



US00D598677S

(12) **United States Design Patent**
Fineberg

(10) **Patent No.:** **US D598,677 S**

(45) **Date of Patent:** **** Aug. 25, 2009**

(54) **COMPACT TABLE**

Primary Examiner—Janice E Seeger

(76) **Inventor:** **Sumner M. Fineberg**, 107 Woodland Dr., Jamestown, NC (US) 27282

(57) **CLAIM**

The ornamental design for a compact table, as shown and described.

(**) **Term:** **14 Years**

(21) **Appl. No.:** **29/322,936**

DESCRIPTION

(22) **Filed:** **Aug. 14, 2008**

(51) **LOC (9) Cl.** **06-03**

FIG. 1 is a top, front, right side perspective view of a table embodying my design;

(52) **U.S. Cl.** **D6/482; D6/483**

FIG. 2 is a top plan view thereof;

(58) **Field of Classification Search** D6/480-489,

FIG. 3 is a bottom plan view thereof;

D6/495-499, 439-431, 423, 477-479; 108/150,

FIG. 4 is a rear elevational view thereof;

108/153.1, 155, 156, 161, 115, 118, 131,

FIG. 5 is a front elevational view thereof;

108/129, 132, 120; 248/188, 188.1, 188.8

FIG. 6 is a left side elevational view thereof;

See application file for complete search history.

FIG. 7 is a right side elevational view thereof;

(56) **References Cited**

FIG. 8 is a view of the table seen in FIG. 5 as along lines 8-8; and,

U.S. PATENT DOCUMENTS

FIG. 9 is a view of the table seen in FIG. 5 as along lines 9-9.

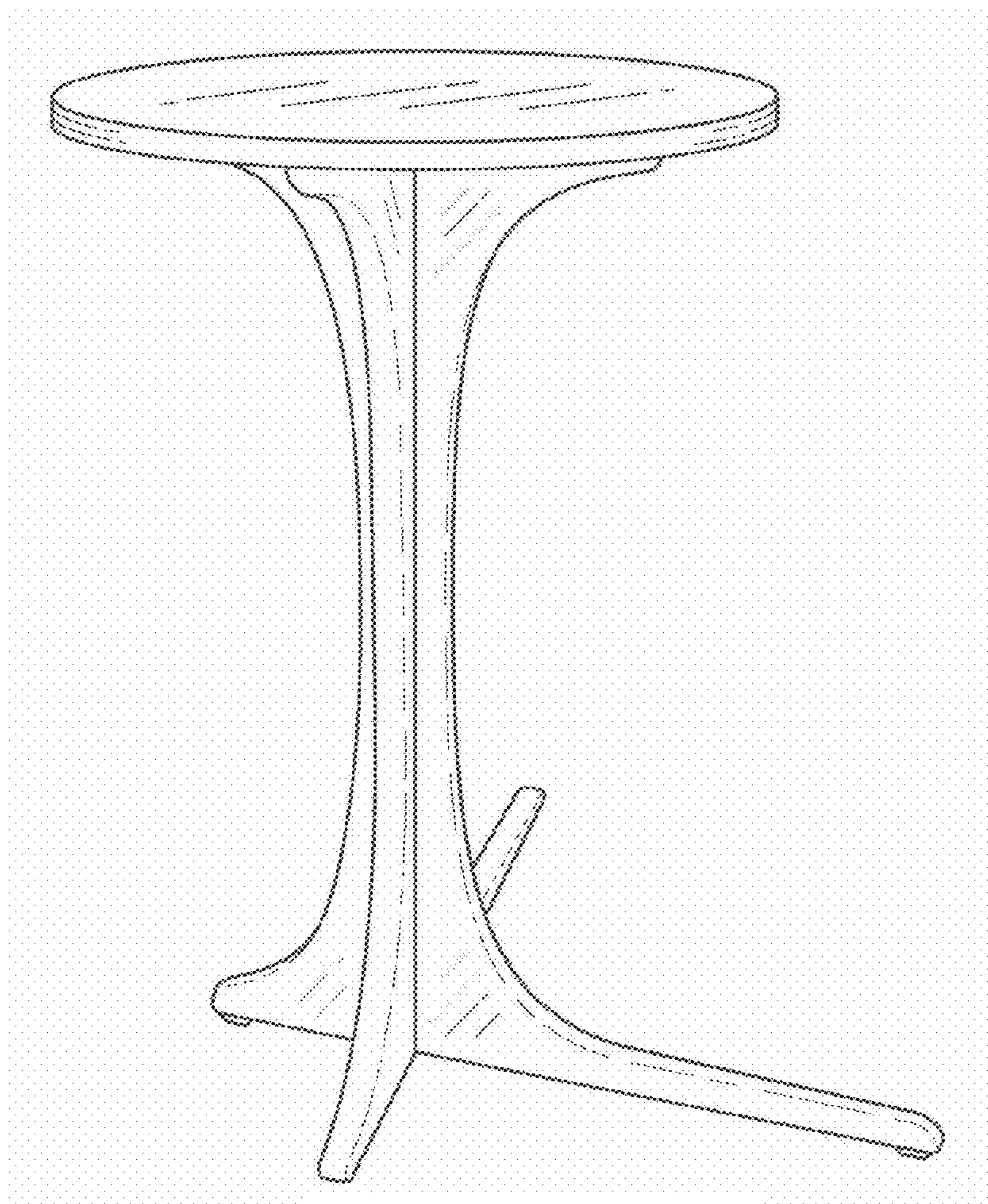
D132,098 S * 4/1942 Corbett D6/420

D359,637 S * 6/1995 Hammie D6/482

D562,036 S * 2/2008 Roberts D6/495

* cited by examiner

1 Claim, 3 Drawing Sheets



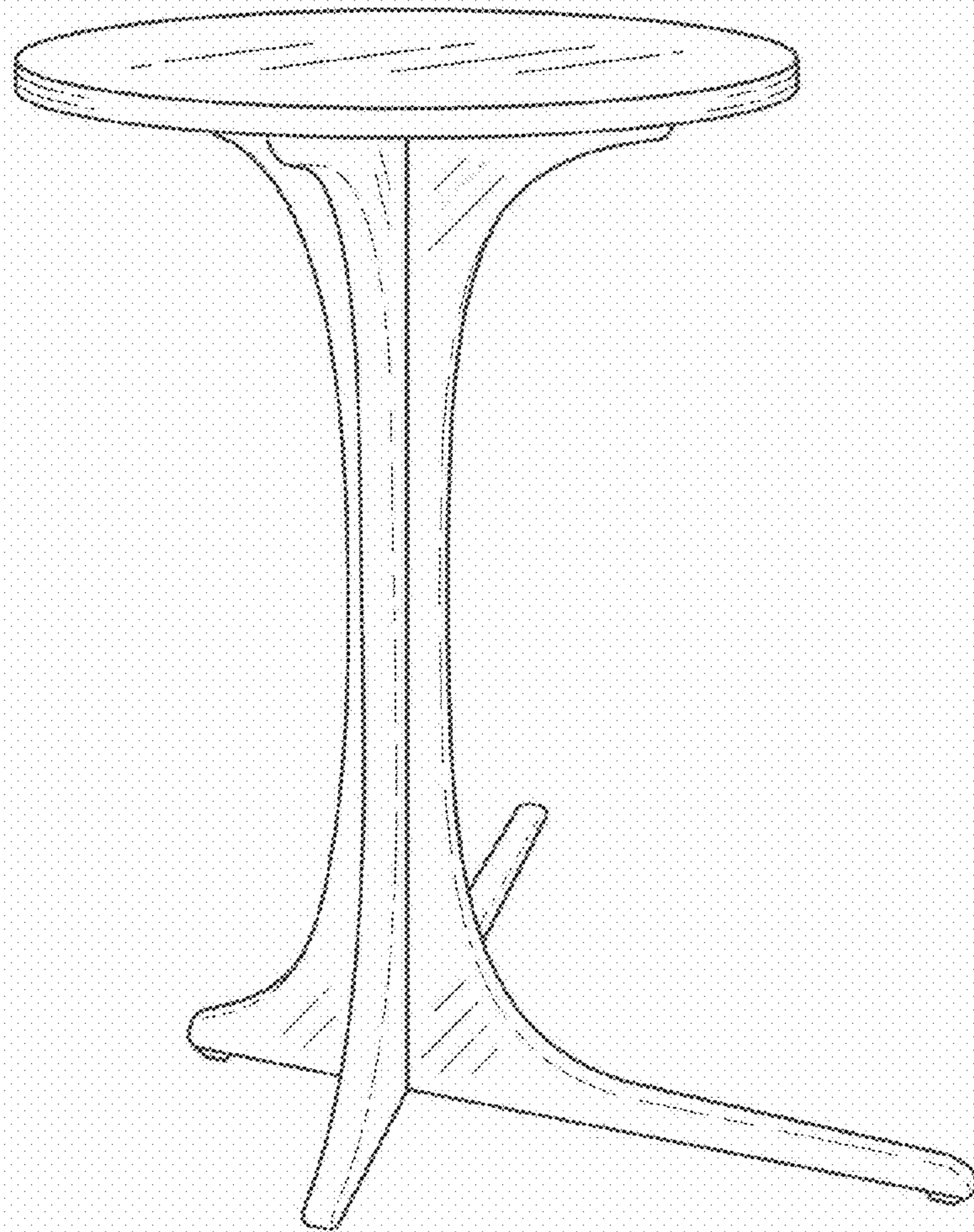


Fig. 1

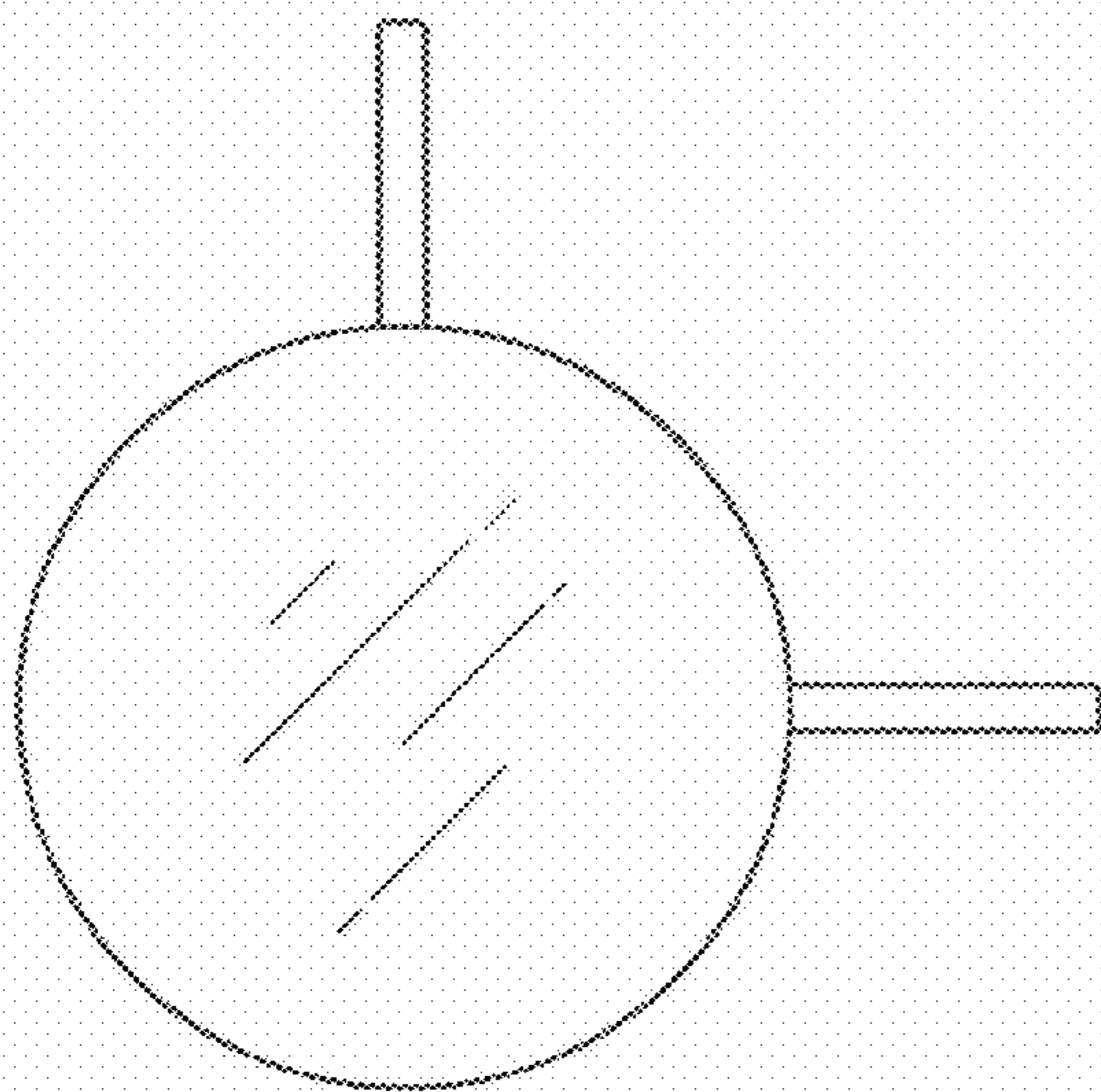


Fig. 2

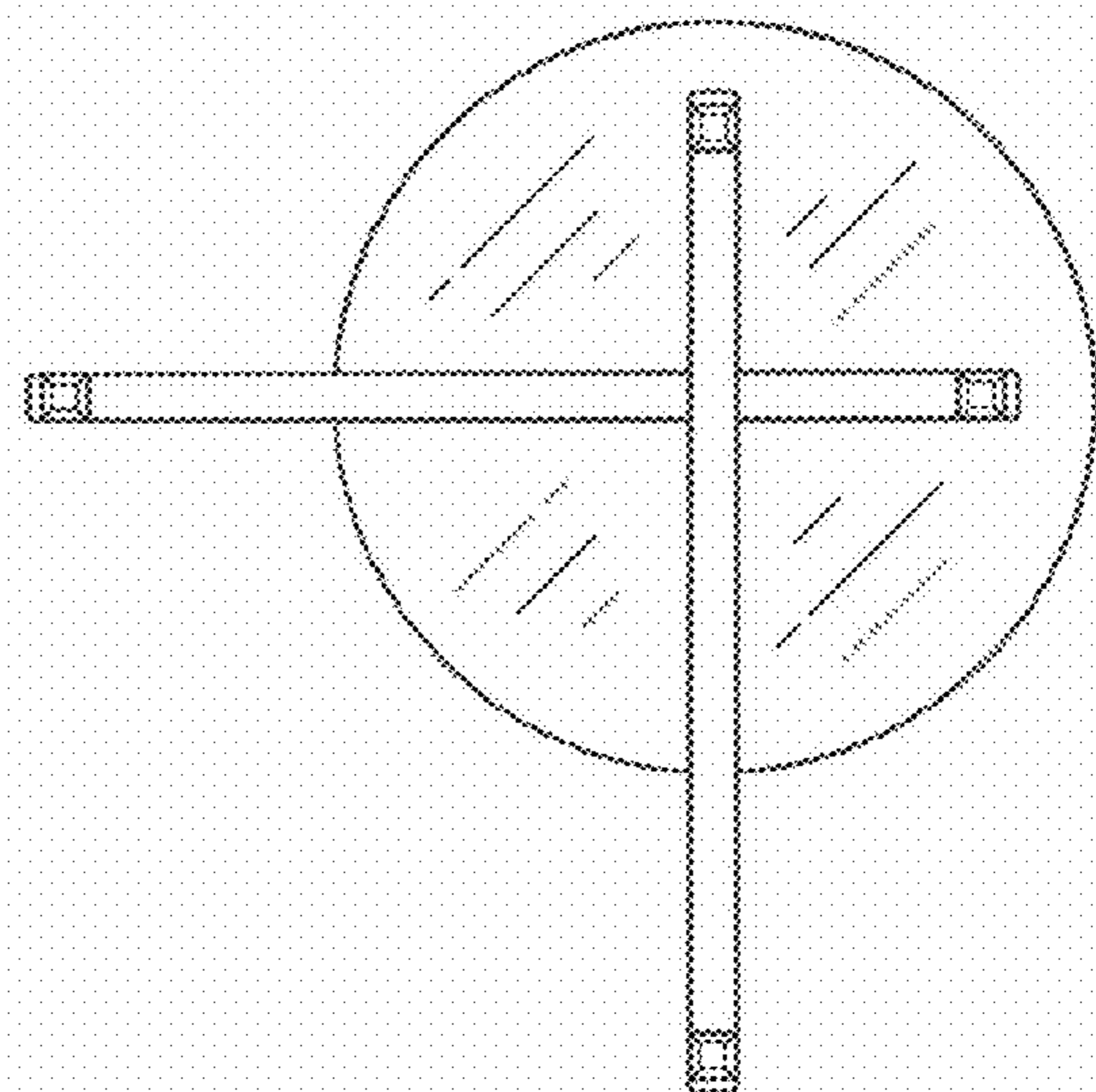


Fig. 3

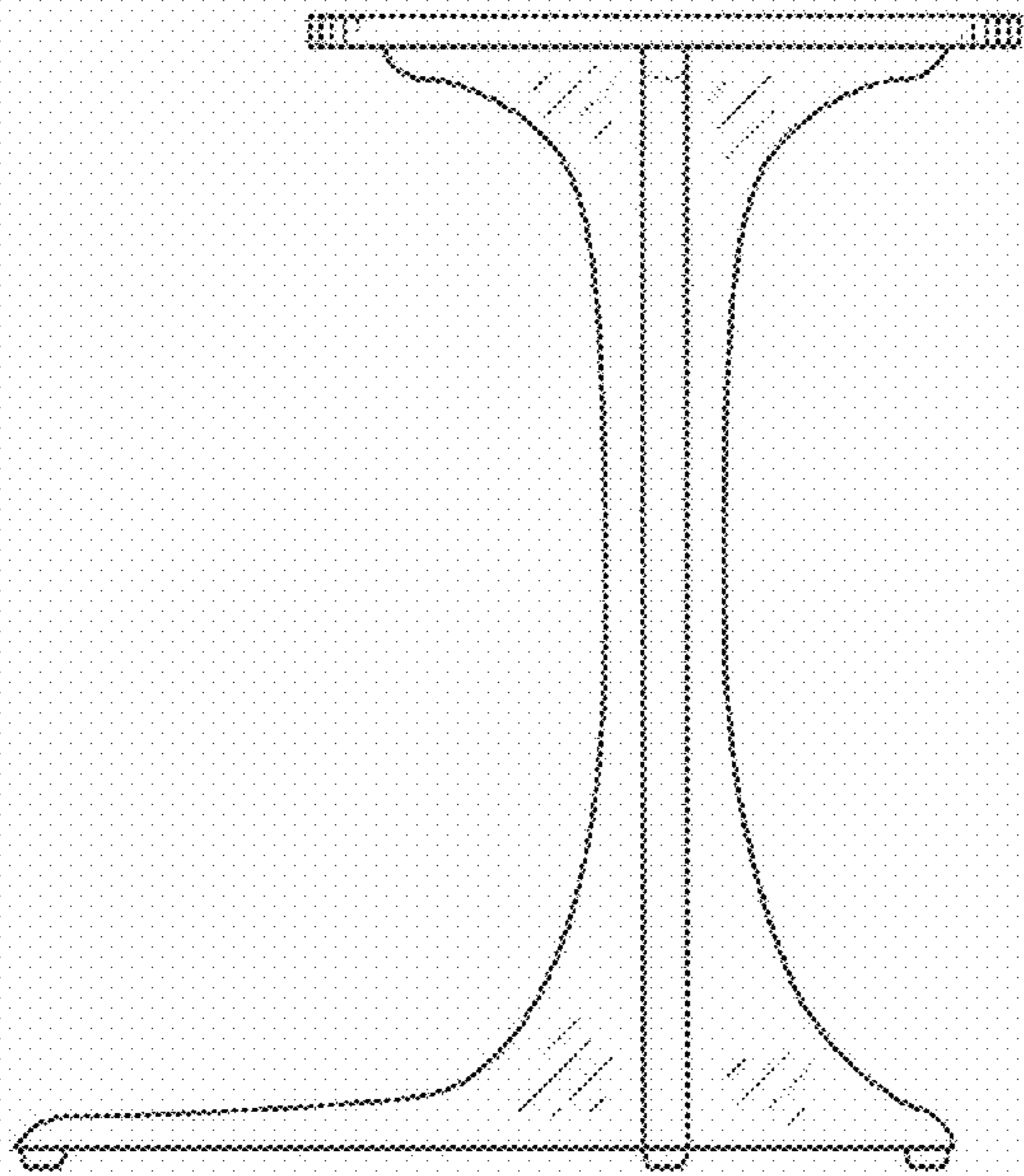


Fig. 4

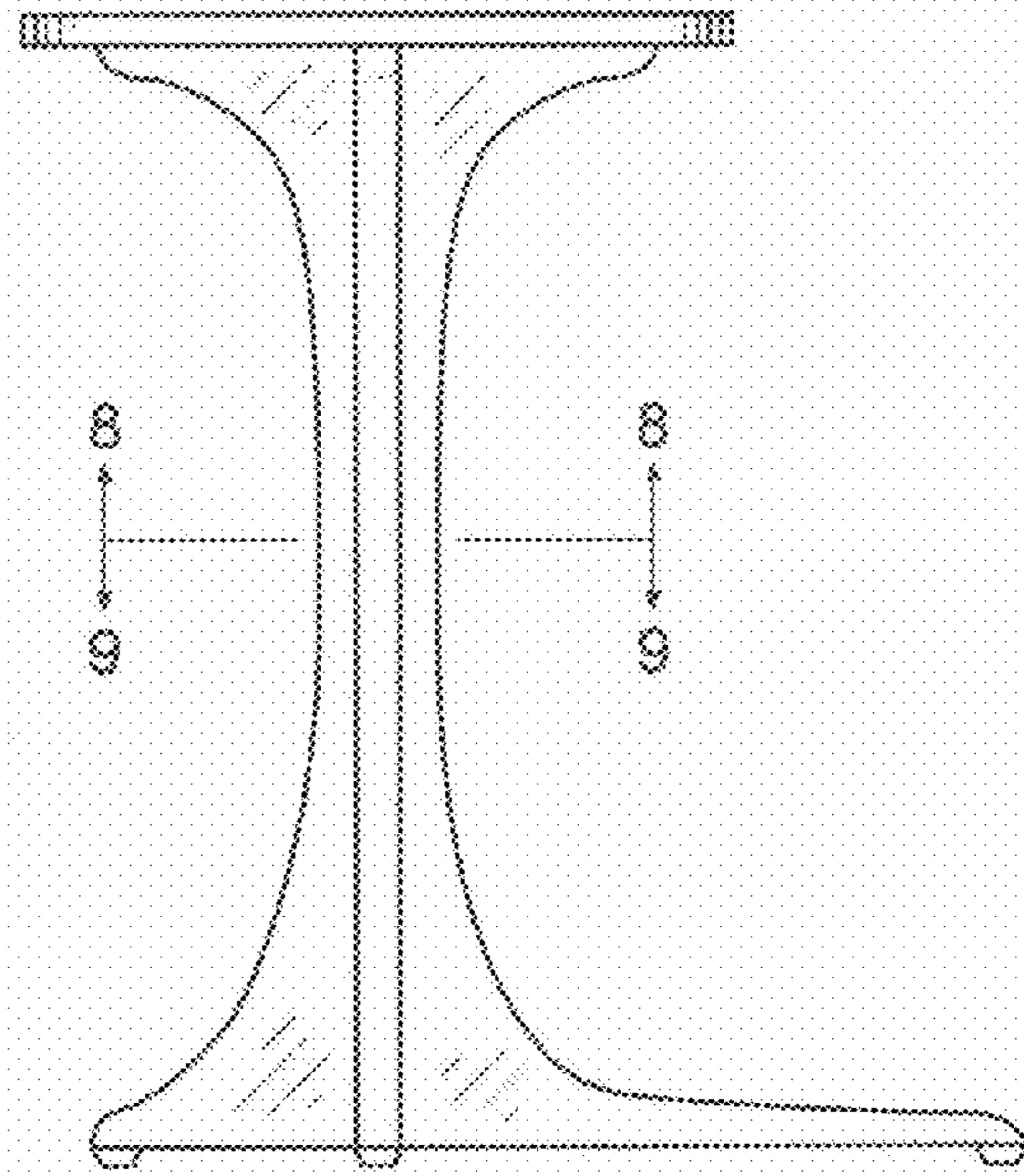


Fig. 5

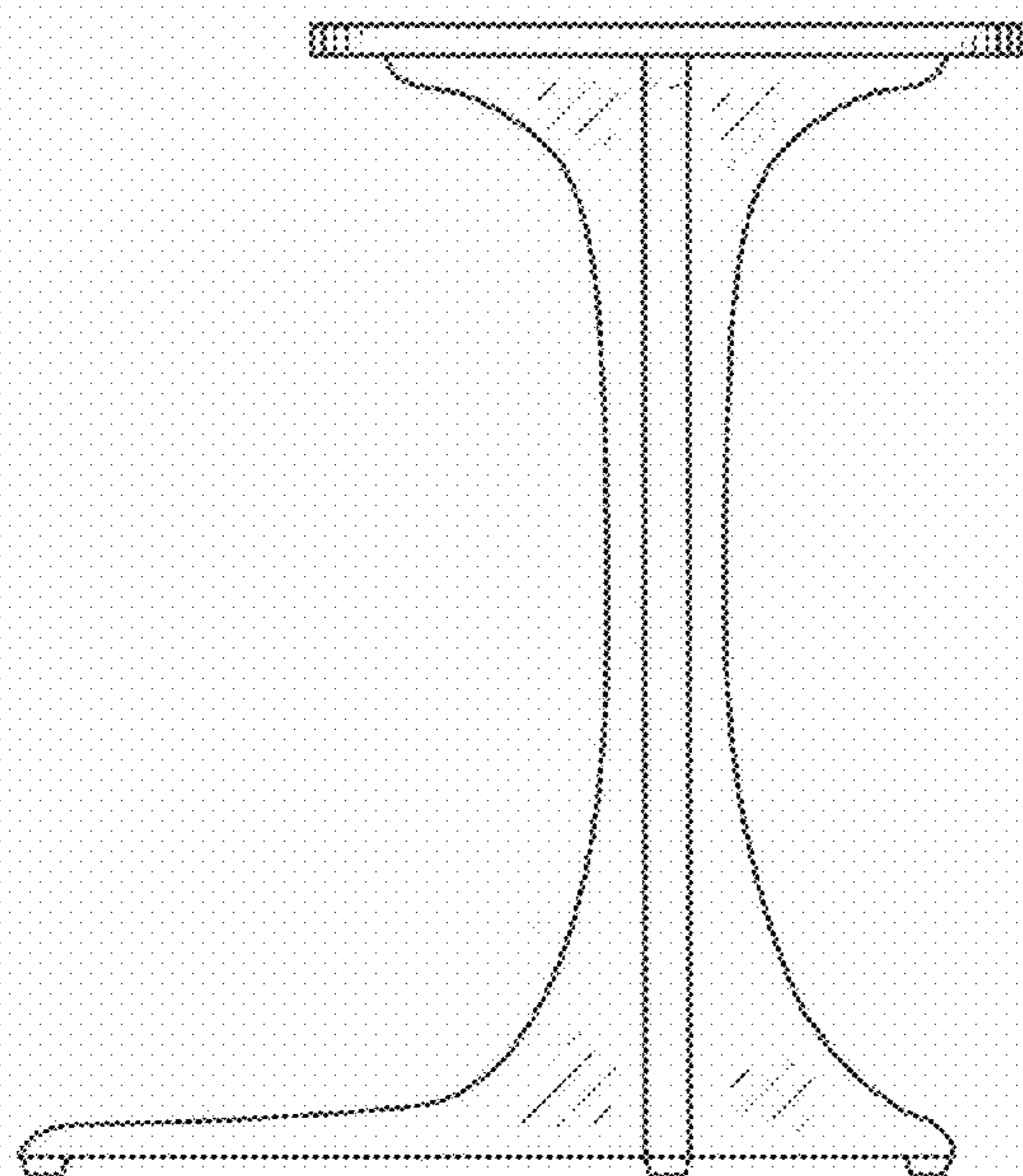


Fig. 6

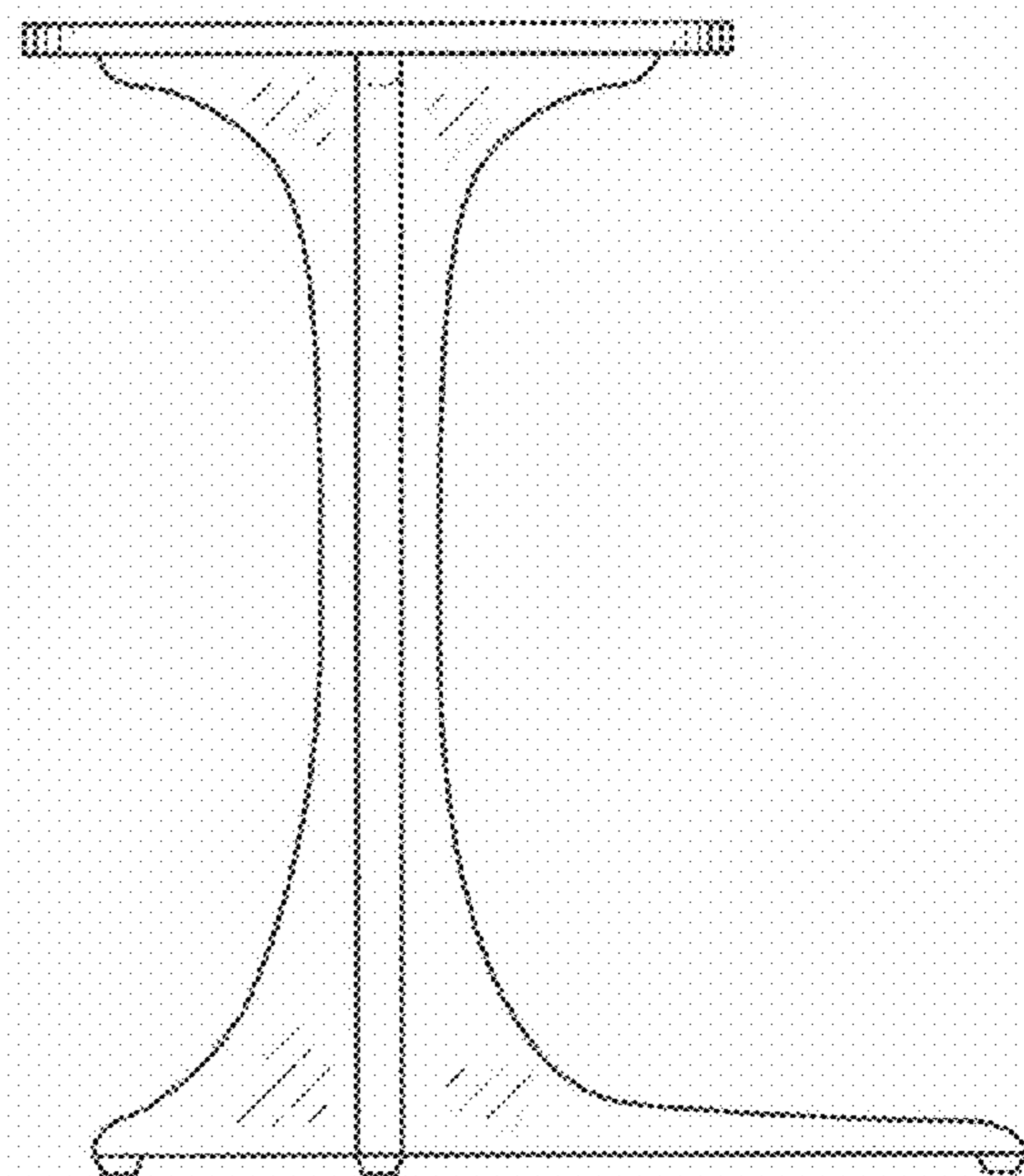


Fig. 7

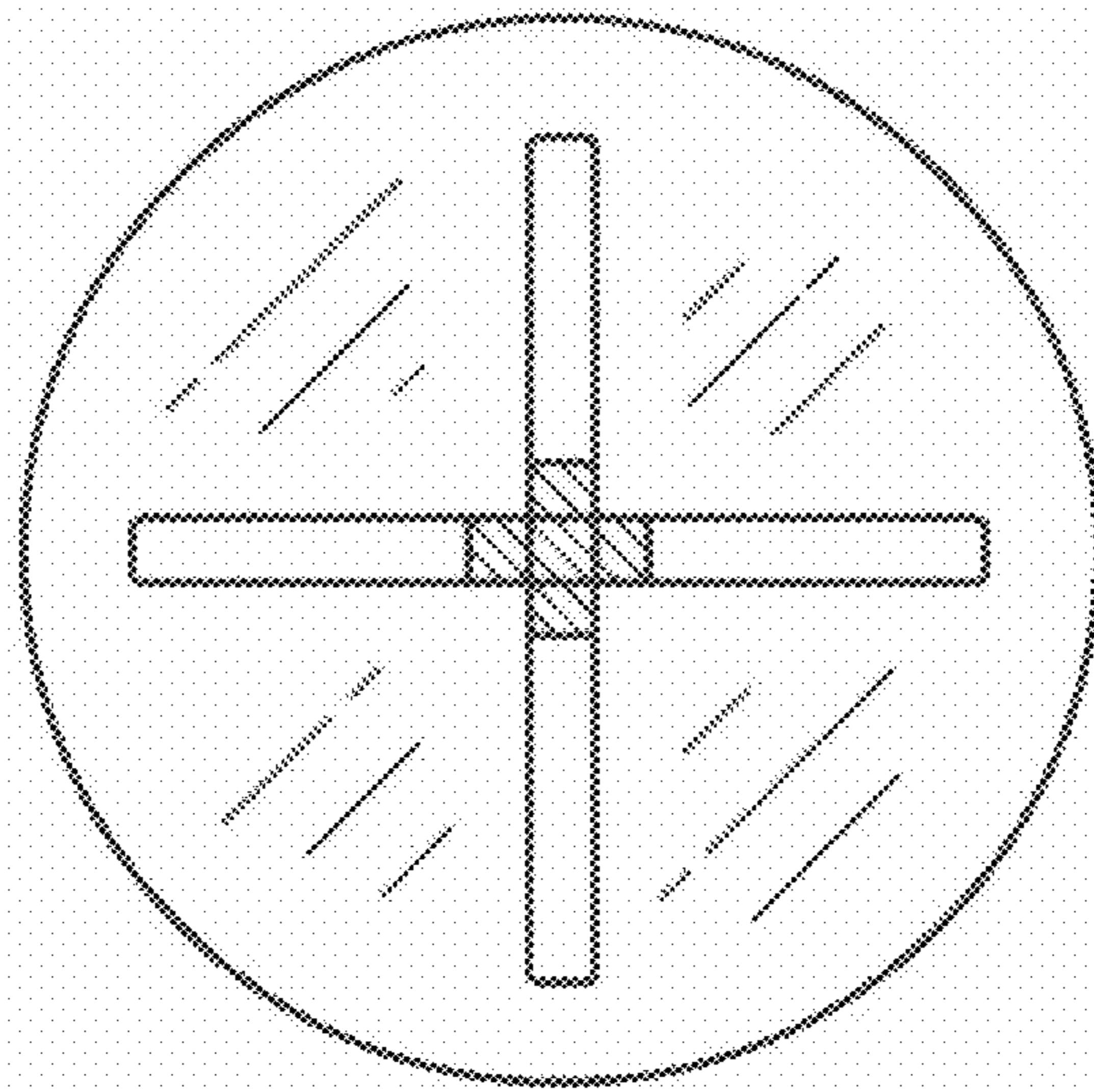


Fig. 8

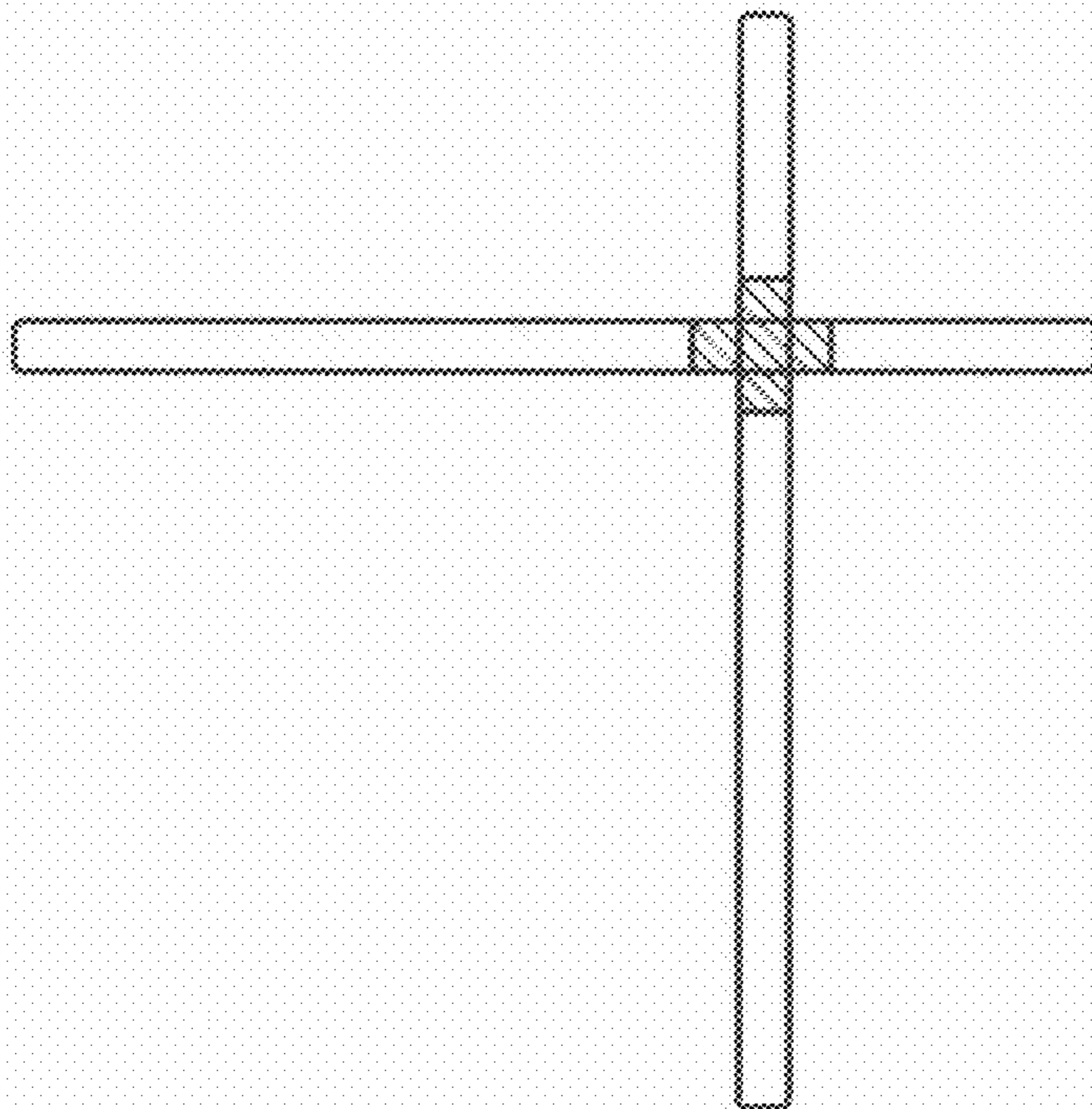


Fig. 9