



US00D598674S

(12) **United States Design Patent**
Frank

(10) **Patent No.:** **US D598,674 S**

(45) **Date of Patent:** **** Aug. 25, 2009**

(54) **HOLDER**

(76) Inventor: **Michael G. Frank**, 1750 Washington St., #6, Boston, MA (US) 02118

(**) Term: **14 Years**

(21) Appl. No.: **29/324,532**

(22) Filed: **Sep. 15, 2008**

(51) **LOC (9) Cl.** **06-04**

(52) **U.S. Cl.** **D6/479**

(58) **Field of Classification Search** D6/449,
D6/479, 511, 420, 475-476, 477-478; D19/92;
108/15, 59-60, 86, 92-83, 182; 211/126,
211/133-135

See application file for complete search history.

(56) **References Cited**

U.S. PATENT DOCUMENTS

4,074,810	A *	2/1978	Juergens et al.	211/11
D249,048	S *	8/1978	Drell et al.	D19/92
D261,904	S *	11/1981	Polhemus	D19/92
D293,493	S *	12/1987	Garr	D6/449
D318,729	S	7/1991	Zachry	D24/227
D335,560	S *	5/1993	Fennell, Jr.	D34/5
D377,128	S *	1/1997	Baker	D6/479
D426,576	S *	6/2000	Bruner	D19/78
D436,276	S	1/2001	Fiegl et al.	D6/553
D445,617	S *	7/2001	Von Gunten et al.	D6/511
D453,651	S	2/2002	Snell	D6/553

D478,632	S *	8/2003	Chen	D19/87
D534,700	S	1/2007	Sellers et al.	D32/55
D553,820	S	10/2007	Baumgart et al.	D32/58
D559,850	S *	1/2008	Lye	D14/447
D563,708	S	3/2008	Snell	D6/566
D579,234	S *	10/2008	Decarlo et al.	D6/449

* cited by examiner

Primary Examiner—Elizabeth A Albert

Assistant Examiner—Kelley A Donnelly

(74) *Attorney, Agent, or Firm*—Greenberg Traurig, LLP; David J. Dykeman; Amy F. Mendel

(57) **CLAIM**

The ornamental design for a holder, as shown and described.

DESCRIPTION

FIG. 1 is a perspective view of a holder;

FIG. 2 is a front view of the embodiment of FIG. 1;

FIG. 3 is a back view of the embodiment of FIG. 1;

FIG. 4 is a top view of the embodiment of FIG. 1;

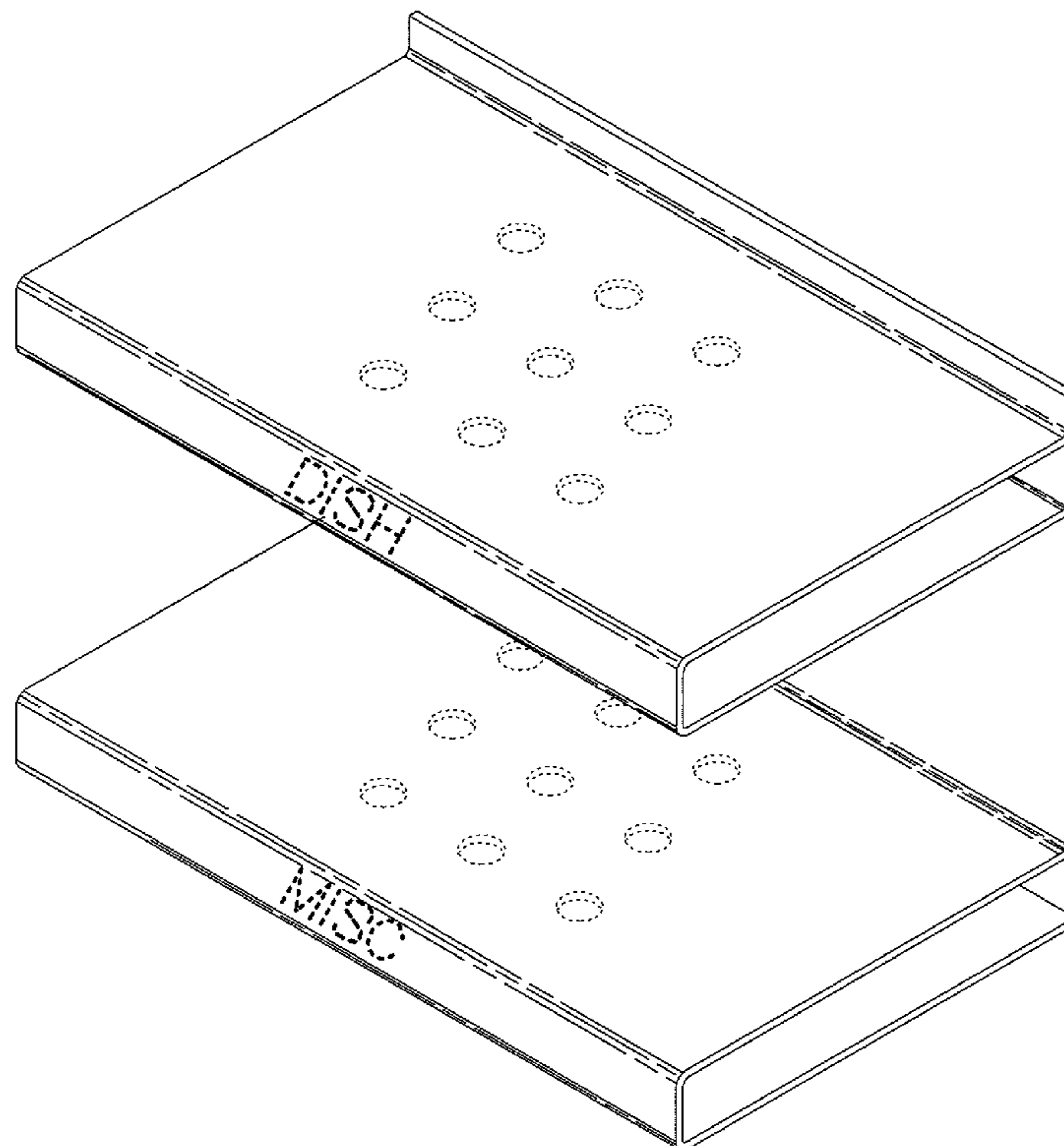
FIG. 5 is a bottom view of the embodiment of FIG. 1;

FIG. 6 is a left side view of the embodiment of FIG. 1; and,

FIG. 7 is a right side view of the embodiment of FIG. 1.

The broken line showing of the labels, drain holes, mounting holes and feet are for environmental purposes only and form no part of the claimed design.

1 Claim, 7 Drawing Sheets



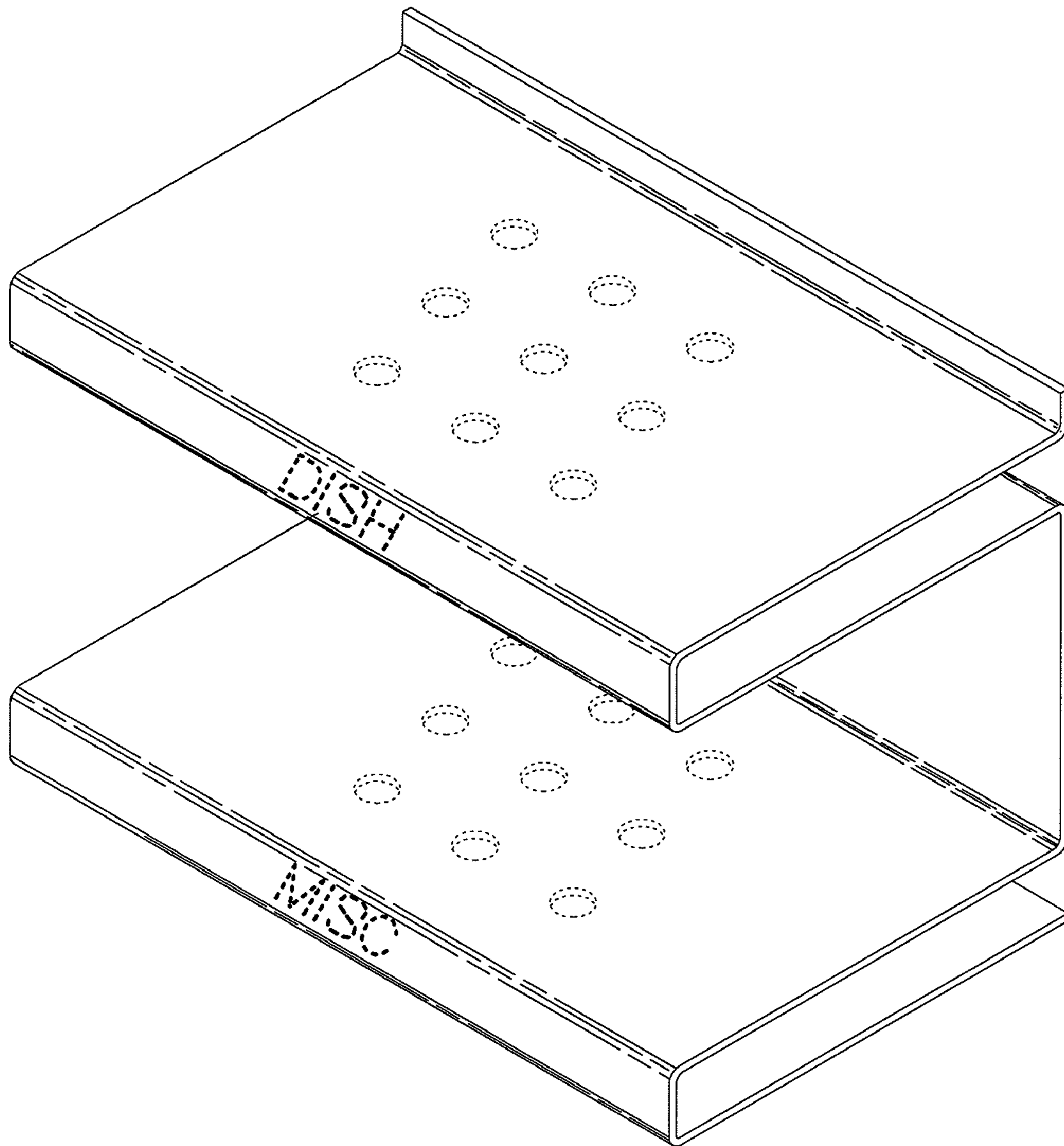


FIG. 1

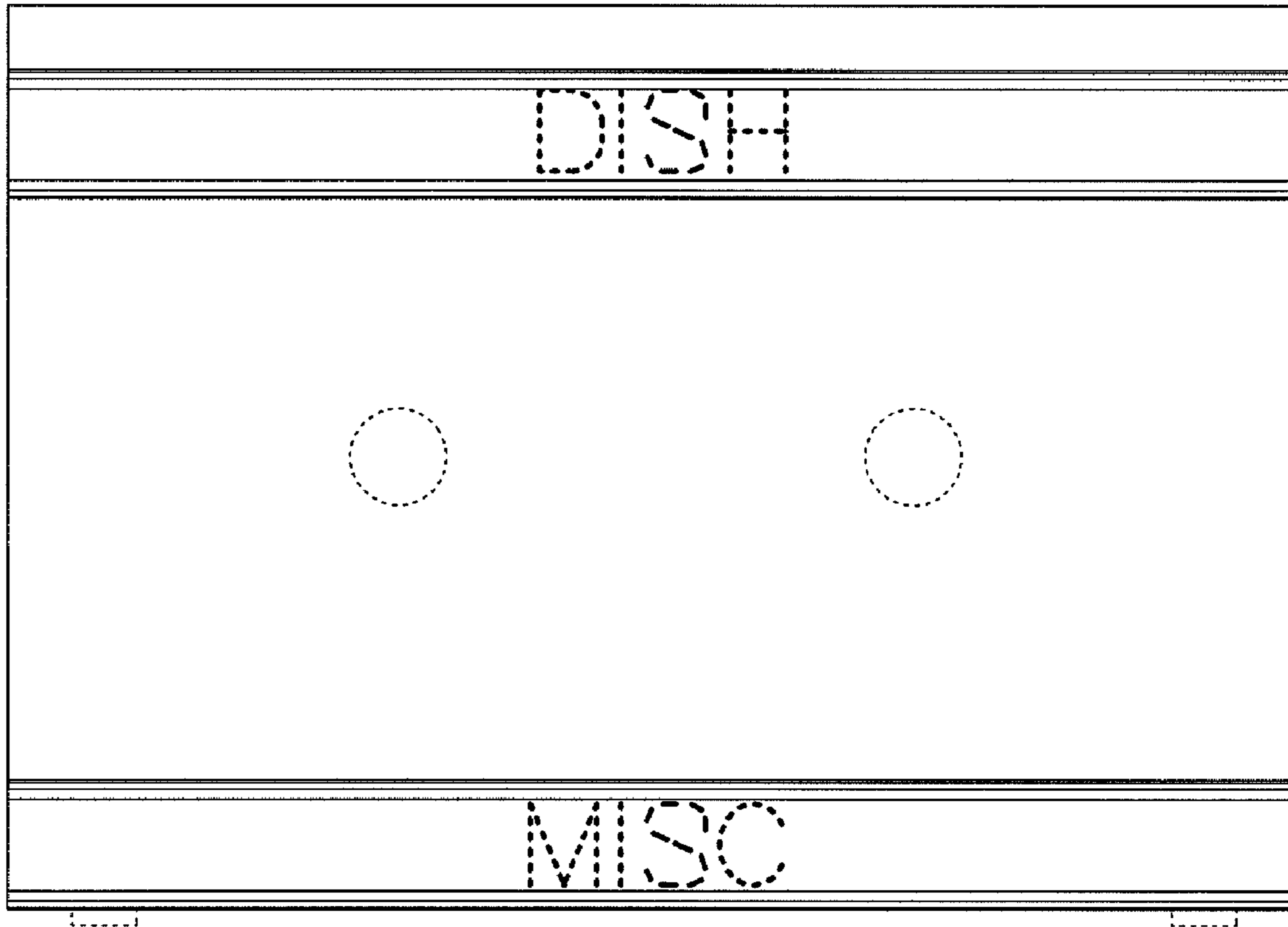


FIG. 2

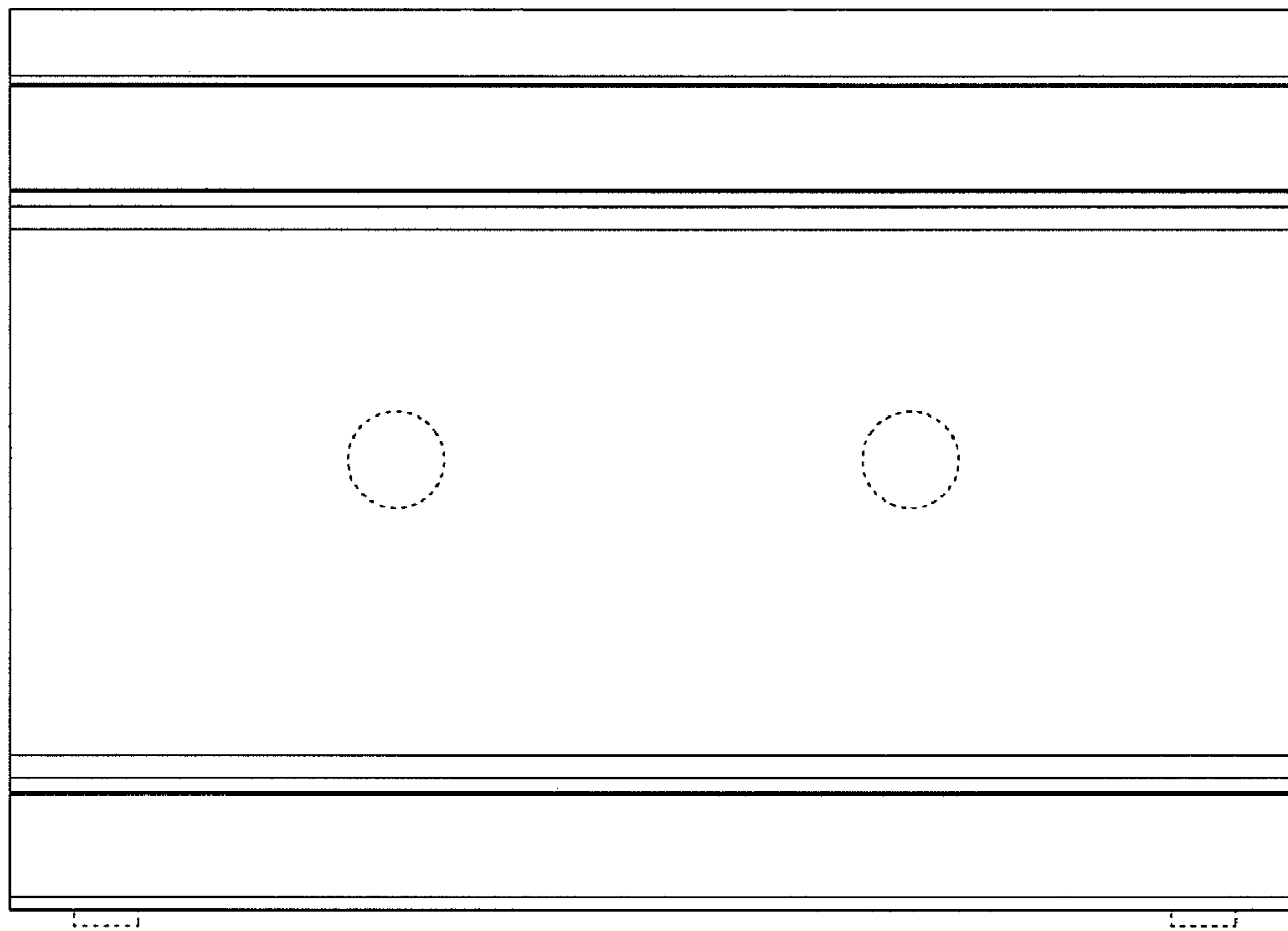


FIG. 3

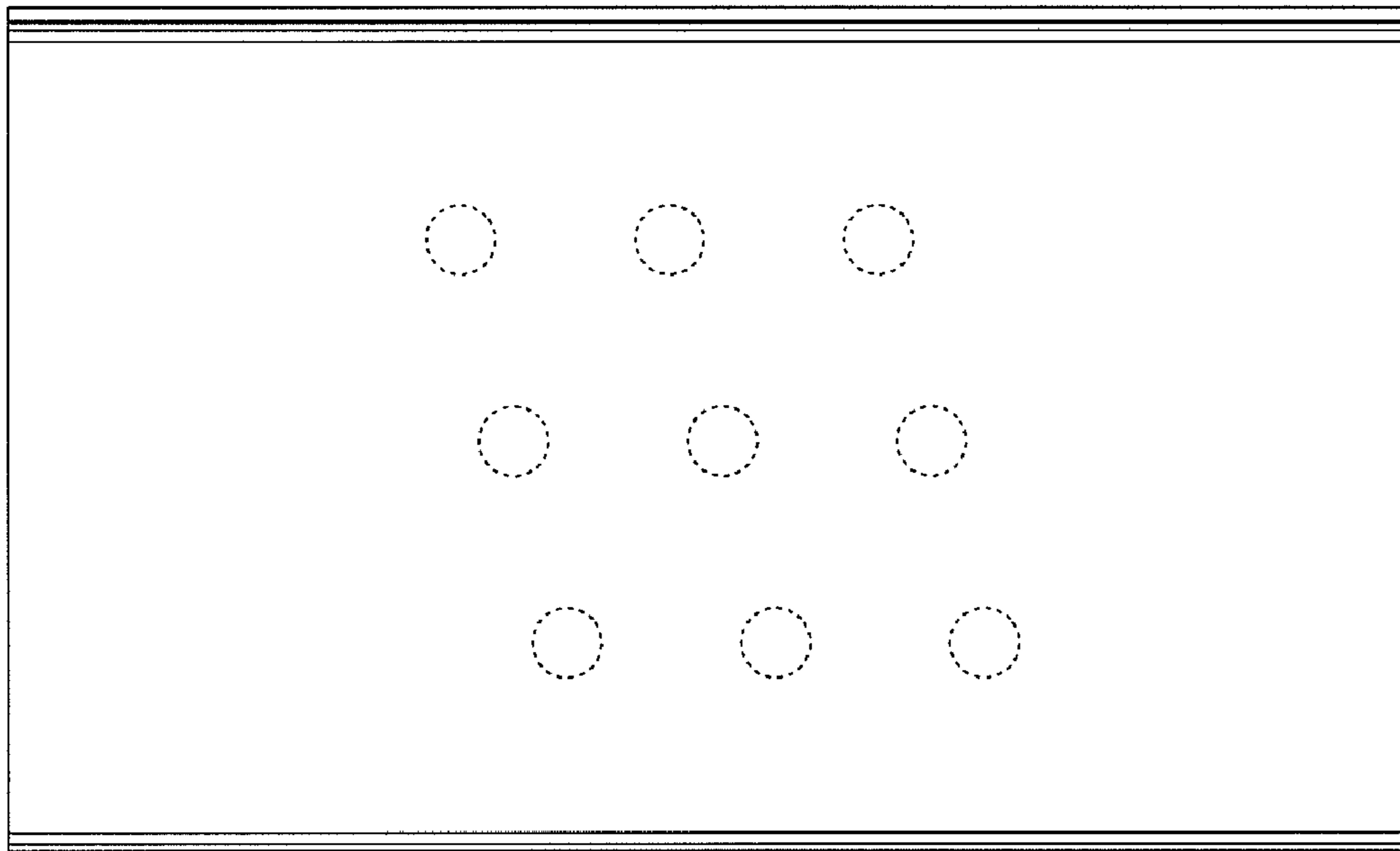


FIG. 4

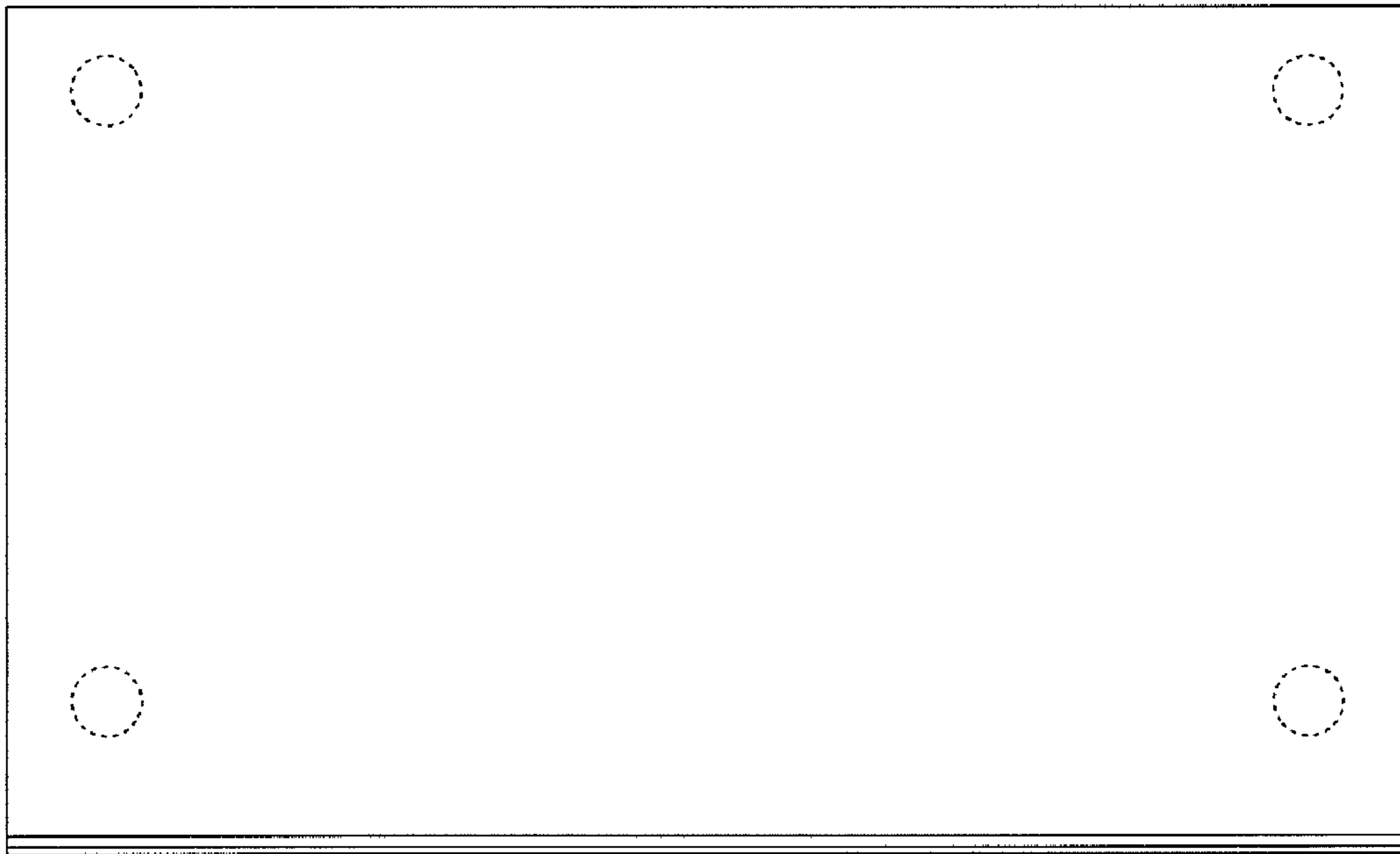


FIG. 5

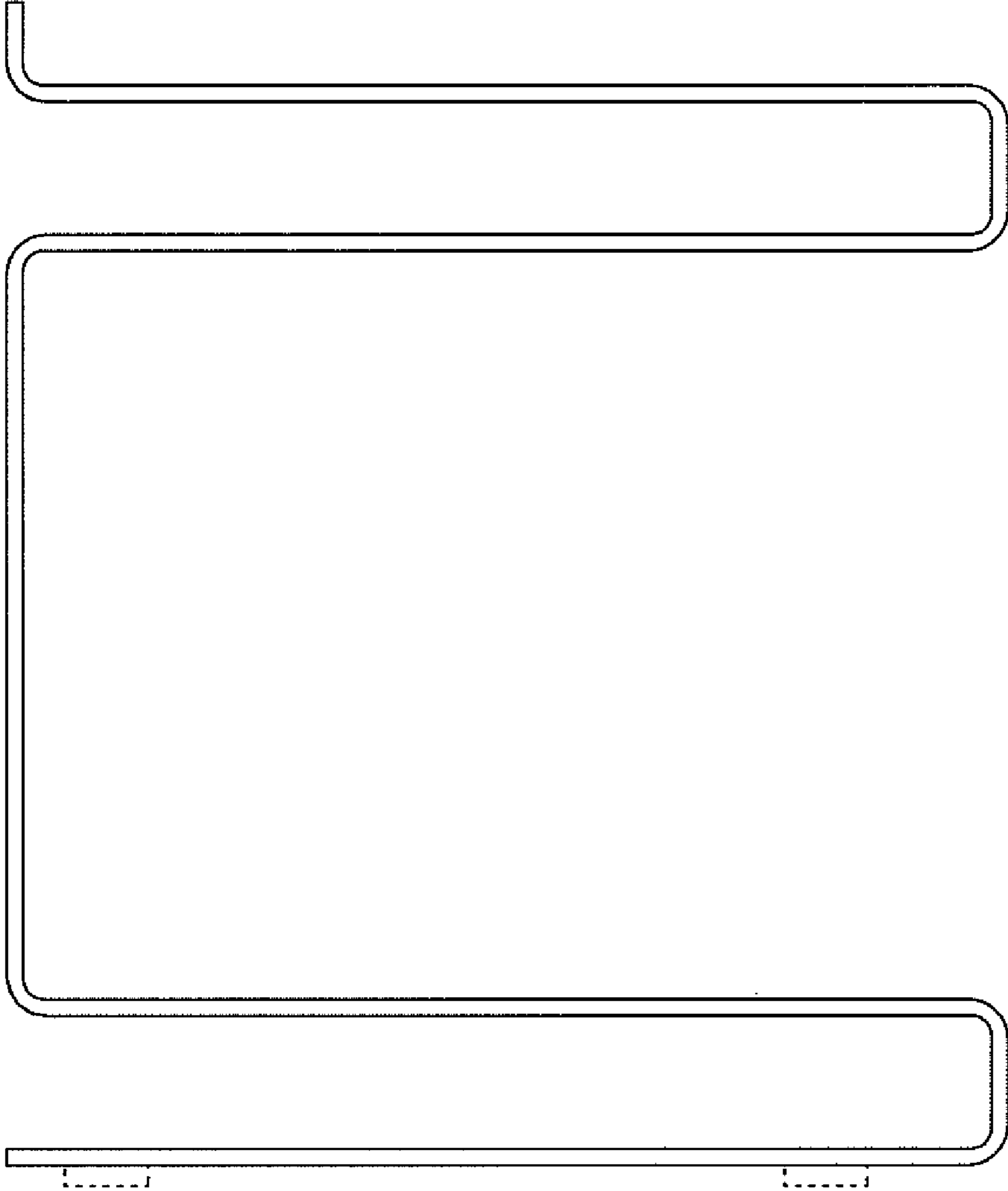


FIG. 6

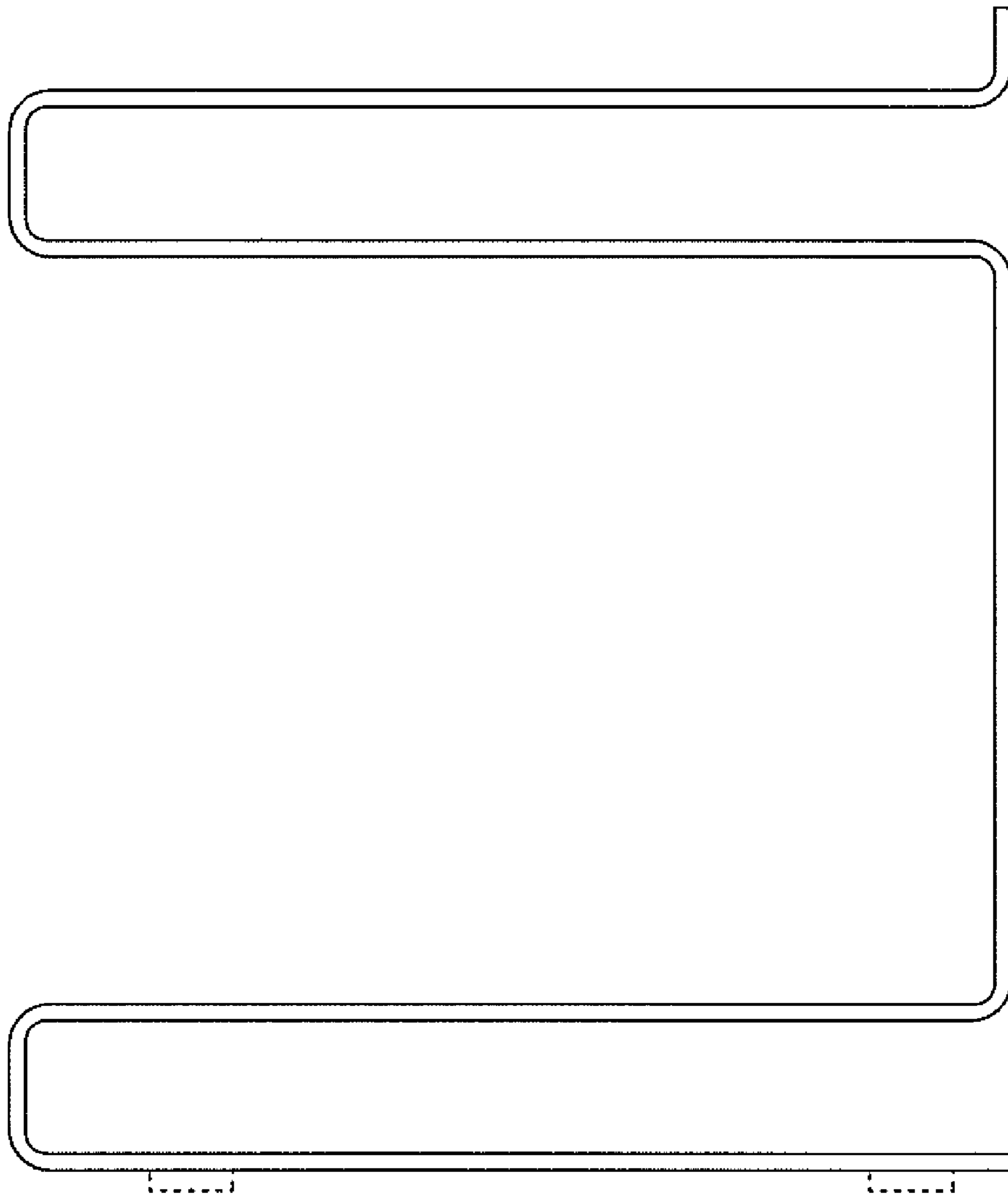


FIG. 7