



US00D598672S

(12) **United States Design Patent**  
**Maly**

(10) **Patent No.:** **US D598,672 S**

(45) **Date of Patent:** **\*\* Aug. 25, 2009**

(54) **CHEST**

(75) Inventor: **Peter Maly**, Aumuhle (DE)

(73) Assignee: **Roset S.A.** (FR)

(\*\*) Term: **14 Years**

(21) Appl. No.: **29/321,236**

(22) Filed: **Jul. 14, 2008**

(30) **Foreign Application Priority Data**

Jan. 14, 2008 (FR) ..... 000 857 511-0002

(51) **LOC (9) Cl.** ..... **06-04**

(52) **U.S. Cl.** ..... **D6/445**

(58) **Field of Classification Search** ..... D6/432,  
D6/436, 440, 441, 444, 445-448, 470, 477-479;  
312/114, 204, 224, 257.1, 278, 279  
See application file for complete search history.

(56) **References Cited**

**U.S. PATENT DOCUMENTS**

- D183,577 S \* 9/1958 McCarthy et al. .... D6/446
- D220,442 S \* 4/1971 Beavers ..... D6/445
- D242,101 S \* 11/1976 Stirling ..... D6/440
- D293,177 S \* 12/1987 Hamami ..... D6/446
- D325,831 S \* 5/1992 Rosen ..... D6/446
- D362,763 S \* 10/1995 Ball ..... D6/436
- D446,047 S \* 8/2001 Stone et al. .... D6/445

- D519,299 S \* 4/2006 Boudreau ..... D6/436
- D522,773 S \* 6/2006 Becker ..... D6/470
- D554,393 S \* 11/2007 Yalif ..... D6/470
- D559,585 S \* 1/2008 Lara ..... D6/436
- D560,930 S \* 2/2008 Woodward et al. .... D6/446

\* cited by examiner

*Primary Examiner*—Mimosa De

(74) *Attorney, Agent, or Firm*—Cantor Colburn LLP

(57) **CLAIM**

I claim, the ornamental design for a chest, as shown and described.

**DESCRIPTION**

FIG. 1 is a front perspective view of a chest showing my new design;

FIG. 2 is a rear perspective view thereof;

FIG. 3 is a side view thereof showing the chest in an open position;

FIG. 4 is a top plan view thereof;

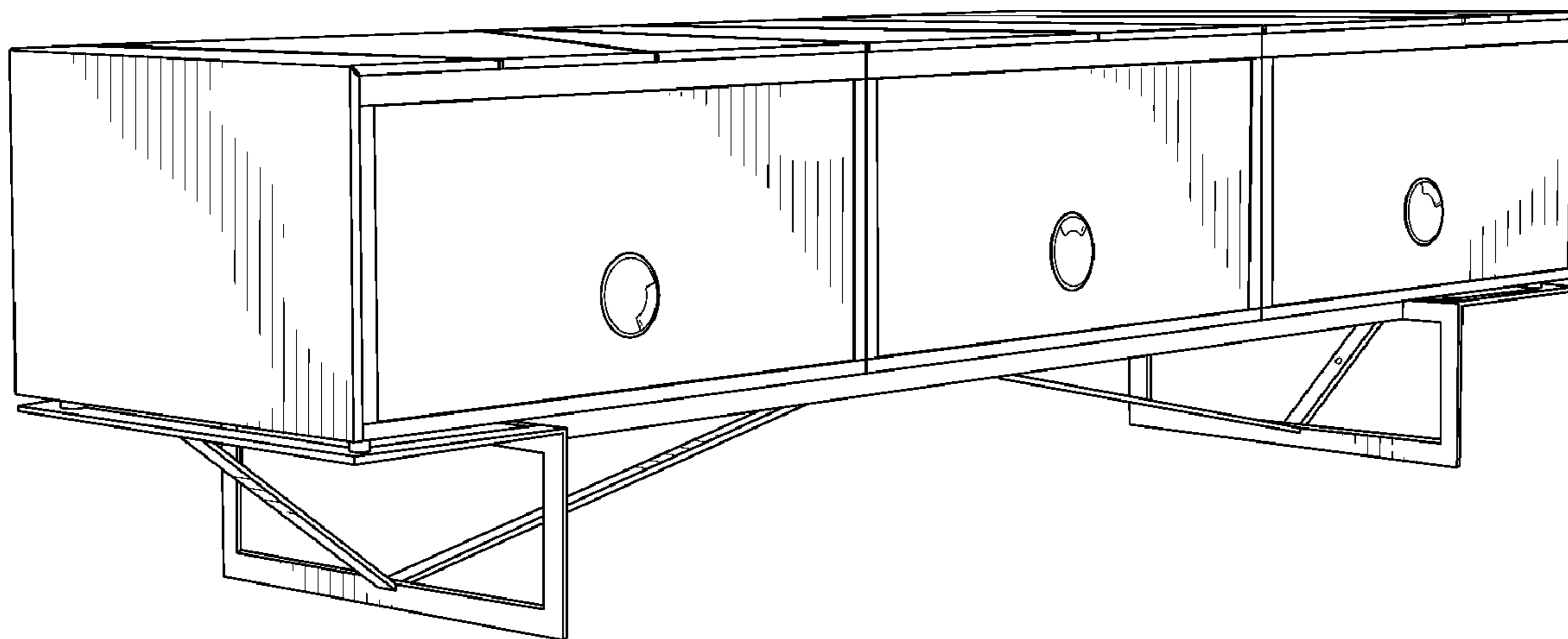
FIG. 5 is a front view thereof;

FIG. 6 is a side view thereof, the opposite side being a mirror image thereof;

FIG. 7 is a rear view thereof; and,

FIG. 8 is a side view thereof showing the chest in an alternate open configuration.

**1 Claim, 8 Drawing Sheets**



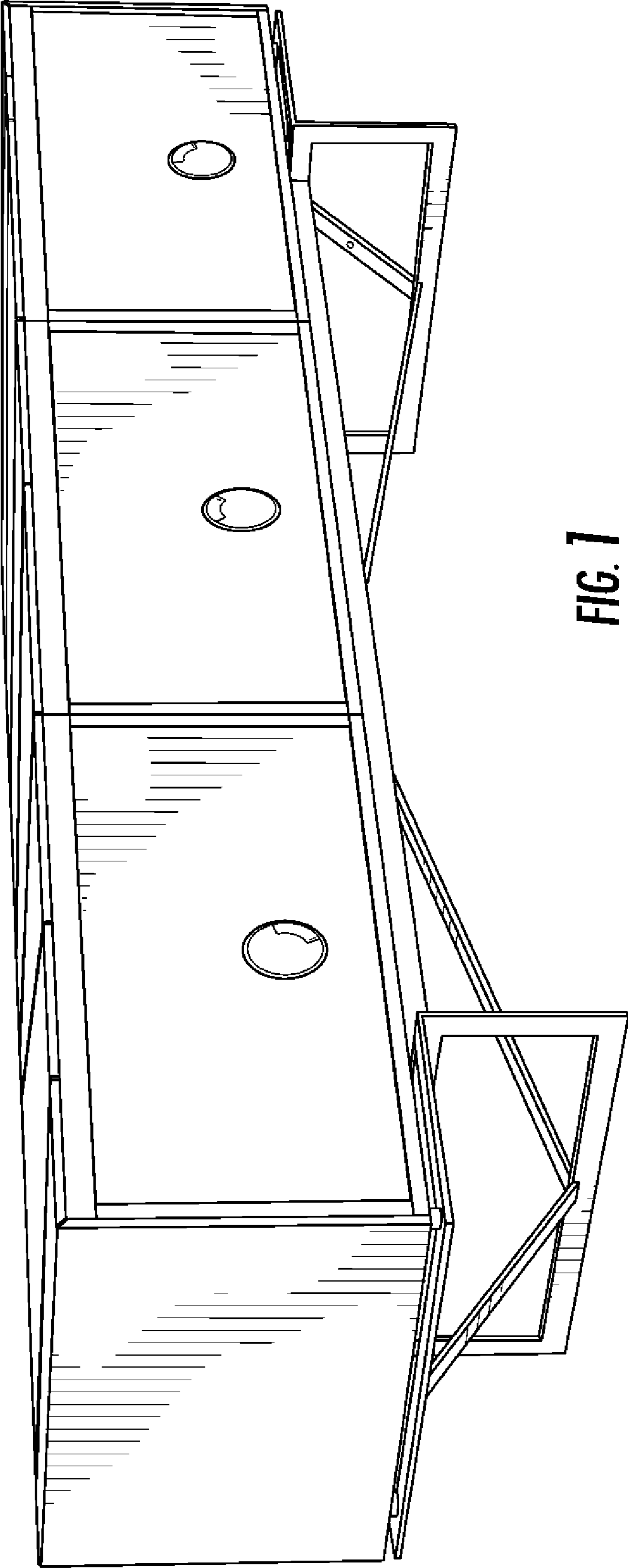


FIG. 1

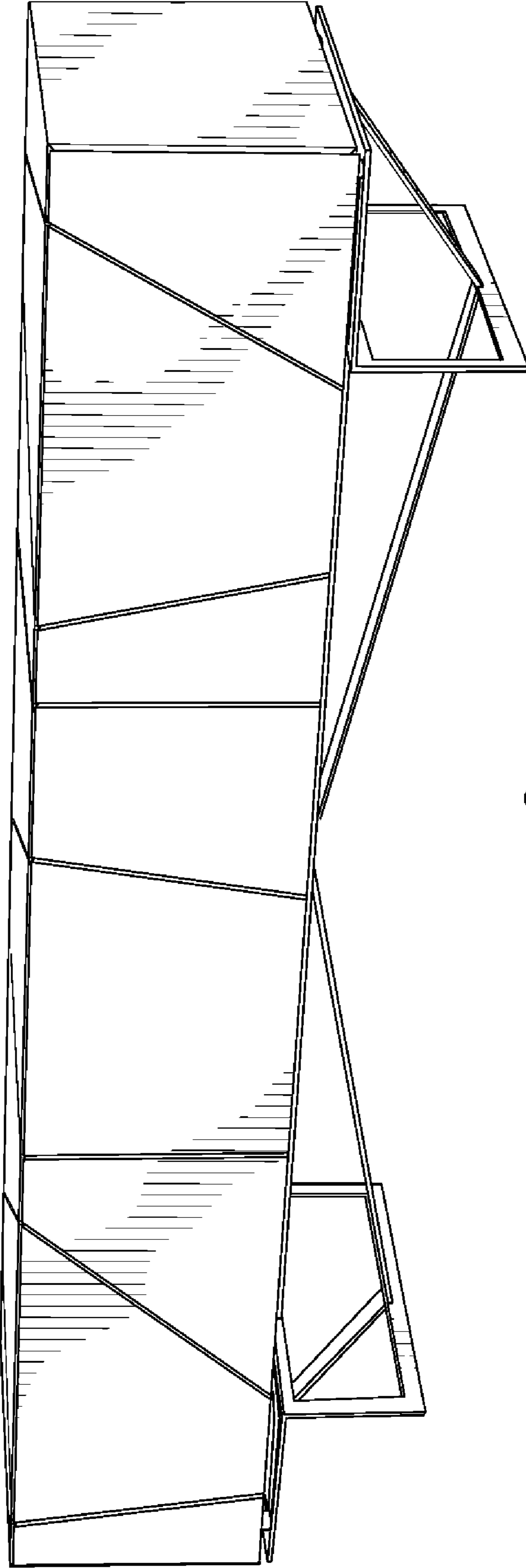
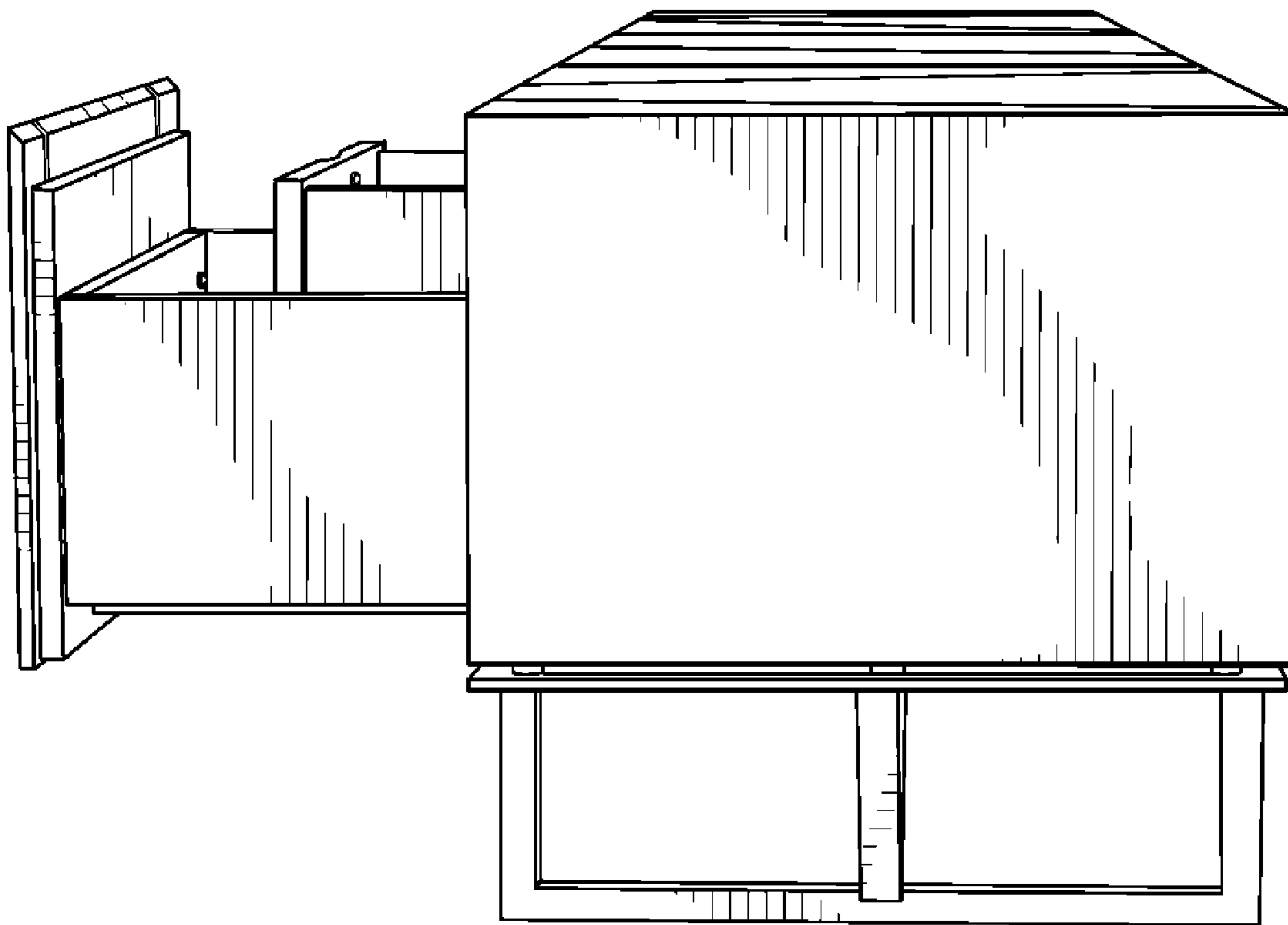


FIG. 2



**FIG. 3**

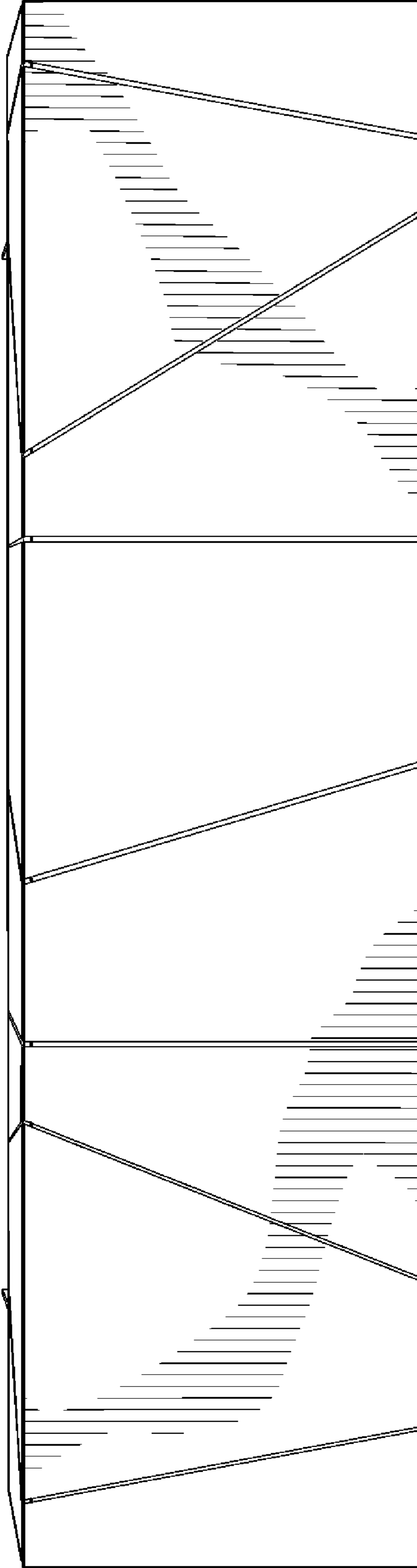


FIG. 4

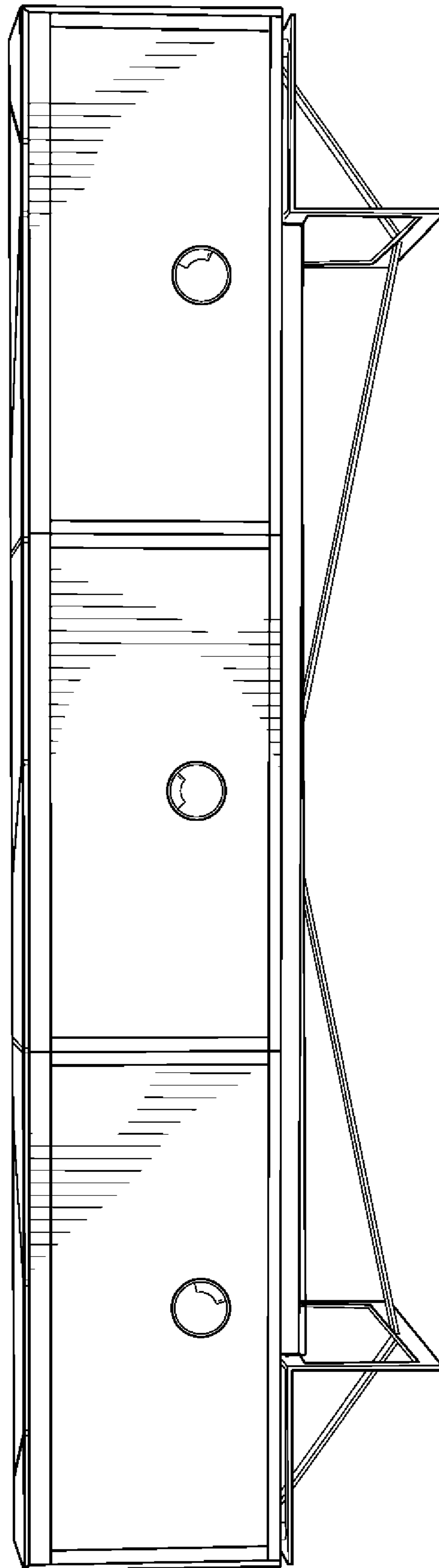
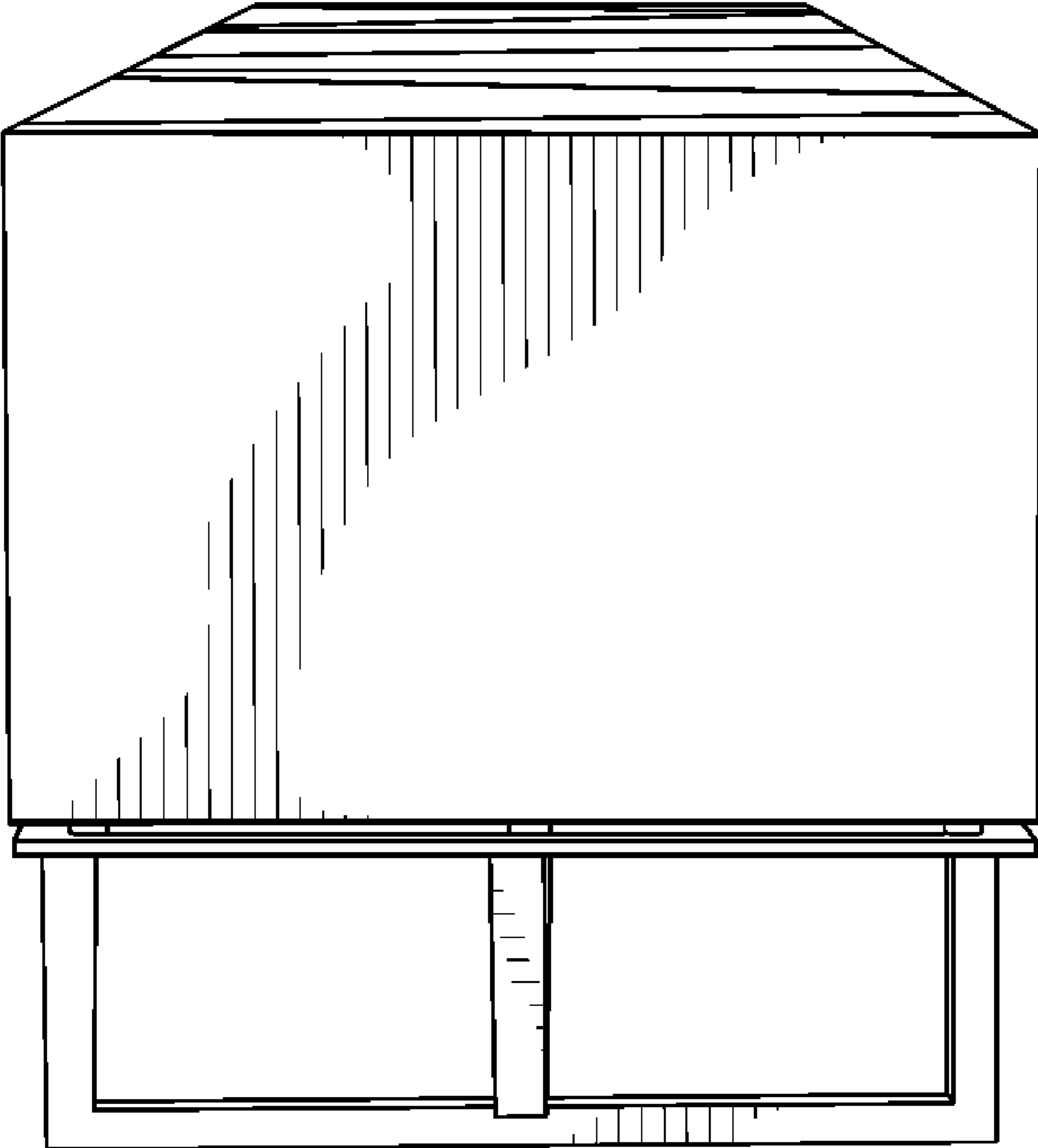


FIG. 5



**FIG. 6**

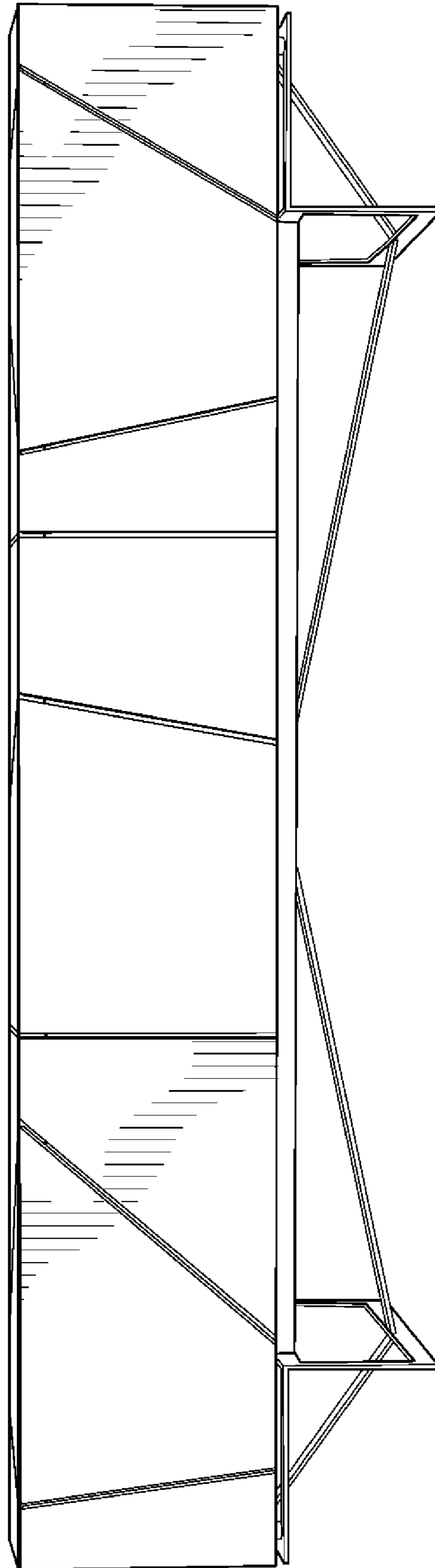
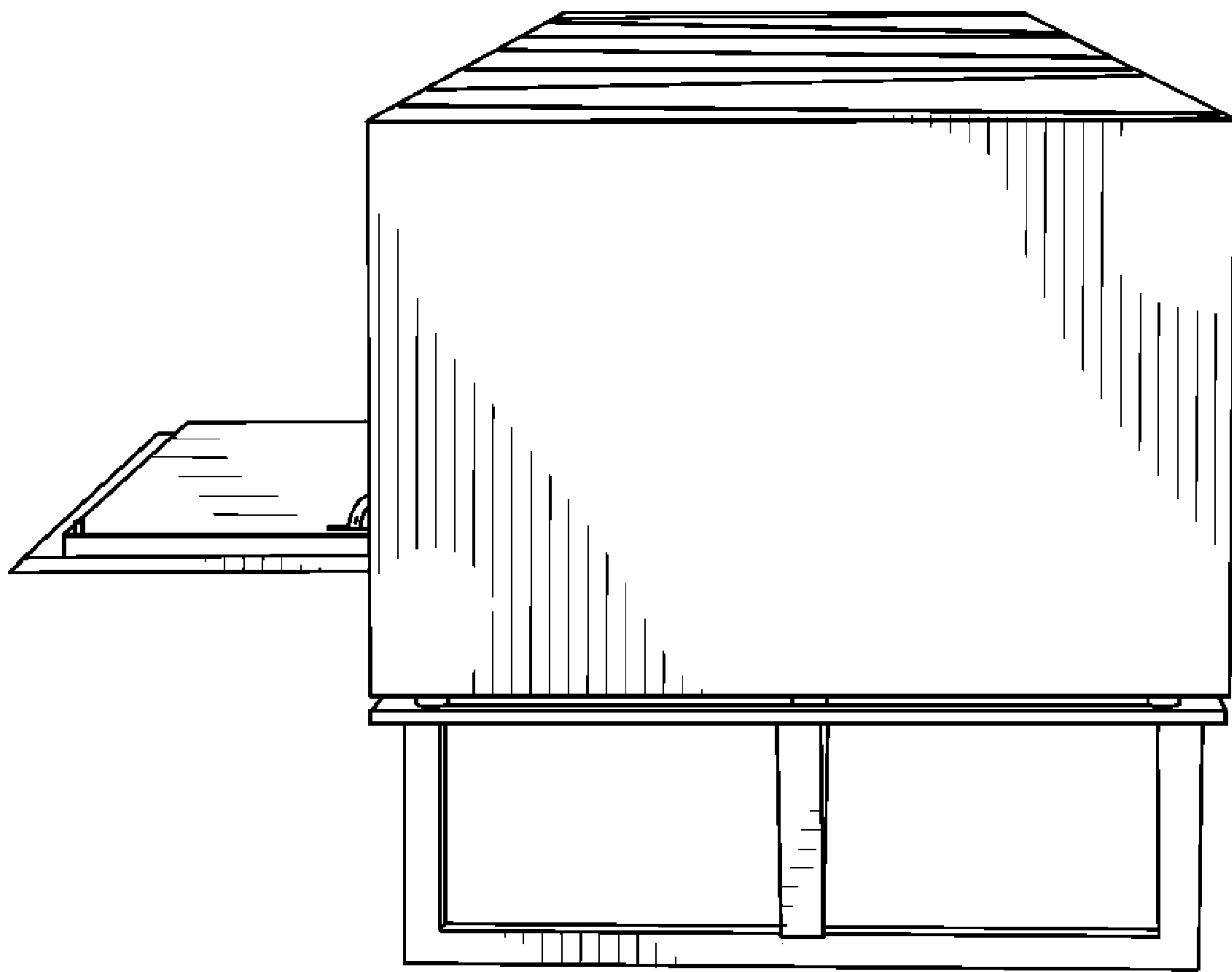


FIG. 7





**FIG. 8**

UNITED STATES PATENT AND TRADEMARK OFFICE  
**CERTIFICATE OF CORRECTION**

PATENT NO. : D598,672 S  
APPLICATION NO. : 29/321236  
DATED : August 25, 2009  
INVENTOR(S) : Peter Maly

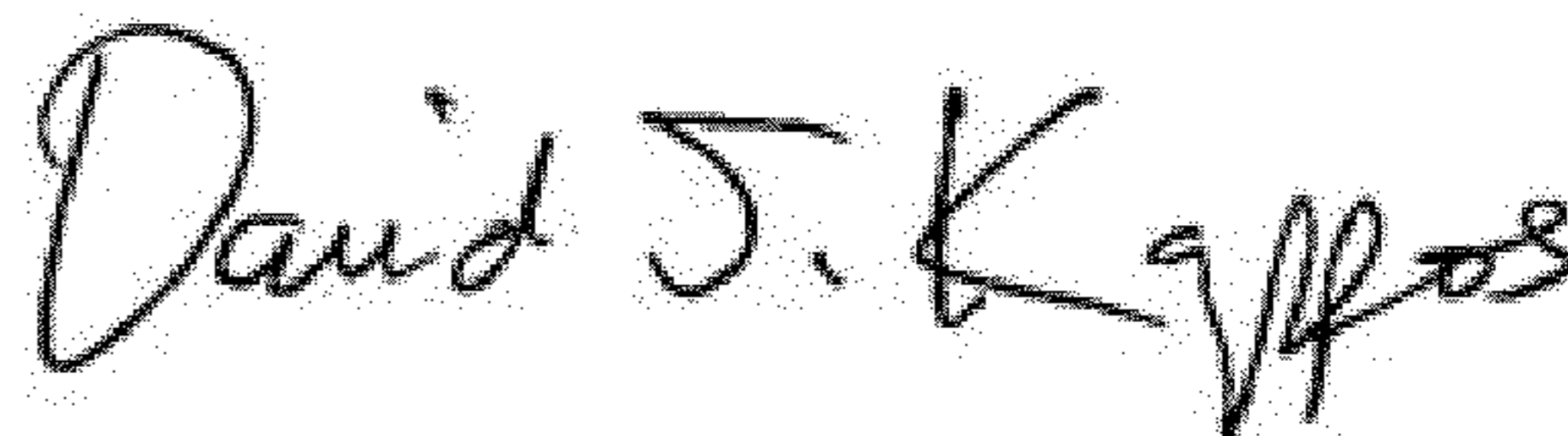
Page 1 of 1

It is certified that error appears in the above-identified patent and that said Letters Patent is hereby corrected as shown below:

In the DESCRIPTION,

Line 1, "front", should read --rear--;  
Line 3, "rear", should read --front--;  
Line 7, "front", should read --read--; and  
Line 10, "rear", should read --front--.

Signed and Sealed this  
Twenty-sixth Day of June, 2012



David J. Kappos  
*Director of the United States Patent and Trademark Office*