



US00D598671S

(12) **United States Design Patent**  
**Gagnon, Jr.**

(10) **Patent No.:** **US D598,671 S**

(45) **Date of Patent:** **\*\* Aug. 25, 2009**

(54) **PORTABLE COMPUTER CASE AND TABLE**

2002/0023811 A1\* 2/2002 Silvano ..... 190/11  
2006/0037873 A1\* 2/2006 Elgart ..... 206/223

(76) Inventor: **Phillip Walter Gagnon, Jr.**, 7575 W.  
106th St., Apt. 243, Overland Park, KS  
(US) 66212

\* cited by examiner

*Primary Examiner*—Janice E Seeger  
(74) *Attorney, Agent, or Firm*—Charles F. Seyboldt

(\*\*) Term: **14 Years**

(21) Appl. No.: **29/307,158**

(57) **CLAIM**

(22) Filed: **Apr. 3, 2008**

The ornamental design for a portable computer case and table, as shown and described.

(51) **LOC (9) Cl.** ..... **06-03**

(52) **U.S. Cl.** ..... **D6/430; D6/425**

(58) **Field of Classification Search** ..... D6/480–489,  
D6/495–499, 429–431, 511; 108/150, 153.1,  
108/156, 157.1, 161, 34; 248/188, 188.1,  
248/188.8; 312/241; 190/11  
See application file for complete search history.

**DESCRIPTION**

FIG. 1 is a perspective view of a portable computer case and table according to my new design;  
FIG. 2 is a front elevational view thereof;  
FIG. 3 is a rear elevational view thereof;  
FIG. 4 is a left side elevational view thereof;  
FIG. 5 is a right side elevational view thereof;  
FIG. 6 is a top plan view thereof; and,  
FIG. 7 is a bottom plan view thereof.

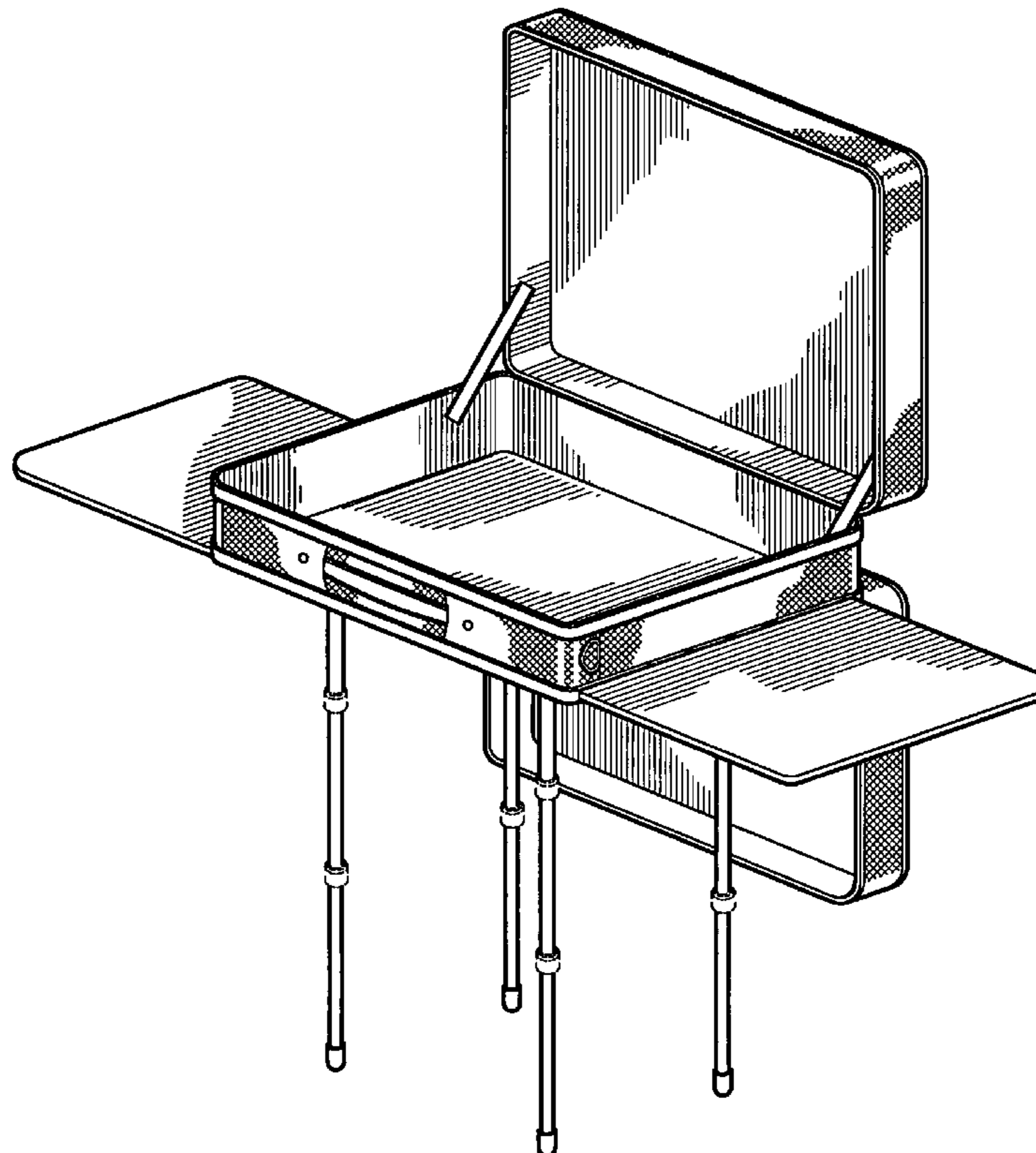
The broken lines are for environmental purposes only and form no part of the claimed design.

(56) **References Cited**

U.S. PATENT DOCUMENTS

- 1,363,062 A \* 12/1920 Steere ..... 312/241
- D199,871 S \* 12/1964 Lanigan ..... D16/242
- 3,315,621 A \* 4/1967 Szymer ..... 108/34
- 4,856,627 A \* 8/1989 Polatov ..... 190/11
- D342,121 S \* 12/1993 Lim ..... D23/286
- D539,562 S \* 4/2007 Lown et al. .... D6/426

**1 Claim, 5 Drawing Sheets**



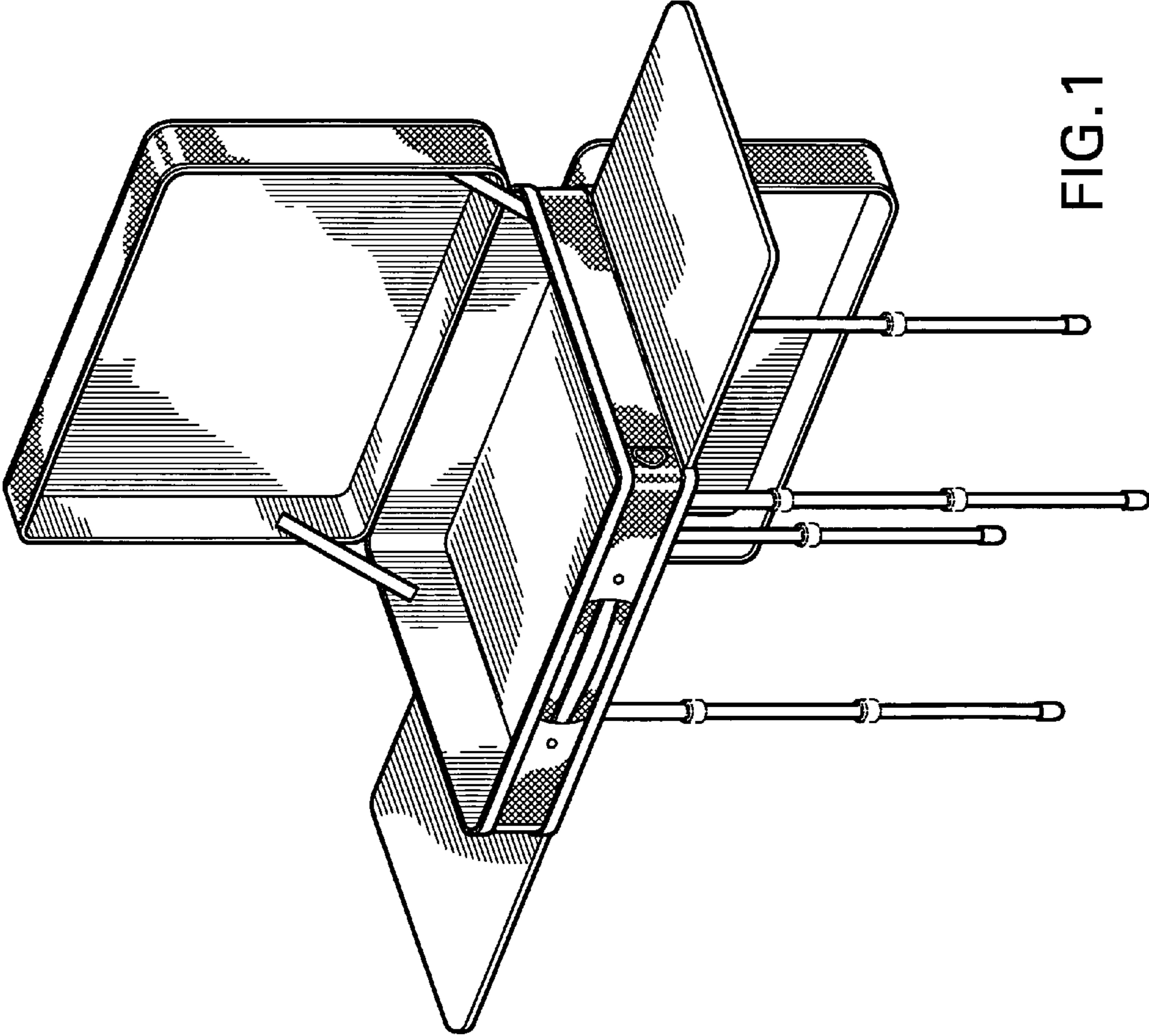


FIG. 1

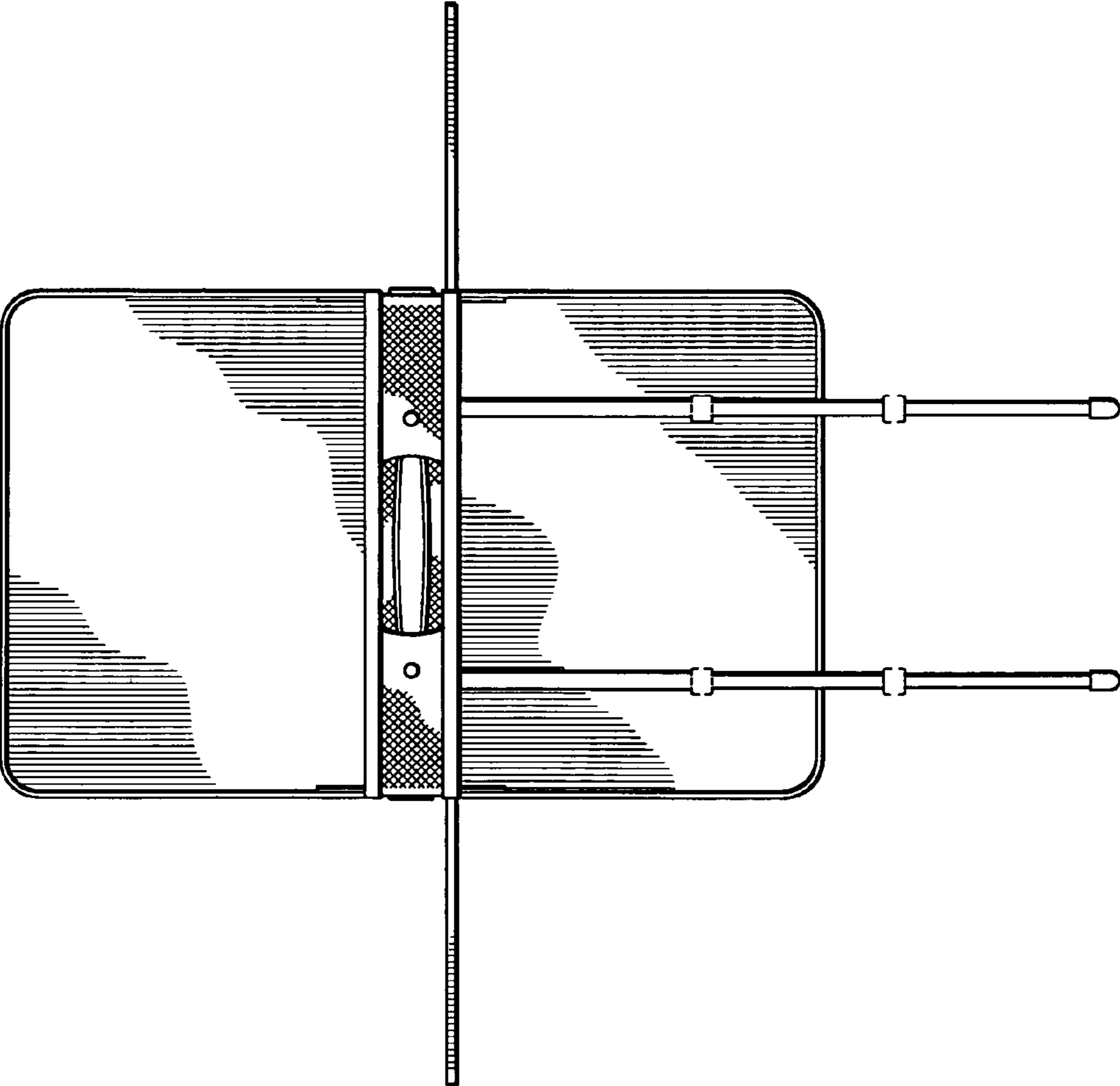


FIG. 2

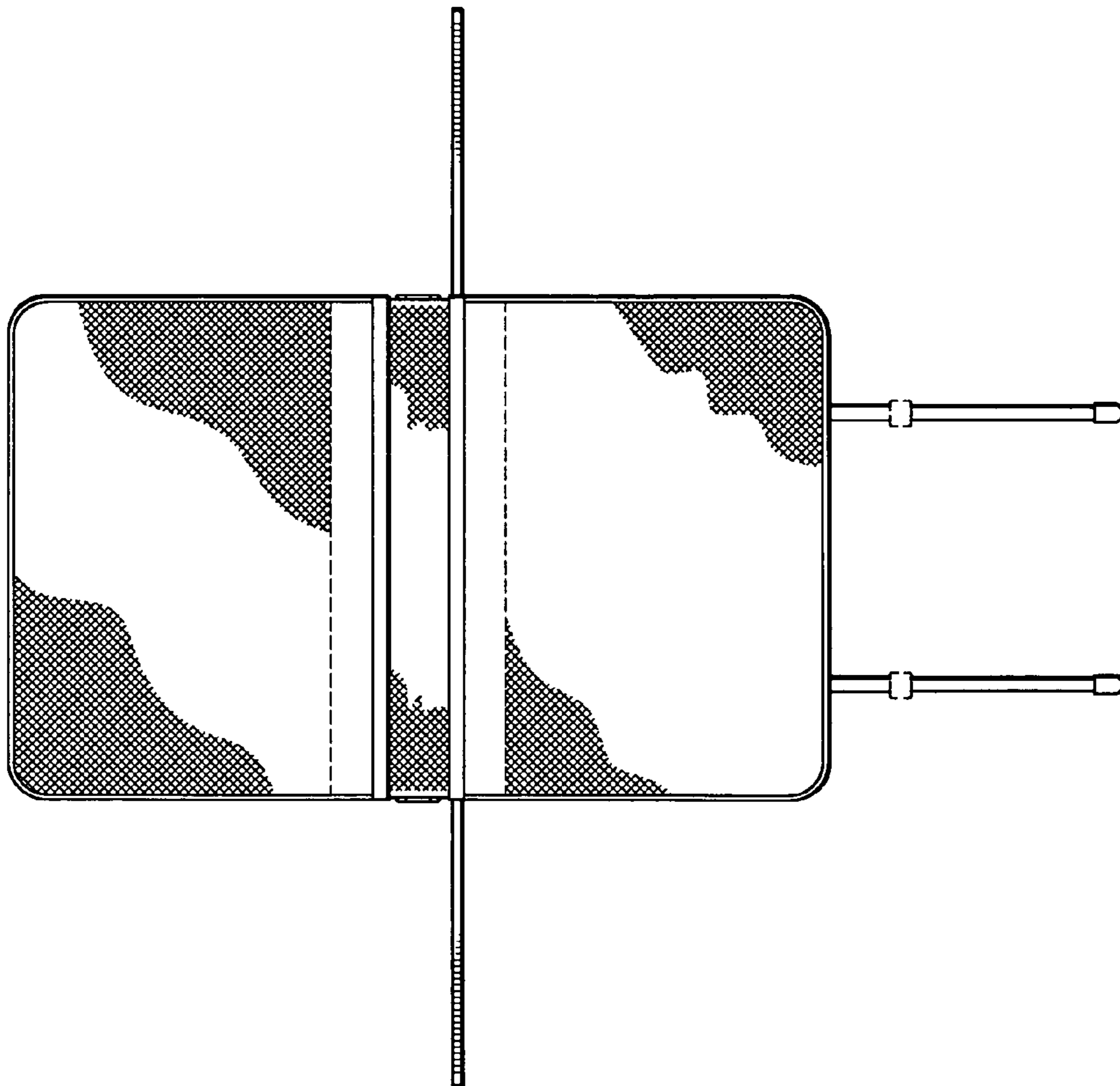


FIG.3

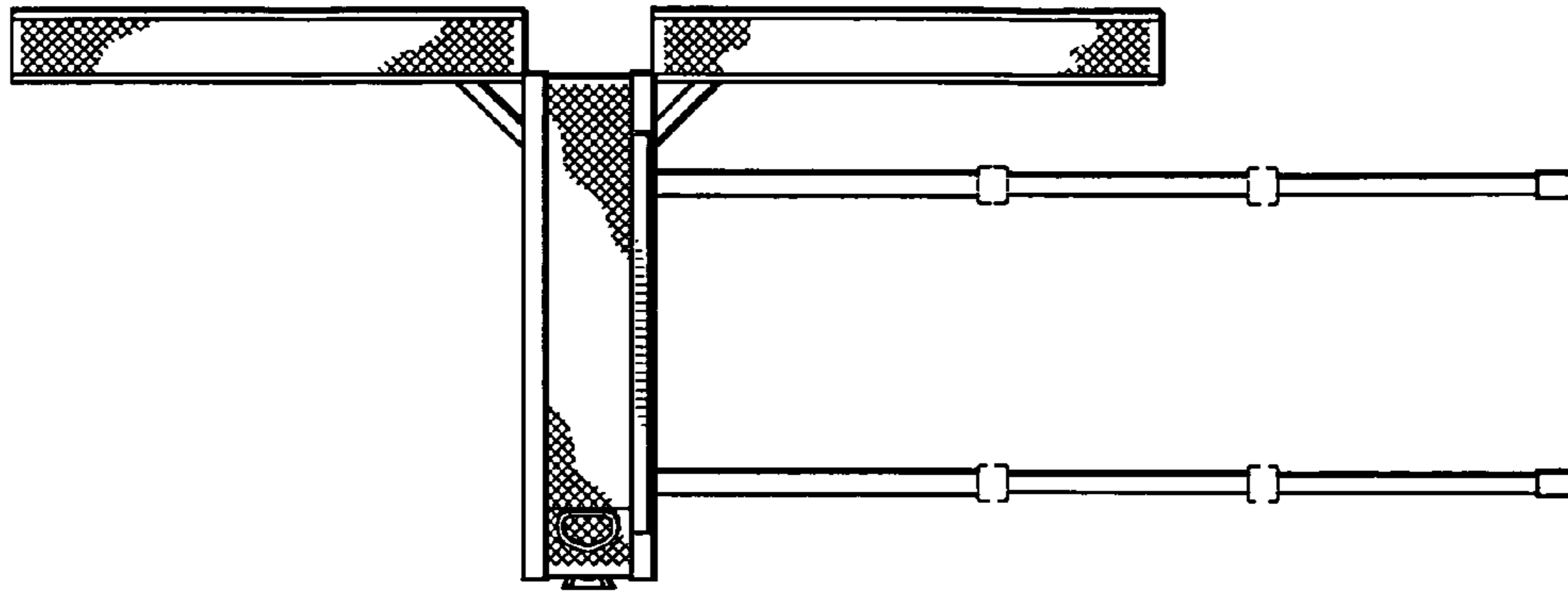


FIG. 5

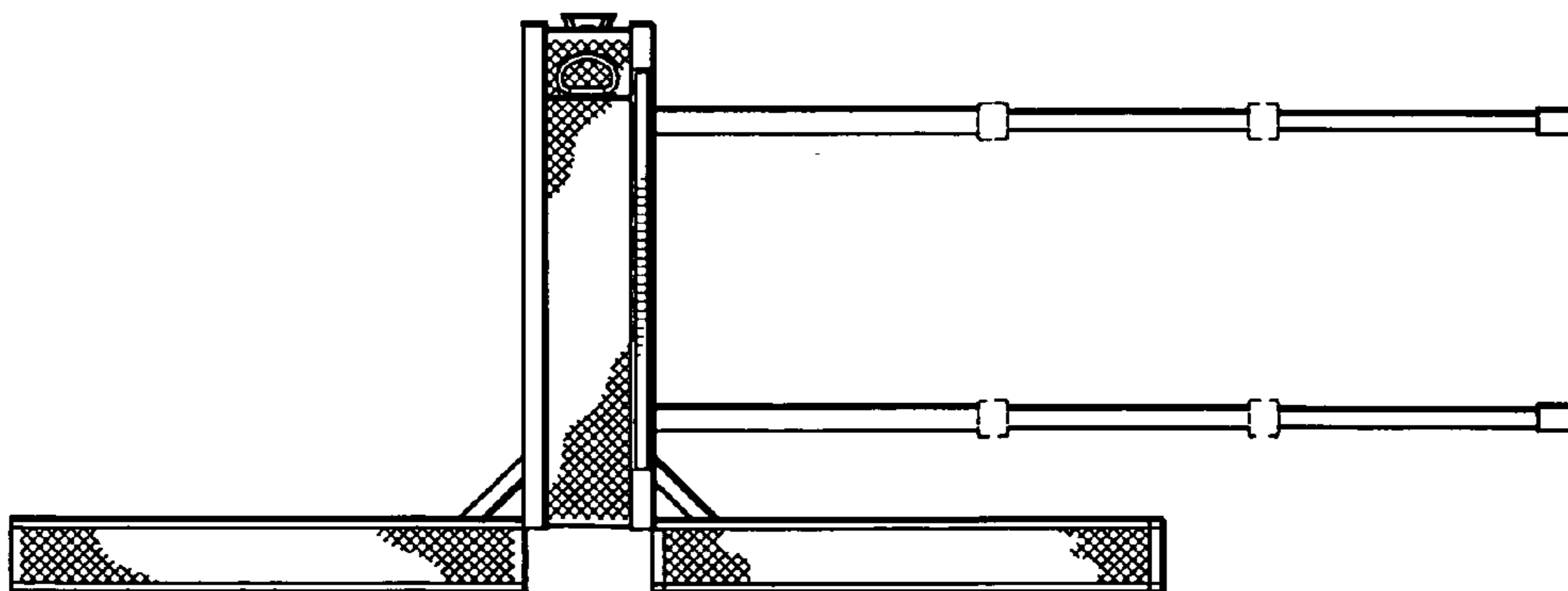


FIG. 4

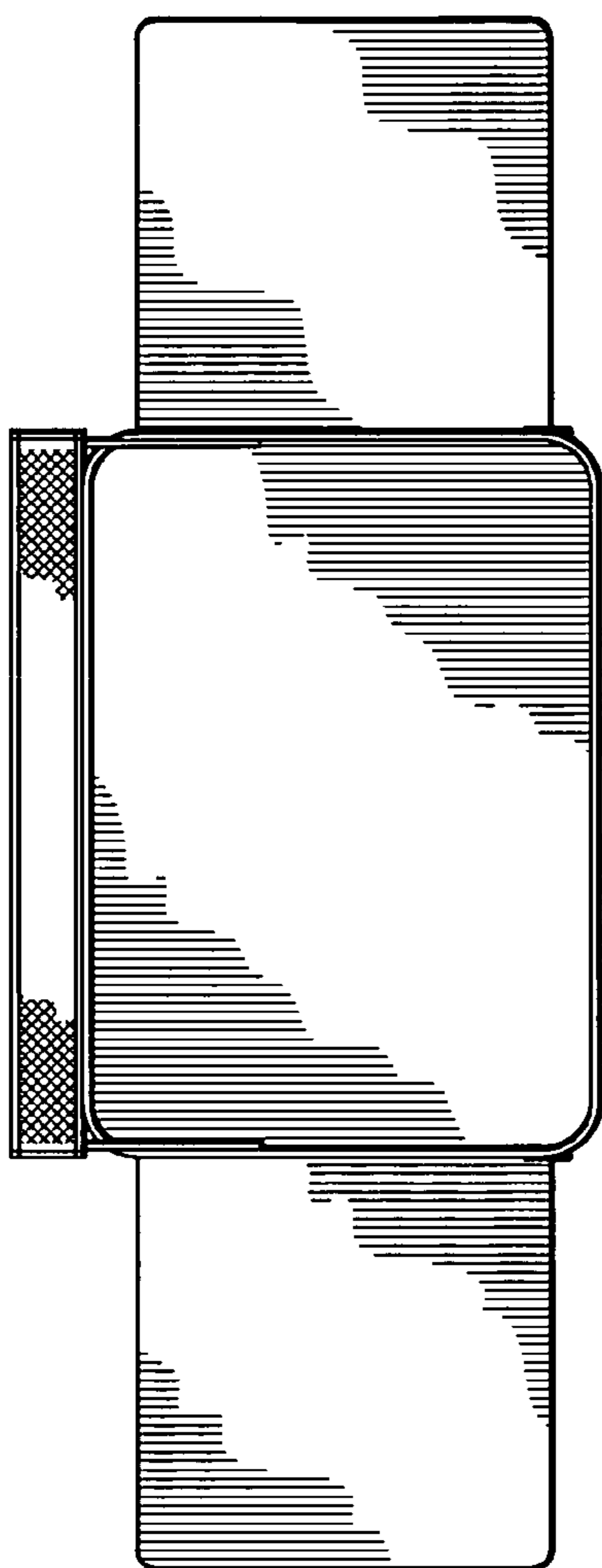


FIG. 6

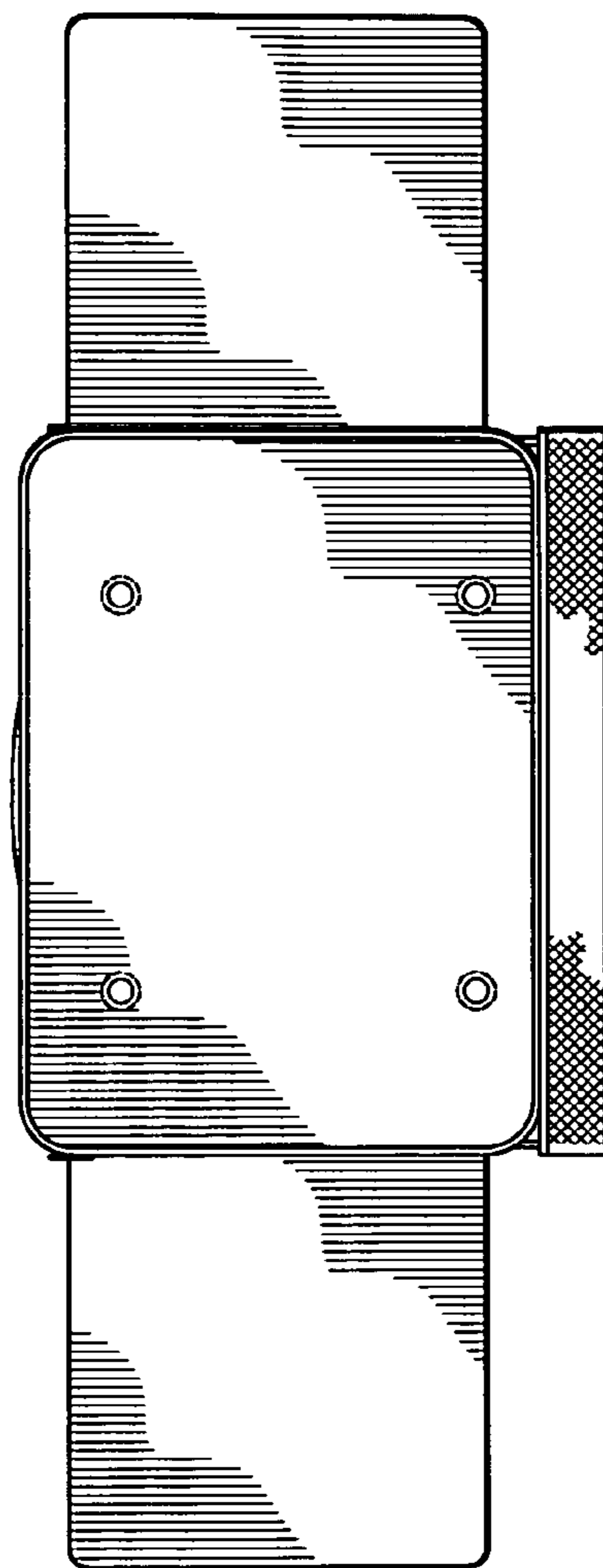


FIG. 7