



US00D598665S

(12) **United States Design Patent**
Cloet et al.

(10) **Patent No.:** **US D598,665 S**

(45) **Date of Patent:** **** Aug. 25, 2009**

(54) **SEATS FOR MEANS OF TRANSPORT**

(75) Inventors: **Frédéric Cloet**, Tonny Charente (FR);
Sylvain Gonfalone, Rochefort sur mer
(FR); **Gabriel Martin**, Echillais (FR)

(73) Assignee: **Eads Sogerma**, Merignac (FR)

(**) Term: **14 Years**

(21) Appl. No.: **29/284,779**

(22) Filed: **Sep. 14, 2007**

(30) **Foreign Application Priority Data**

Mar. 15, 2007 (EM) 000689245-0001

(51) **LOC (9) Cl.** **06-01**

(52) **U.S. Cl.** **D6/356**

(58) **Field of Classification Search** D6/334-336,
D6/356, 360-361, 367, 381, 500-502; D12/195,
D12/345; 297/232, 244, 342, 354.11, 423.11
See application file for complete search history.

(56) **References Cited**

U.S. PATENT DOCUMENTS

D405,275 S * 2/1999 Dryburgh et al. D6/356
D439,063 S * 3/2001 Round et al. D6/356
D439,425 S * 3/2001 Park et al. D6/356
6,412,870 B1 * 7/2002 Higgins et al. 297/342

D493,294 S * 7/2004 Newson D6/356
D510,816 S * 10/2005 Lee D6/356
D558,993 S * 1/2008 Saint-Jalmes et al. D6/357
D562,732 S * 2/2008 Takeda et al. D12/8
D572,951 S * 7/2008 Aoki et al. D6/501

* cited by examiner

Primary Examiner—Elizabeth A Albert

Assistant Examiner—Kelley A Donnelly

(74) *Attorney, Agent, or Firm*—Novak Druce + Quigg LLP

(57) **CLAIM**

I claim the ornamental design for seats for means of transport,
as shown and described.

DESCRIPTION

FIG. 1 is a front perspective view of seats for means of
transport;

FIG. 2 is another front perspective view thereof;

FIG. 3 is a back perspective view thereof;

FIG. 4 is a left side elevational view thereof;

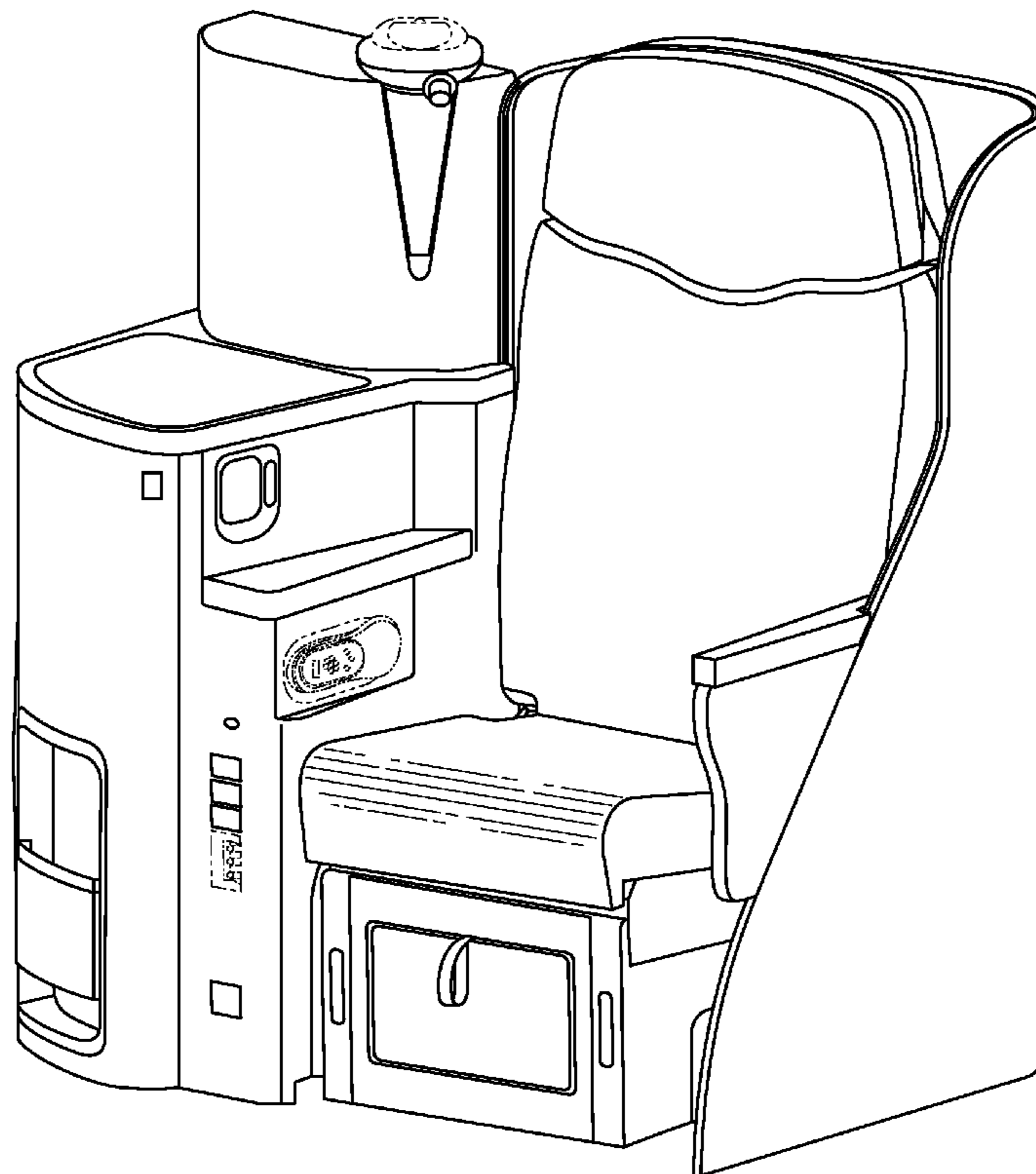
FIG. 5 is a top plan view thereof; and

FIG. 6 is a right side elevational view thereof; and,

FIG. 7 is a back view thereof.

The broken lines in the drawings are for environmental pur-
poses only and form no part of the claimed design.

1 Claim, 7 Drawing Sheets



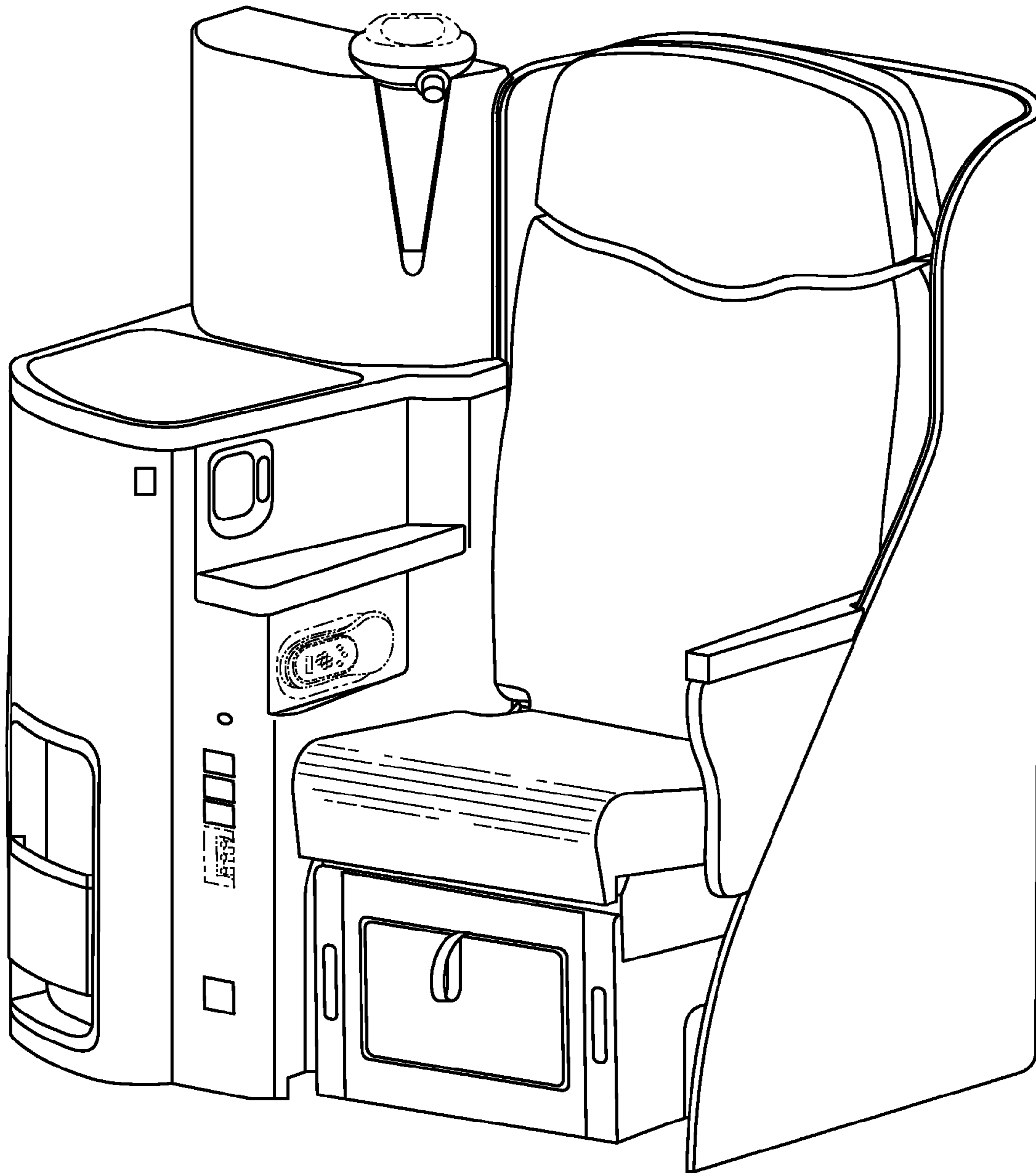


FIG. 1

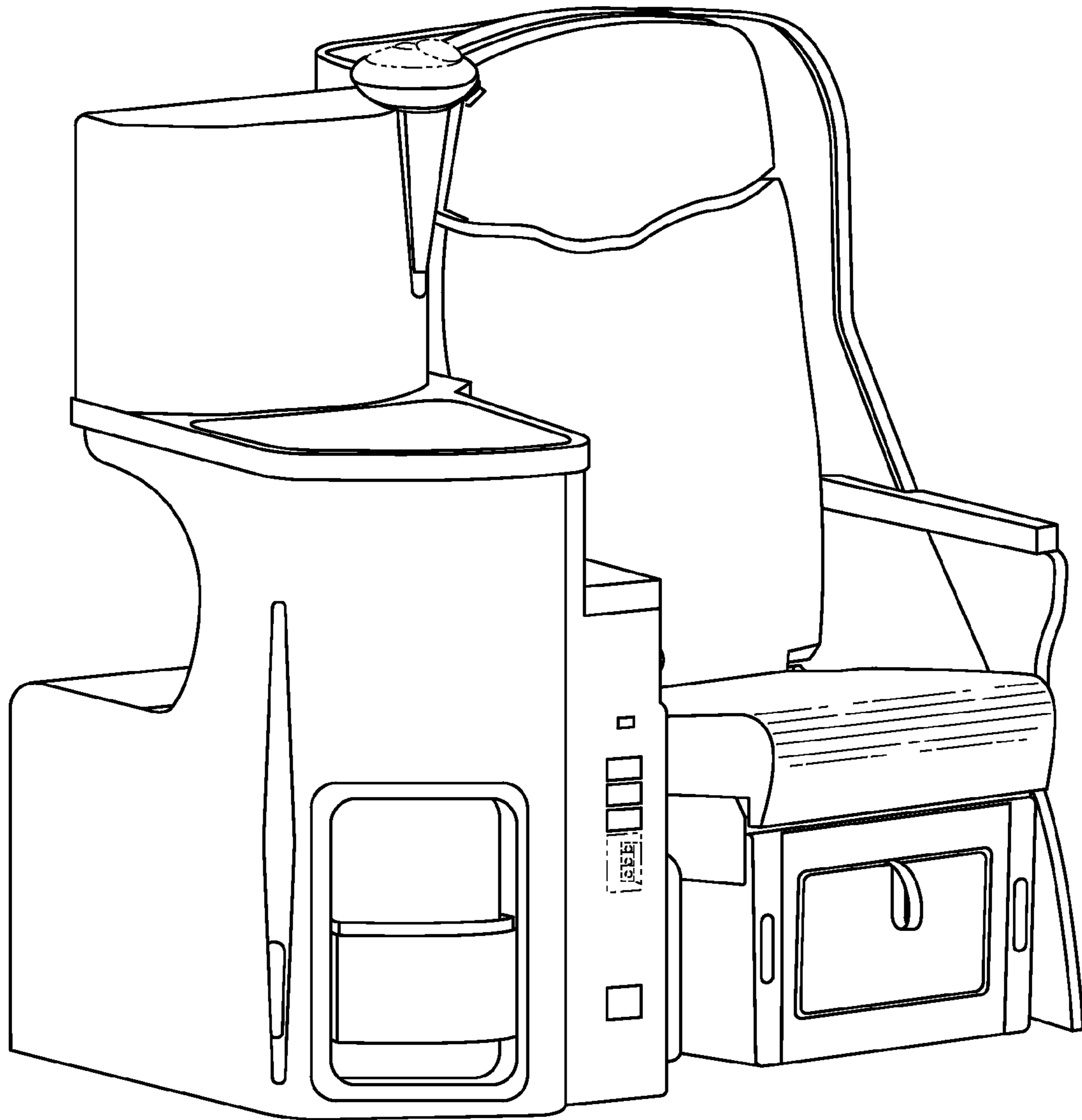


FIG. 2

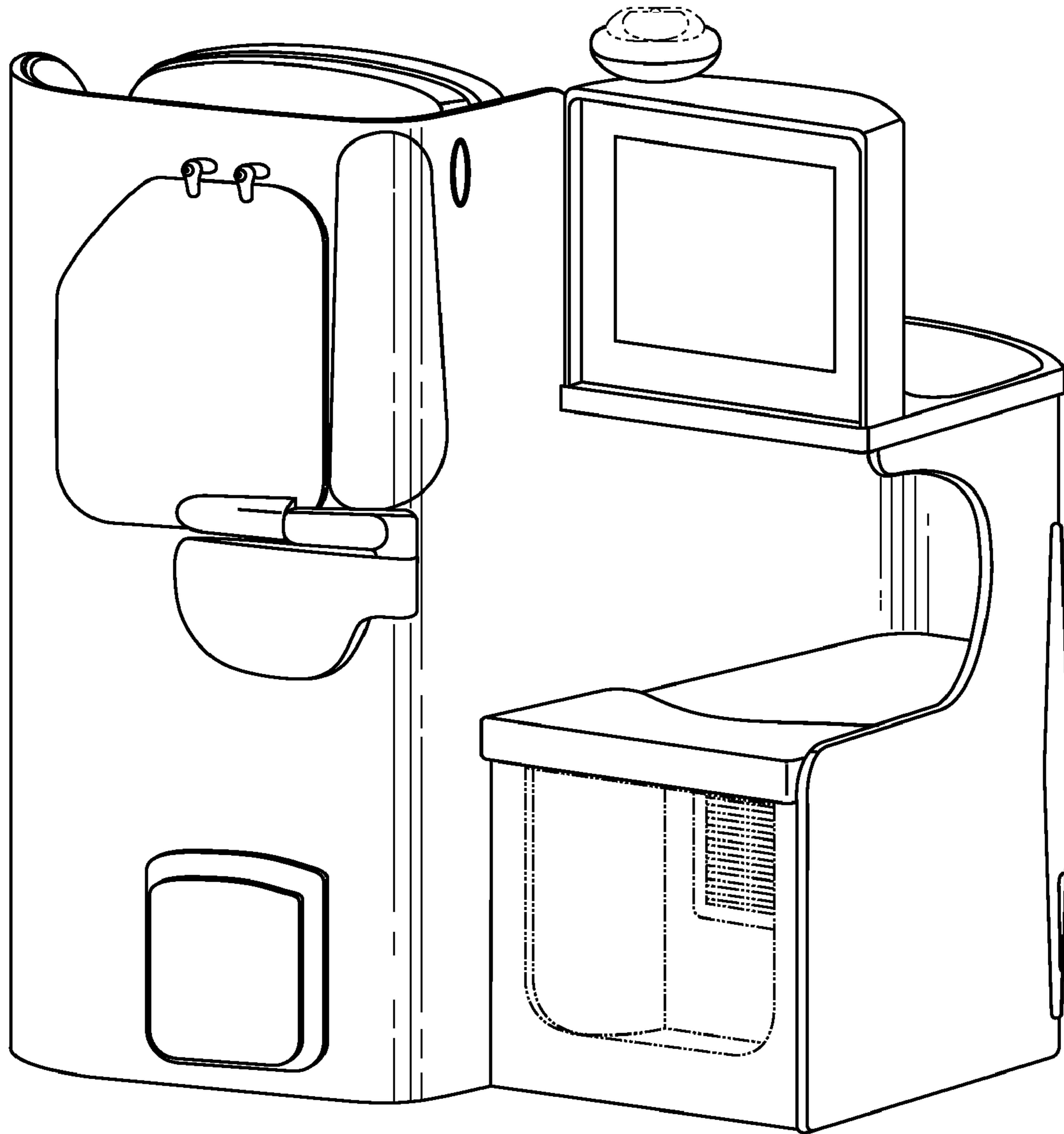


FIG. 3

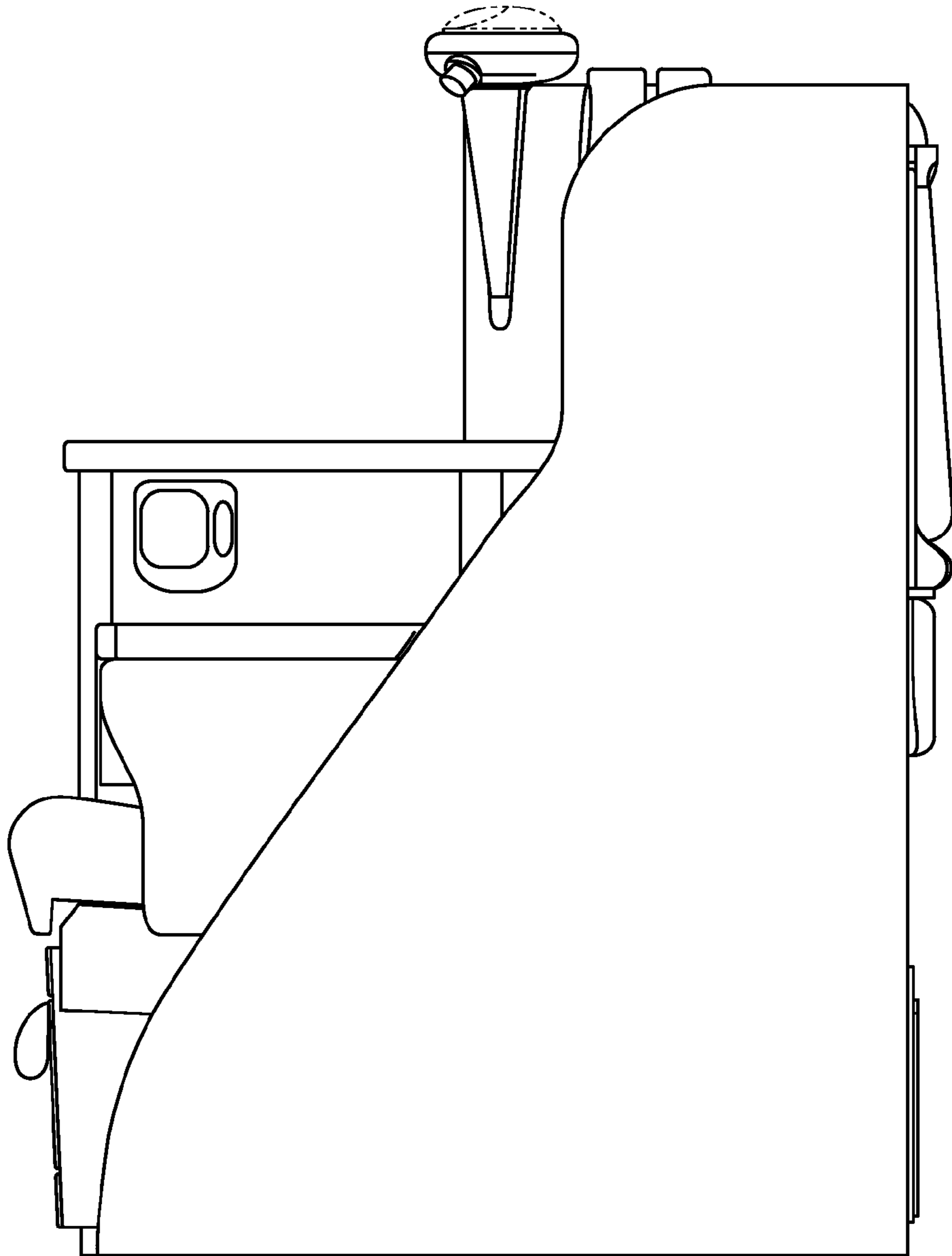


FIG. 4

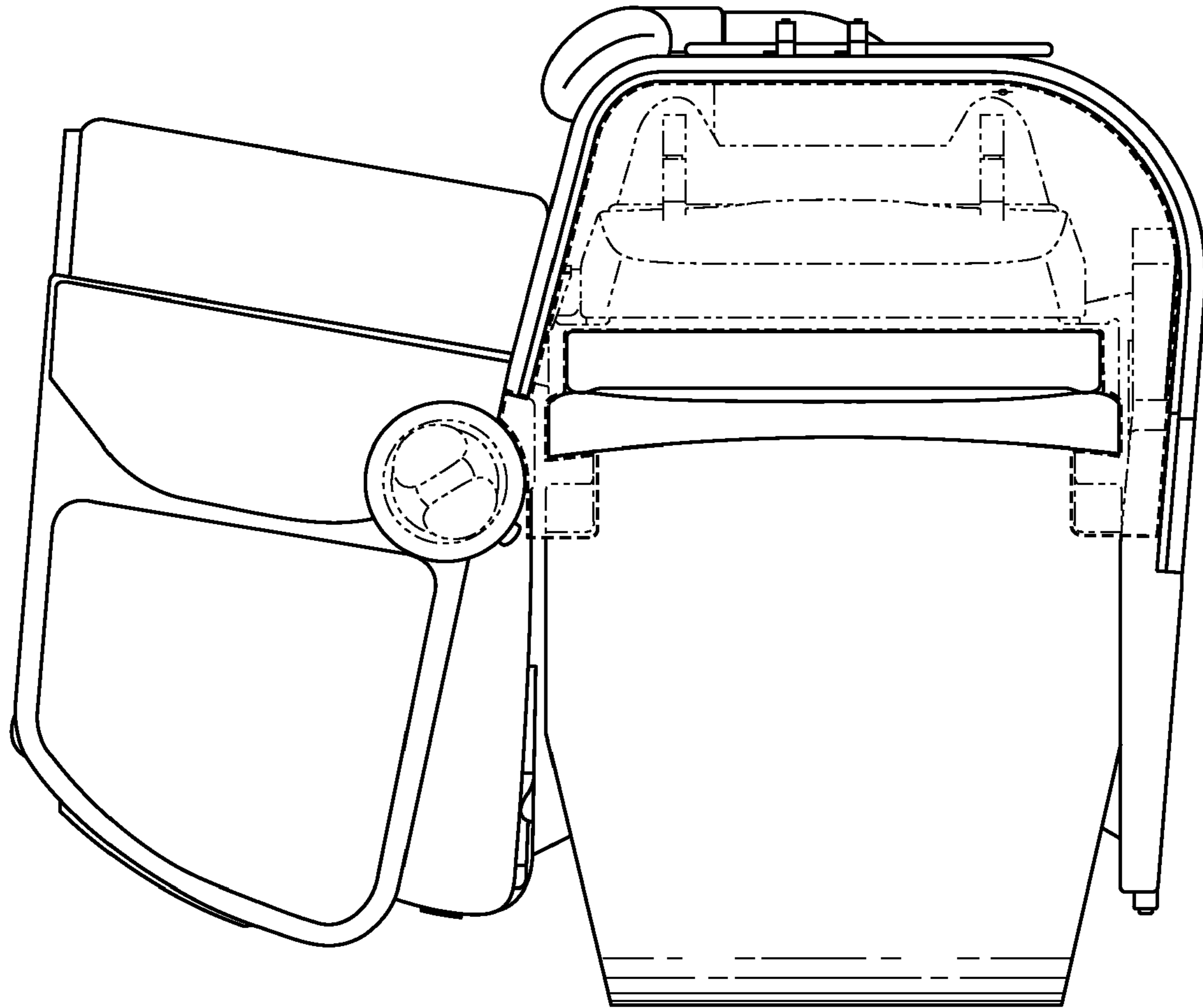


FIG. 5

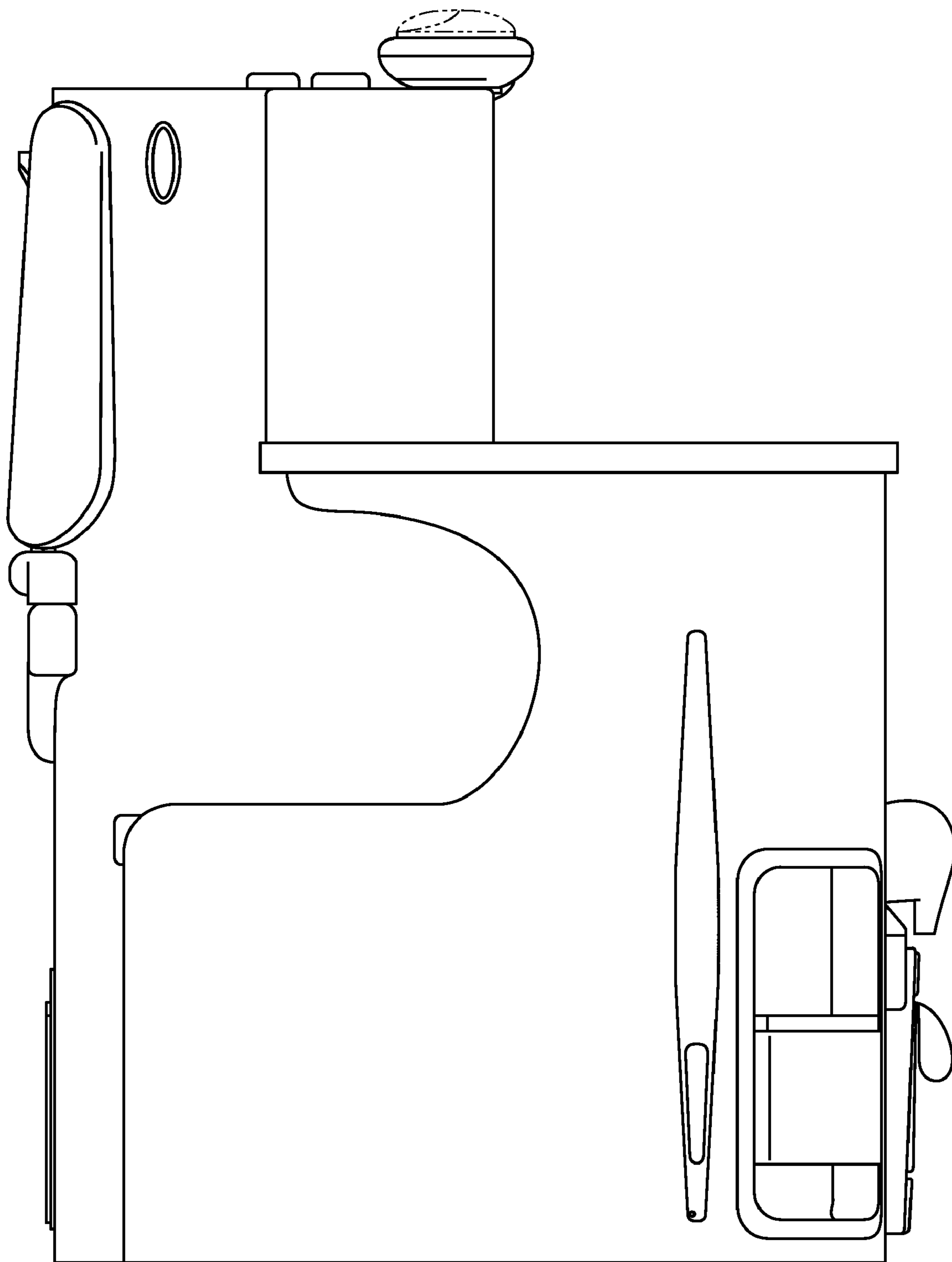


FIG. 6

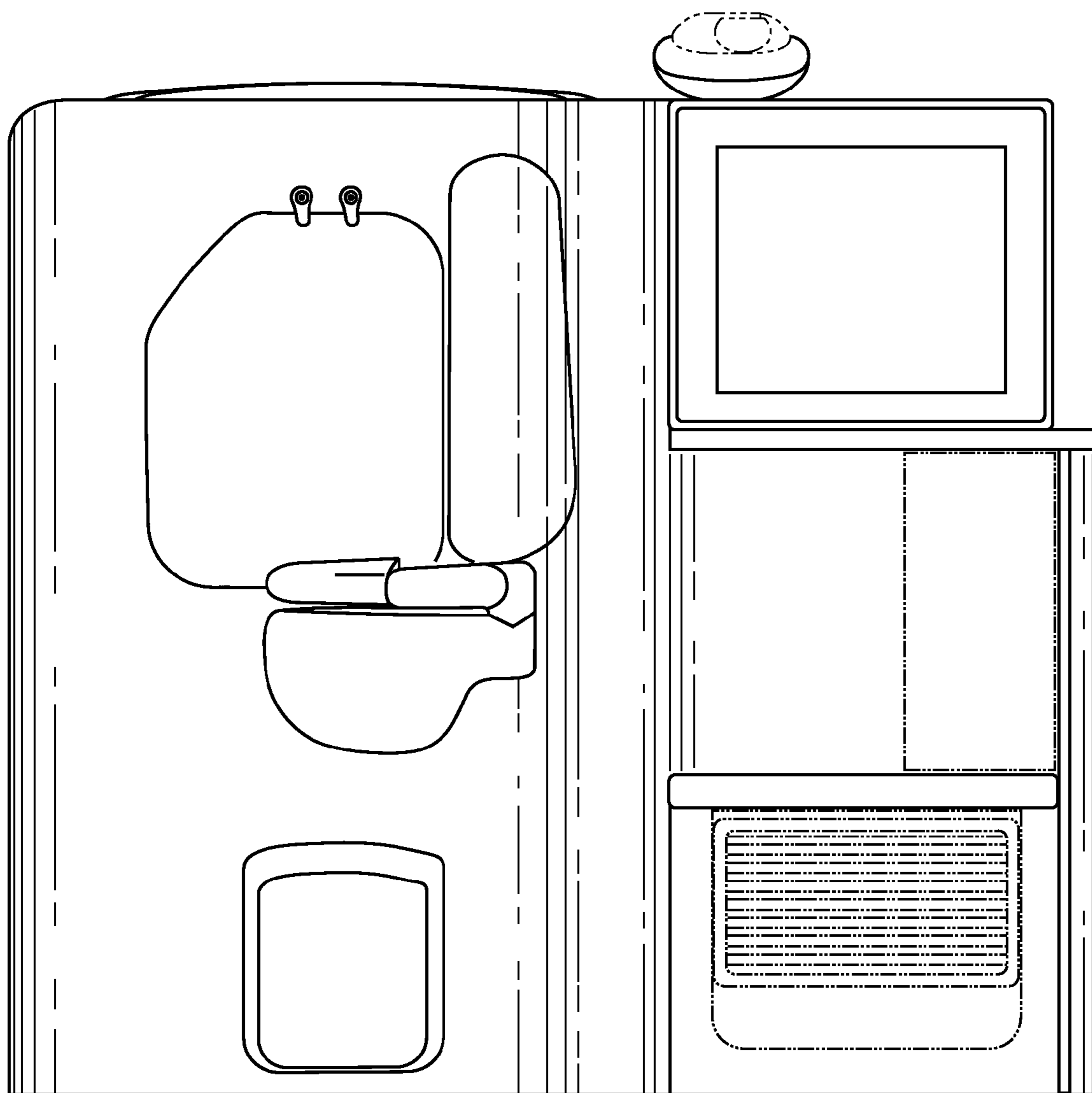


FIG. 7