

US00D598664S

(12) **United States Design Patent**
Giampavolo

(10) **Patent No.:** **US D598,664 S**

(45) **Date of Patent:** **** Aug. 25, 2009**

(54) **FOLDABLE CHILD SEAT**

(57) **CLAIM**

(76) **Inventor:** **Paul Giampavolo**, 6 Kingsbridge Rd.,
Fairfield, NJ (US) 07004

The ornamental design for a foldable child seat, as shown and described.

(**) **Term:** **14 Years**

DESCRIPTION

(21) **Appl. No.:** **29/307,381**

FIG. 1 is a side elevation view of a foldable child seat in an unfolded state taken from a left hand side as viewed by an operator;

(22) **Filed:** **Apr. 16, 2008**

FIG. 2 is front elevation view of the foldable child seat in an unfolded state;

(51) **LOC (9) Cl.** **06-01**

(52) **U.S. Cl.** **D6/333**

FIG. 3 is a right side elevation view of a foldable child seat in an unfolded state and a mirror image of the elevation view shown in FIG. 1;

(58) **Field of Classification Search** D6/333,
D6/335, 339, 491, 500-502; D12/129; D21/412,
D21/419; 280/30, 31; 5/94, 98.1, 99.1, 101,
5/102, 105, 655; 297/183.1, 183.2, 183.3,
297/183.4, 184.13, 184.15, 184.17, 250.1,
297/255, 256.1, 256.15, 256.16

FIG. 4 is a rear elevation view of the foldable child seat;

FIG. 5 is a top plan view of the foldable child seat in an unfolded state;

See application file for complete search history.

FIG. 6 is a bottom plan view of the foldable child seat in an unfolded state;

(56) **References Cited**

FIG. 7 is a perspective view of the foldable child seat in an unfolded state taken from a top, left and front side perspective;

U.S. PATENT DOCUMENTS

D134,560	S	*	12/1942	Fletcher	D6/356
3,023,047	A	*	2/1962	Linden	297/254
3,237,985	A	*	3/1966	Goldberg	297/256
3,290,050	A	*	12/1966	Ezquerra	280/30
3,944,241	A	*	3/1976	Epelbaum	280/30
4,324,430	A	*	4/1982	Dimas et al.	297/256.17
D271,731	S	*	12/1983	Chamberlain et al.	D6/362
D333,923	S	*	3/1993	Dainty	D6/333
D337,210	S	*	7/1993	Silverman	D6/333
D340,139	S	*	10/1993	McCaskill	D6/333
D344,639	S	*	3/1994	Evans, Jr.	D6/333

FIG. 8 is a perspective view of the foldable child seat in an unfolded state taken from a top, front and right side view, and is a mirror image of the perspective view shown in FIG. 7;

FIG. 9 is a left elevation view of the foldable child seat in a folded state;

FIG. 10 is a front elevation view of the foldable child seat in a folded state;

FIG. 11 is a top plan view of the foldable child seat in a folded state; and,

FIG. 12 is a perspective view of the foldable child seat in a folded state taken from a top, right and front side perspective, the perspective view taken from a top, left and front side perspective being a mirror image.

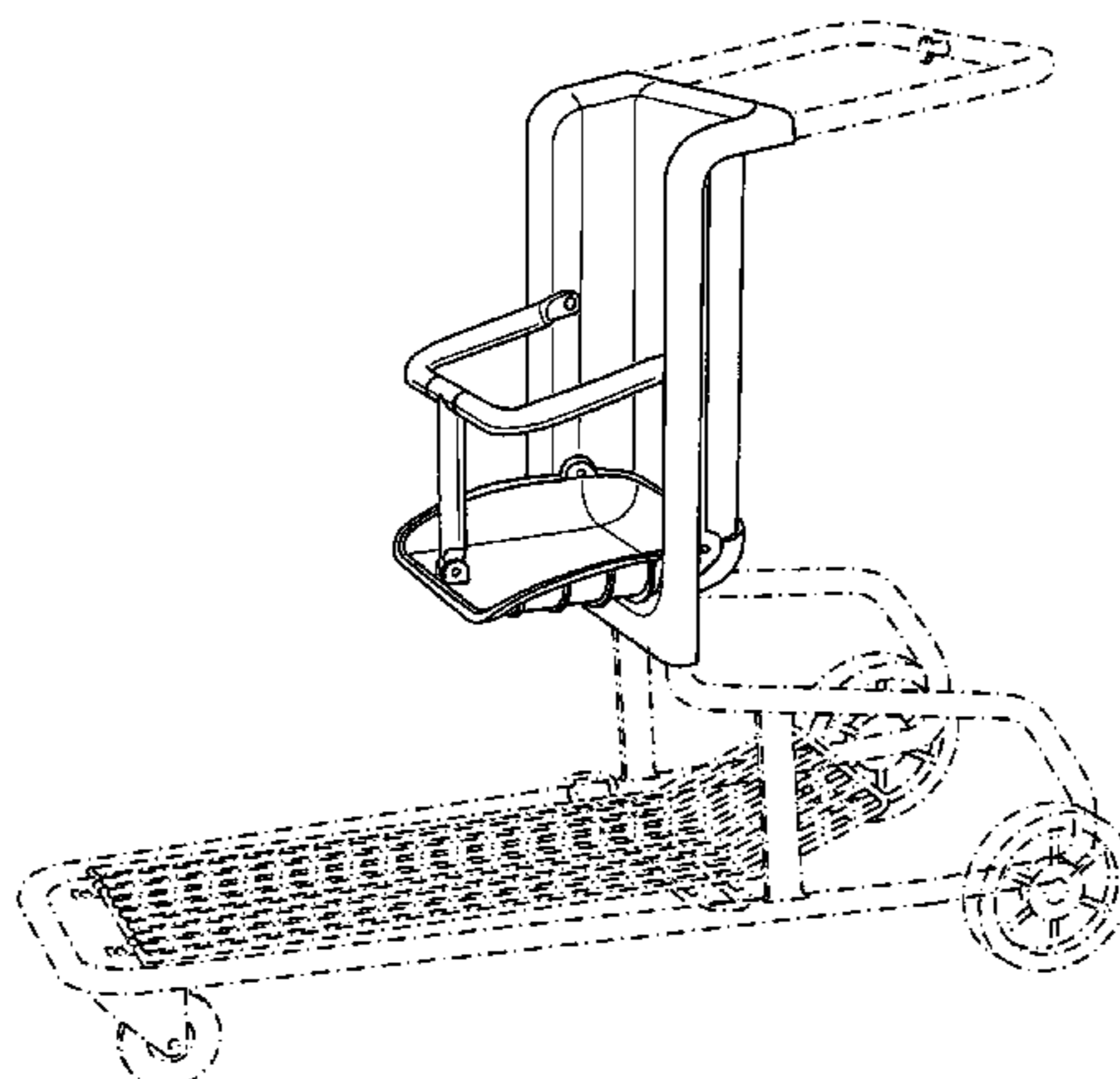
Broken-lines showing other elements of a stroller cart, which elements include a stroller cart frame, a knob on a push handle of the stroller car frame, a lower tray and casters, are for illustrative purposes only and form no part of the claimed design.

(Continued)

Primary Examiner—Sandra Snapp

(74) *Attorney, Agent, or Firm*—Weingarten, Schurgin,
Gagnebin & Lebovici LLP

1 Claim, 12 Drawing Sheets



US D598,664 S

Page 2

U.S. PATENT DOCUMENTS

D345,720 S *	4/1994	Pohl	D12/129	D399,659 S *	10/1998	Reiland et al.	D6/333
5,330,250 A *	7/1994	Reyes	297/229	D404,880 S *	1/1999	Chipperfield	D34/27
D356,447 S *	3/1995	Peters	D6/333	D411,065 S *	6/1999	Davis	D6/555
D371,817 S *	7/1996	Olsavsky et al.	D21/752	D461,062 S *	8/2002	Wu	D6/344
D383,711 S *	9/1997	Smithley	D12/129	D527,537 S *	9/2006	Edwards et al.	D6/333

* cited by examiner

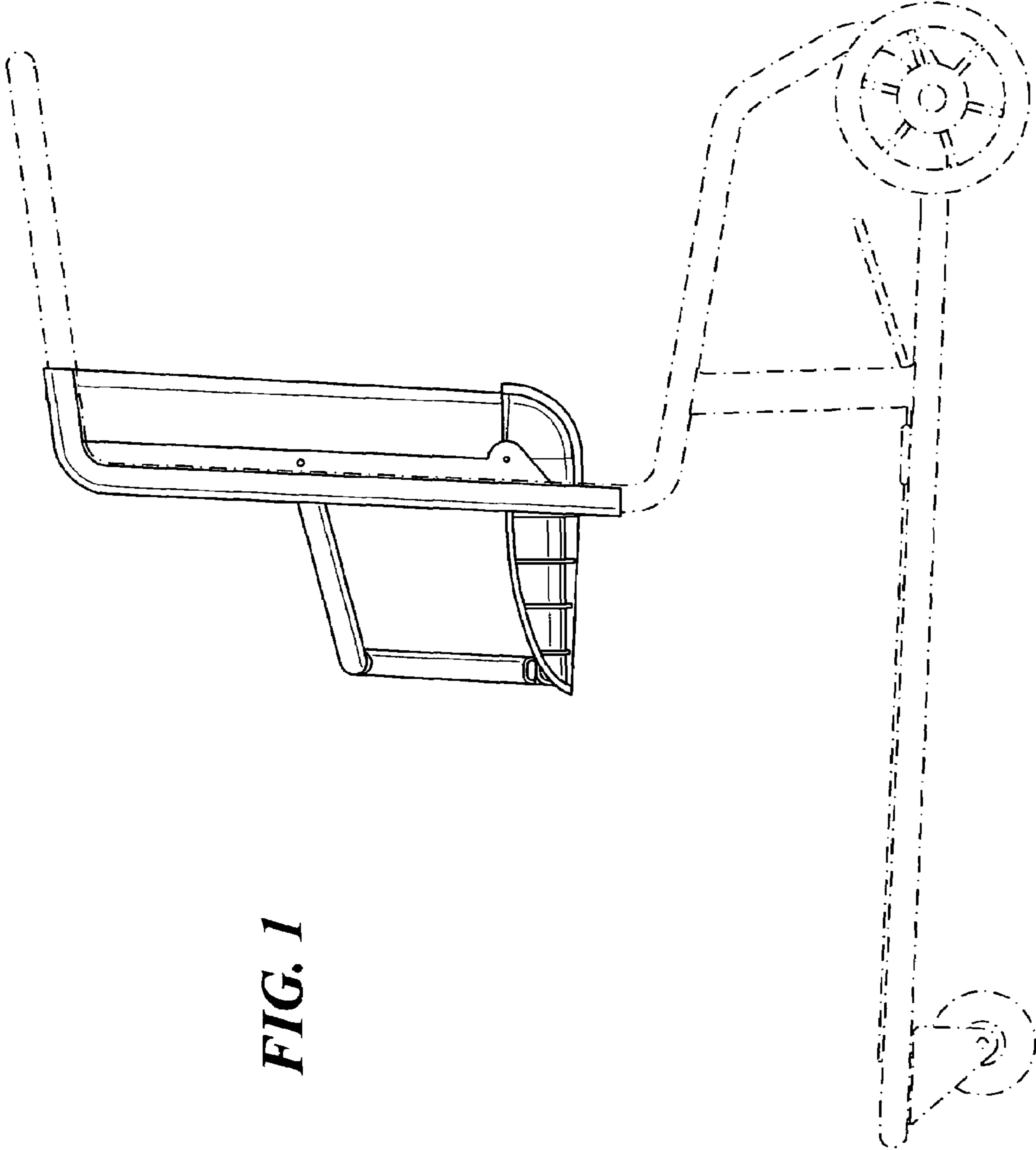


FIG. 1

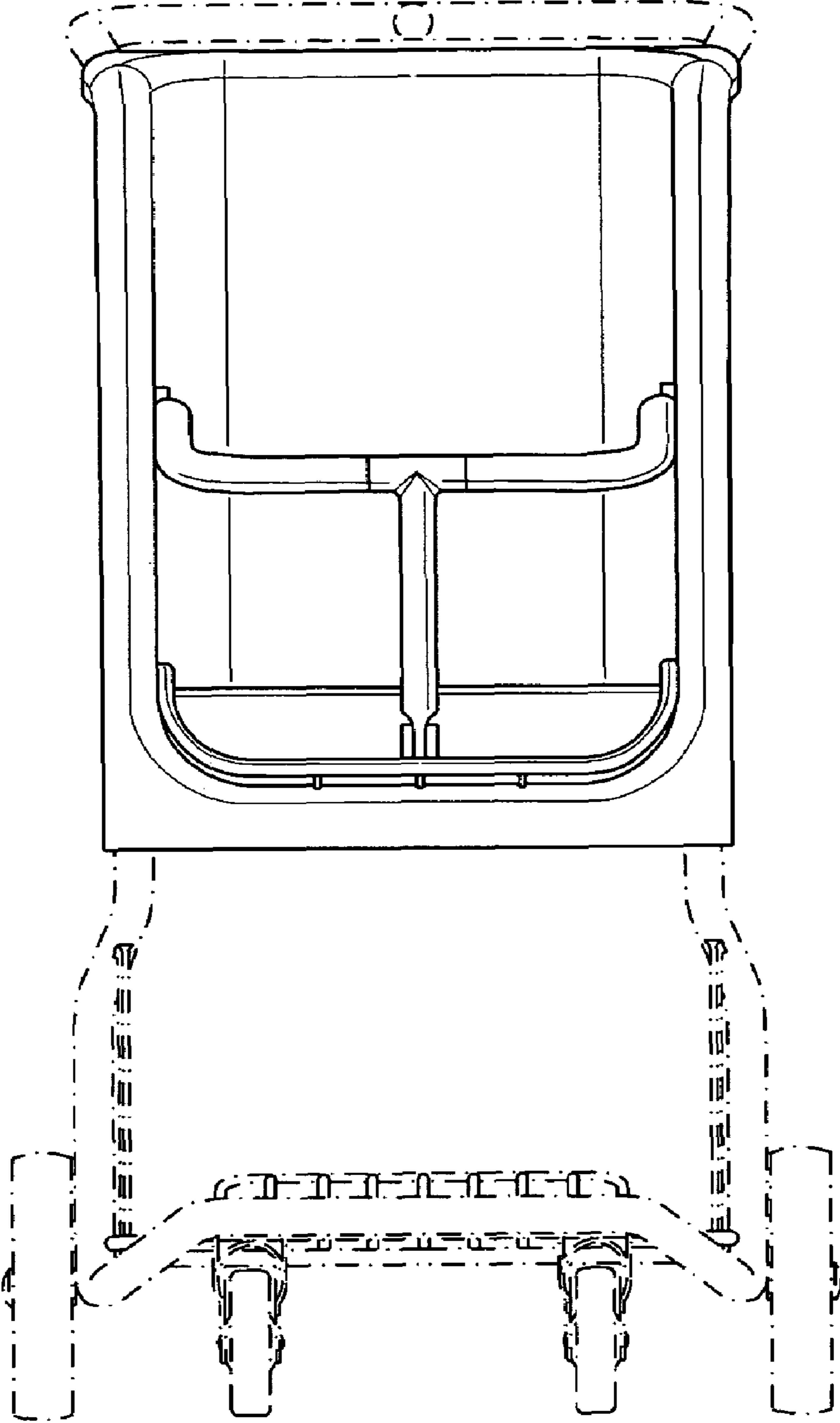
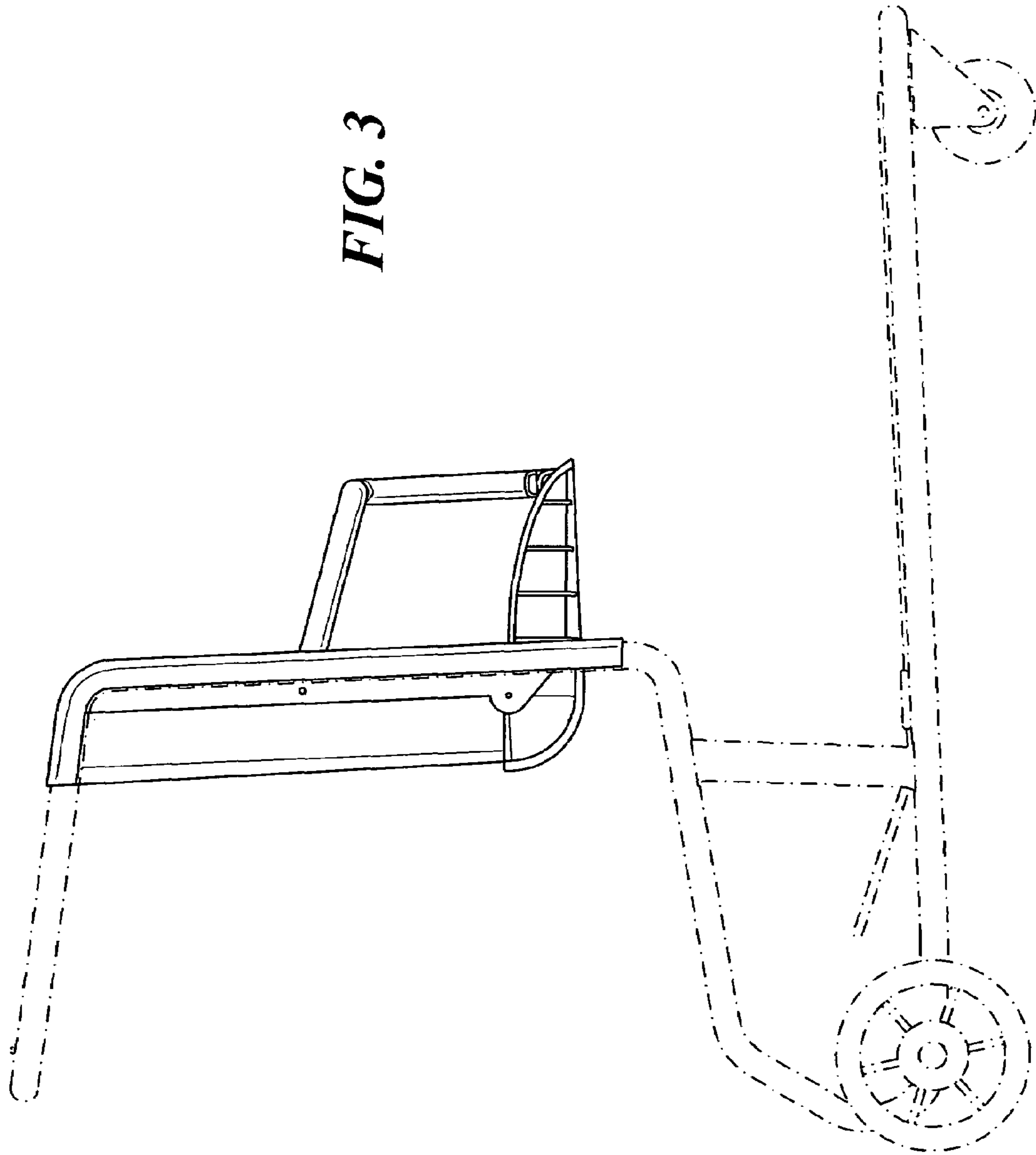


FIG. 2

FIG. 3



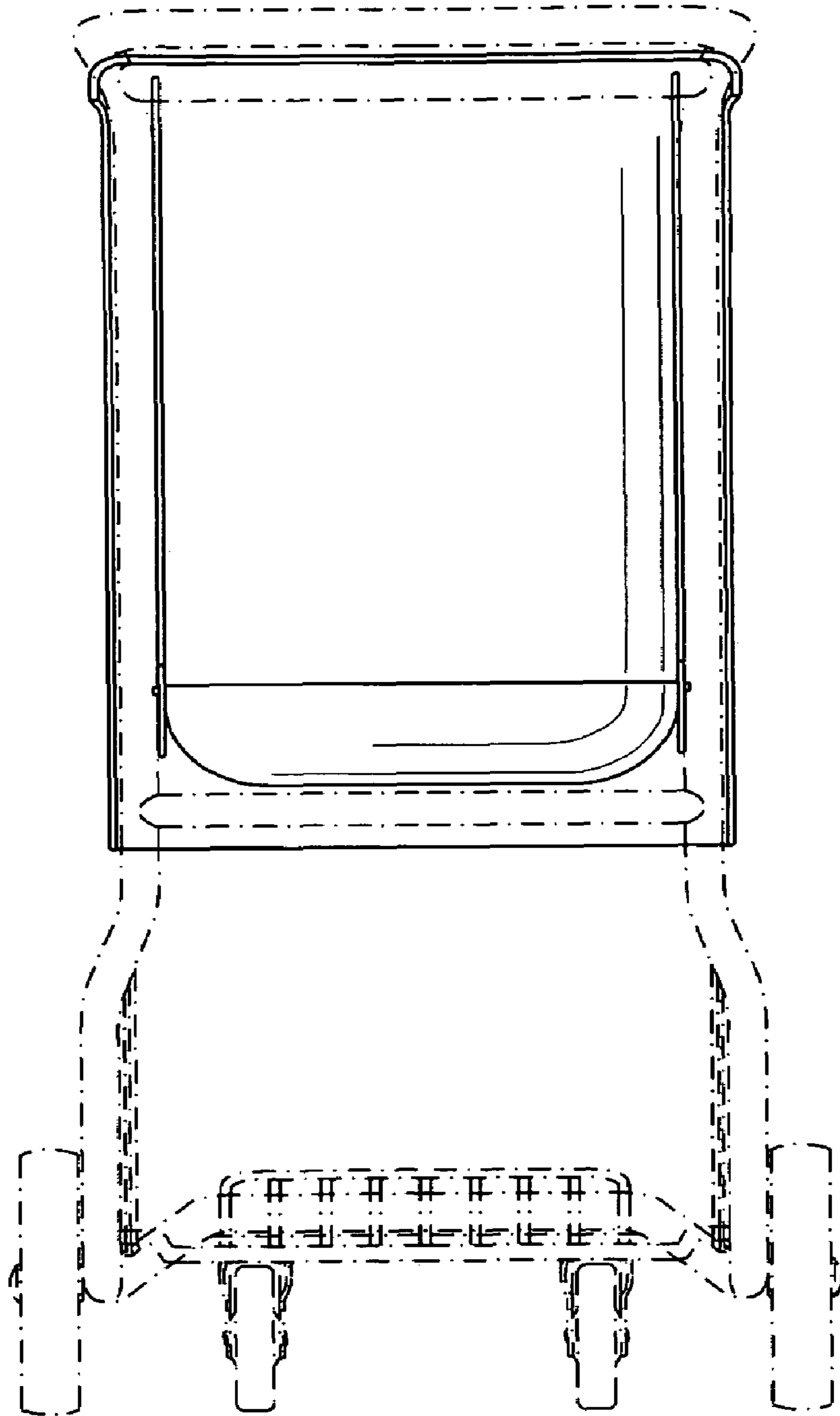


FIG. 4

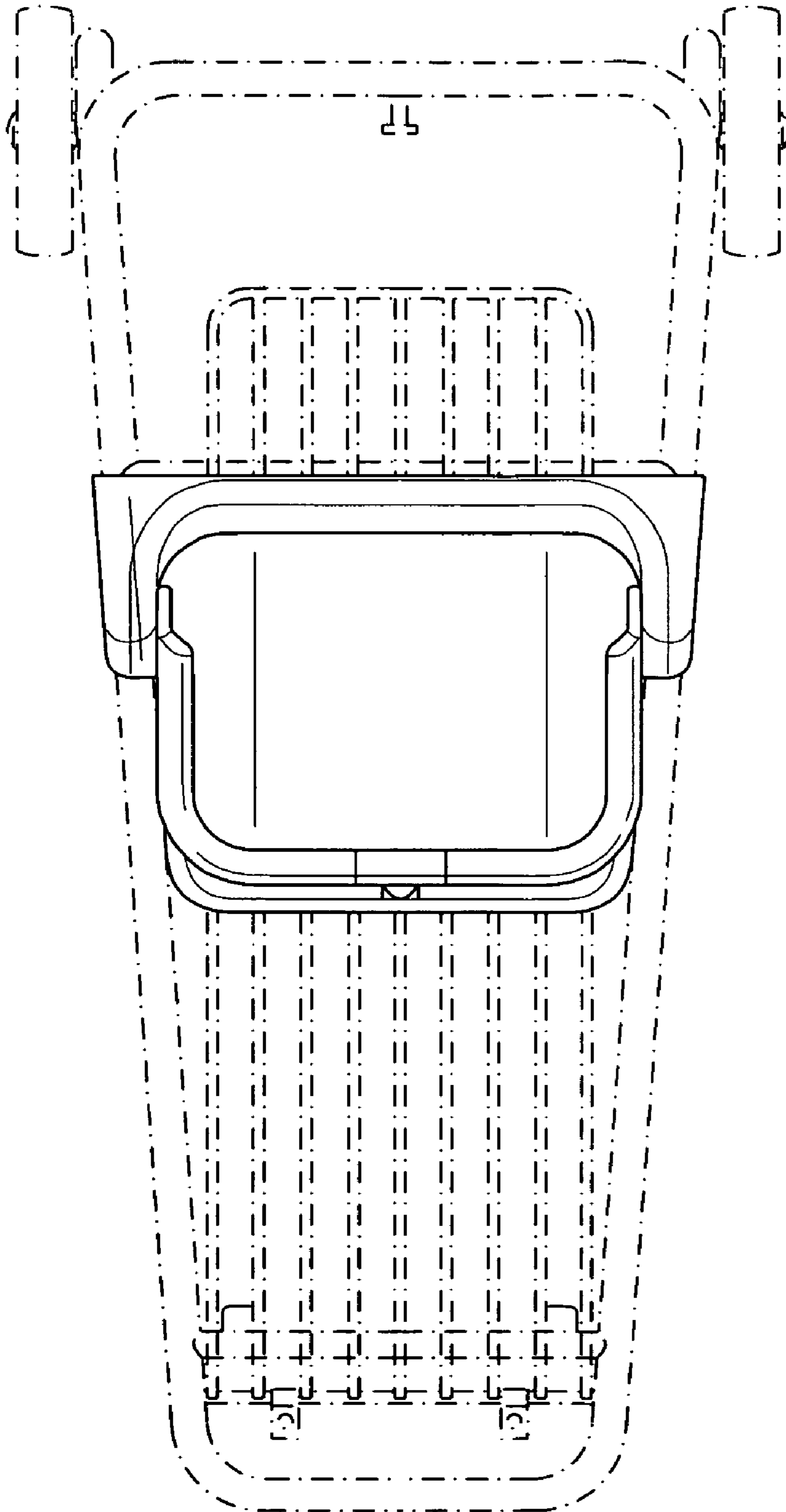


FIG. 5

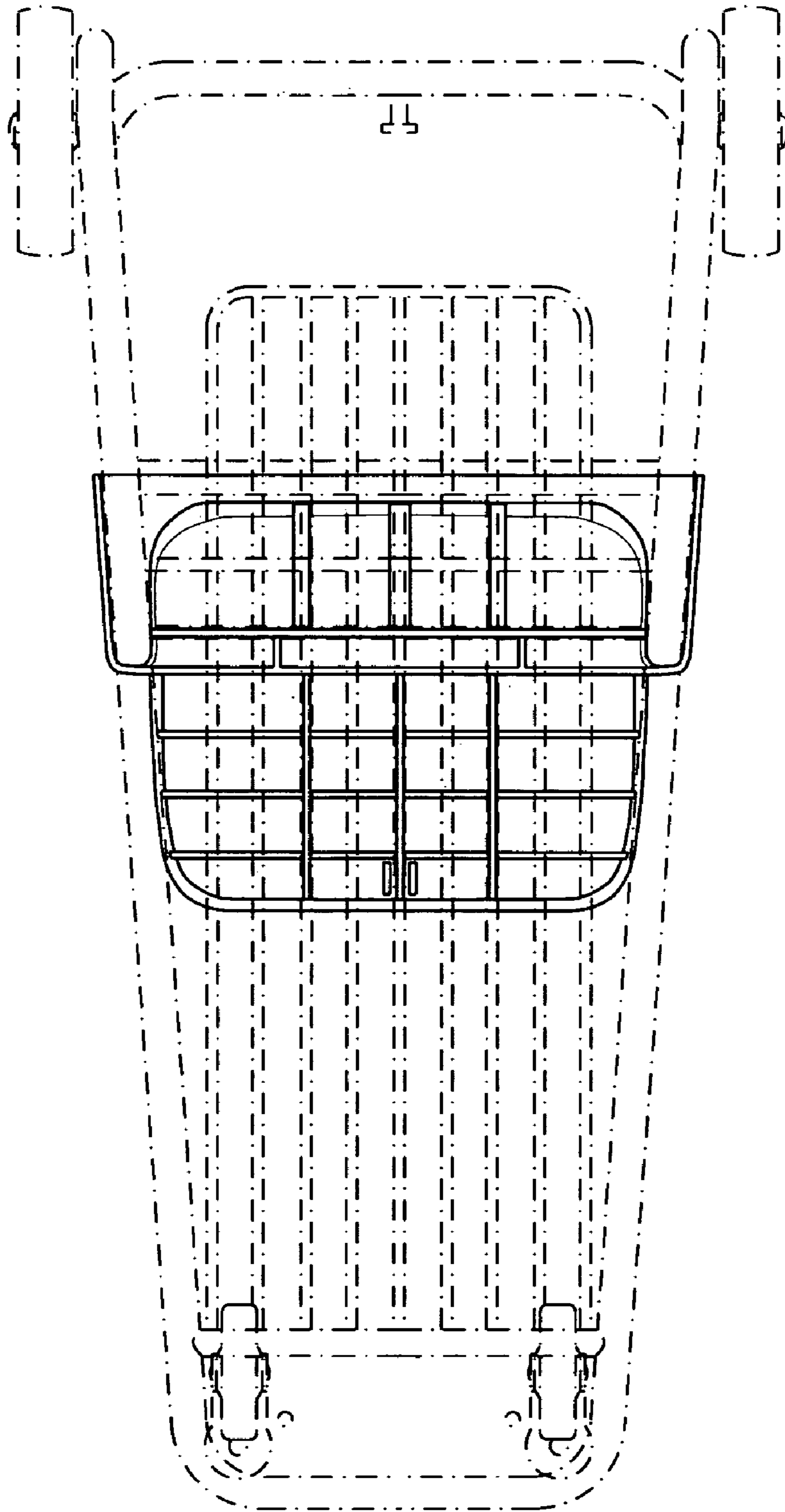


FIG. 6

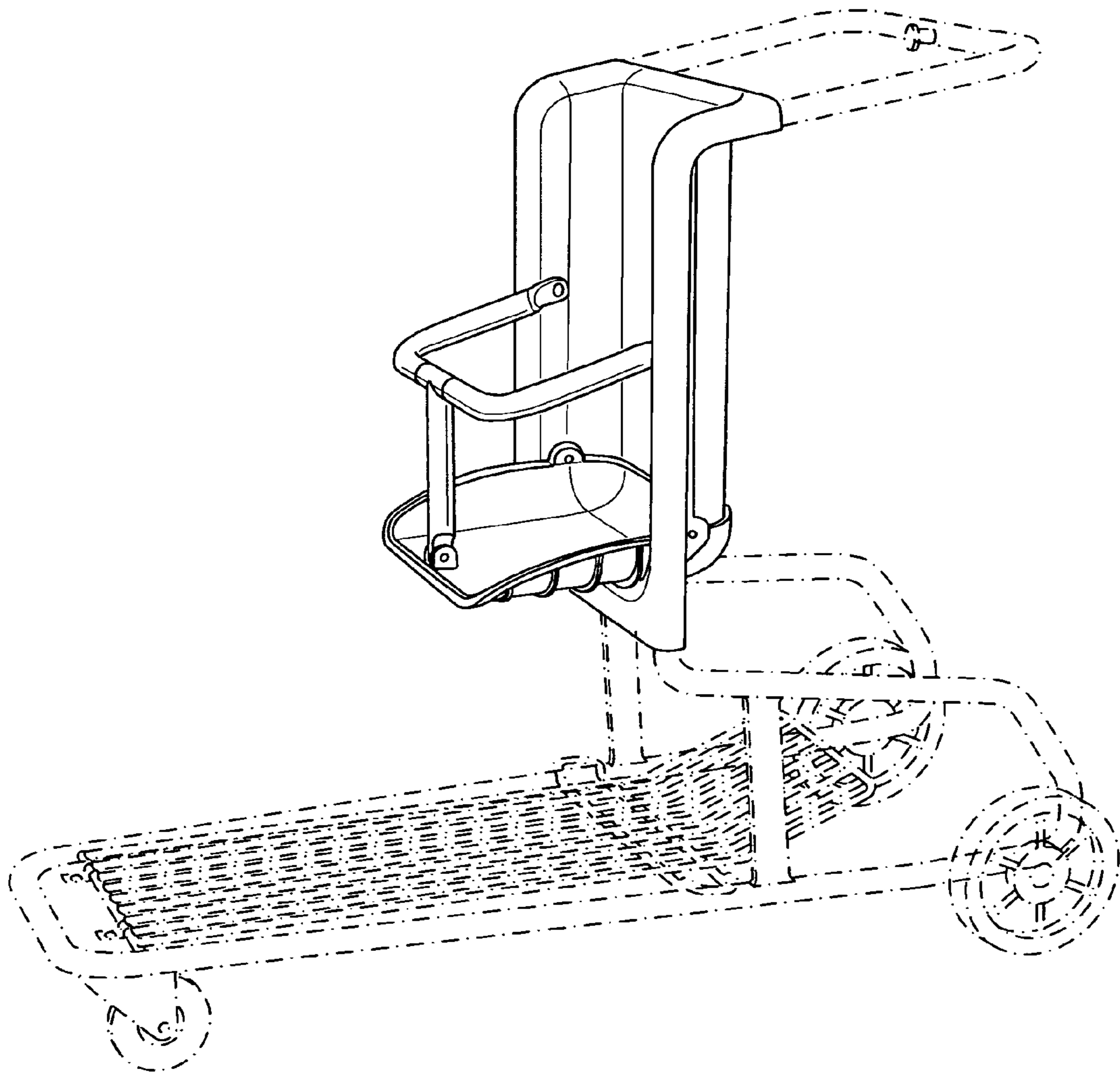


FIG. 7

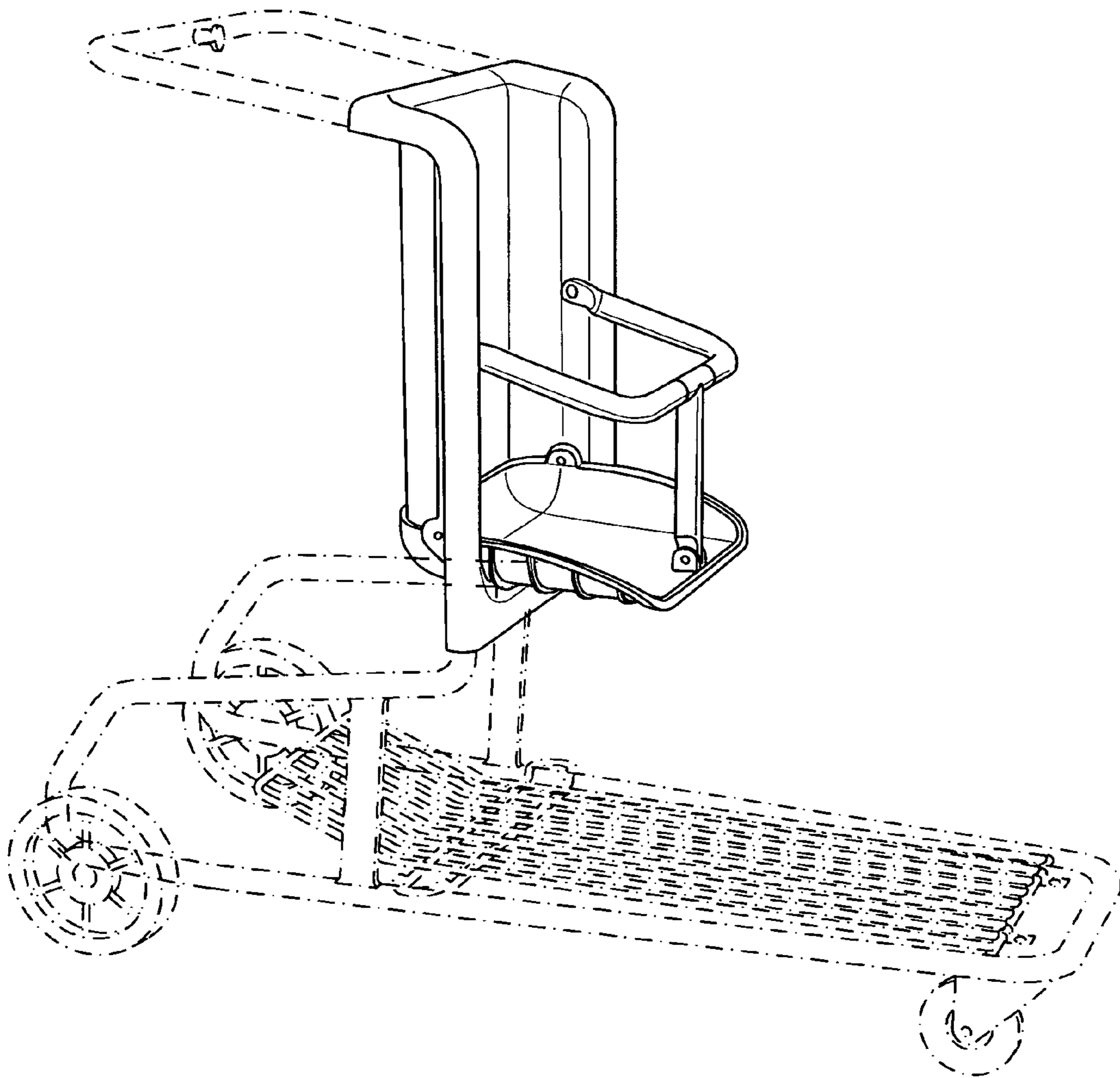


FIG. 8

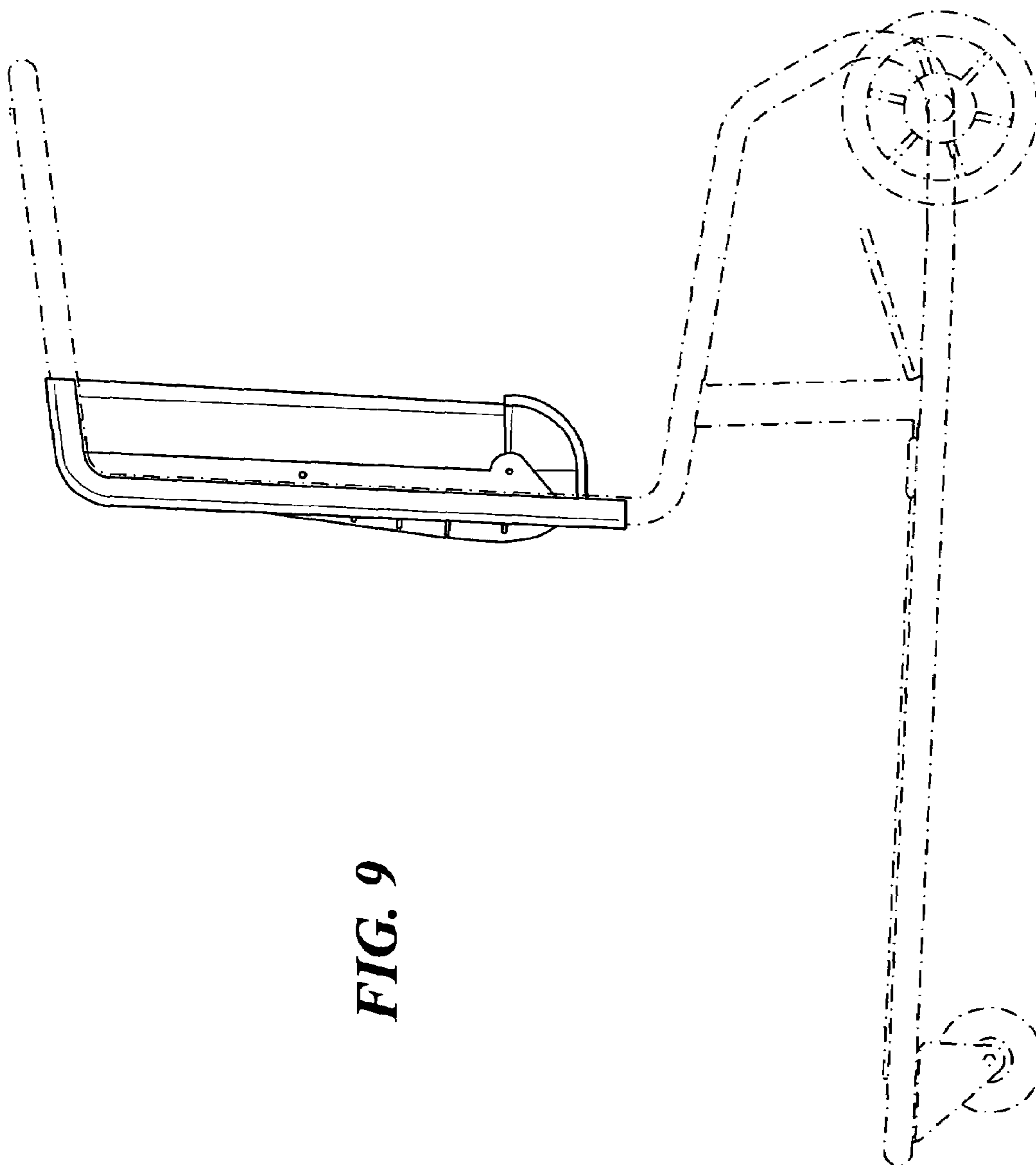


FIG. 9

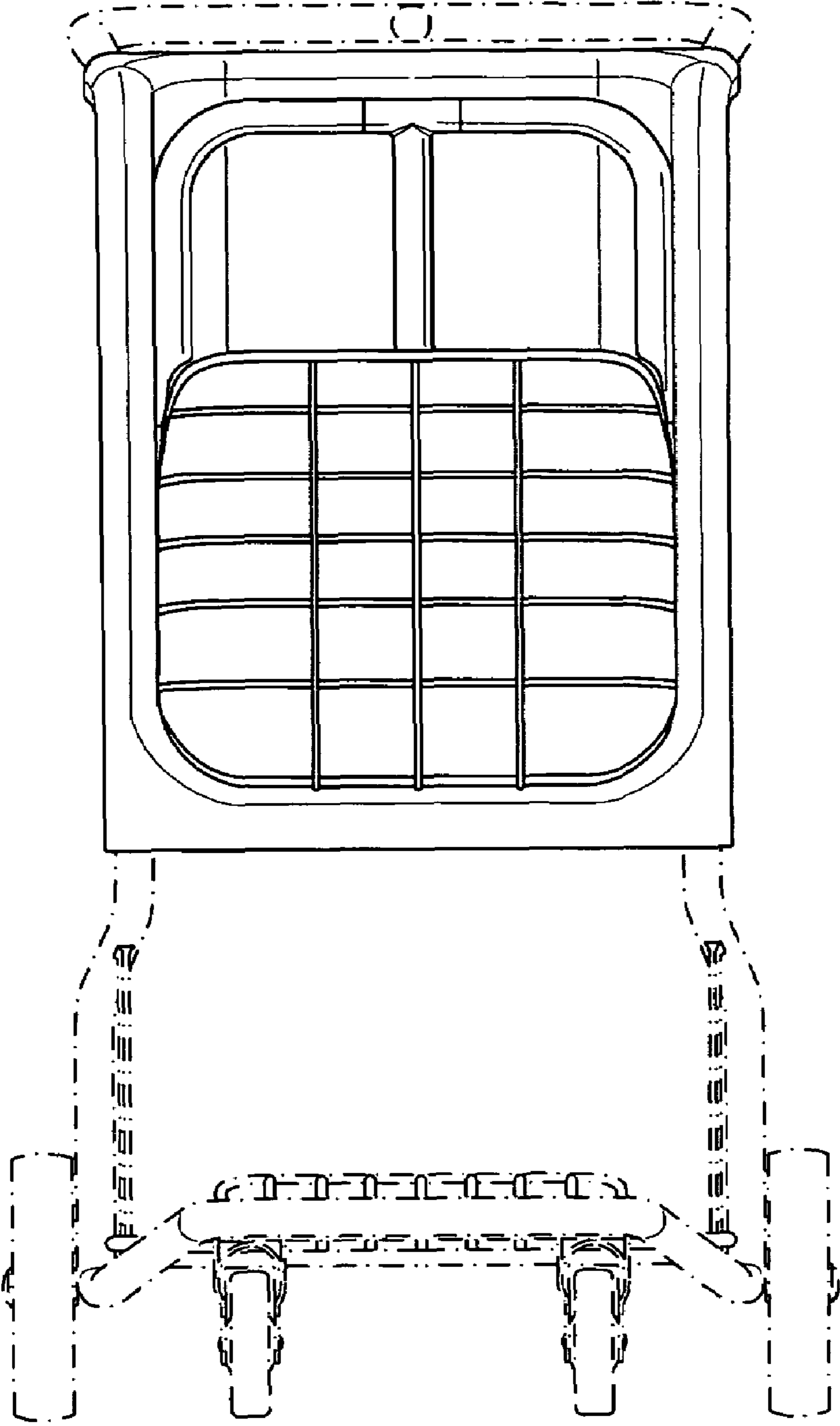


FIG. 10

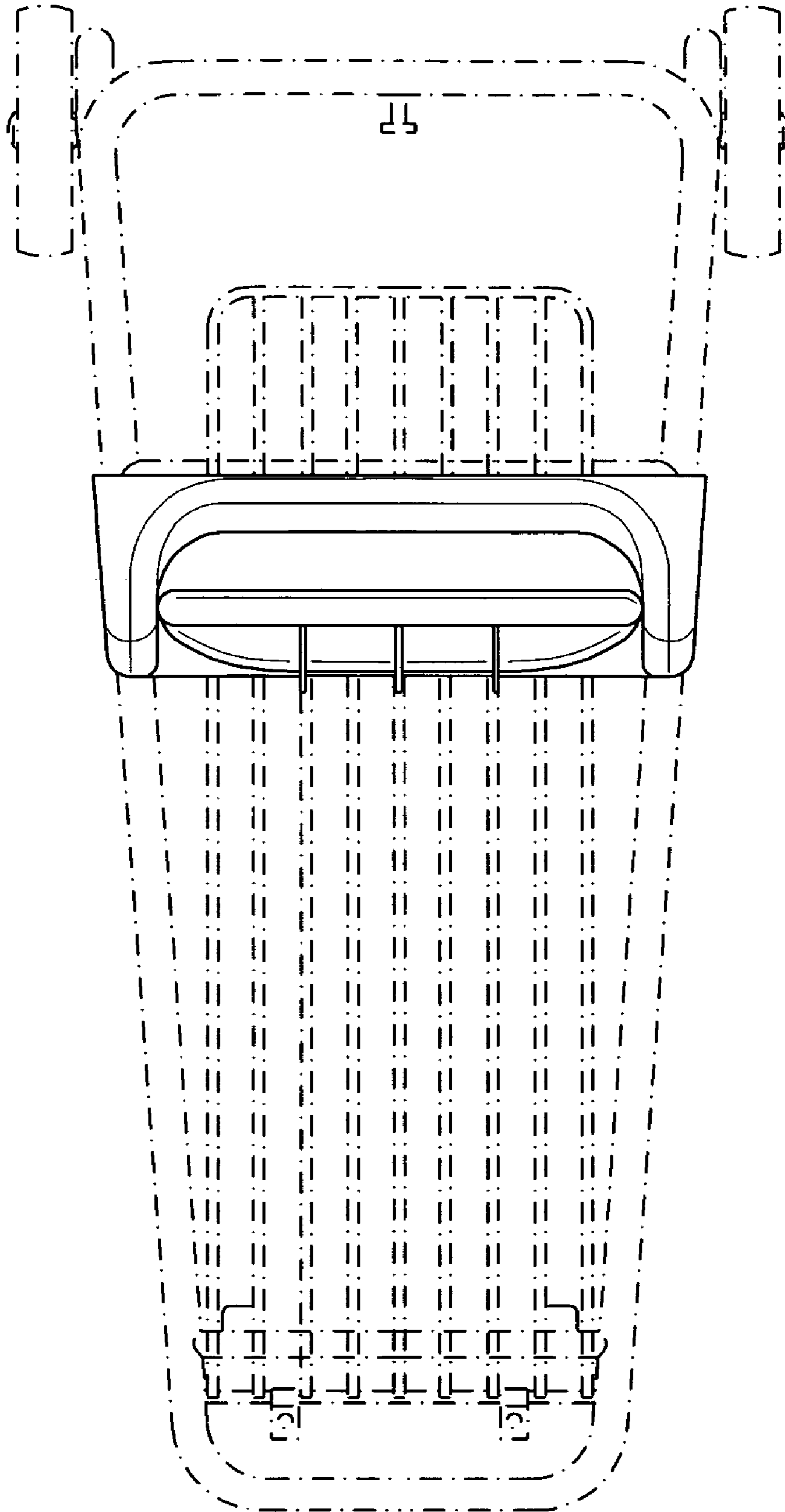


FIG. 11

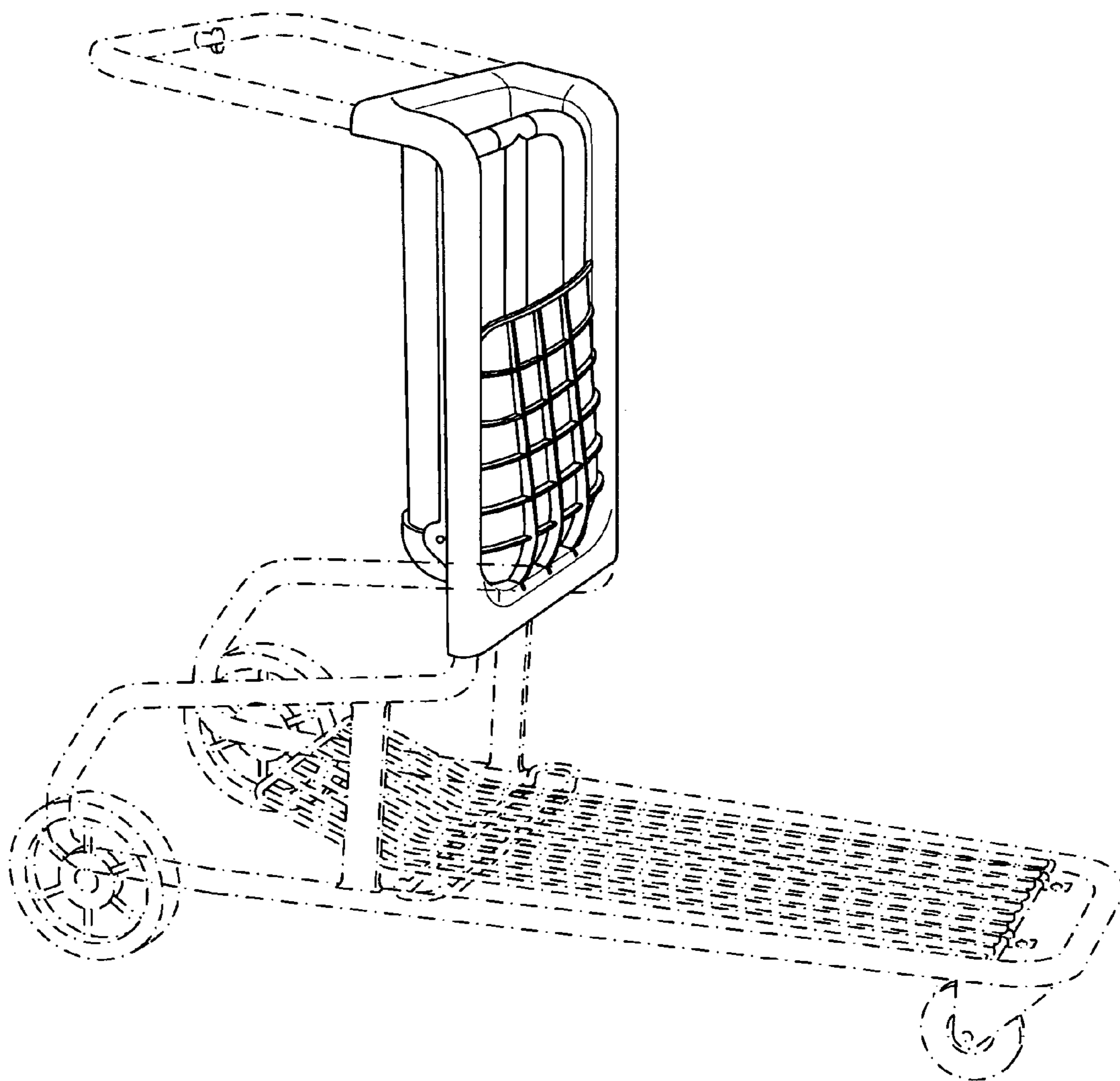


FIG. 12