



US00D598646S

(12) **United States Design Patent**
Castaline et al.

(10) **Patent No.:** **US D598,646 S**

(45) **Date of Patent:** **** Aug. 25, 2009**

(54) **KEY FINDER**

(76) Inventors: **Jeffrey J. Castaline**, 41 S. Railroad Ave., San Mateo, CA (US) 94401;
Hiroyuki Kobayashi, 41 S. Railroad Ave., San Mateo, CA (US) 94401

(**) Term: **14 Years**

(21) Appl. No.: **29/313,857**

(22) Filed: **Feb. 17, 2009**

(51) **LOC (9) Cl.** **03-01**

(52) **U.S. Cl.** **D3/207**

(58) **Field of Classification Search** D11/207-212,
D11/31-33, 44, 48-51, 66; 70/456 R, 458 B,
70/457-460, 458; 24/3.6, 3.12, 576.1, 578.14,
24/666; D13/168; 362/116; D8/348
See application file for complete search history.

(56) **References Cited**

U.S. PATENT DOCUMENTS

1,189,199	A	6/1916	Hachmann	
1,206,074	A	11/1916	Zweiner et al.	
1,215,283	A	2/1917	Kirkland	
1,276,137	A	8/1918	Waid	
1,289,817	A	12/1918	Krom	
1,418,979	A	6/1922	Seferlis	
3,707,742	A	1/1973	Justice et al.	24/86 B
D270,303	S *	8/1983	Zautner	D3/226
D306,739	S *	3/1990	Mackiewich	D3/266
D306,798	S *	3/1990	McVey	D3/215
D309,674	S *	8/1990	Gervase	D3/226
D313,120	S *	12/1990	Hohlfeld	D3/228

D328,085	S *	7/1992	Rickabus	D3/266
D350,636	S *	9/1994	Spratley	D2/500
D364,269	S *	11/1995	Sabosky	D3/207
D368,508	S *	4/1996	Garrett	D20/22
5,619,774	A	4/1997	Perry	24/3.6
D415,343	S	10/1999	Maddox	D3/215
D416,675	S *	11/1999	MacDonald	D3/207
D439,401	S	3/2001	Johnson	D3/211
D478,207	S	8/2003	Johnson	D3/207
D499,543	S	12/2004	Johnson	D3/211
D581,655	S	12/2008	Johnson	D3/211
2004/0178240	A1	9/2004	Bauer	224/268

* cited by examiner

Primary Examiner—R. Seifert

(74) *Attorney, Agent, or Firm*—Deborah Wenocur

(57) **CLAIM**

The ornamental design for a key finder, as shown and described.

DESCRIPTION

FIG. 1 is a perspective view of a key finder showing our new design;

FIG. 2 is a front elevational view;

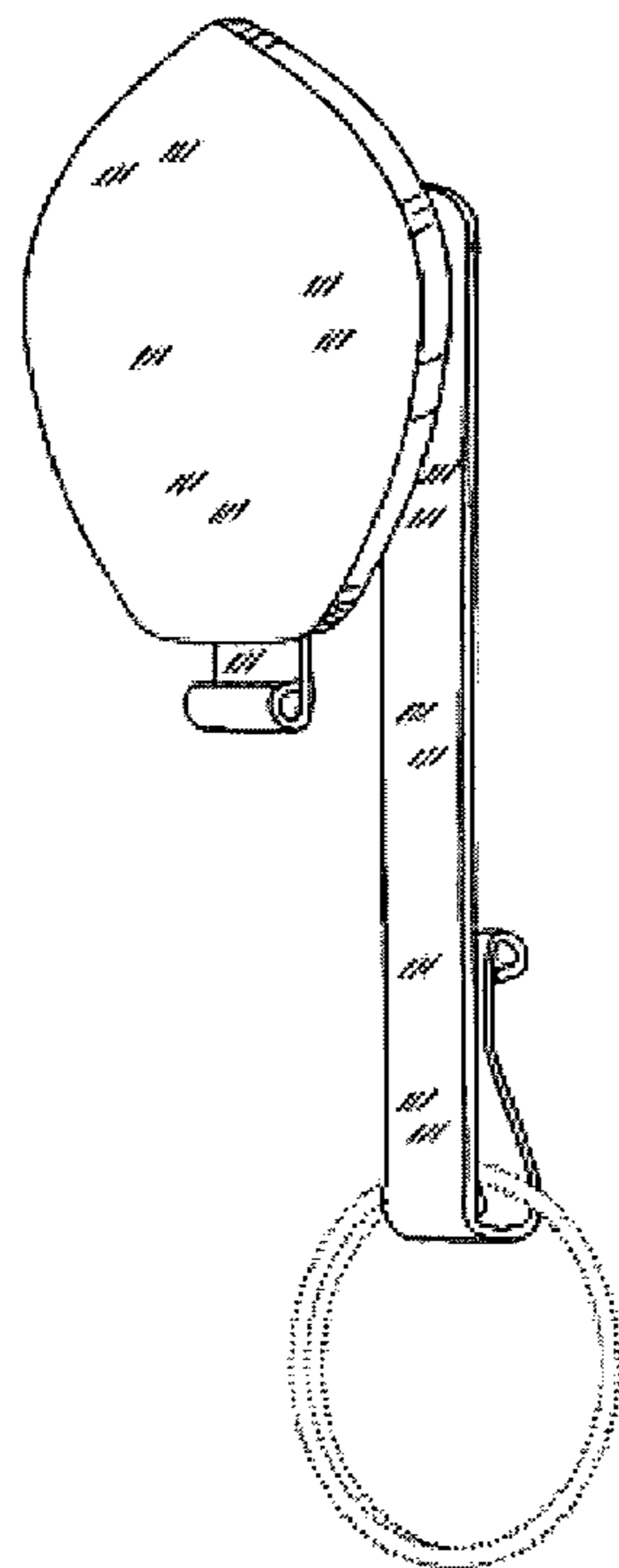
FIG. 3 is a side elevational view;

FIG. 4 is a rear elevational view; and,

FIG. 5 is a top plan view.

All portions shown in broken lines are environmental and illustrative only, and form no part of the claimed design.

1 Claim, 1 Drawing Sheet



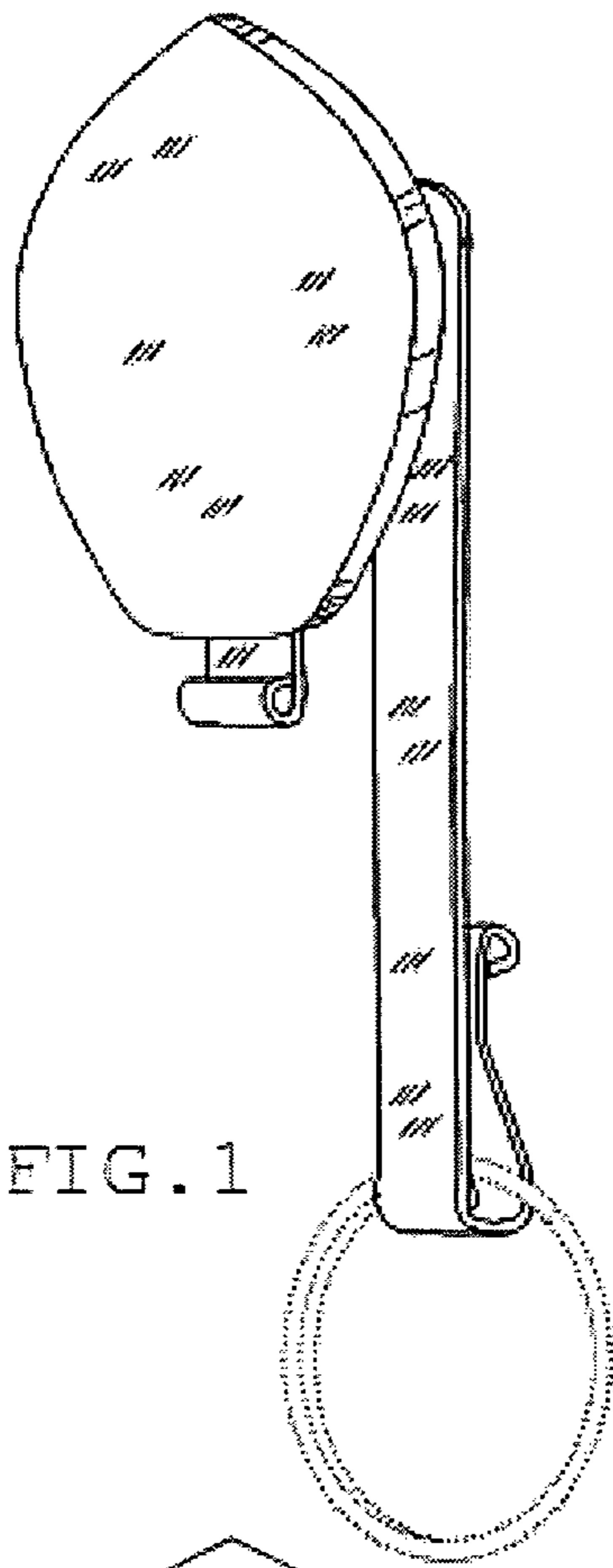


FIG. 1

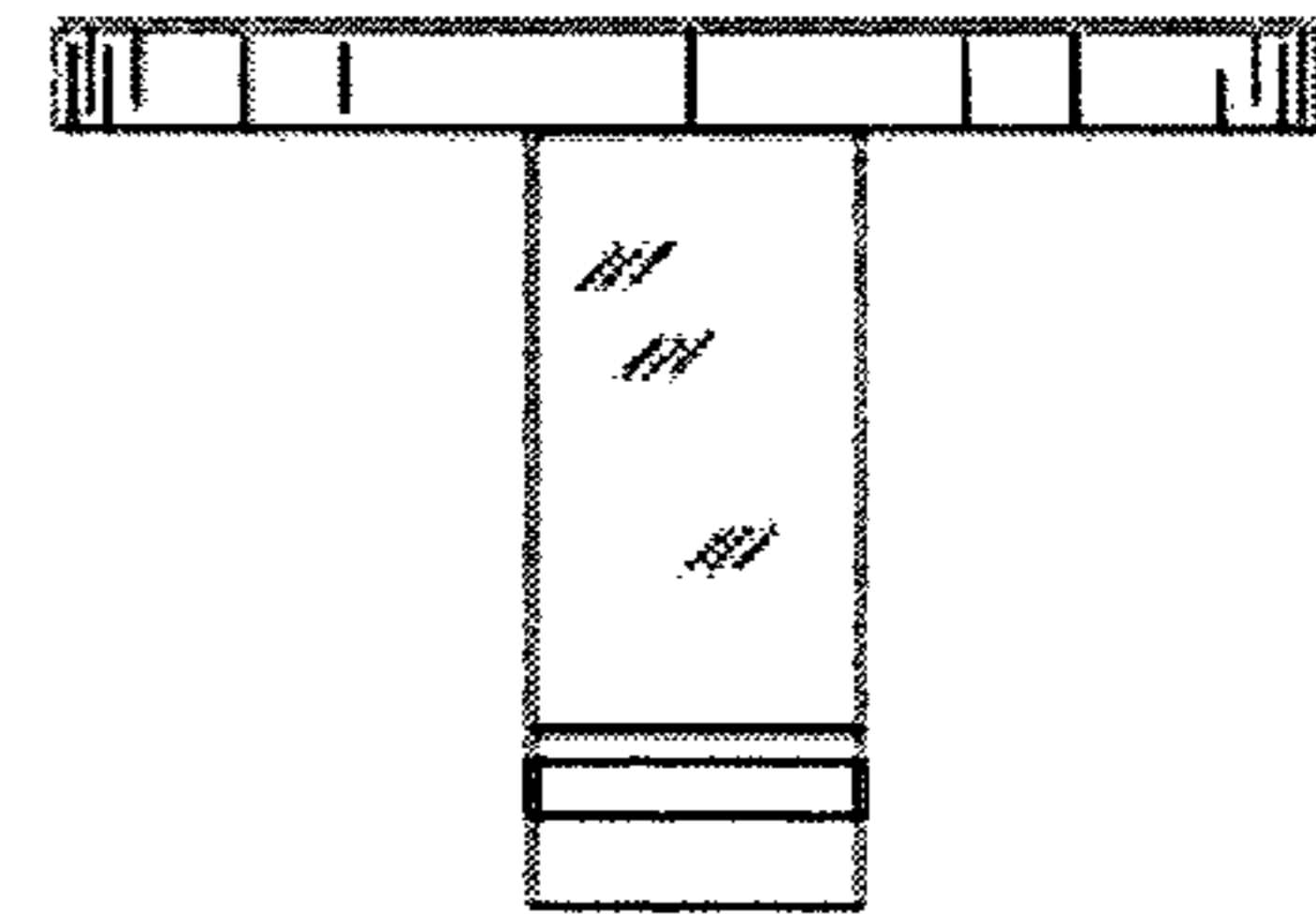


FIG. 5

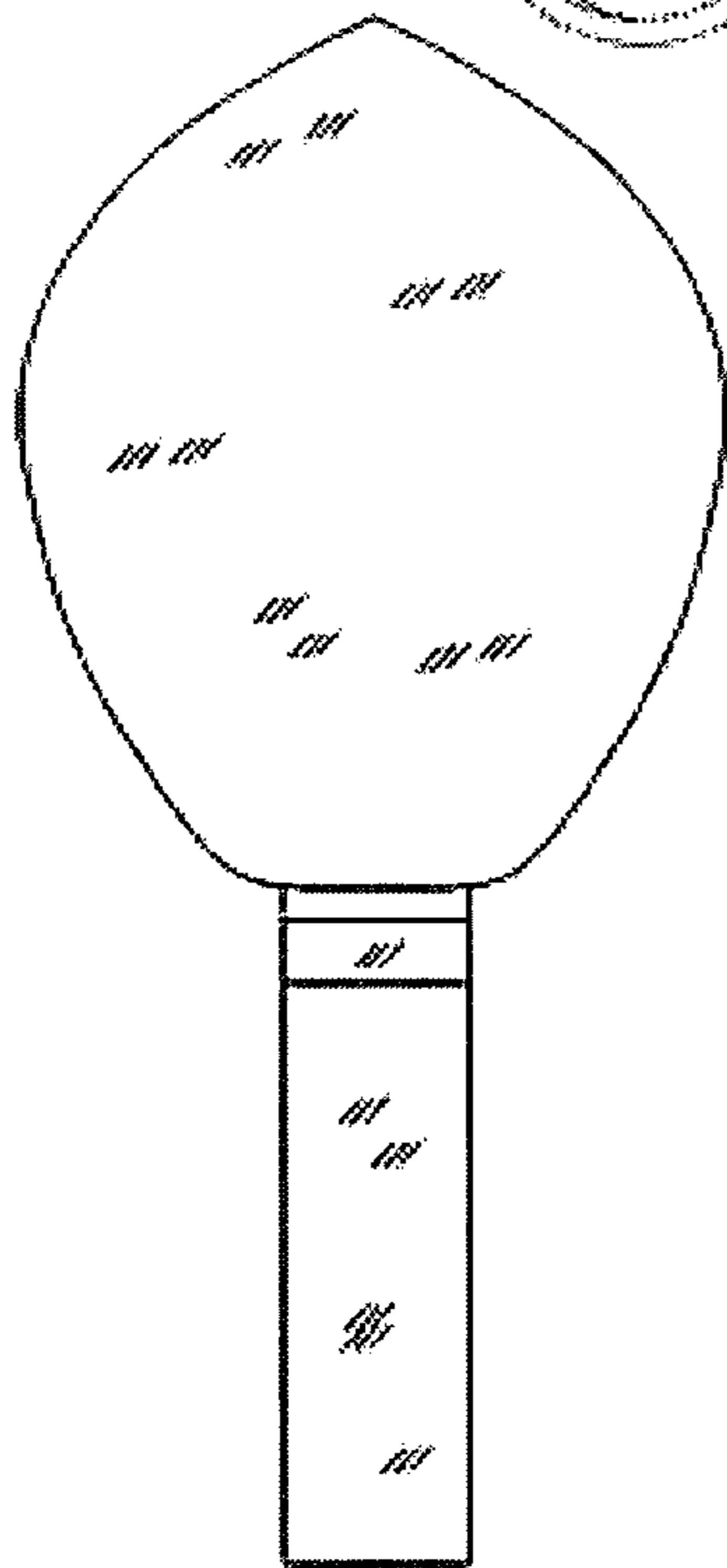


FIG. 2

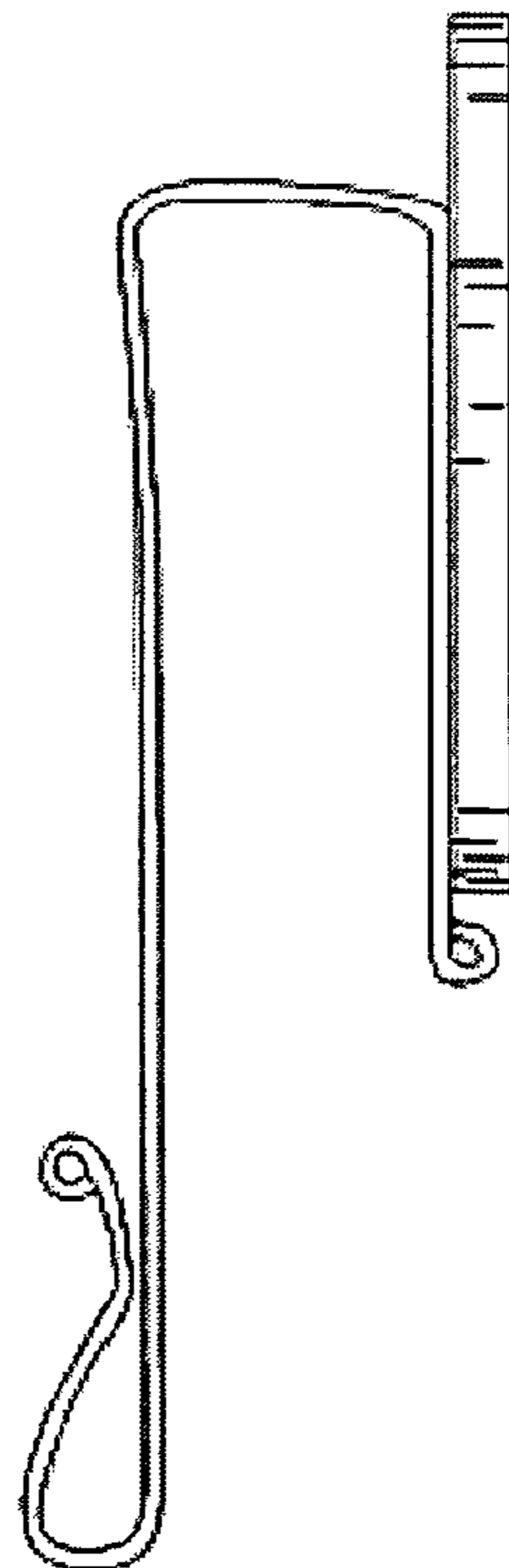


FIG. 3

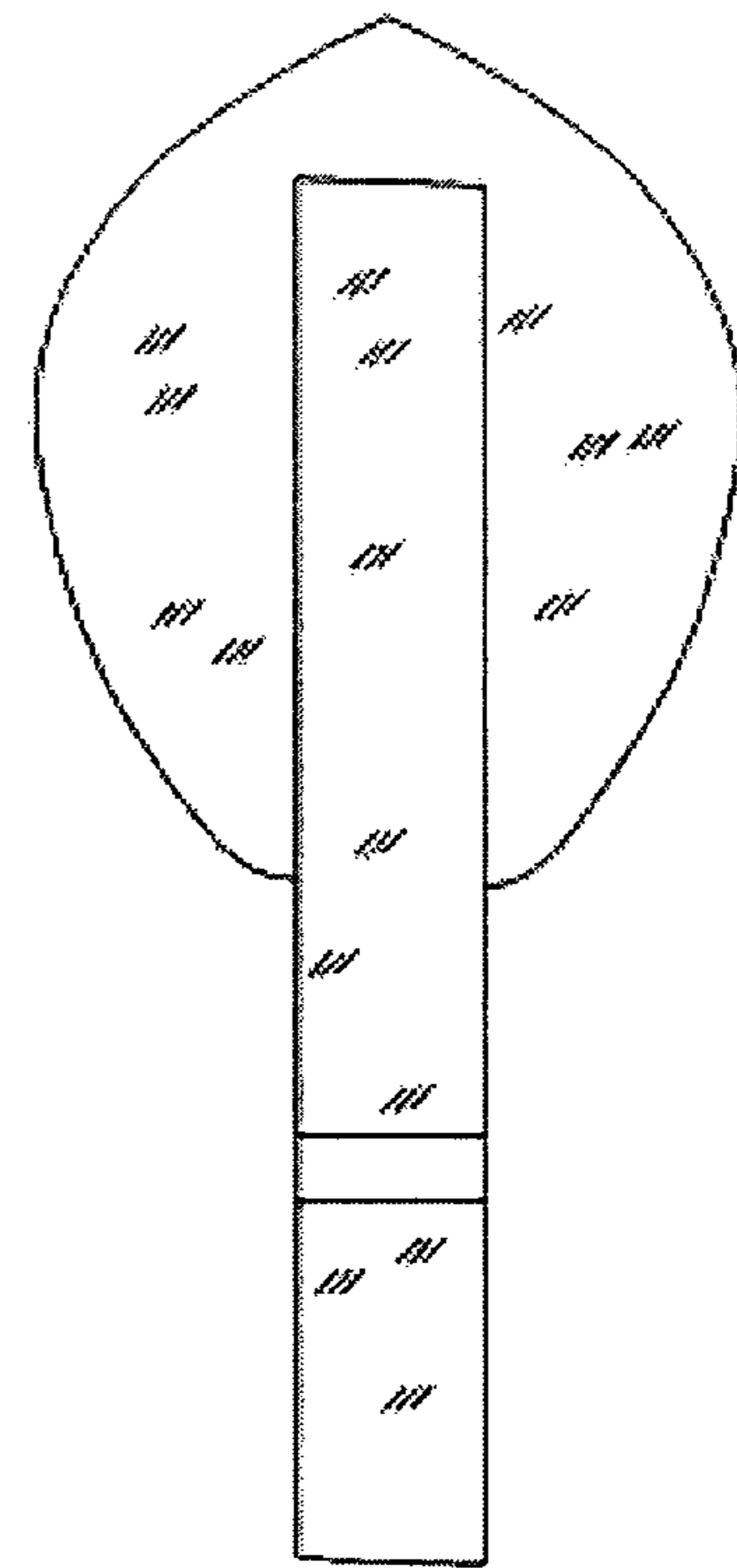


FIG. 4