



US00D598644S

(12) **United States Design Patent**  
**Solari et al.**

(10) **Patent No.:** **US D598,644 S**

(45) **Date of Patent:** **\*\* Aug. 25, 2009**

(54) **CONTAINER WITH A CLIP**

D562,544 S \* 2/2008 Monk ..... D3/202

\* cited by examiner

(75) Inventors: **Clive Steven Solari**, Paddington (AU);  
**Paul Owen**, Paddington (AU); **Scott**  
**Brackenreg**, Paddington (AU)

*Primary Examiner*—Catherine R Oliver

(74) *Attorney, Agent, or Firm*—D. Peter Hochberg; Sean F.  
Mellino; Daniel J. Smola

(73) Assignee: **Fluid Fashions Pty. Ltd.**, Sydney (AU)

(57) **CLAIM**

(\*\*) Term: **14 Years**

The ornamental design for a container with a clip, as shown  
and described.

(21) Appl. No.: **29/312,558**

(22) Filed: **Oct. 30, 2008**

**DESCRIPTION**

(30) **Foreign Application Priority Data**

May 1, 2008 (AU) ..... 12037/2008

FIG. 1 is a perspective view of the container with a clip  
according to the invention;

(51) **LOC (9) Cl.** ..... **09-02**

(52) **U.S. Cl.** ..... **D3/202**

FIG. 2 is a top view of the container with a clip as shown in  
FIG. 1;

(58) **Field of Classification Search** ..... D3/202,  
D3/229, 201, 263, 901; 224/148.1, 148.4,  
224/14.78; 206/547; 220/23.86, 23.83

FIG. 3 is a front view of the container with a clip as shown in  
FIG. 1;

See application file for complete search history.

FIG. 4 is a side view of the container with a clip as shown in  
FIG. 1;

(56) **References Cited**

**U.S. PATENT DOCUMENTS**

D205,736 S \* 9/1966 Jordan ..... D3/202

D413,432 S \* 9/1999 Much ..... D3/202

D443,980 S \* 6/2001 Stewart ..... D3/202

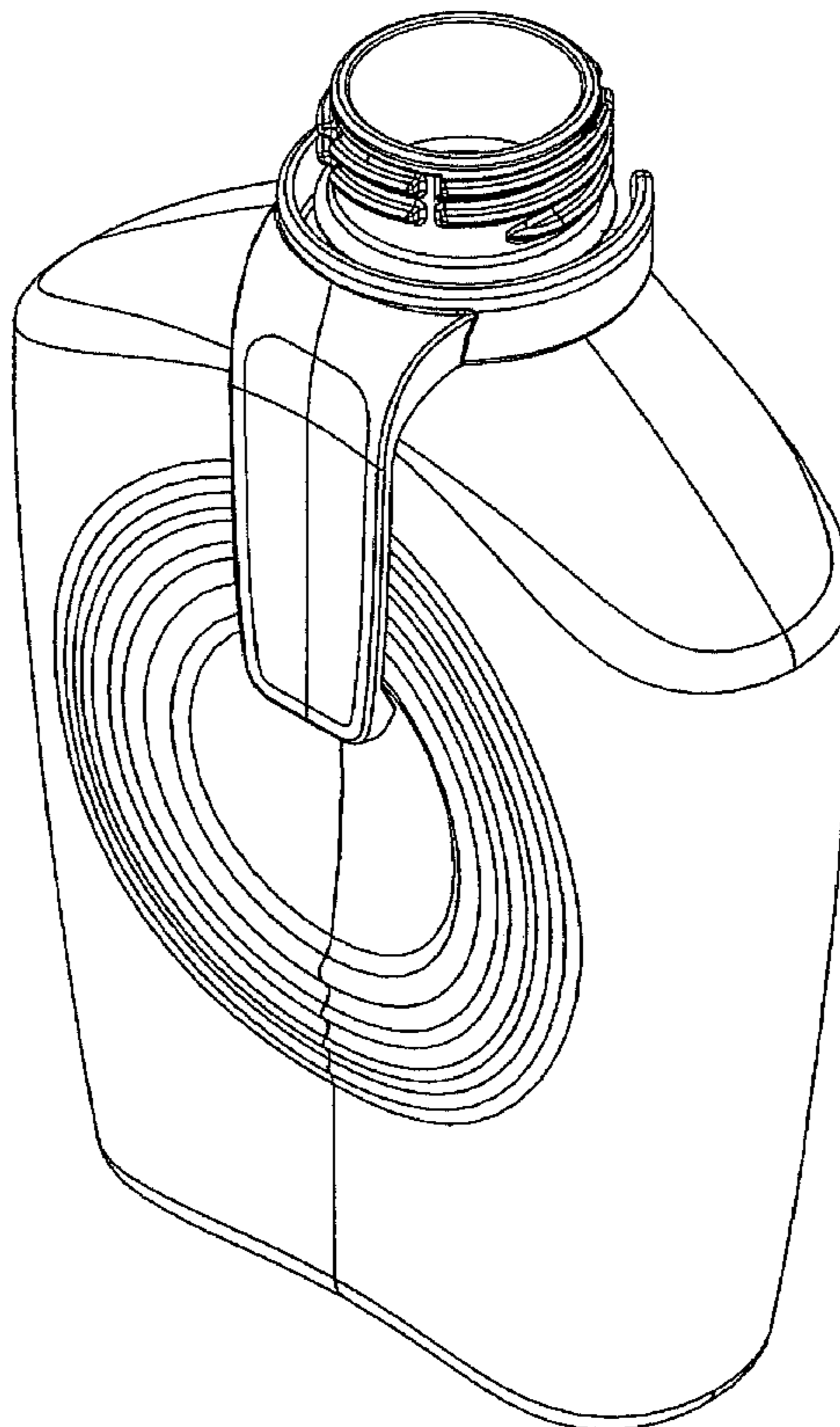
6,279,794 B1 \* 8/2001 Miyazaki ..... 224/148.4

FIG. 5 is a rear view of the container with a clip as shown in  
FIG. 1;

FIG. 6 is a side view of the container with a clip as shown in  
FIG. 1, shown from the opposite side as that shown in FIG. 4;  
and,

FIG. 7 is a bottom view of the container with a clip as shown  
in FIG. 1.

**1 Claim, 7 Drawing Sheets**



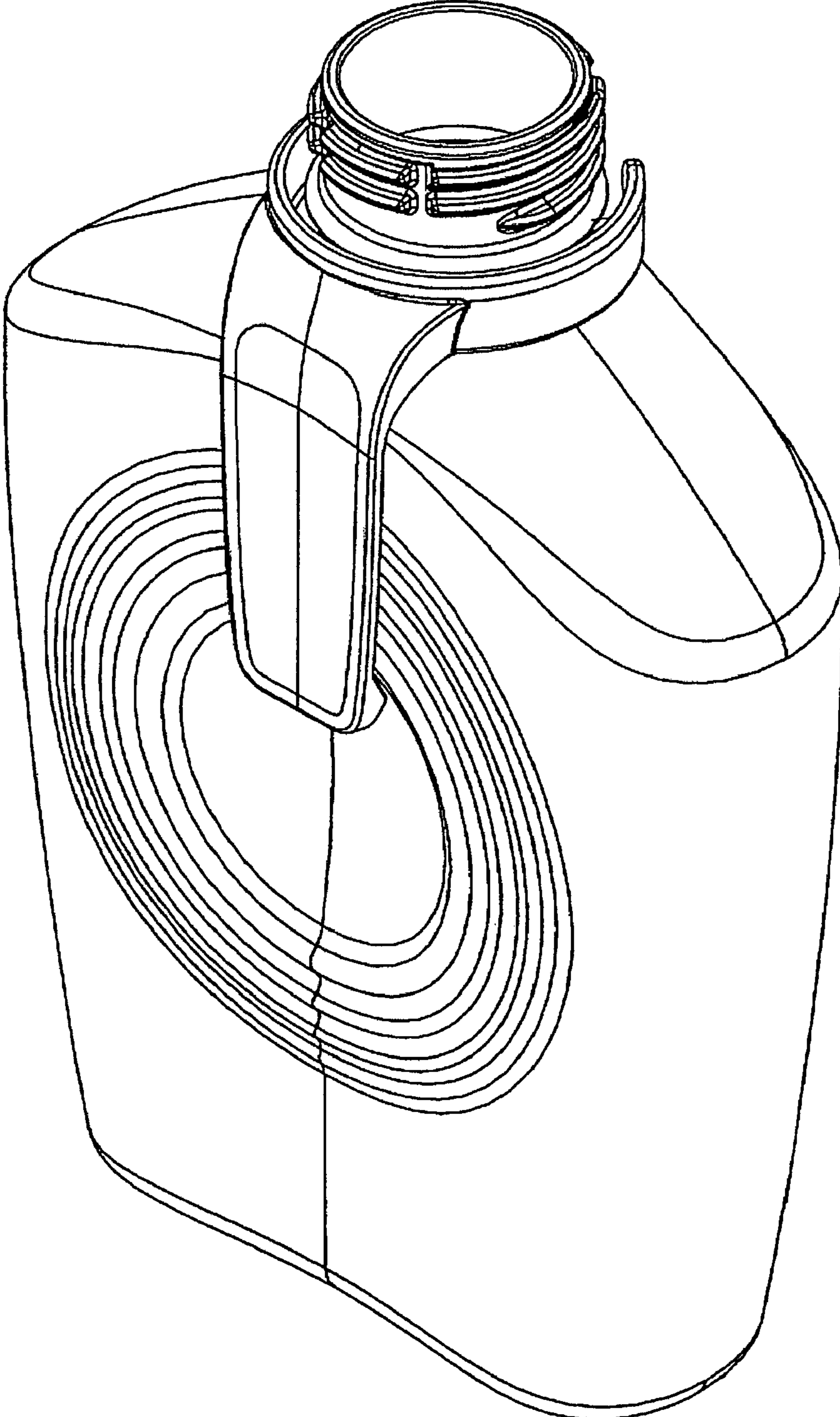
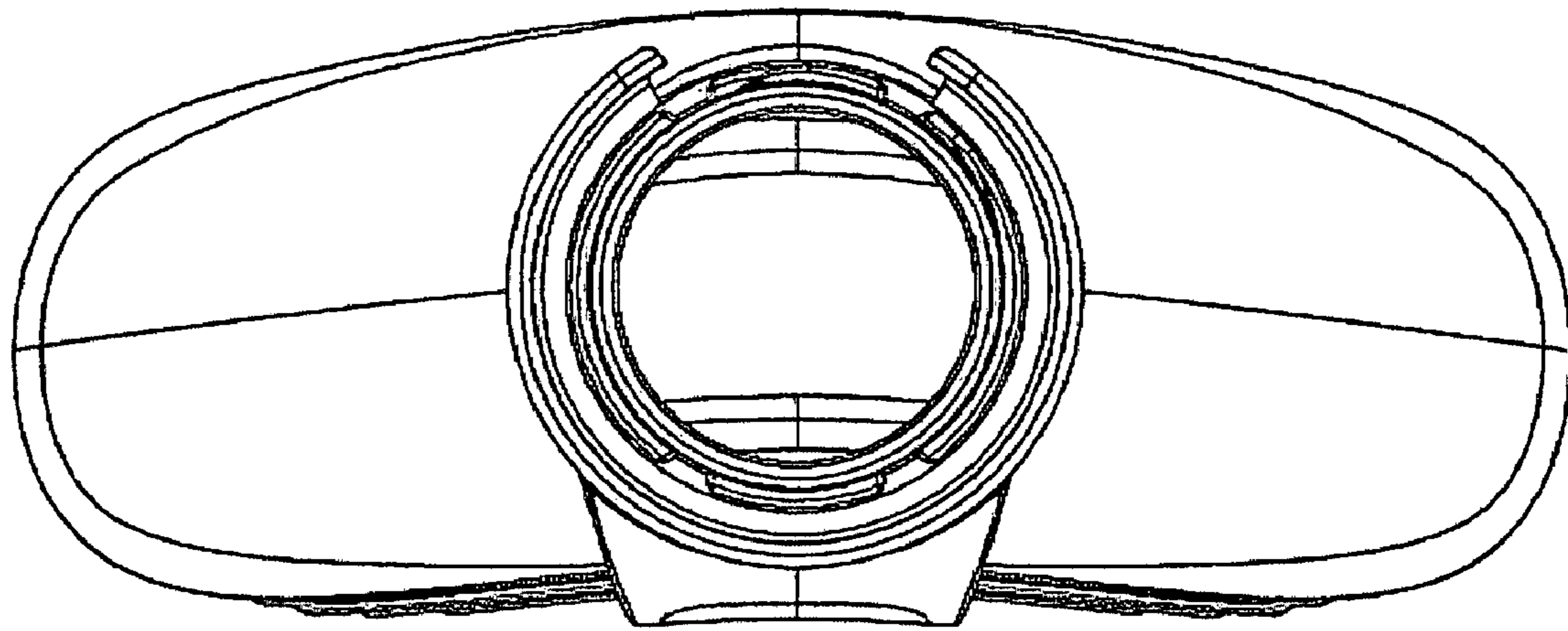


Fig. 1



**Fig. 2**

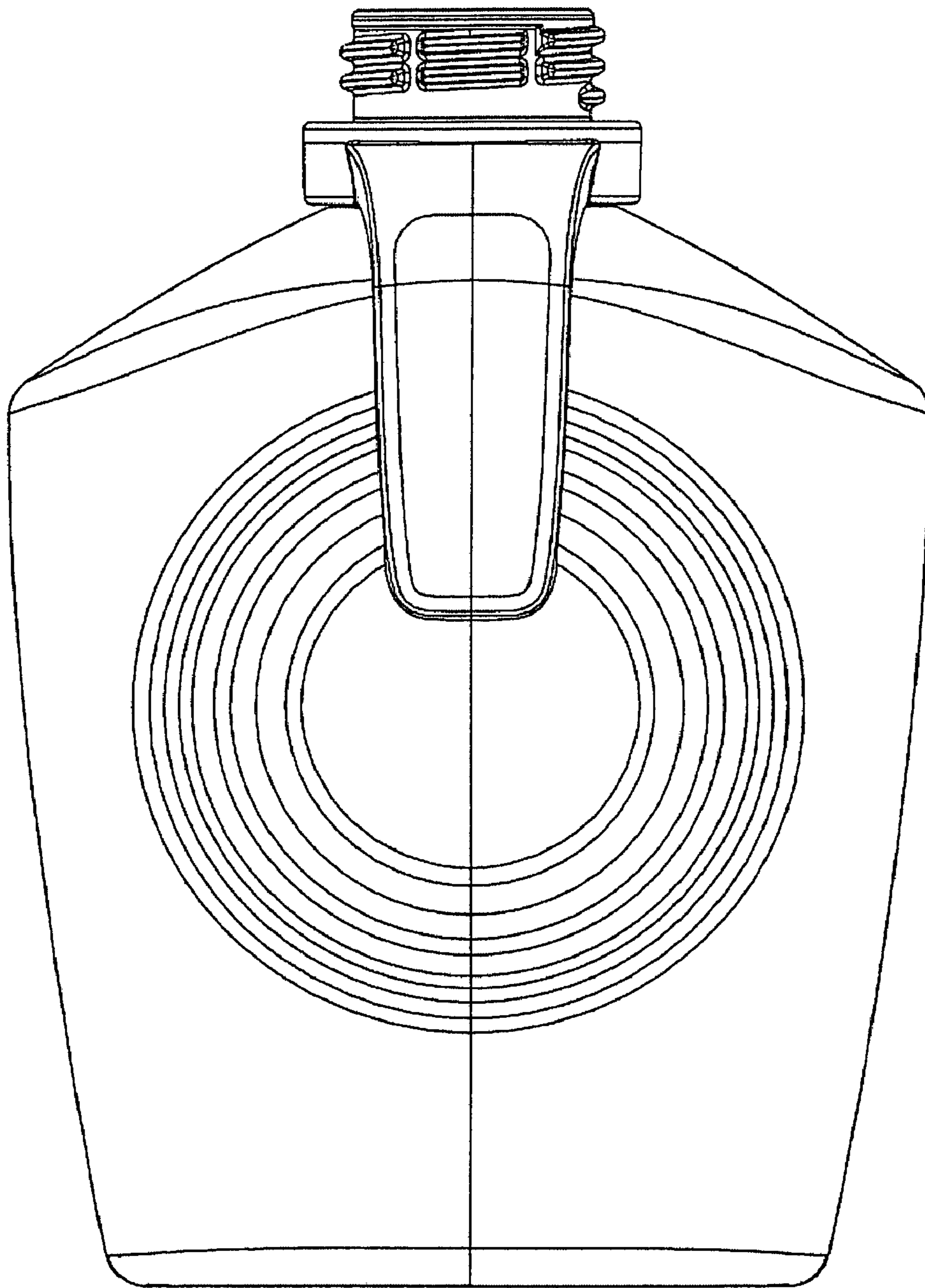


Fig. 3

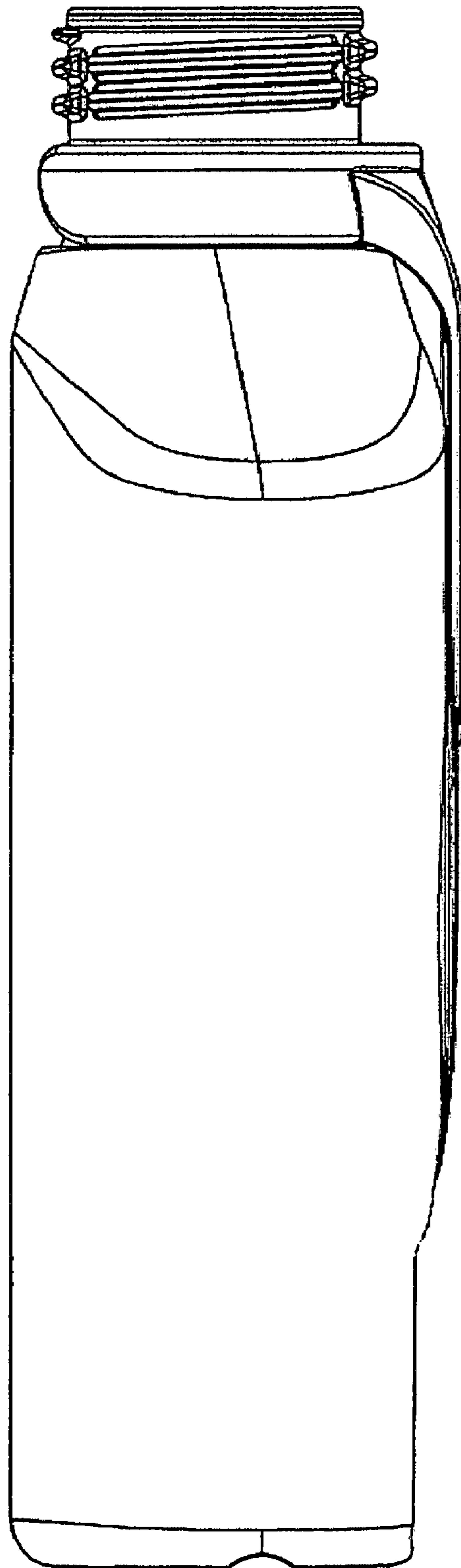


Fig. 4

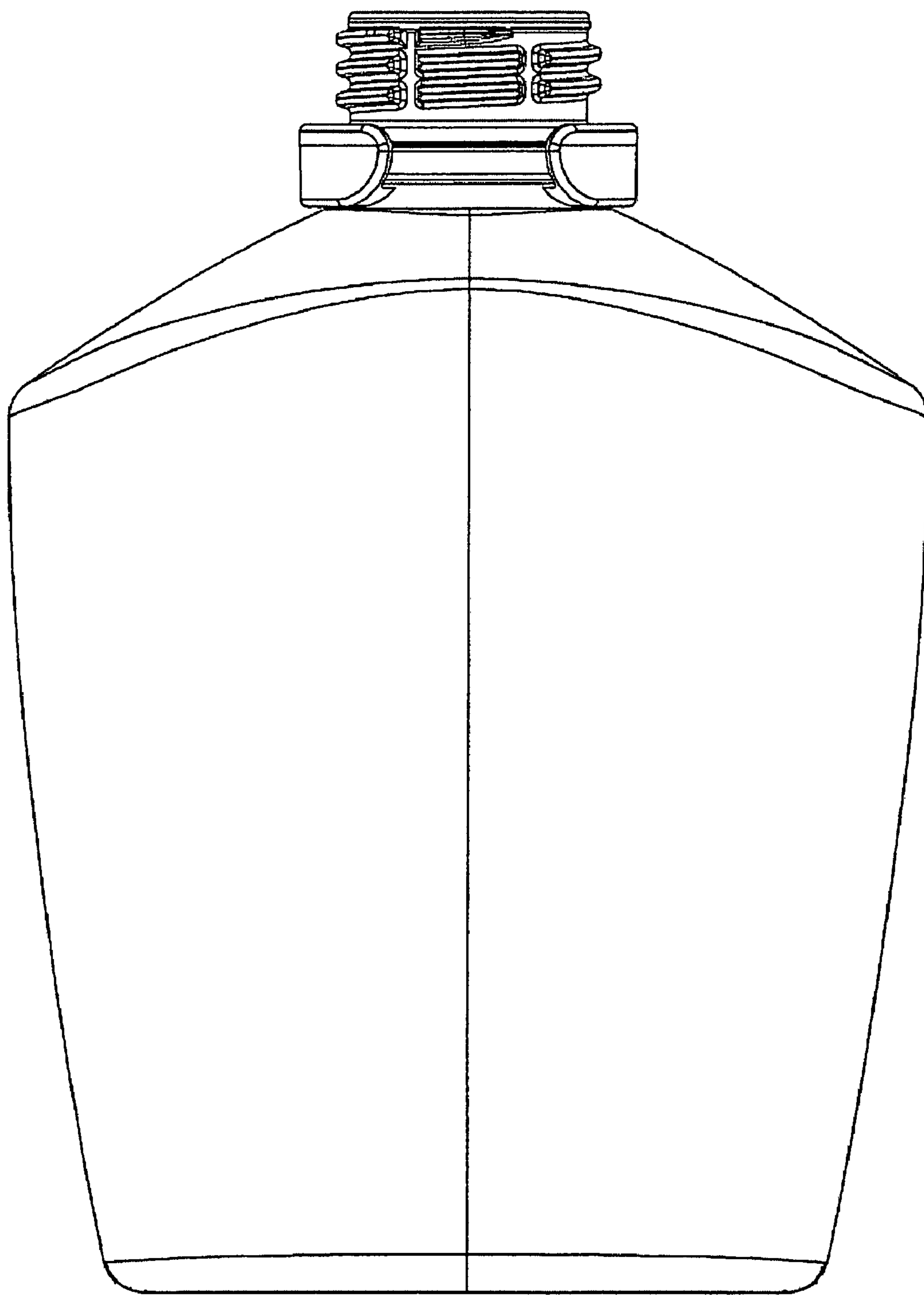


Fig. 5

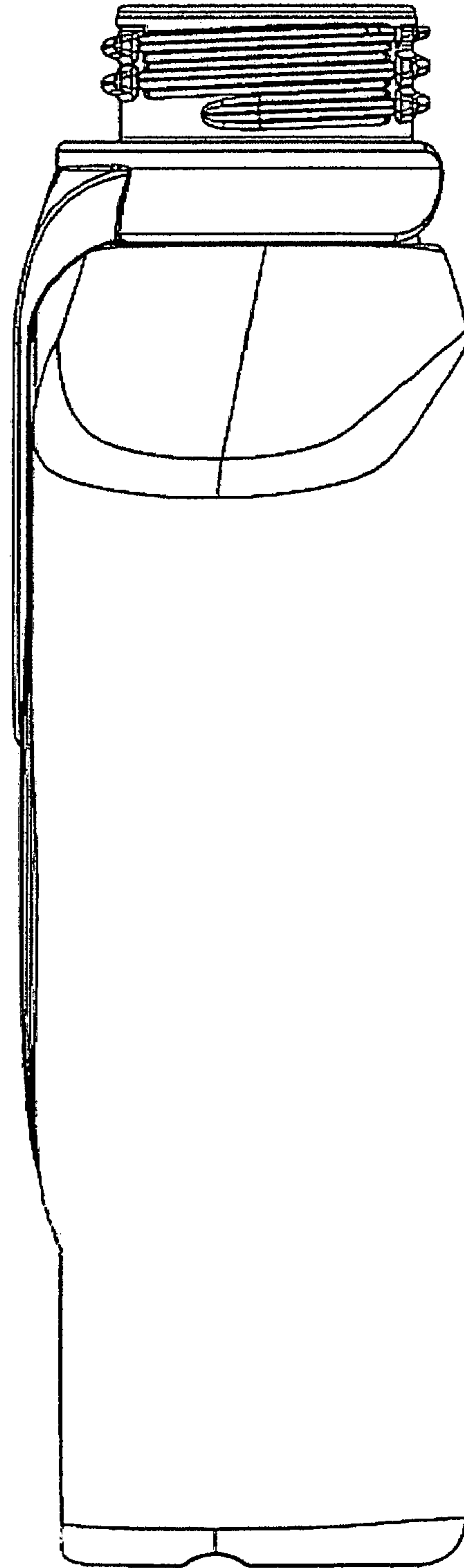


Fig. 6

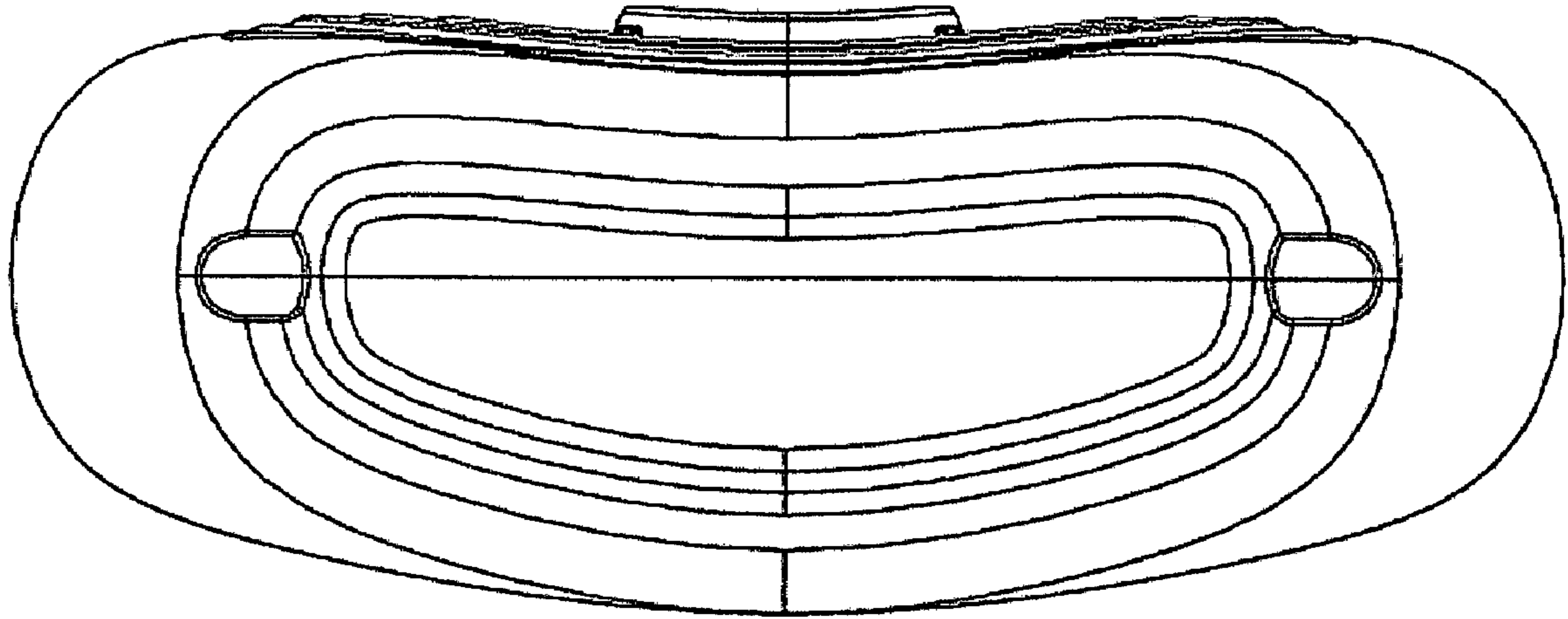


Fig. 7