



US00D598638S

(12) **United States Design Patent**
Graneto, III

(10) **Patent No.:** **US D598,638 S**

(45) **Date of Patent:** **** Aug. 25, 2009**

(54) **DISPOSABLE MEDICAL GOWN**

(75) Inventor: **Joseph A. Graneto, III**, Wildwood, MO (US)

(73) Assignee: **Salus Corporation**, St. Louis, MO (US)

(**) Term: **14 Years**

(21) Appl. No.: **29/321,649**

(22) Filed: **Jul. 21, 2008**

(51) **LOC (9) Cl.** **02-02**

(52) **U.S. Cl.** **D2/720**

(58) **Field of Classification Search** D2/717,
D2/840, 841, 844, 720, 739; 2/106, 113,
2/115, 116, 125

See application file for complete search history.

(56) **References Cited**

U.S. PATENT DOCUMENTS

| | | | | | | |
|-----------|---|---|---------|----------------|-------|--------|
| D53,089 | S | * | 3/1919 | Selsor | | D2/847 |
| D59,555 | S | * | 11/1921 | Ladd | | D2/861 |
| 2,469,246 | A | * | 5/1949 | Smicker | | 2/113 |
| 3,736,597 | A | * | 6/1973 | Artzt | | 2/111 |
| 4,608,719 | A | * | 9/1986 | Lunt | | 2/114 |
| 4,829,602 | A | * | 5/1989 | Harreld et al. | | 2/51 |
| 5,036,547 | A | * | 8/1991 | Silas | | 2/49.1 |
| D356,204 | S | * | 3/1995 | Derrickson | | D2/720 |
| 5,444,873 | A | * | 8/1995 | Levin | | 2/114 |
| D533,982 | S | * | 12/2006 | Graneto, III | | D2/720 |

* cited by examiner

Primary Examiner—Ian Simmons

Assistant Examiner—R. Johnson

(74) *Attorney, Agent, or Firm*—Armstrong Teasdale LLP

(57) **CLAIM**

I claim the ornamental design for a disposable medical gown, as shown and described.

DESCRIPTION

FIG. 1 is a rear view of a disposable medical gown;

FIG. 2 is a front view of the disposable medical gown;

FIG. 3 is a material cut out view of the disposable medical gown with the back portion of the gown yet to be folded and attached to form the sleeves;

FIG. 4 is a detailed rear view of the disposable medical gown shown in FIG. 1; and

FIG. 5 is a detailed rear view of the disposable medical gown shown in FIG. 1.

FIG. 6 is a rear view of the disposable medical gown as worn by a user in an open configuration; and,

FIG. 7 is a rear view of the disposable medical gown as worn by a user in a closed configuration.

The horizontal broken line disclosure in FIG. 3 represents a fold line. The broken lines in FIGS. 6 and 7, representing portions of the human form and showing the gown in use, form no part of the claimed design.

The alternating ellipses and broken line segments represent vent holes and perforations, respectively, and each curved ellipse represents a perforation on the article.

1 Claim, 7 Drawing Sheets

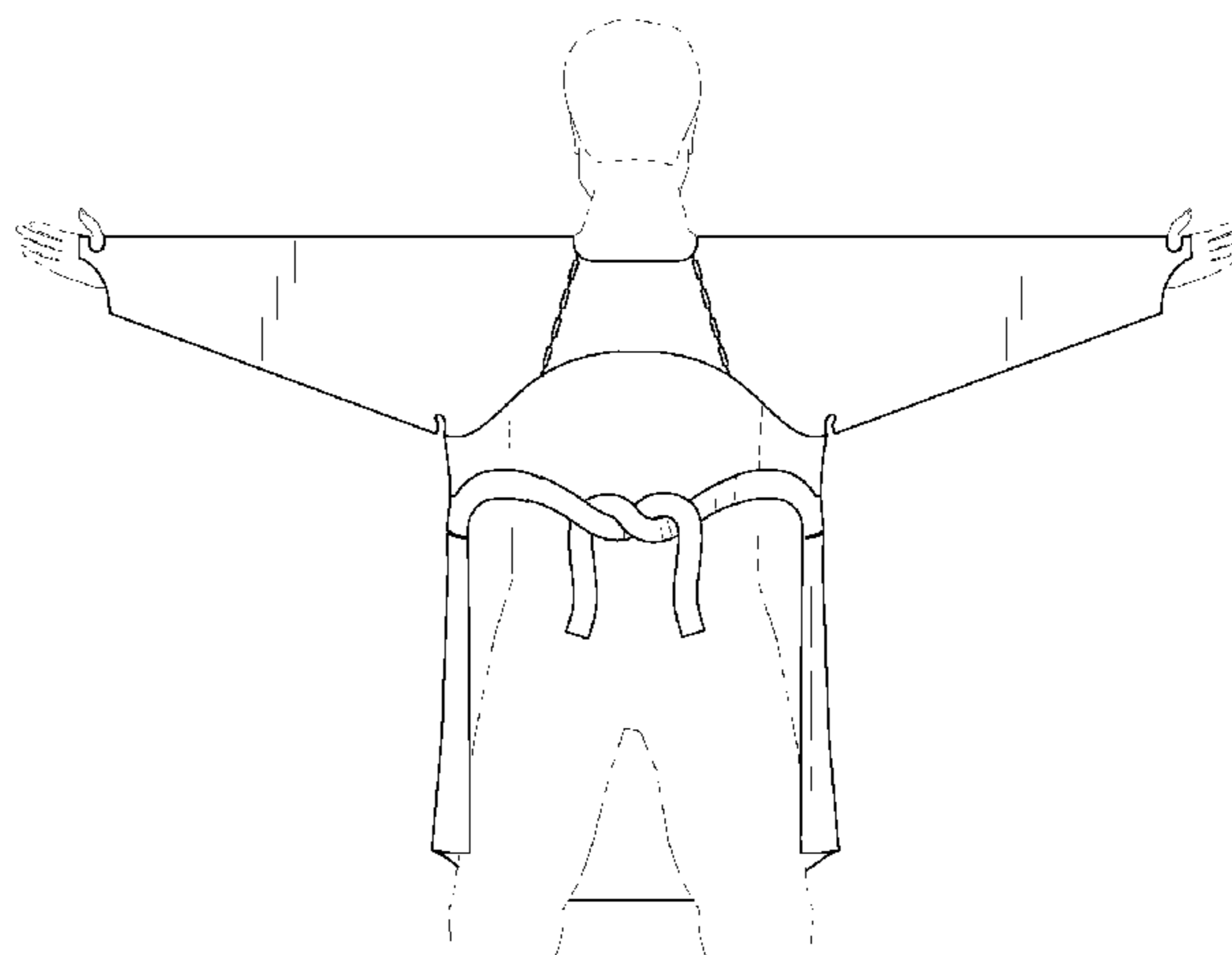
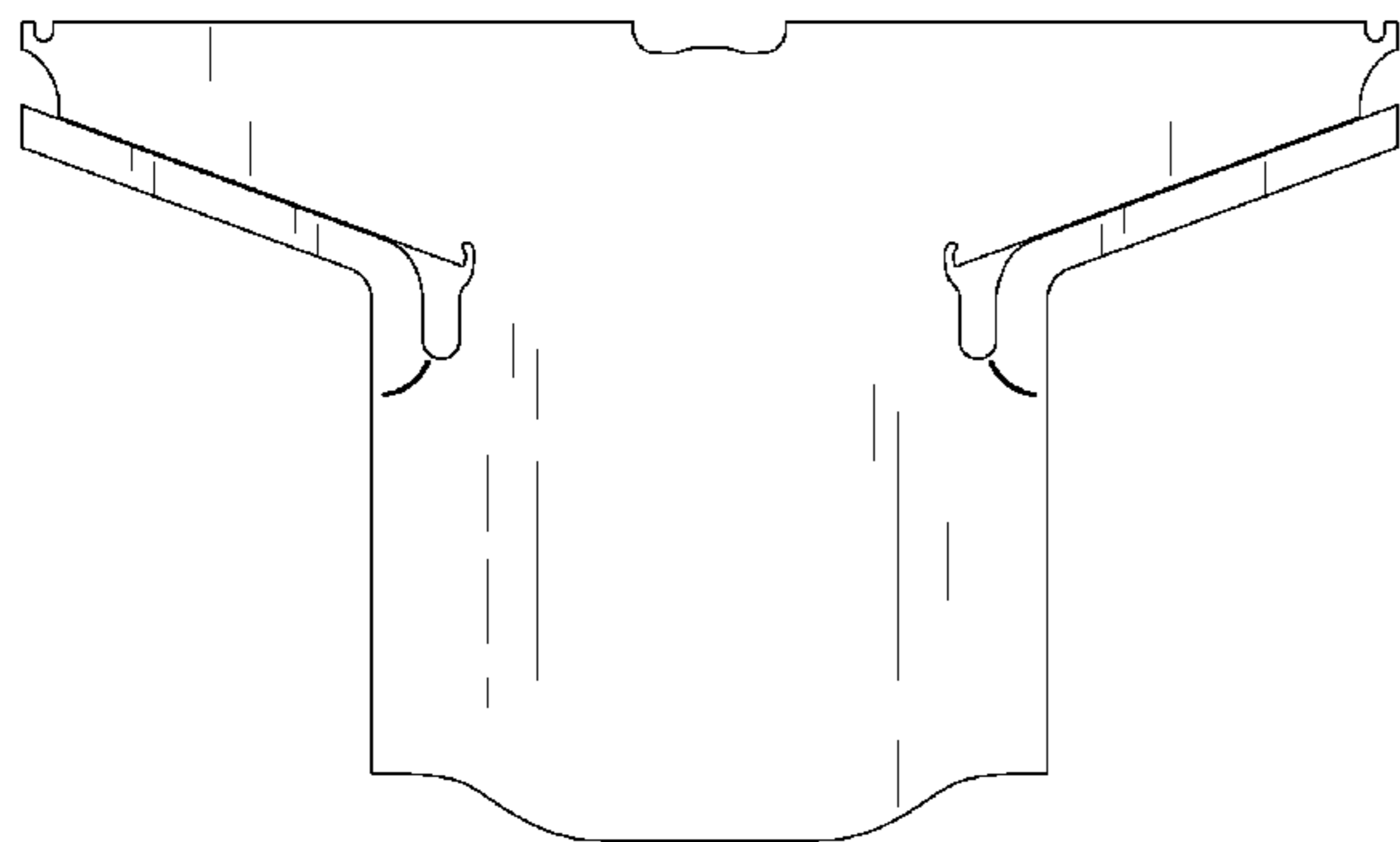


FIG. 1

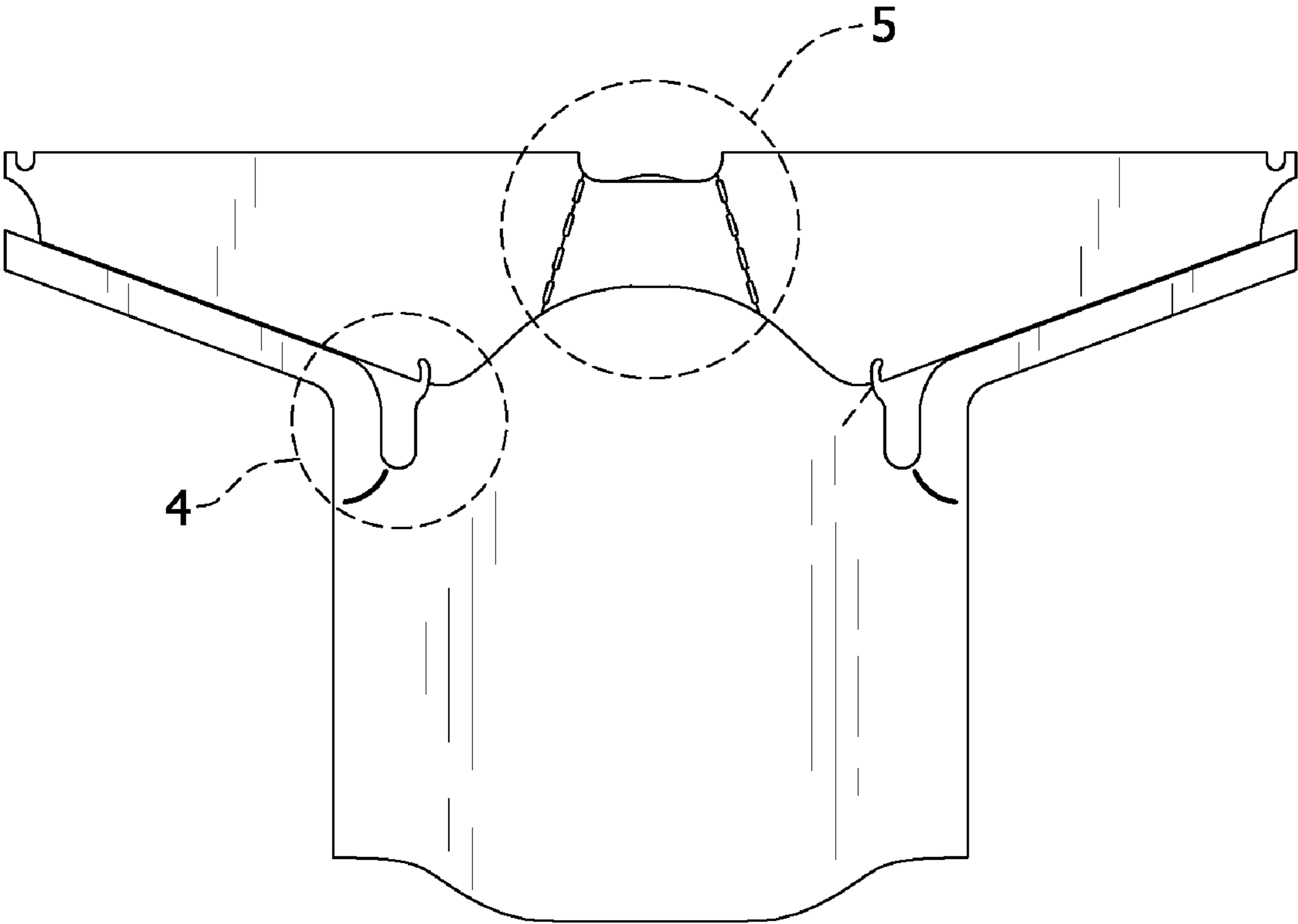


FIG. 2

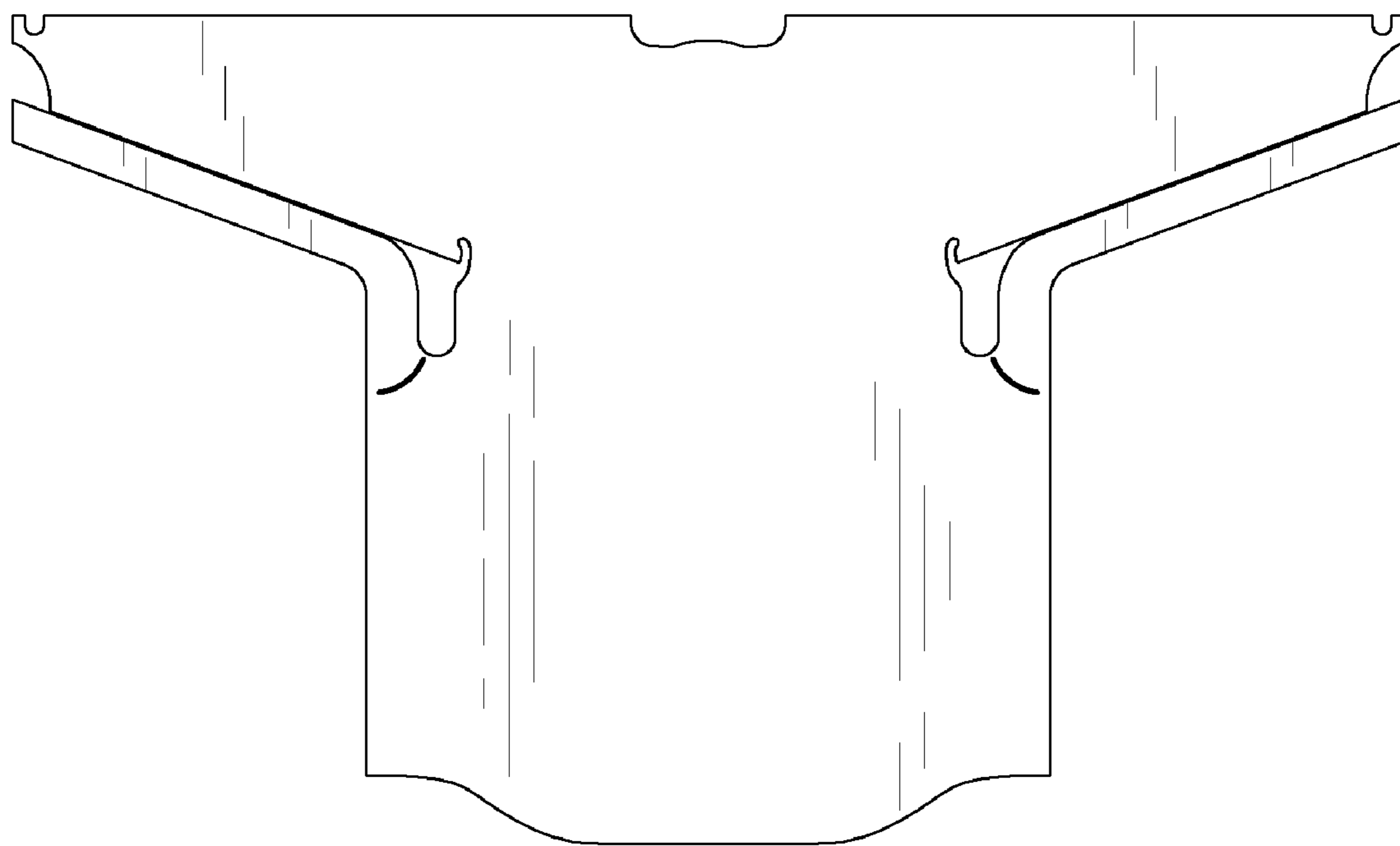


FIG. 3

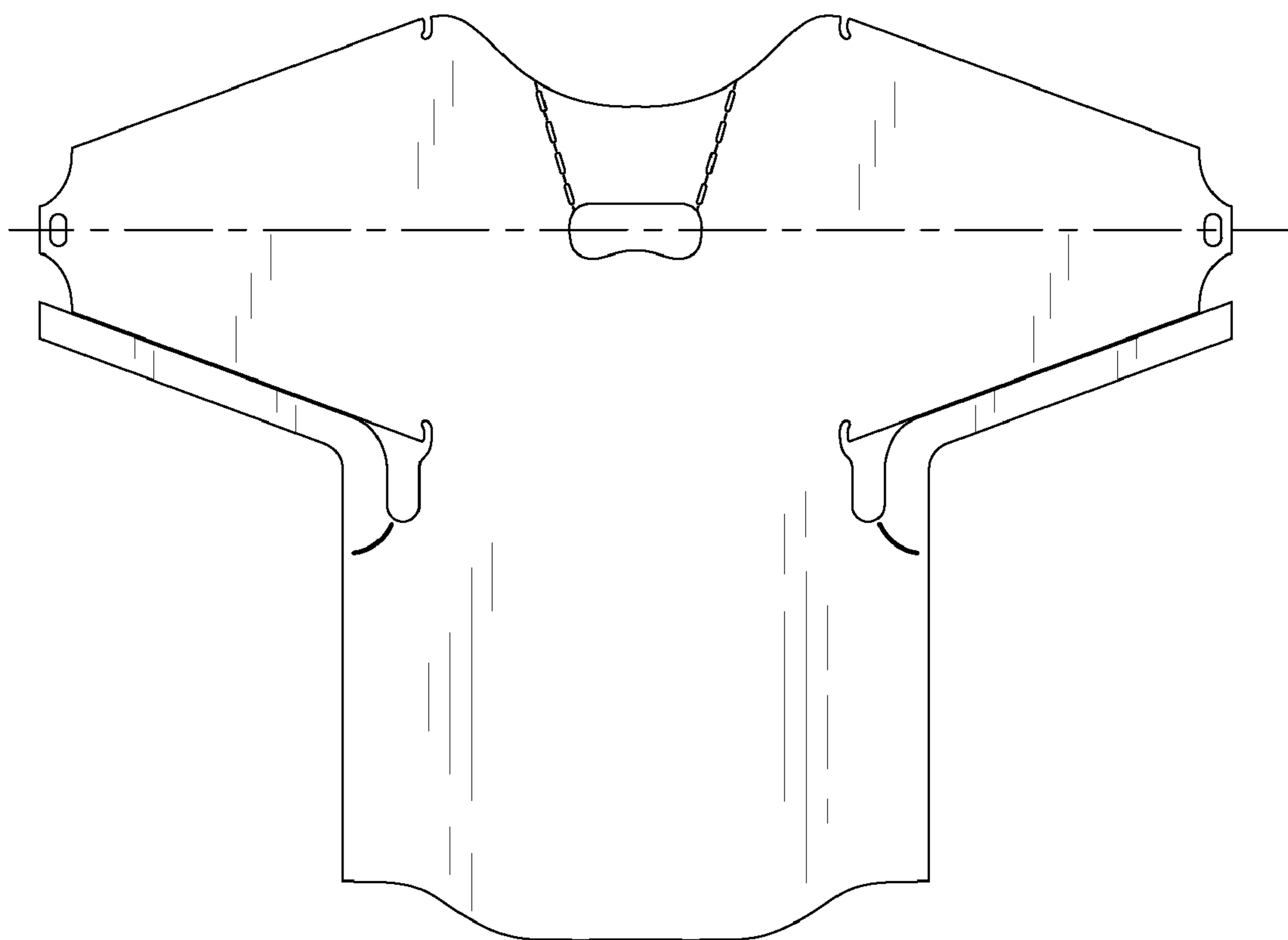


FIG. 4

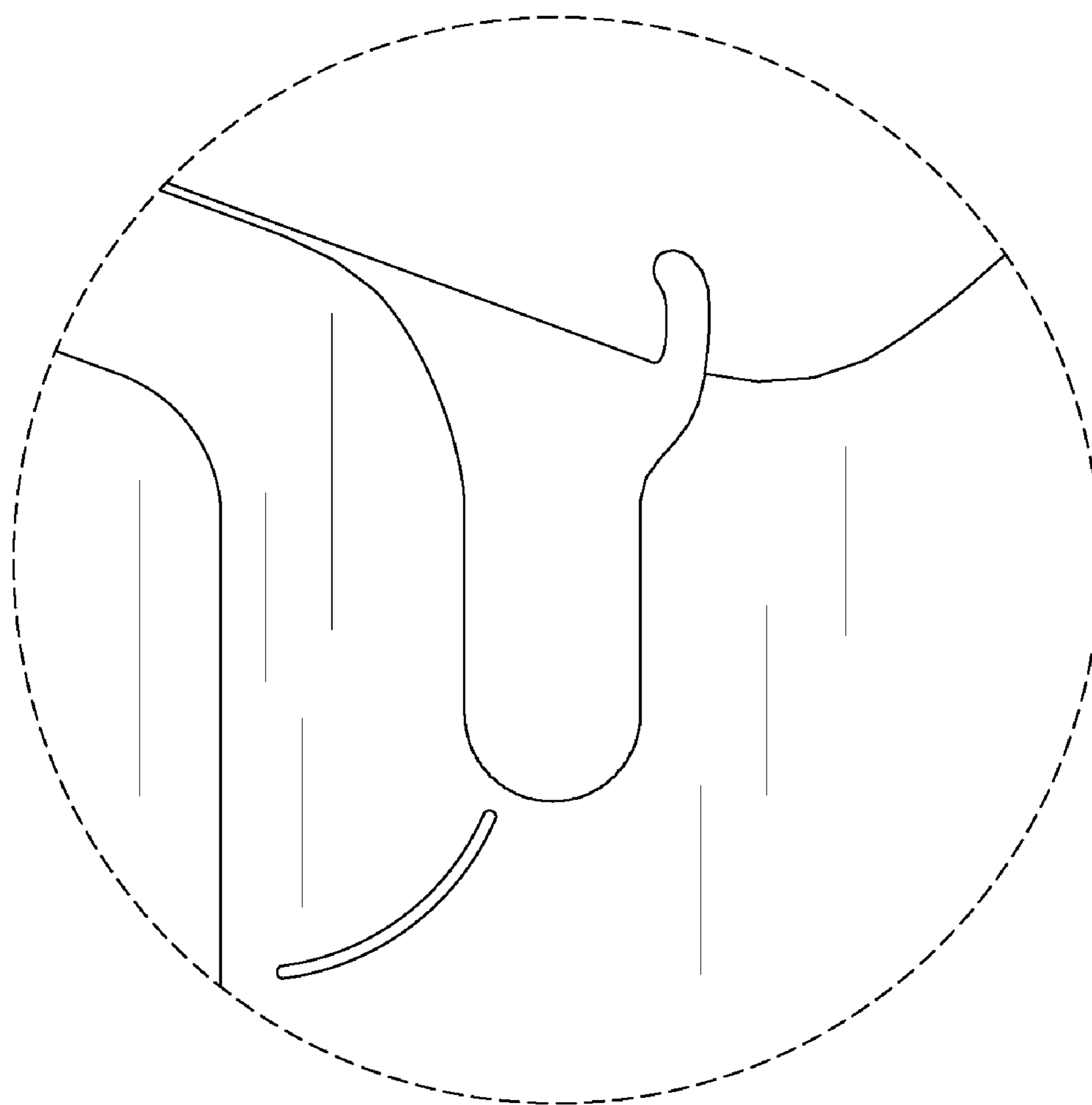


FIG. 5

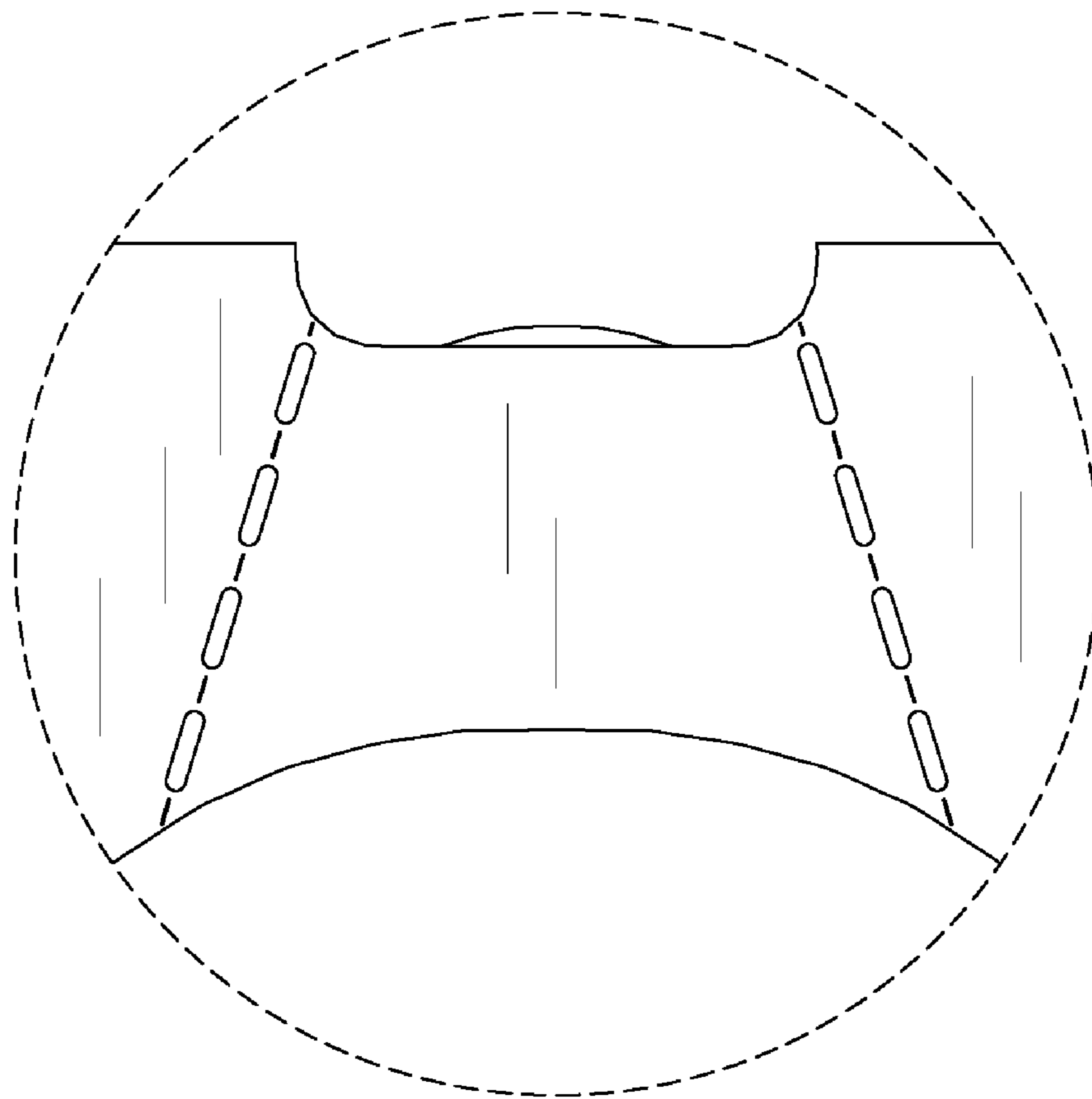


FIG. 6

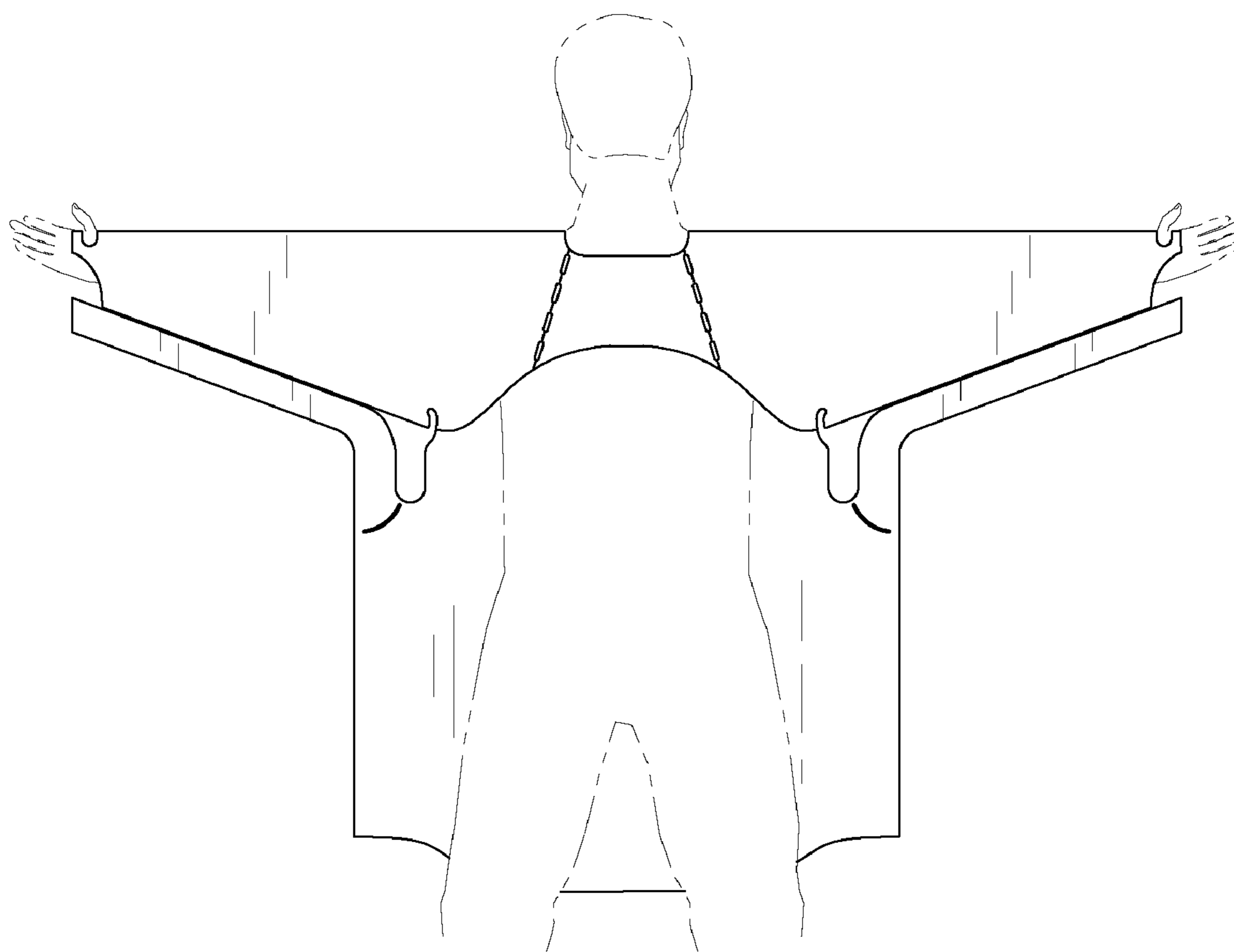


FIG. 7

