



US00D598622S

(12) **United States Design Patent**
Wise

(10) **Patent No.:** **US D598,622 S**

(45) **Date of Patent:** **** Aug. 18, 2009**

(54) **WORK CART**

(76) Inventor: **Robert W. Wise**, 365 Ely Rd., Petaluma,
CA (US) 94954

(**) Term: **14 Years**

(21) Appl. No.: **29/312,281**

(22) Filed: **Oct. 10, 2008**

(51) **LOC (9) Cl.** **12-02**

(52) **U.S. Cl.** **D34/19**

(58) **Field of Classification Search** D34/12-27;
280/79.11, 33.991, 79.2, 43.1; D7/334, 605
See application file for complete search history.

(56) **References Cited**

U.S. PATENT DOCUMENTS

- D137,977 S * 5/1944 Baunach D34/20
- D182,926 S * 5/1958 Roeder D34/25
- D409,856 S * 5/1999 Rice, Jr. D6/430
- D452,357 S * 12/2001 Stravitz et al. D34/19
- D491,709 S * 6/2004 Wise D34/18
- D546,017 S * 7/2007 Wise D34/19
- 7,252,302 B1 * 8/2007 Thurn et al. 280/638
- D557,870 S * 12/2007 MacMillan D34/14

D574,570 S * 8/2008 Tsai D34/12

* cited by examiner

Primary Examiner—Cynthia E Ramirez

(74) *Attorney, Agent, or Firm*—Black Lowe & Graham PLLC

(57) **CLAIM**

The ornamental design for a work cart, as shown and described.

DESCRIPTION

FIG. 1 is a perspective view of a work cart showing my new design.

FIG. 2 is a front view thereof.

FIG. 3 is a top view thereof.

FIG. 4 is a right side view thereof.

FIG. 5 is a left side view thereof.

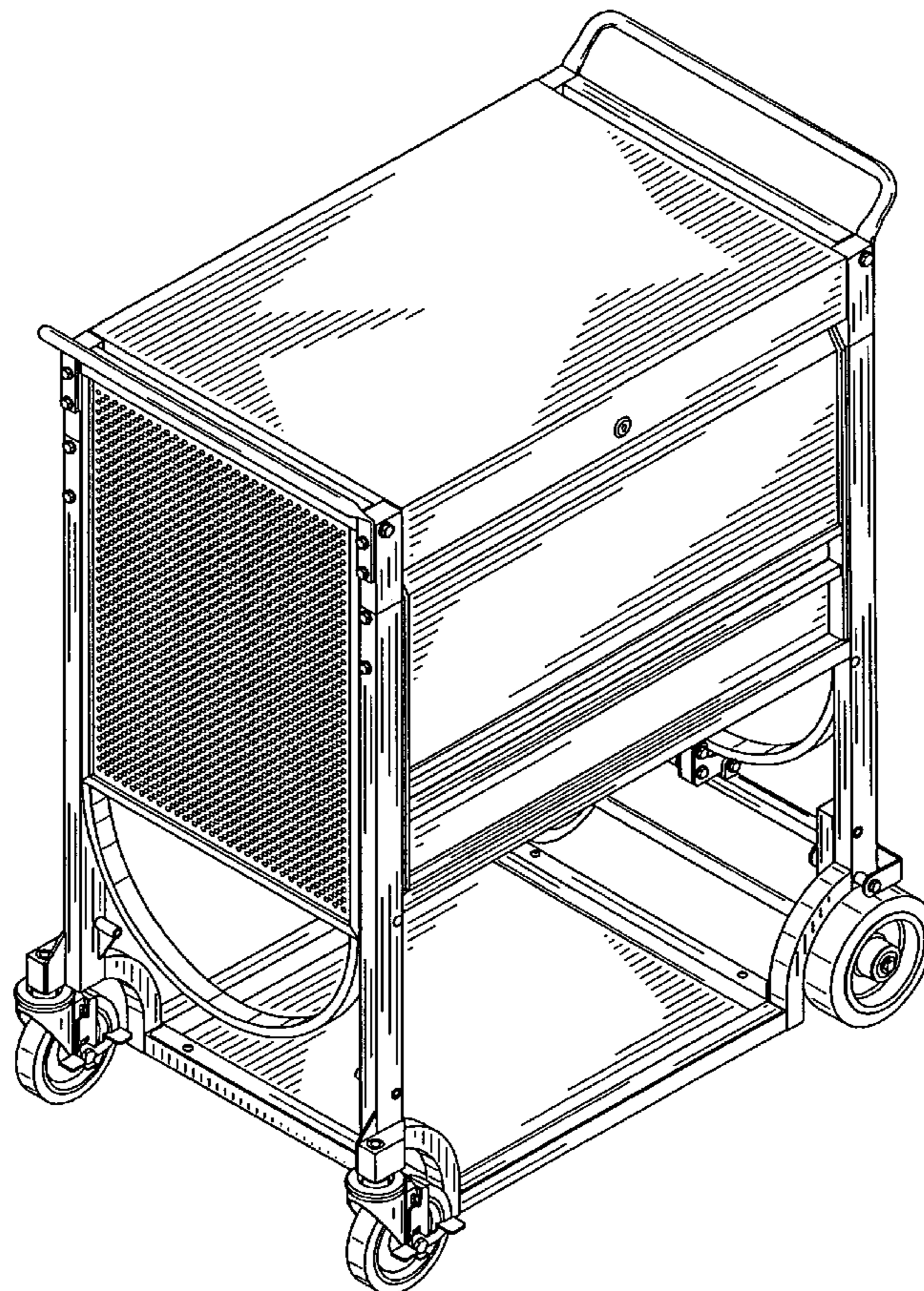
FIG. 6 is a rear view thereof.

FIG. 7 is a bottom view thereof.

FIG. 8 is a perspective view of the design of FIG. 1 in a partially open position; and,

FIG. 9 is a perspective view of the design of FIG. 1 in a fully open position.

1 Claim, 9 Drawing Sheets



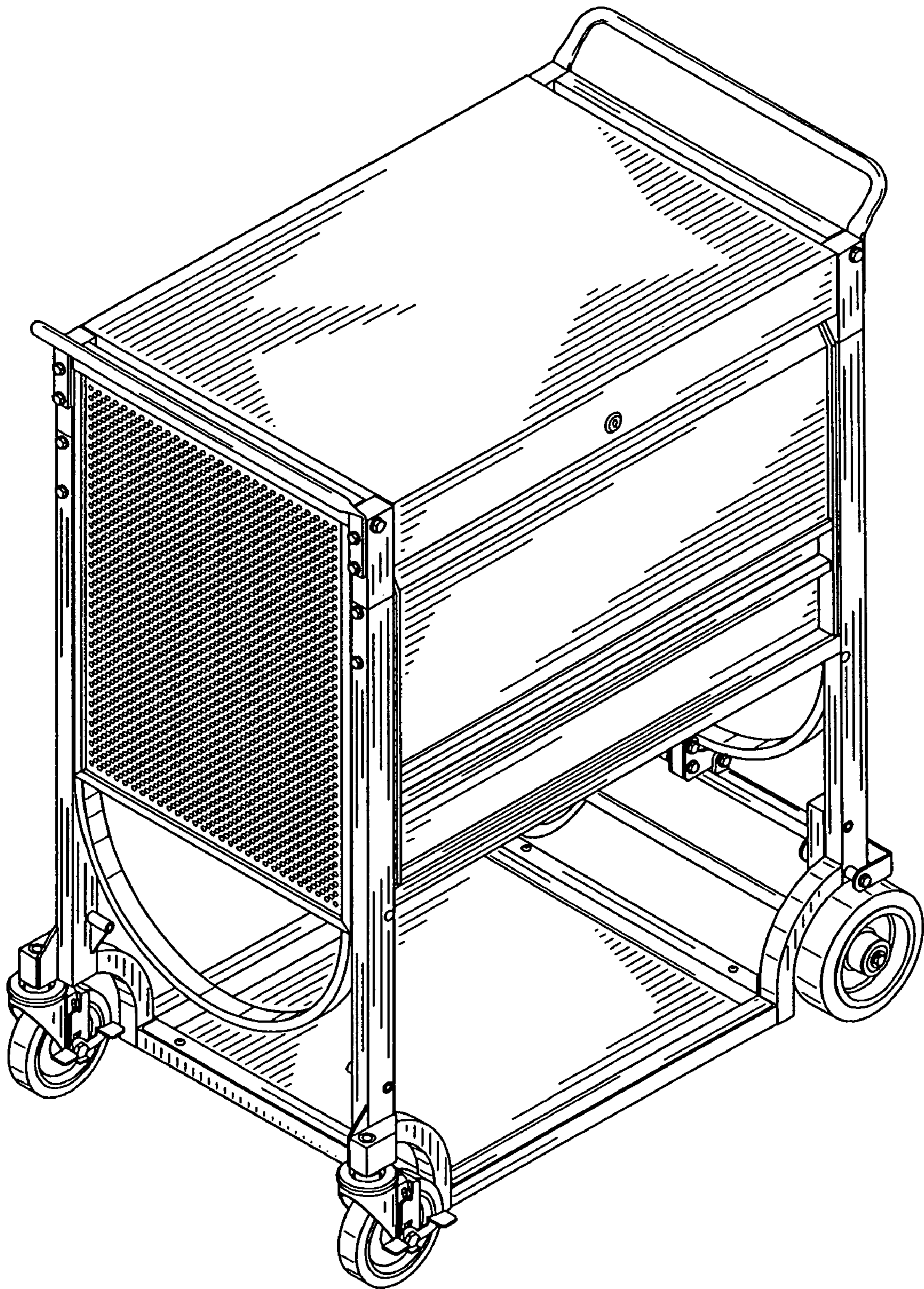


FIG.1

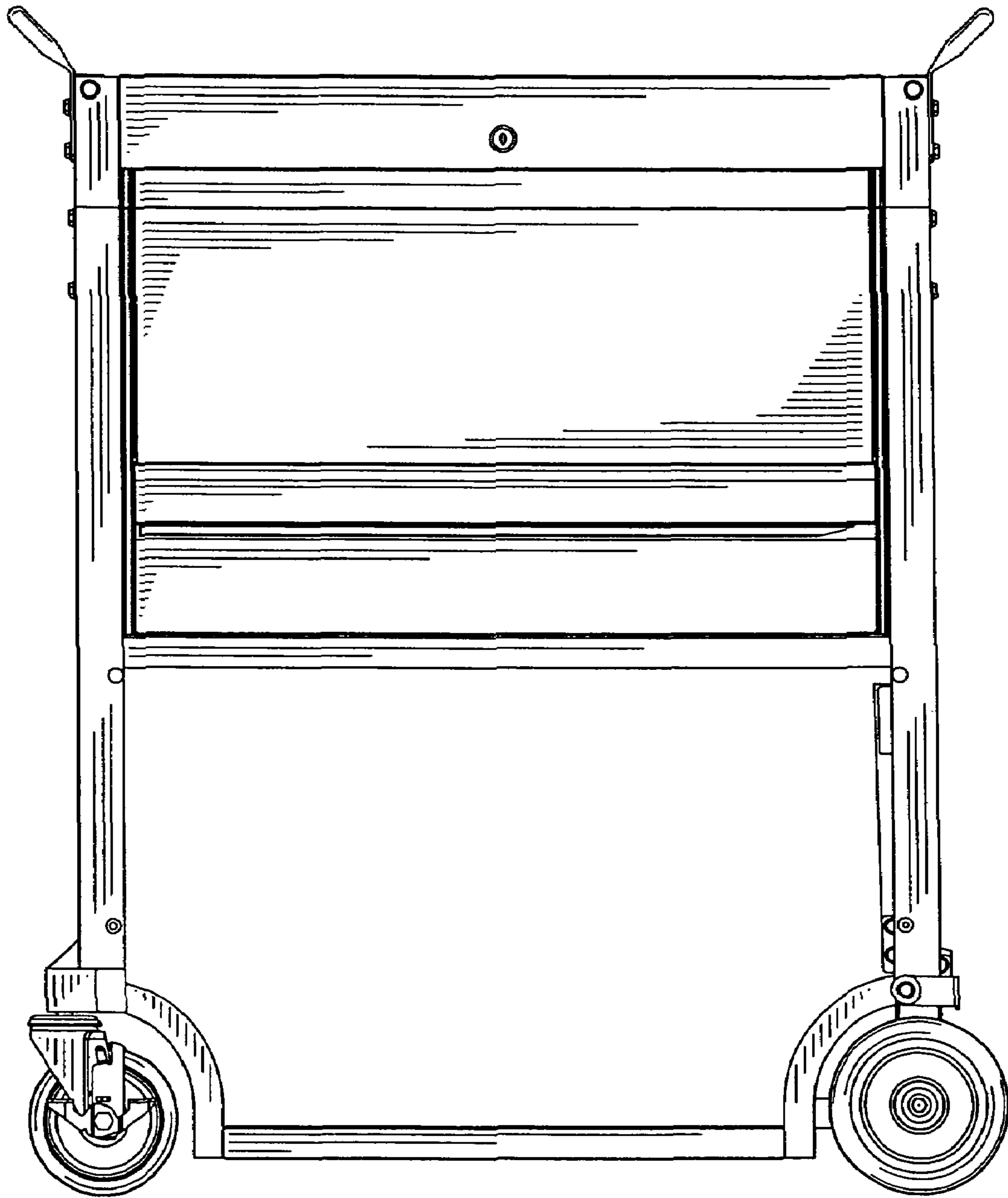


FIG. 2

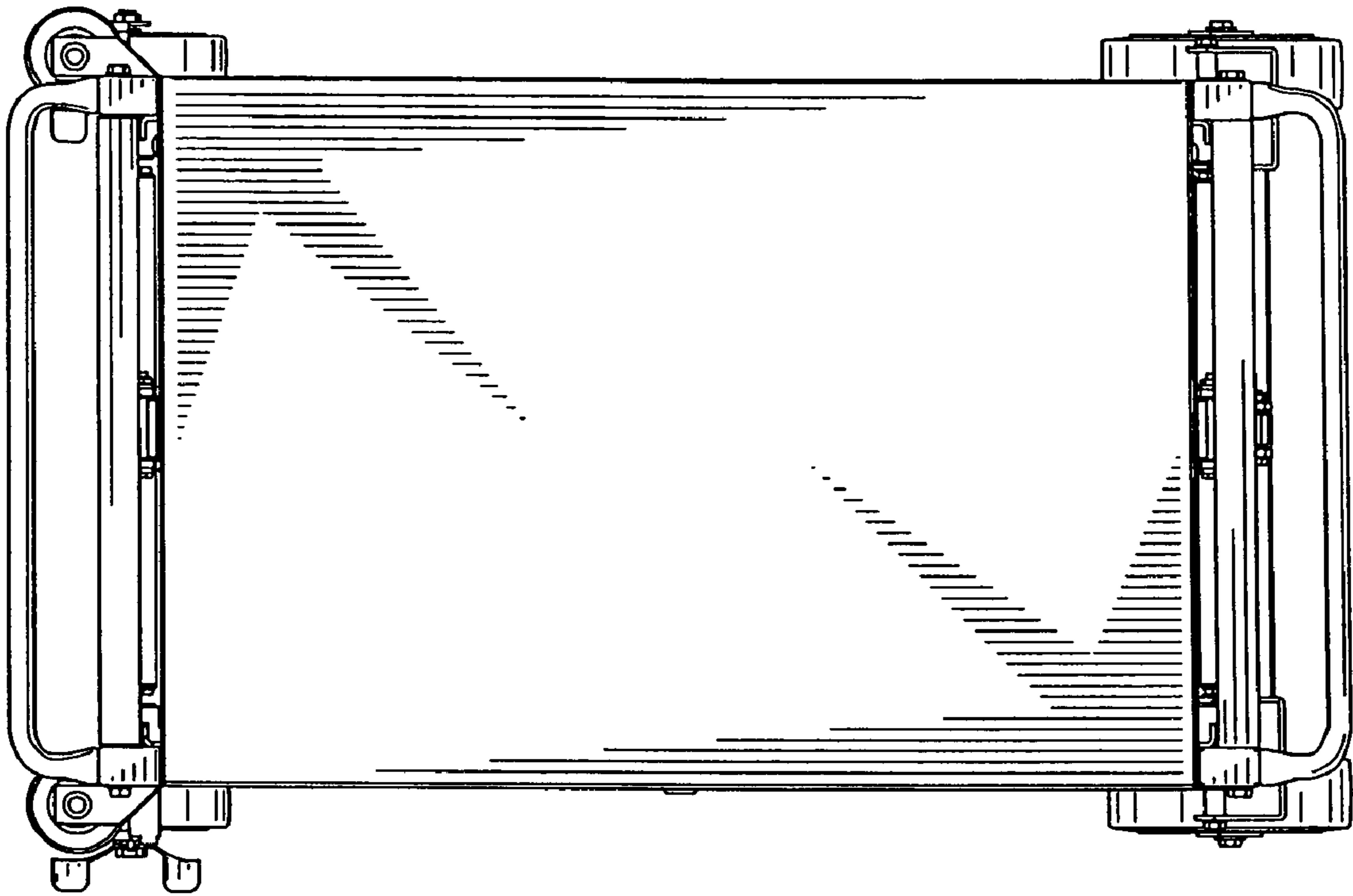


FIG.3

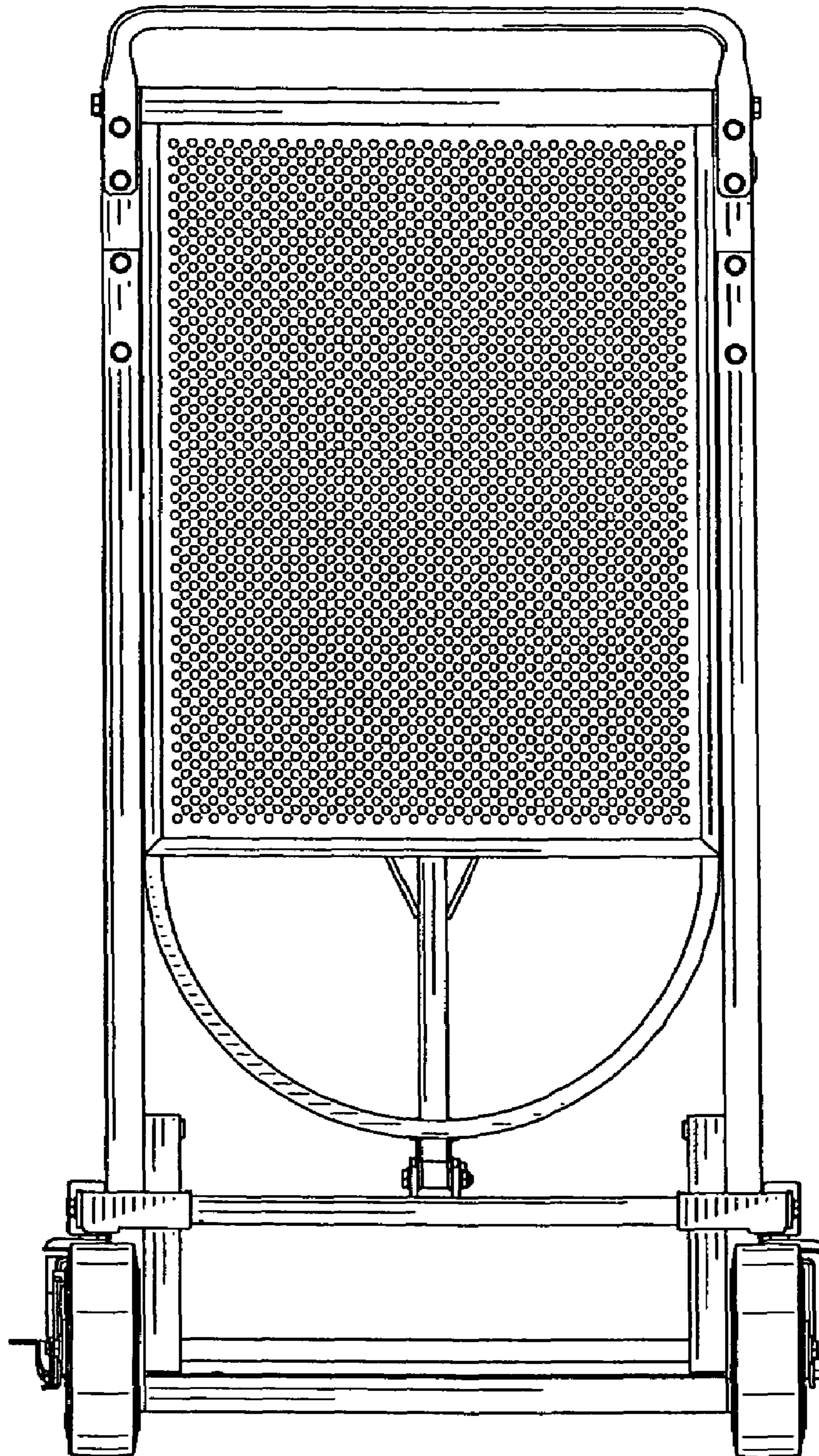


FIG. 4

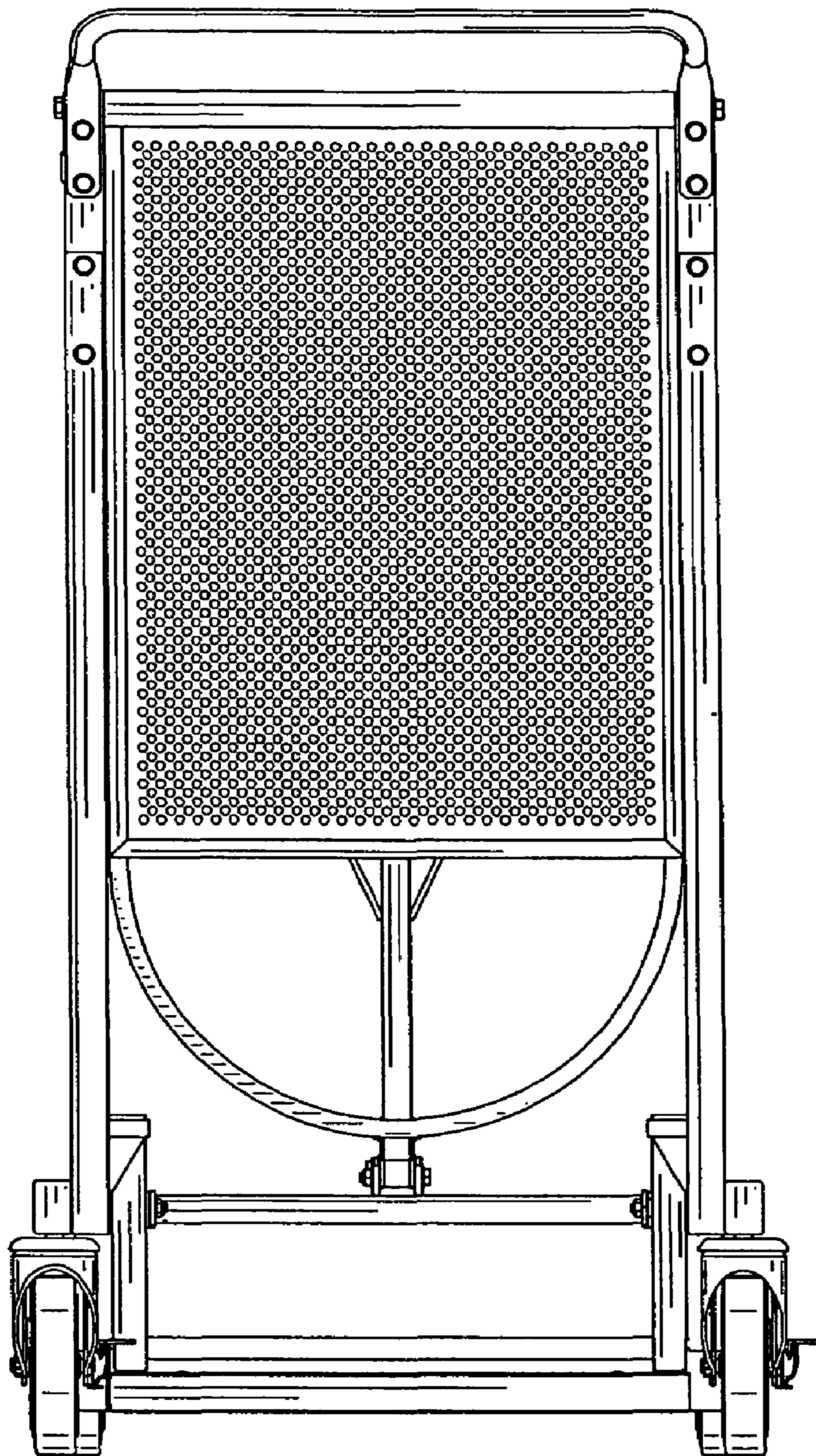


FIG. 5

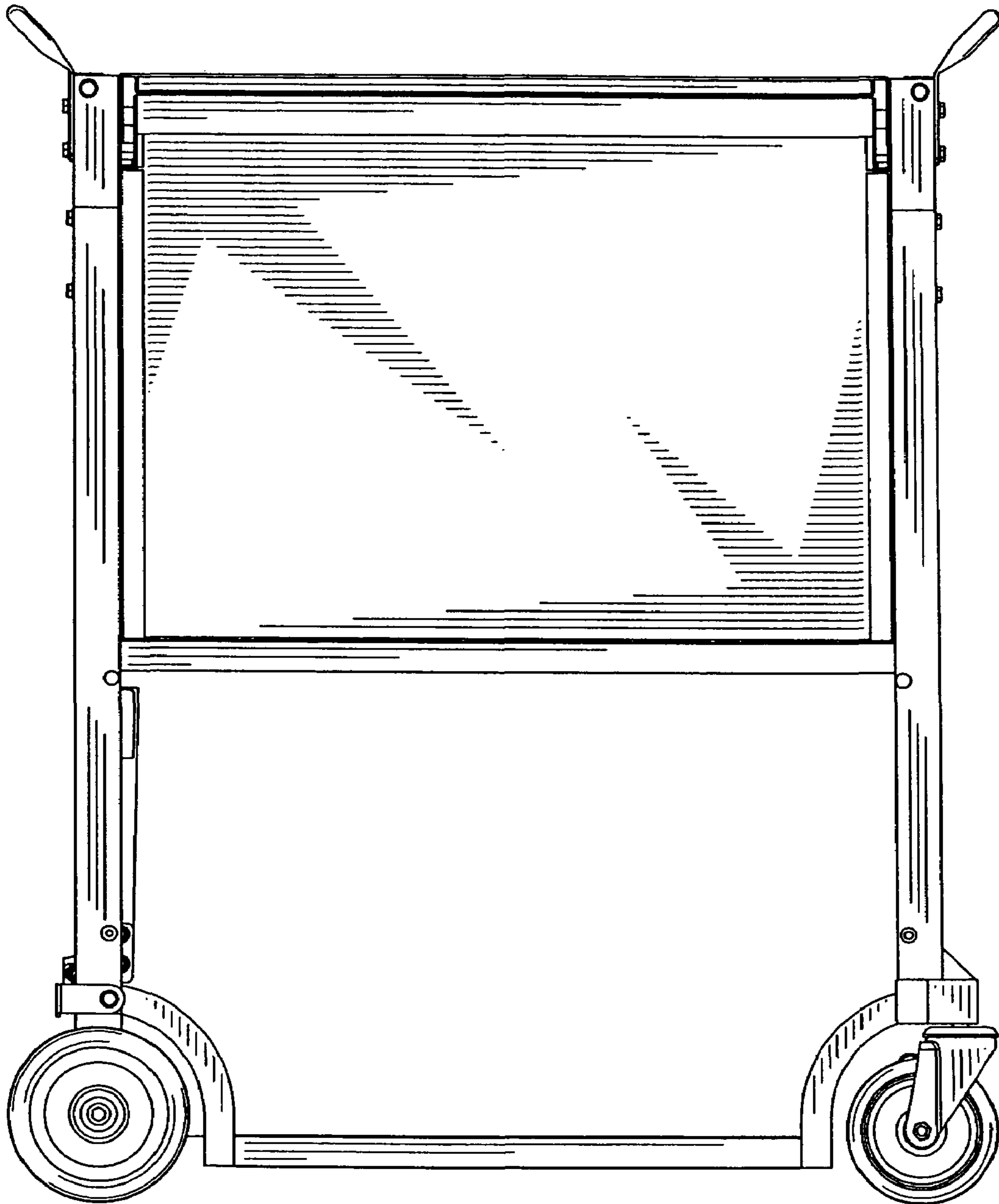


FIG. 6

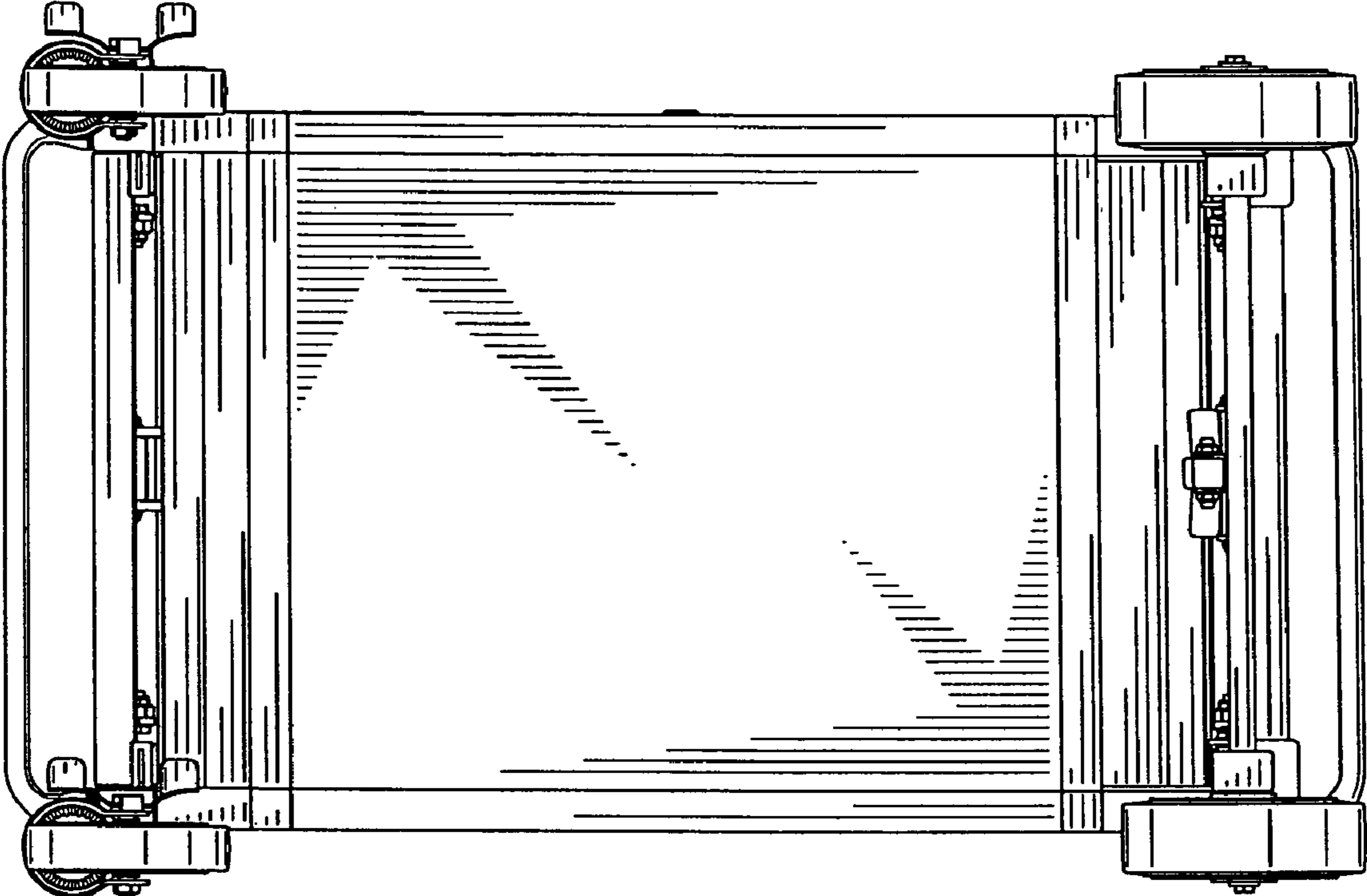


FIG. 7

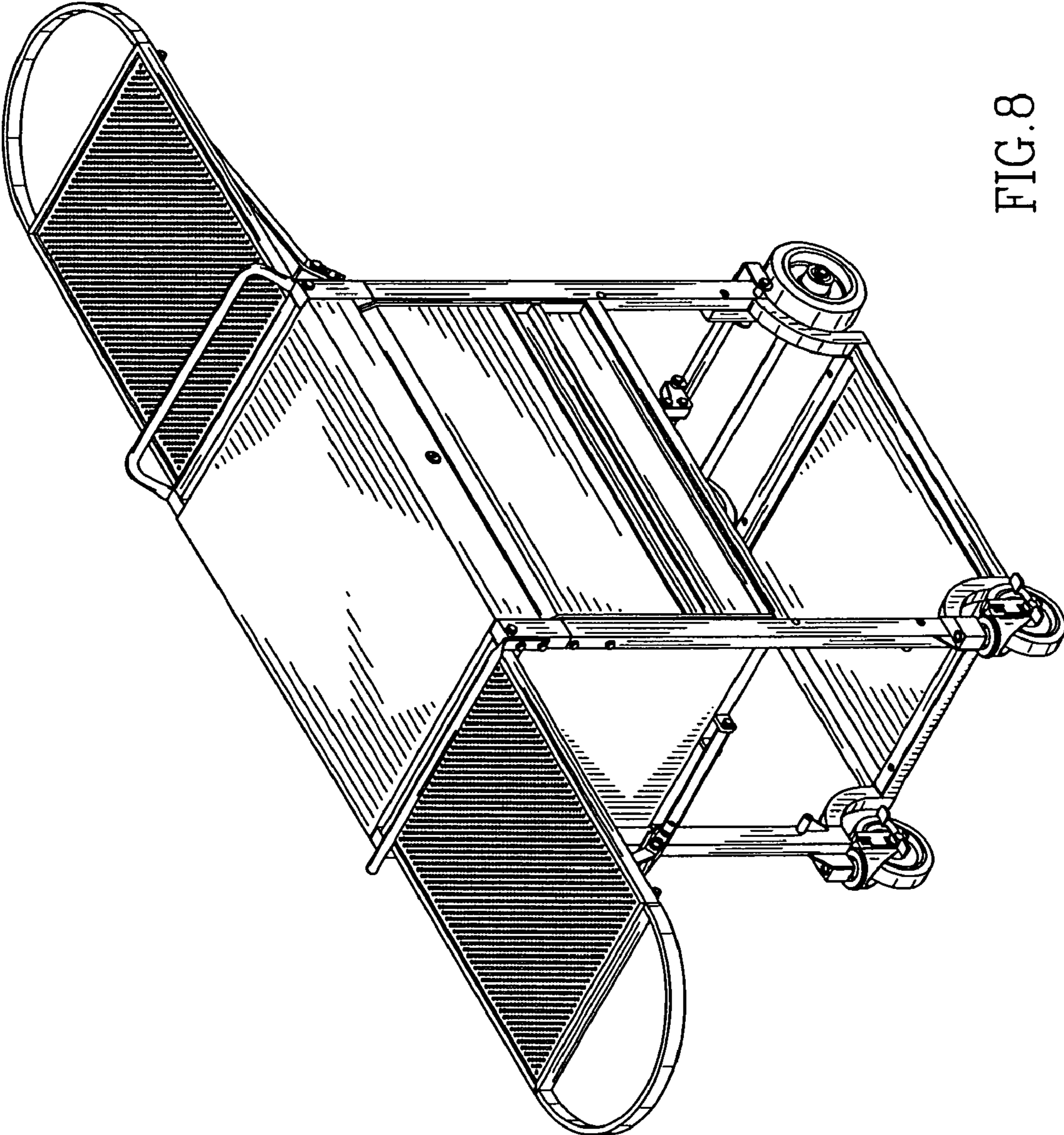


FIG. 8

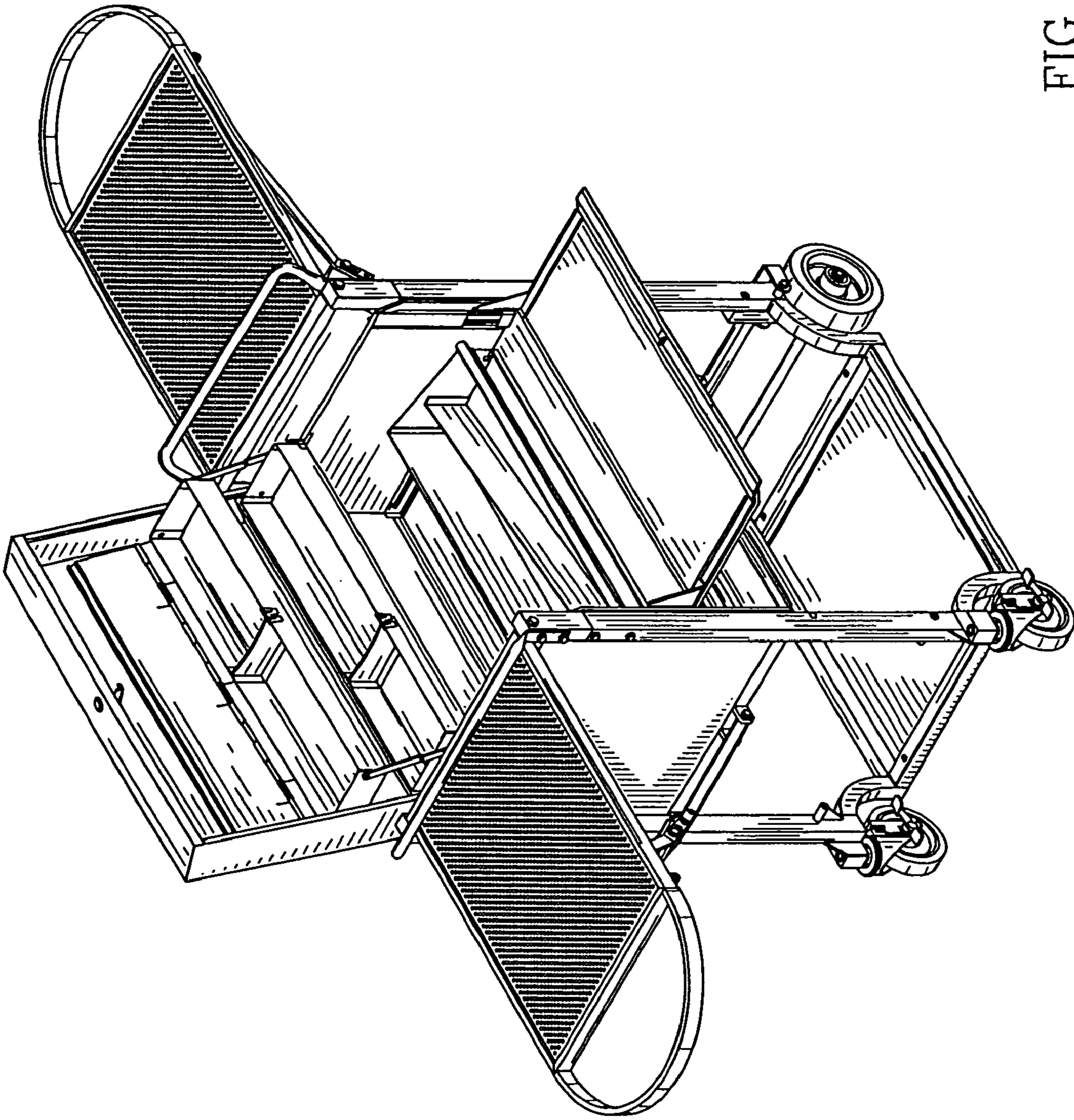


FIG. 9