



US00D598618S

(12) **United States Design Patent**
Benacquisto et al.

(10) **Patent No.:** **US D598,618 S**

(45) **Date of Patent:** **** Aug. 18, 2009**

(54) **FLOOR CARE APPLIANCE BASE PORTION**

(75) Inventors: **Justin Benacquisto**, Grand Rapids, MI (US); **Meghan L. McNeil**, Grand Rapids, MI (US); **Douglas J. Medema**, Belding, MI (US); **Adam G. Carr**, Grand Rapids, MI (US)

(73) Assignee: **Bissell Homecare, Inc.**, Grand Rapids, MI (US)

(**) Term: **14 Years**

(21) Appl. No.: **29/303,573**

(22) Filed: **Feb. 12, 2008**

(51) **LOC (9) Cl.** **15-05**

(52) **U.S. Cl.** **D32/32**

(58) **Field of Classification Search** D32/31-33, D32/22; 15/354, 364, 366, 379, 383, 398, 15/412, 414, 415.1-422, 422.1, 350-351, 15/362, 321-322, 400

See application file for complete search history.

(56) **References Cited**

U.S. PATENT DOCUMENTS

D387,522 S * 12/1997 Medema D32/31
D396,905 S * 8/1998 Bradd D32/32
D420,179 S * 2/2000 Medema et al. D32/31

D439,384 S * 3/2001 Medema D32/32
D463,635 S * 9/2002 Wareham D32/32
D472,353 S * 3/2003 Zahuranec et al. D32/31
D520,195 S 5/2006 Carr et al.
D533,698 S * 12/2006 Medema et al. D32/32
D545,012 S * 6/2007 Parr et al. D32/32
2006/0288518 A1 * 12/2006 Lenkiwicz et al. 15/322

* cited by examiner

Primary Examiner—Ruth McInroy

(74) *Attorney, Agent, or Firm*—McGarry Bair PC

(57) **CLAIM**

The ornamental design for a floor care appliance base portion, as shown and described.

DESCRIPTION

FIG. 1 is a front right top perspective view of a floor care appliance base portion which embodies our design;

FIG. 2 is a front view thereof;

FIG. 3 is a rear view thereof;

FIG. 4 is a left side view thereof;

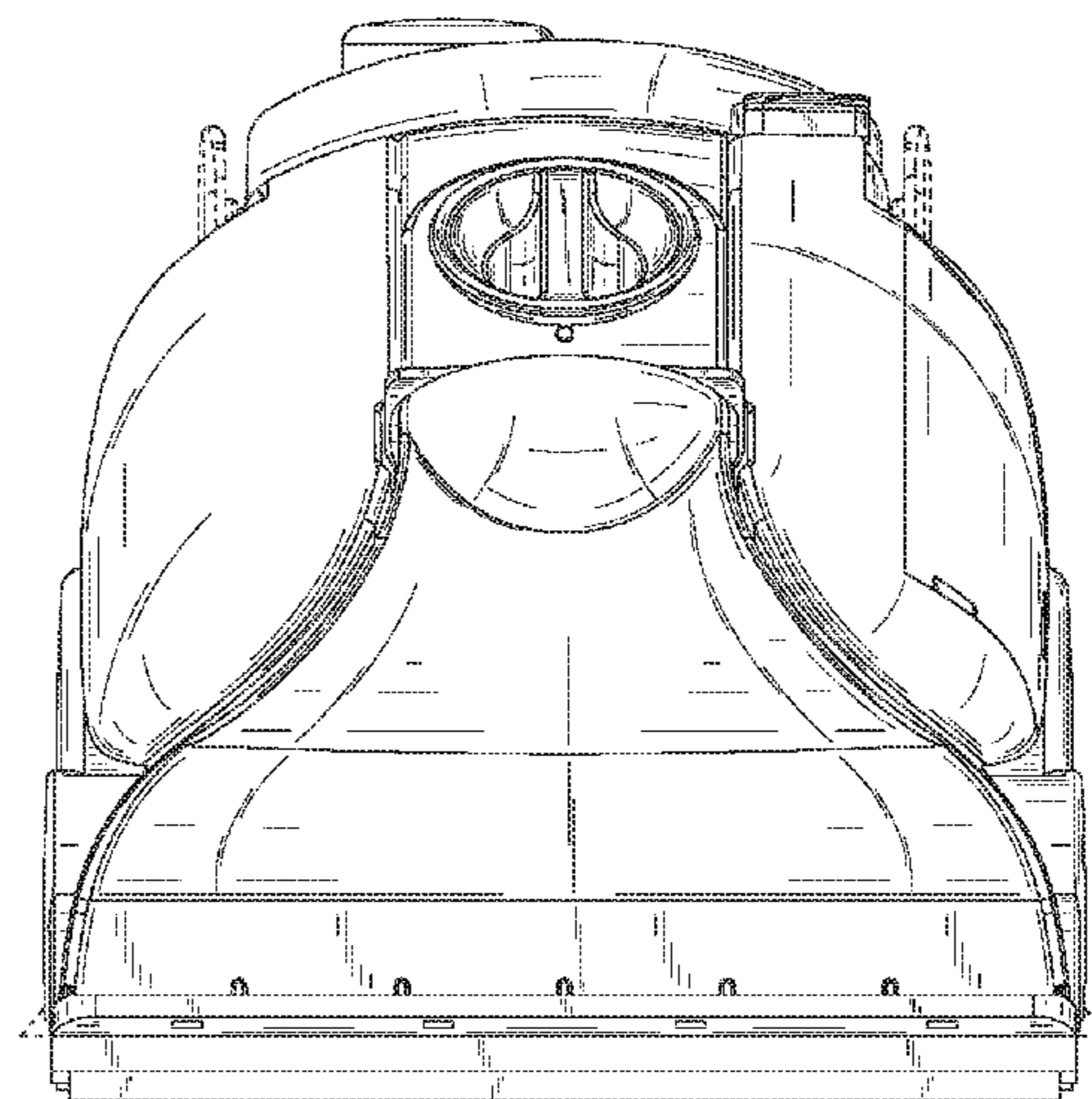
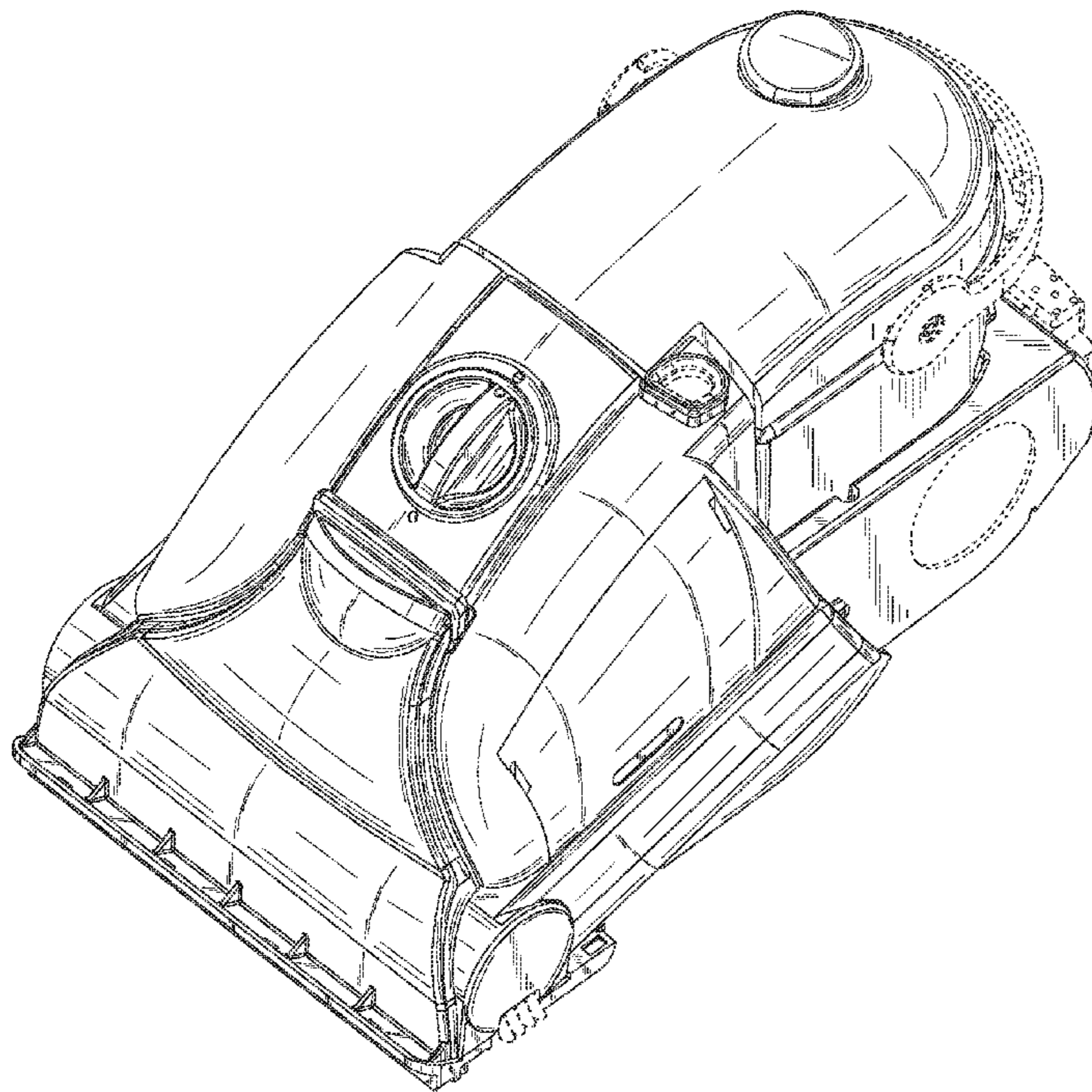
FIG. 5 is a right side view thereof;

FIG. 6 is a top view thereof; and,

FIG. 7 is a left rear top perspective view thereof.

The material in dotted lines forms no part of our design.

1 Claim, 6 Drawing Sheets



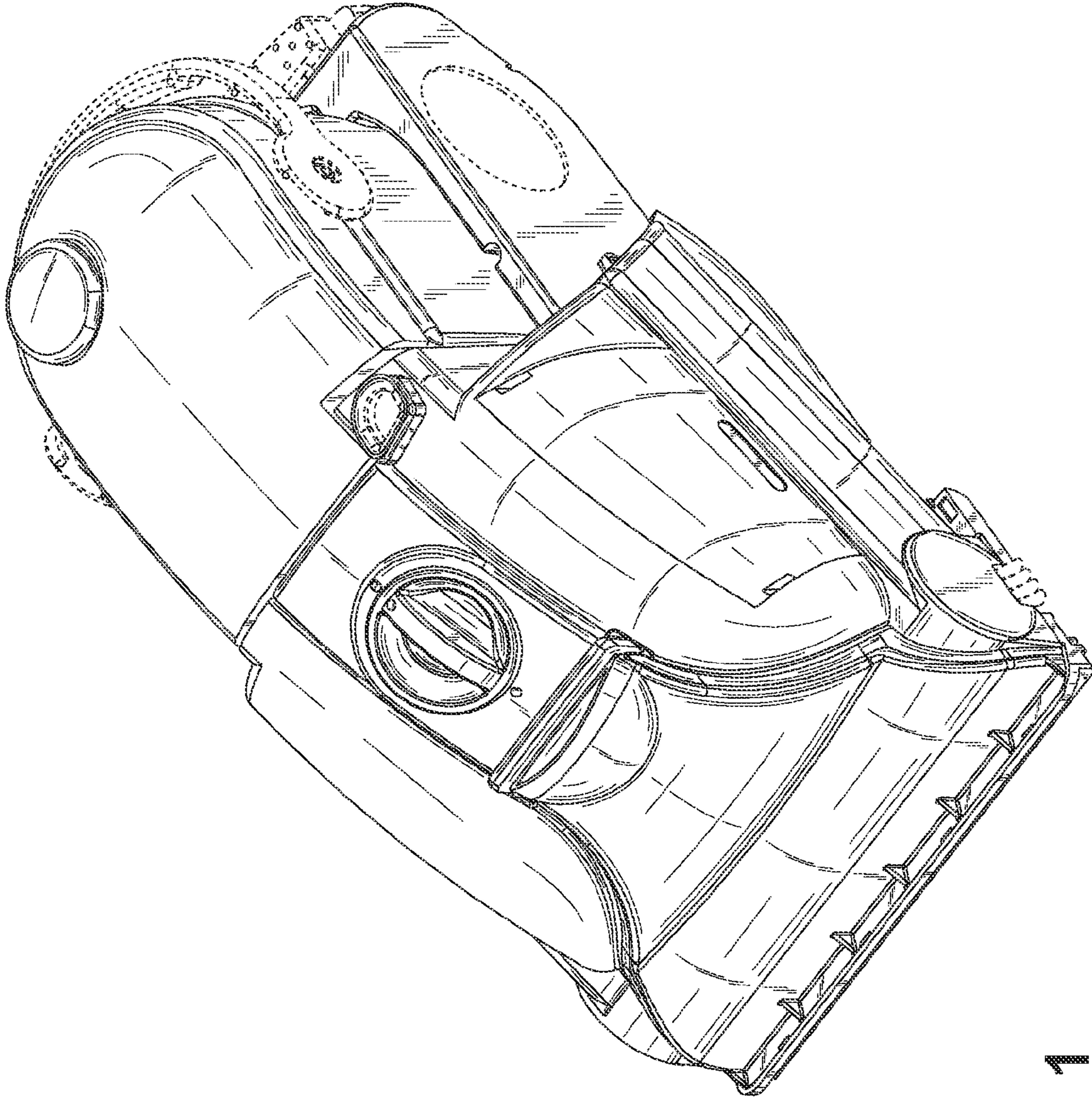


Fig 1

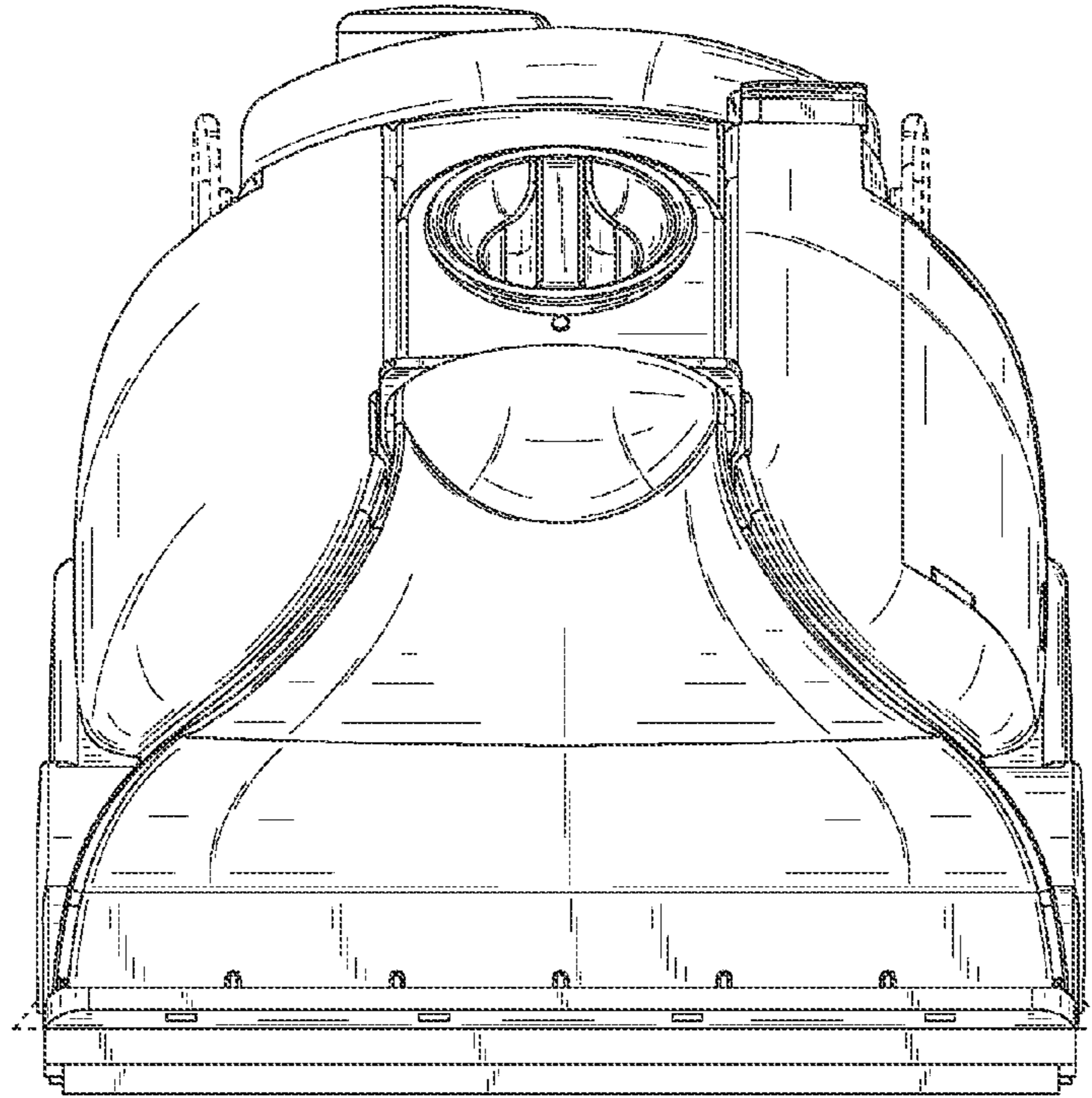


Fig. 2

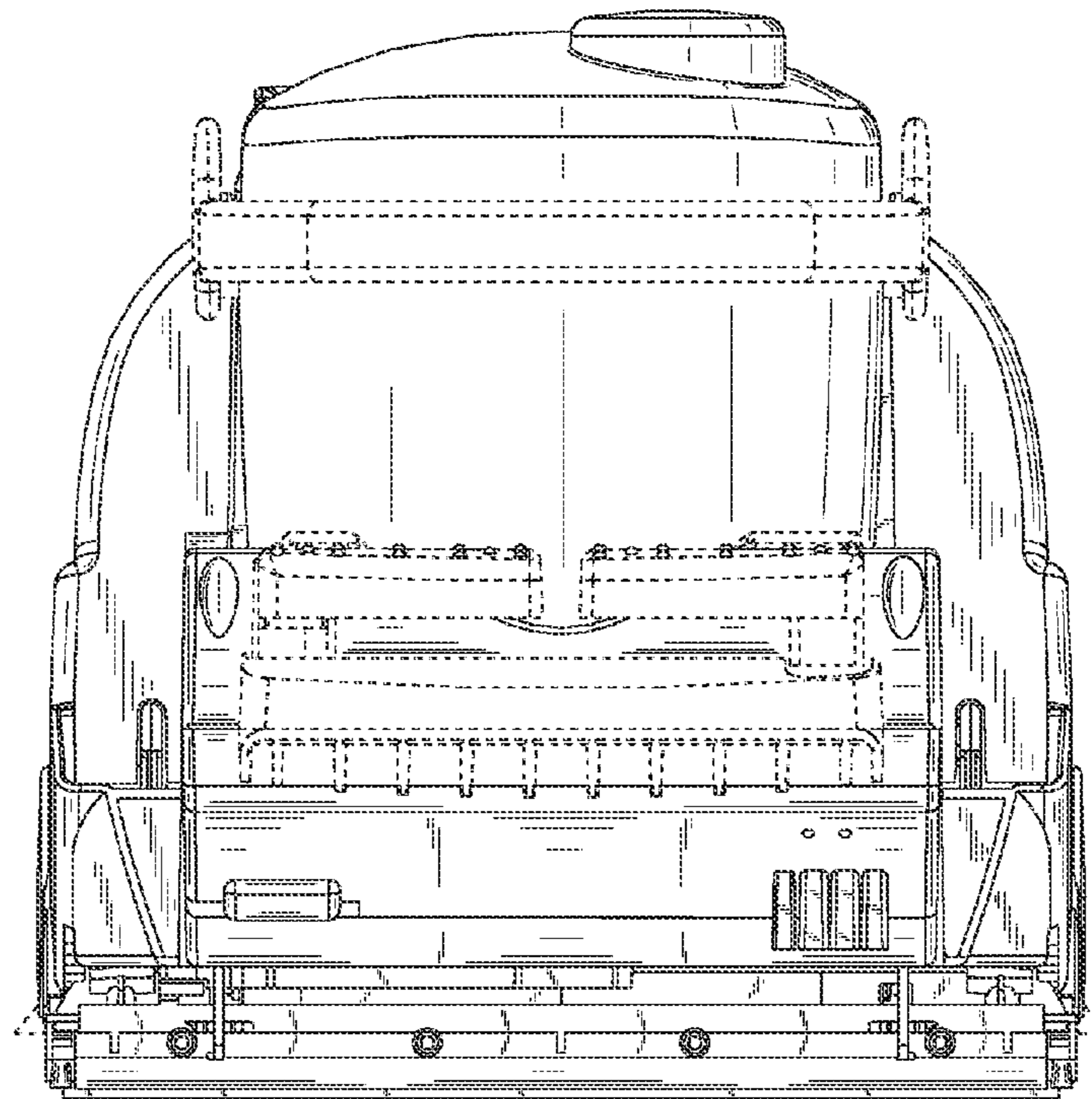


Fig. 3

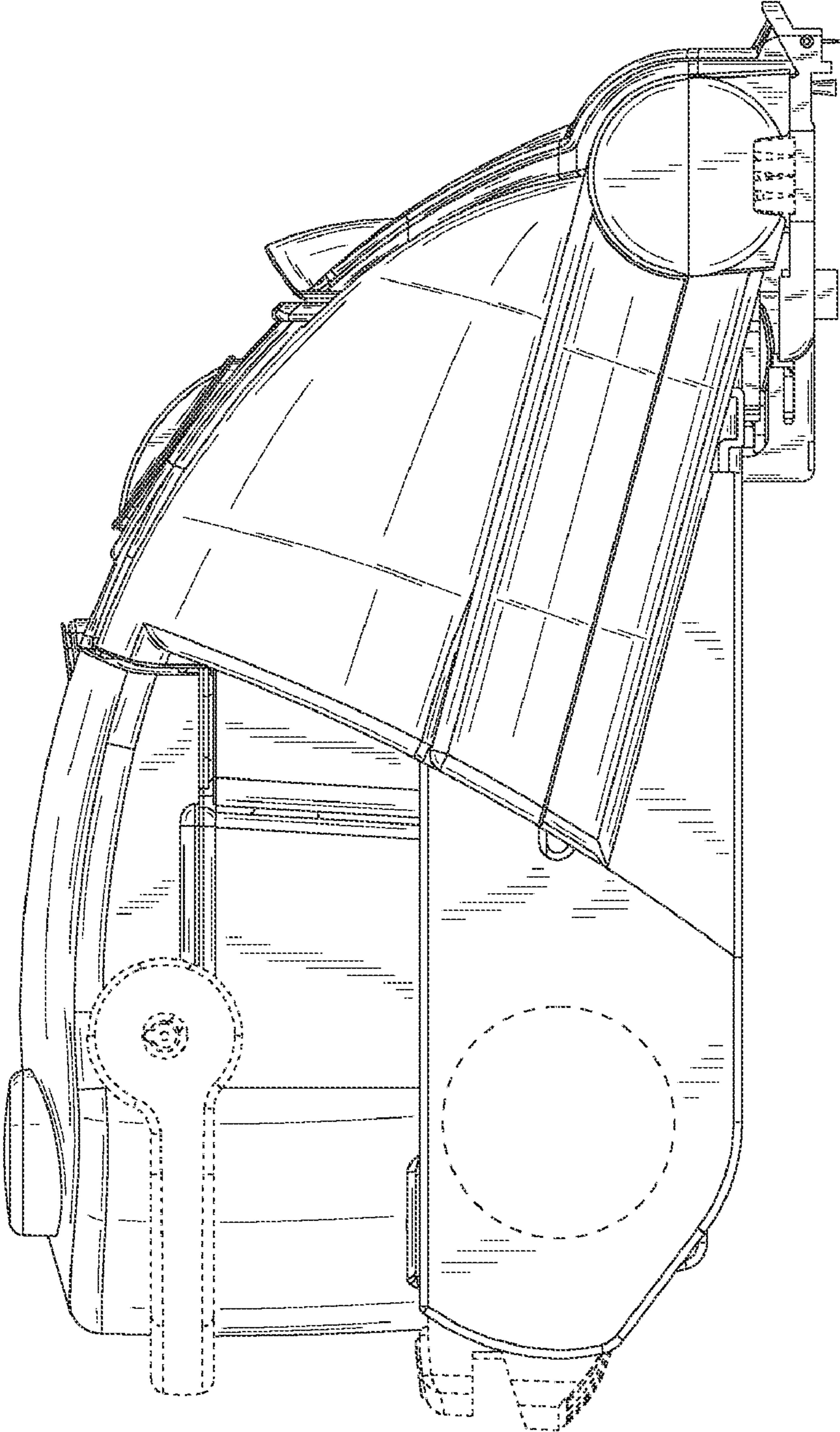


Fig. 4

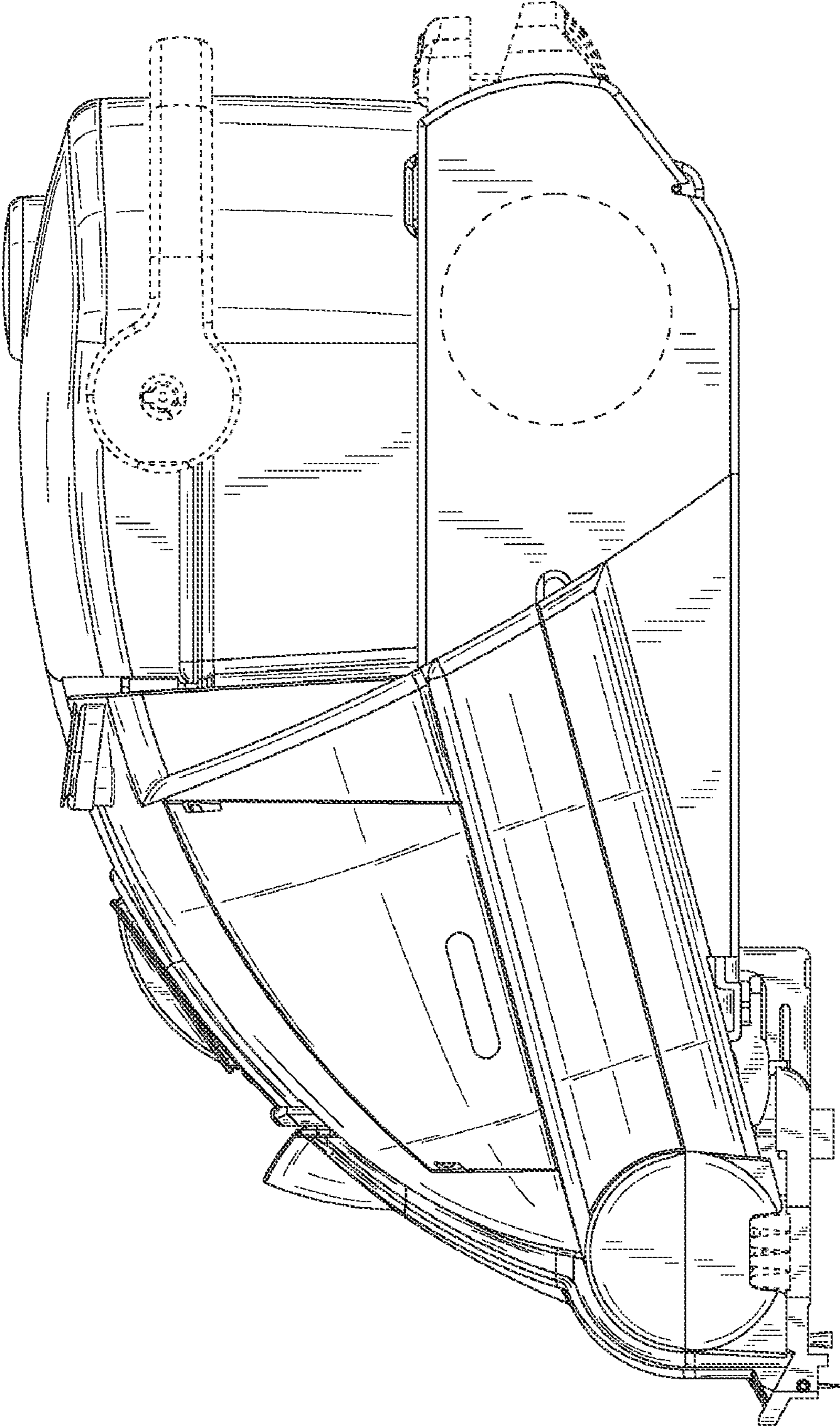


Fig. 5

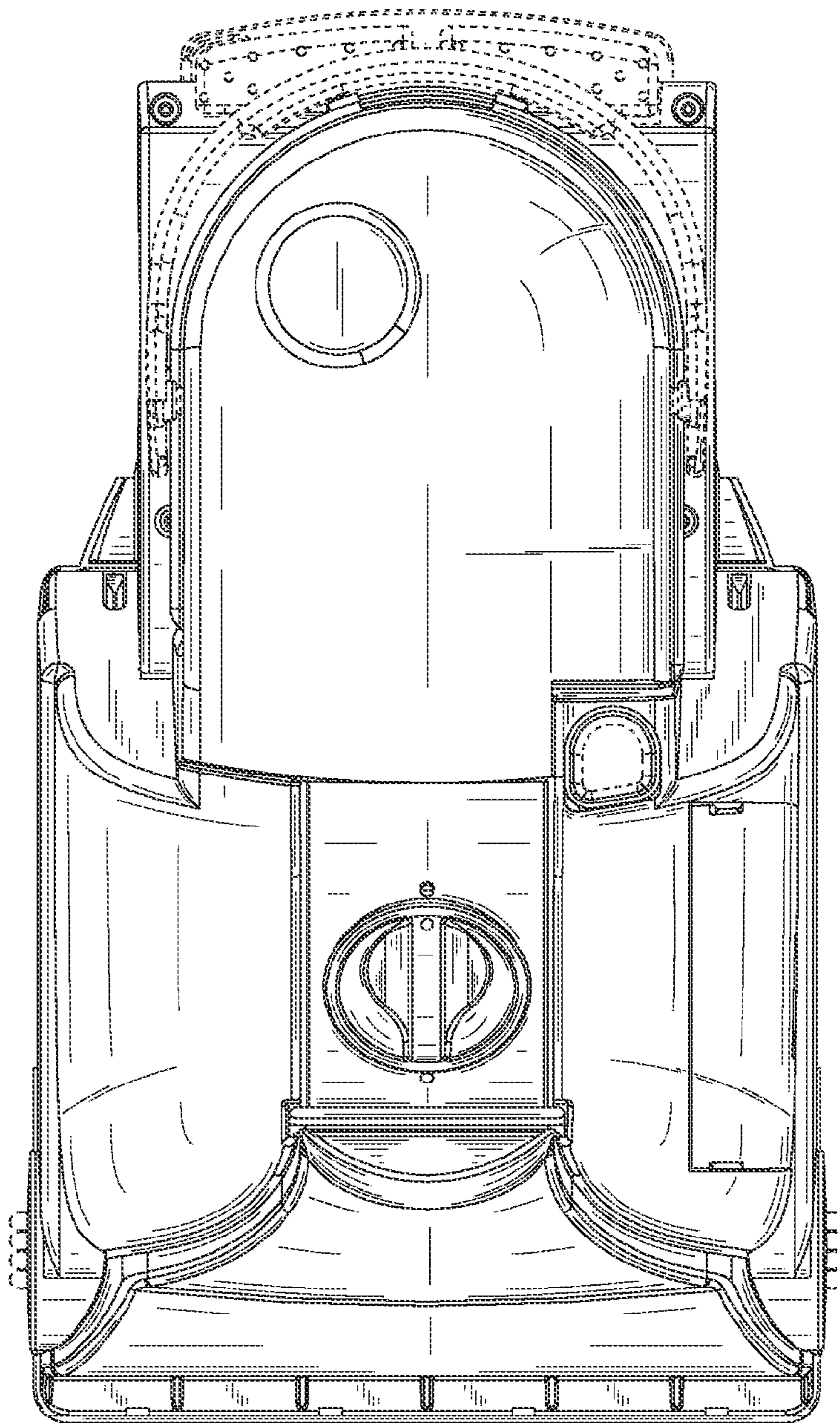


Fig. 6

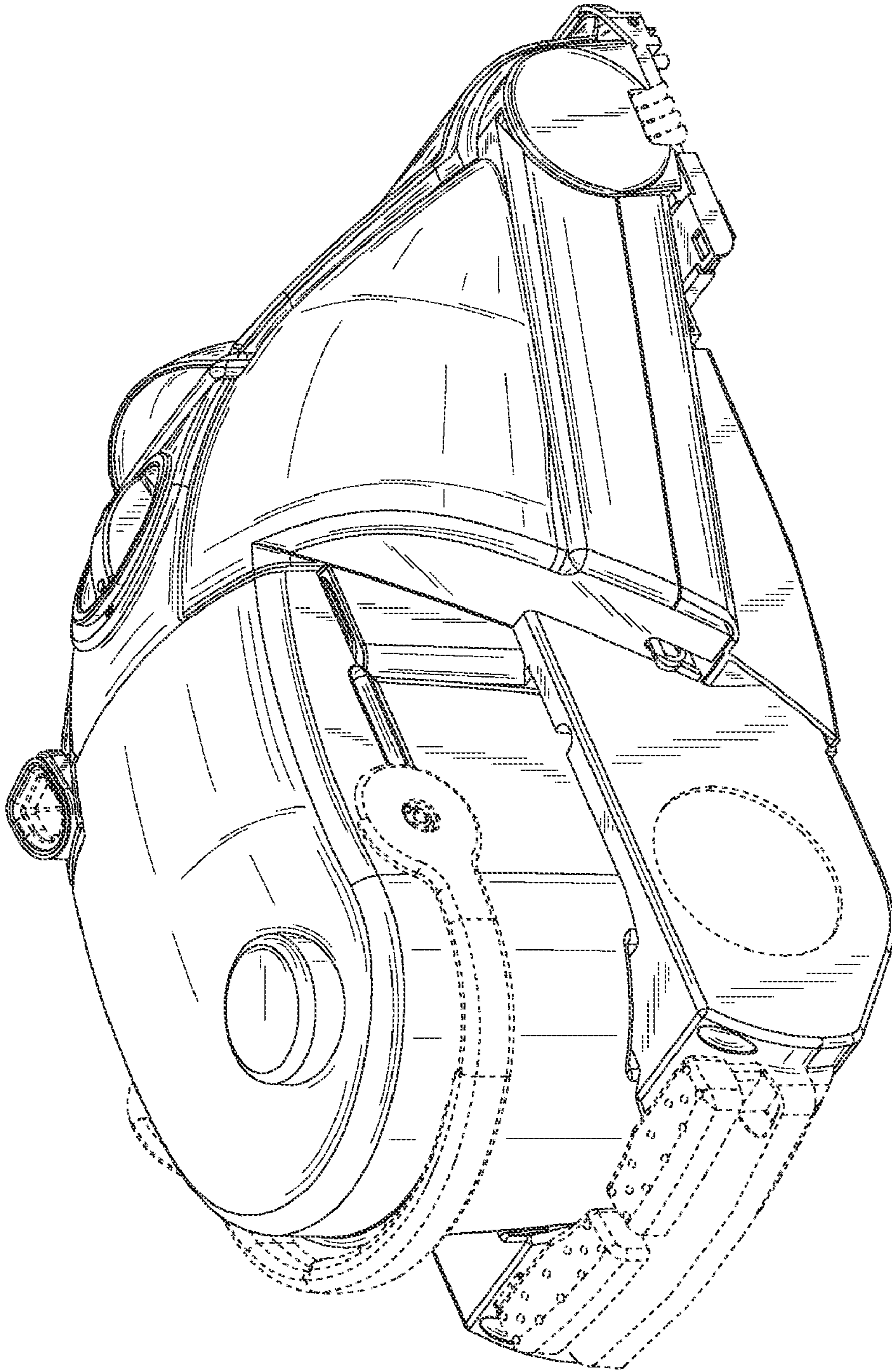


Fig. 7