



US00D598616S

(12) **United States Design Patent**  
**Crawley**

(10) **Patent No.:** **US D598,616 S**

(45) **Date of Patent:** **\*\* Aug. 18, 2009**

(54) **VACUUM CLEANER**

(75) Inventor: **Graeme Crawley,**  
Newcastle-Upon-Tyne (GB)

(73) Assignee: **Black & Decker Inc.,** Newark, DE (US)

(\*\*) Term: **14 Years**

(21) Appl. No.: **29/322,606**

(22) Filed: **Aug. 7, 2008**

(30) **Foreign Application Priority Data**

Feb. 11, 2008 (EM) ..... 000876339

(51) **LOC (9) Cl.** ..... **15-05**

(52) **U.S. Cl.** ..... **D32/22**

(58) **Field of Classification Search** ..... D32/22,  
D32/30-31; 15/320, 329, 335, 340.2, 347,  
15/350-353, 361, 363, 410, 412, 414, 327.1,  
15/327.2, 327.4, 327.6, 415.1, 411; 55/345,  
55/DIG. 3, 336, 337, 429, 343, 433, 418;  
95/271; 301/7, 63.101; 280/78, 47.31, 205  
See application file for complete search history.

(56) **References Cited**

**U.S. PATENT DOCUMENTS**

D301,649 S \* 6/1989 Yamamoto et al. .... D32/22  
D398,096 S \* 9/1998 Gildersleeve ..... D32/22  
D399,618 S \* 10/1998 Jacobs ..... D32/22

D420,475 S \* 2/2000 Yuen ..... D32/22  
D436,699 S \* 1/2001 Makihara et al. .... D32/22  
D521,699 S \* 5/2006 Greene et al. .... D32/22  
D545,011 S \* 6/2007 Ågren et al. .... D32/22  
D565,814 S \* 4/2008 Ågren et al. .... D32/22  
D565,816 S \* 4/2008 Ågren et al. .... D32/22  
D582,111 S \* 12/2008 Ågren et al. .... D32/22  
2008/0256744 A1 \* 10/2008 Rowntreer et al. .... 15/350

\* cited by examiner

*Primary Examiner*—Ruth McInroy

(74) *Attorney, Agent, or Firm*—John Yun; Bruce S. Shapiro;  
Wesley Muller

(57) **CLAIM**

The ornamental design for a vacuum cleaner, as shown and described.

**DESCRIPTION**

FIG. 1 is a front perspective view of a vacuum cleaner showing my new design;

FIG. 2 is a front view thereof;

FIG. 3 is a rear view thereof;

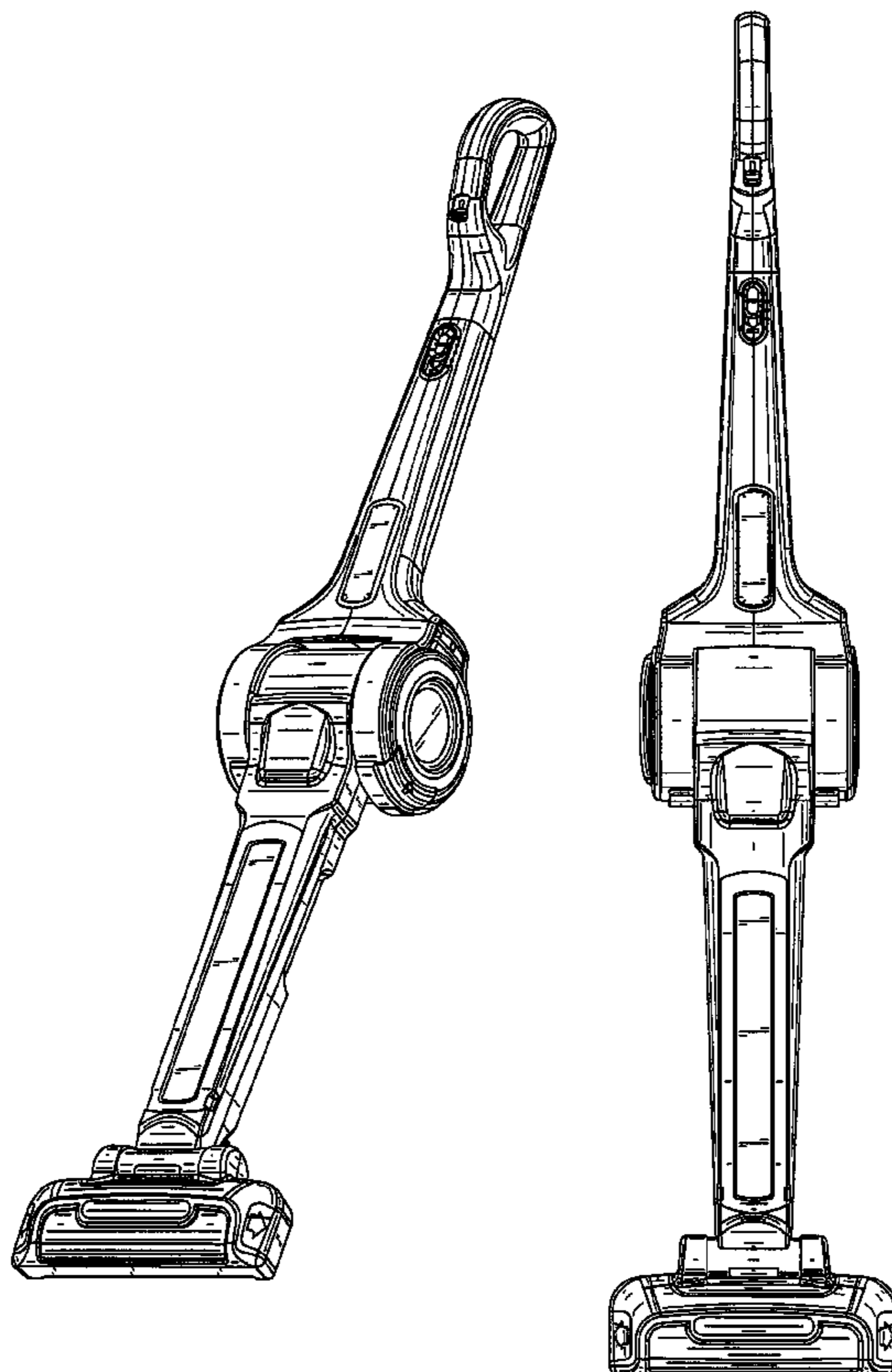
FIG. 4 is a left side view thereof;

FIG. 5 is a right side view thereof;

FIG. 6 is a bottom view thereof; and,

FIG. 7 is a top view of thereof.

**1 Claim, 7 Drawing Sheets**



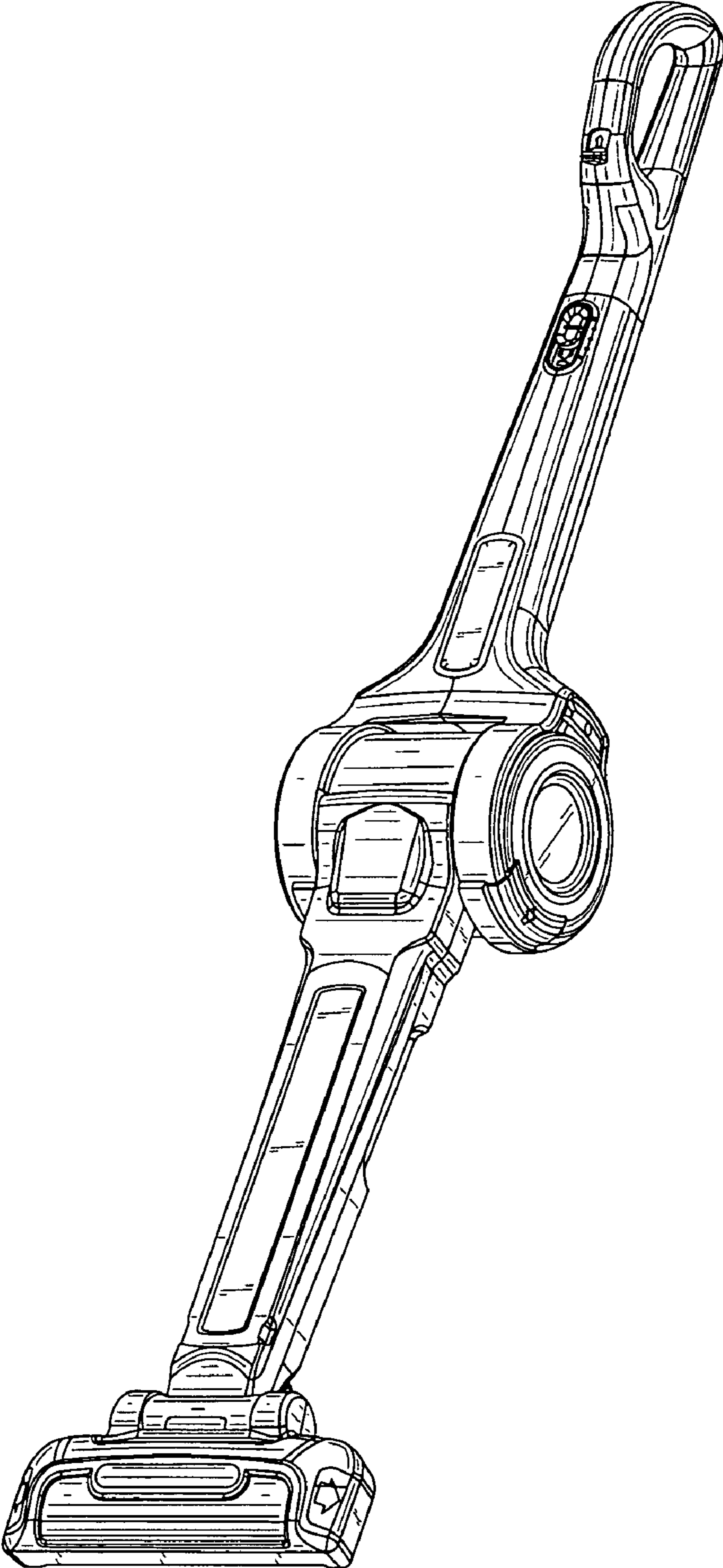


FIG. 1

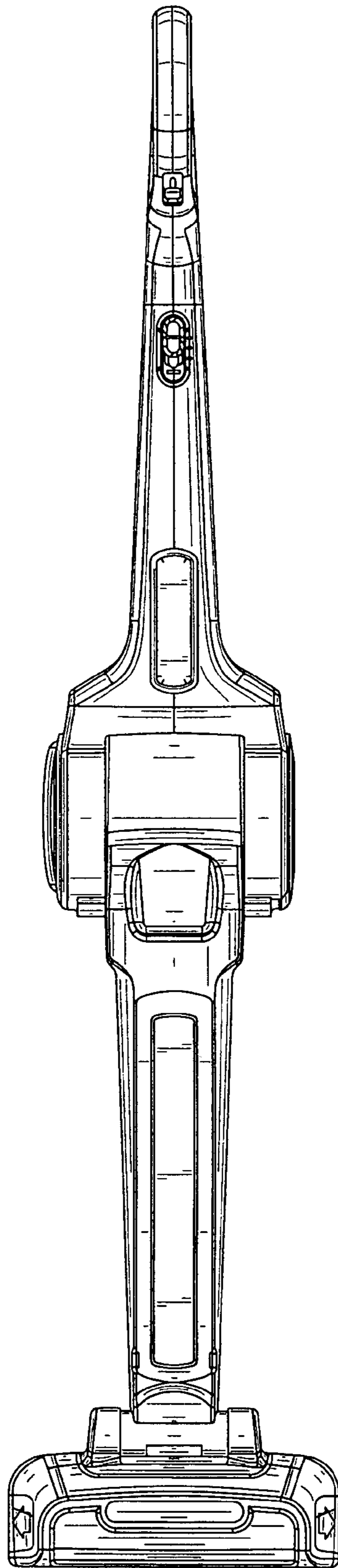


FIG. 2

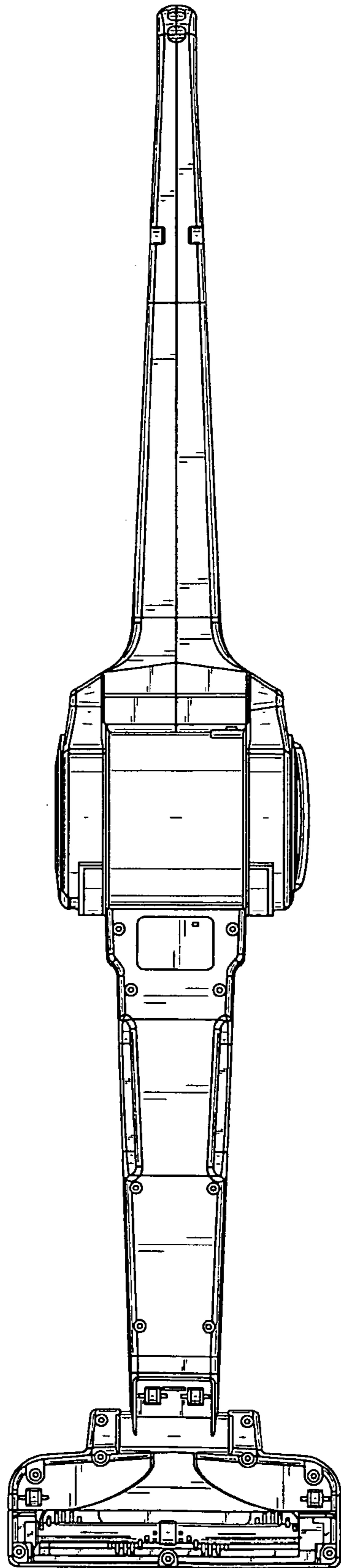


FIG. 3

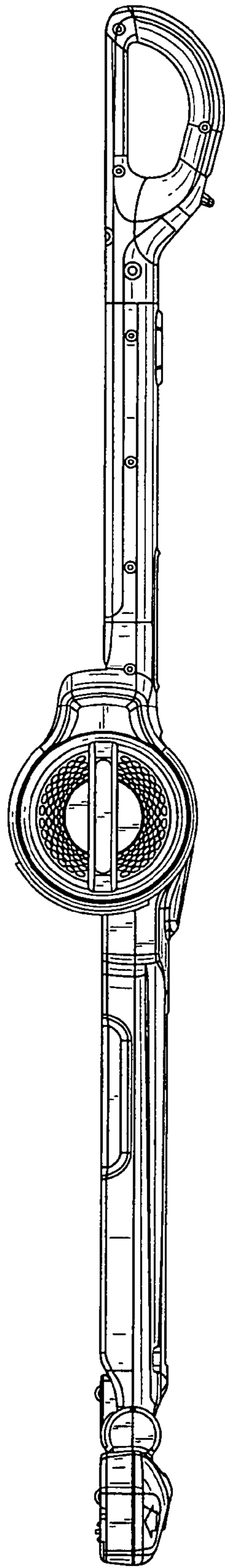


FIG. 4

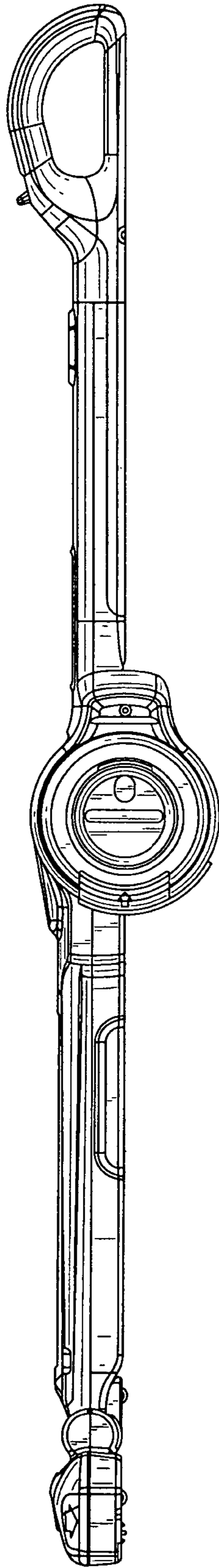


FIG. 5

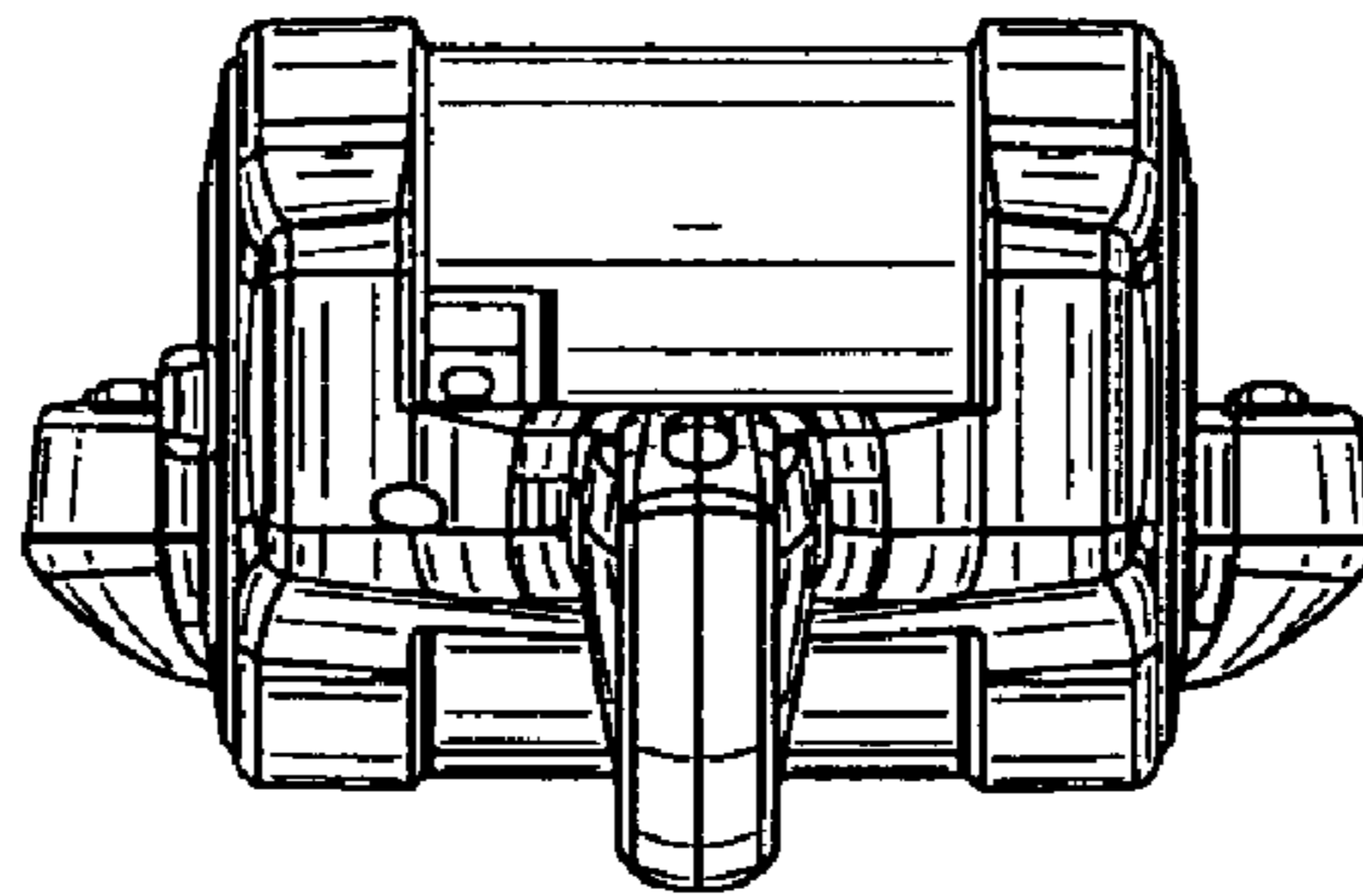


FIG. 6

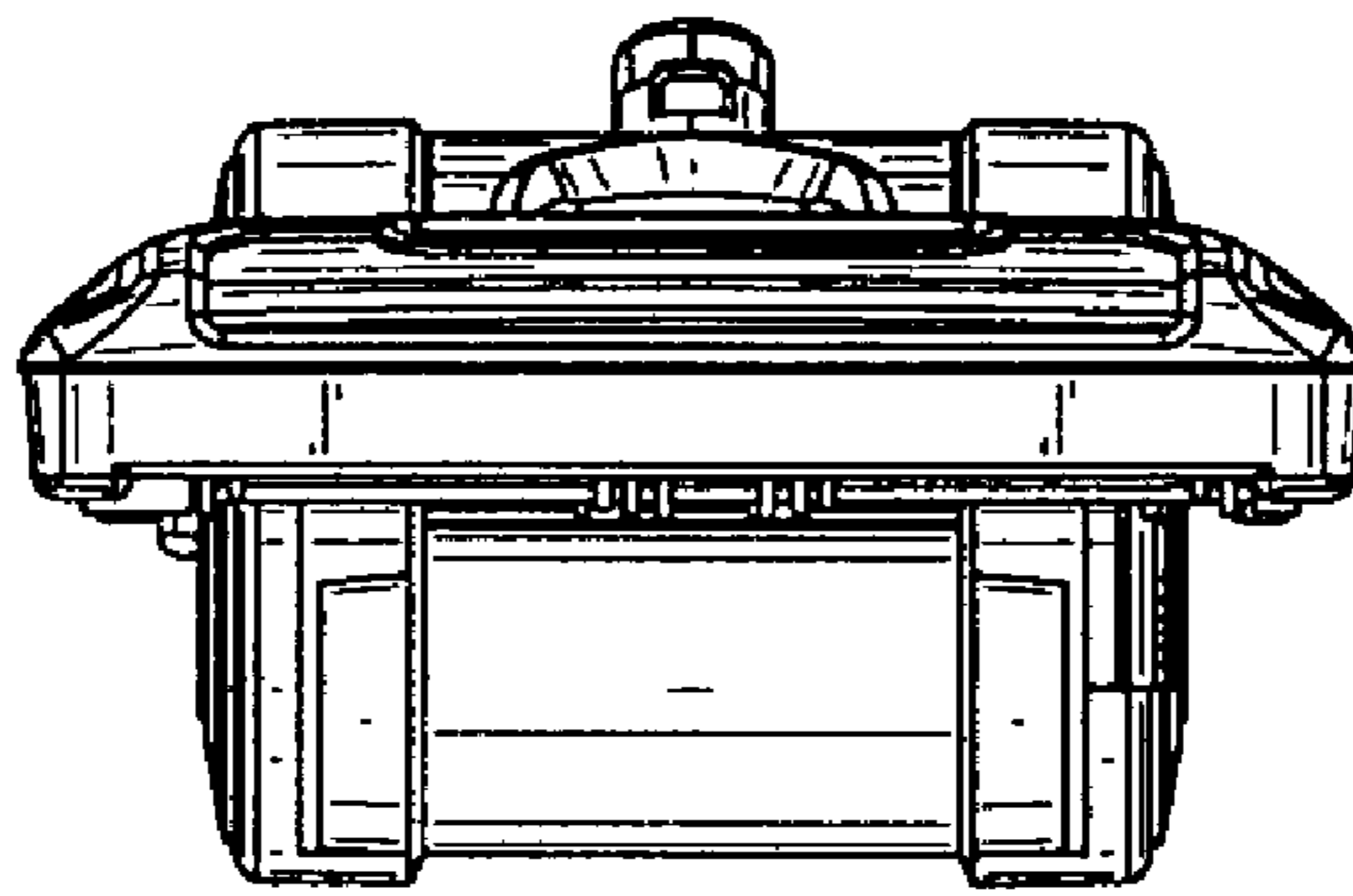


FIG. 7