



US00D598614S

(12) **United States Design Patent**
Lam

(10) **Patent No.:** **US D598,614 S**

(45) **Date of Patent:** **** Aug. 18, 2009**

(54) **MINI GARMENT STEAMER**

(75) Inventor: **Hoi Tak Raymond Lam**, Kowloon (CN)

(73) Assignee: **South Asia International (HK) Limited**, Kowloon, Hong Kong (CN)

(**) Term: **14 Years**

(21) Appl. No.: **29/313,204**

(22) Filed: **Dec. 16, 2008**

(30) **Foreign Application Priority Data**

Nov. 6, 2008 (CN) 2008 3 0008945

(51) **LOC (9) Cl.** **15-05**

(52) **U.S. Cl.** **D32/17**

(58) **Field of Classification Search** D32/9,
D32/68-73, 17-18, 21, 23-24, 31-33; 68/5 R,
68/222, 5 A; 38/85, 82, 77.8, 81, 94, 77.83,
38/79, 96, 77.5-77.9, 3, 69, 77.3; 392/403-406,
392/324, 333, 342, 379; 219/259, 242, 254,
219/246; 8/149.3; 15/344, 329, 320-322,
15/415.1-422.1, 327.1-327.2, 327.5-327.7,
15/414, 398, 400

See application file for complete search history.

(56) **References Cited**

U.S. PATENT DOCUMENTS

D219,751 S * 1/1971 Osrow D32/17
D221,992 S * 9/1971 Bluestein D32/17
D233,209 S * 10/1974 Terraillon D32/17
D307,341 S * 4/1990 Tsuji et al. D32/17

D378,001 S * 2/1997 Muller et al. D32/17
D436,424 S * 1/2001 Buzzi D32/17
D447,841 S * 9/2001 Rosa D32/17
D452,051 S * 12/2001 Antonio D32/17
D481,183 S * 10/2003 Mangano 32/35
D482,505 S * 11/2003 Chow D32/17
D485,651 S * 1/2004 Lin D32/17
D488,269 S * 4/2004 Tsai D32/17
D519,694 S * 4/2006 Rosenzweig et al. D32/17
D525,399 S * 7/2006 Alday Lesaga D32/17
D563,063 S * 2/2008 Mangano et al. D32/17
2005/0125934 A1 * 6/2005 Reese 15/320
2008/0022480 A1 * 1/2008 Lee 15/320

* cited by examiner

Primary Examiner—Ruth McInroy

(74) *Attorney, Agent, or Firm*—Alix, Yale & Ristas, LLP

(57) **CLAIM**

The ornamental design for a mini garment steamer, as shown and described.

DESCRIPTION

FIG. 1 is a perspective view of a mini garment steamer showing my new design;

FIG. 2 is a front view thereof;

FIG. 3 is a rear view thereof;

FIG. 4 is a right side view thereof;

FIG. 5 is a left side view thereof;

FIG. 6 is a top plan view thereof; and,

FIG. 7 is a bottom plan view thereof.

1 Claim, 7 Drawing Sheets

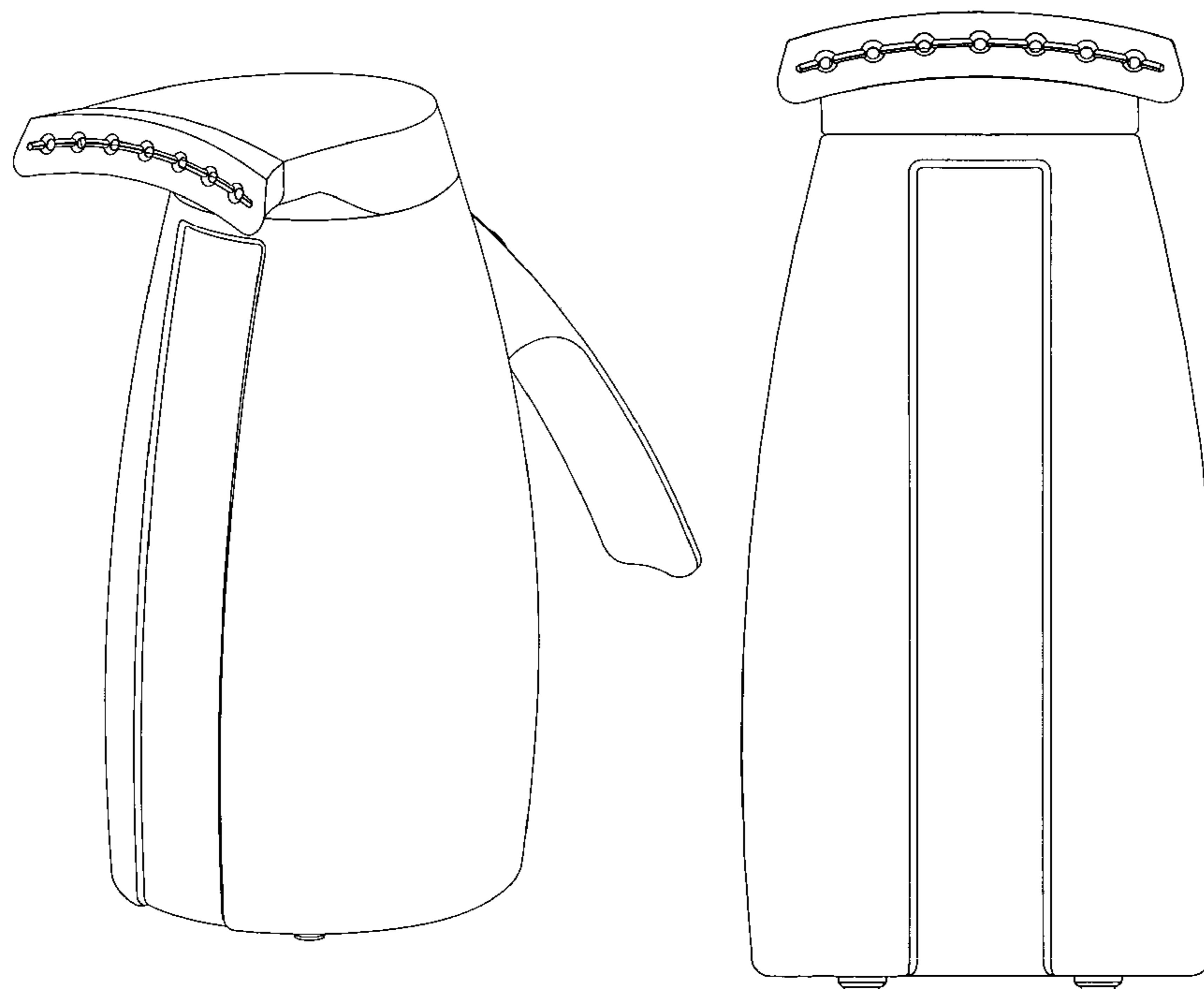




Fig. 1

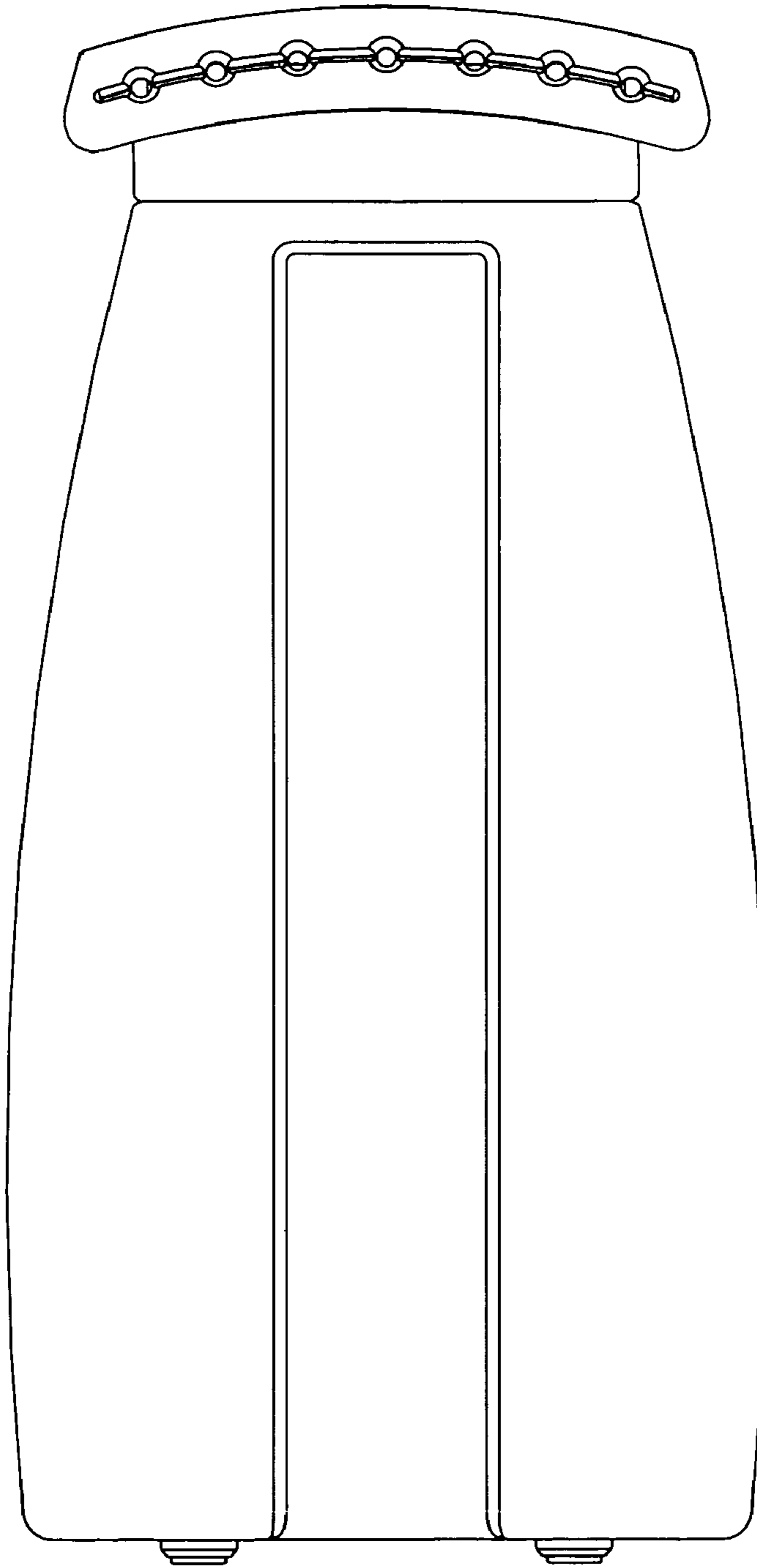


Fig. 2

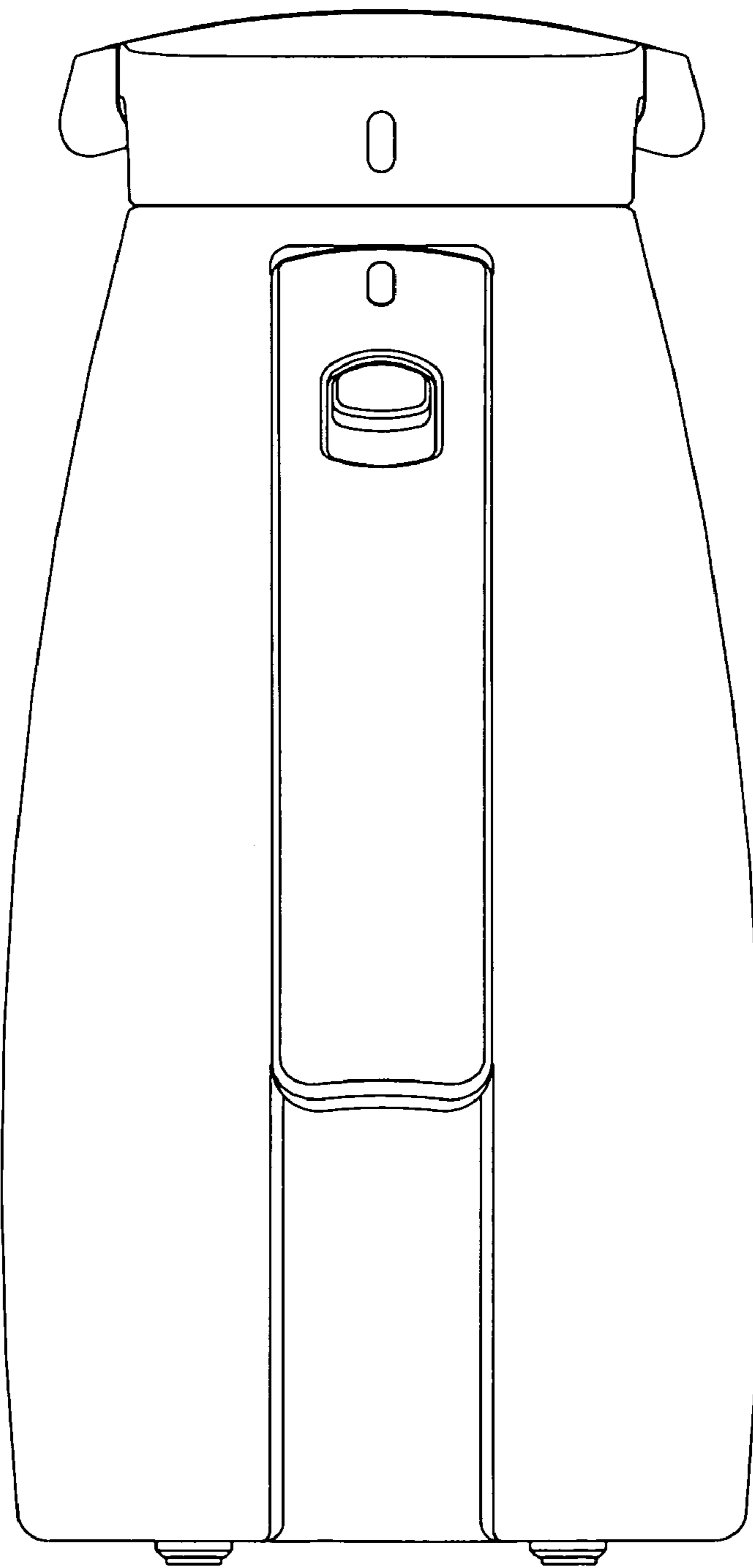


Fig. 3

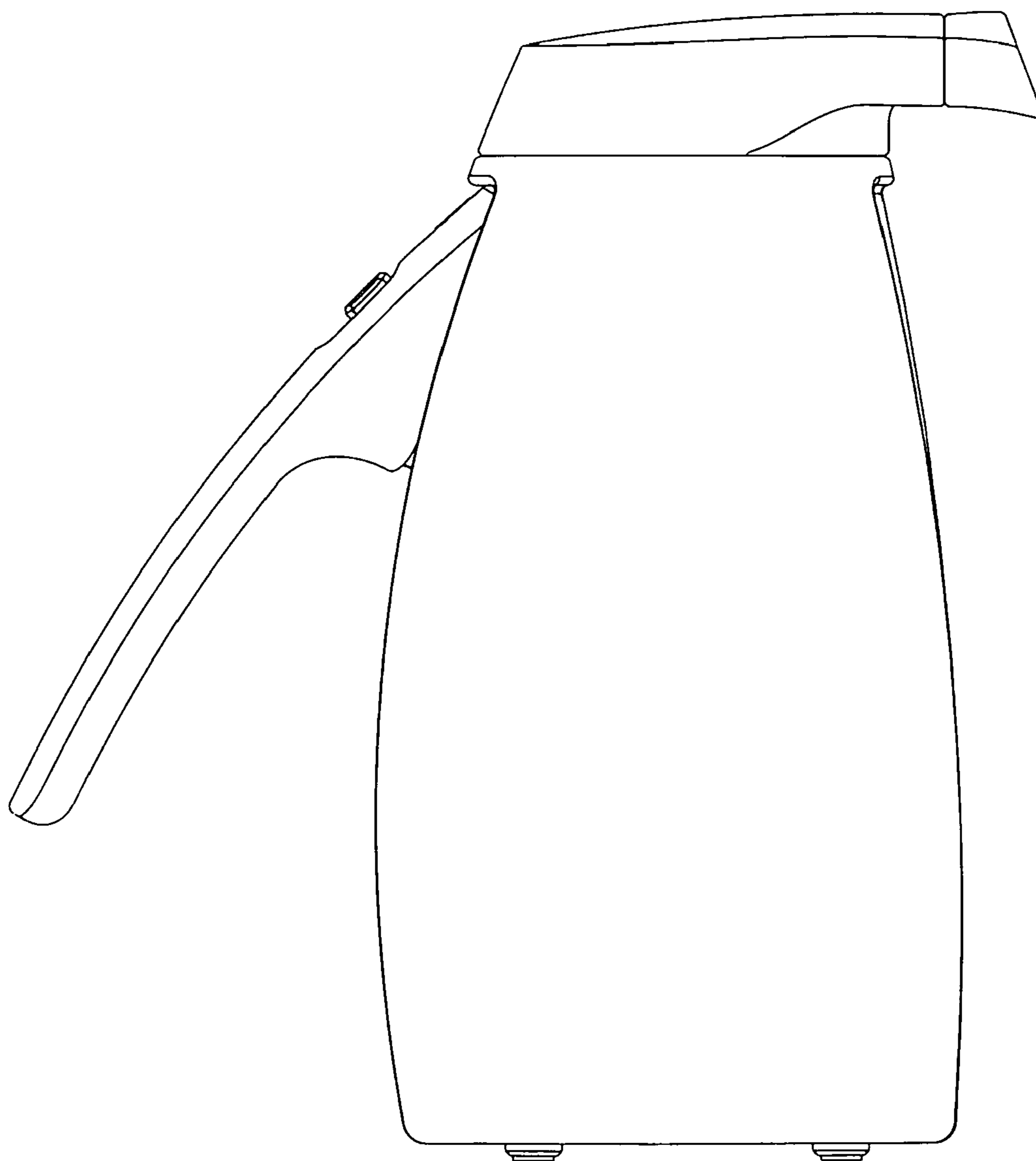


Fig. 4



Fig. 5

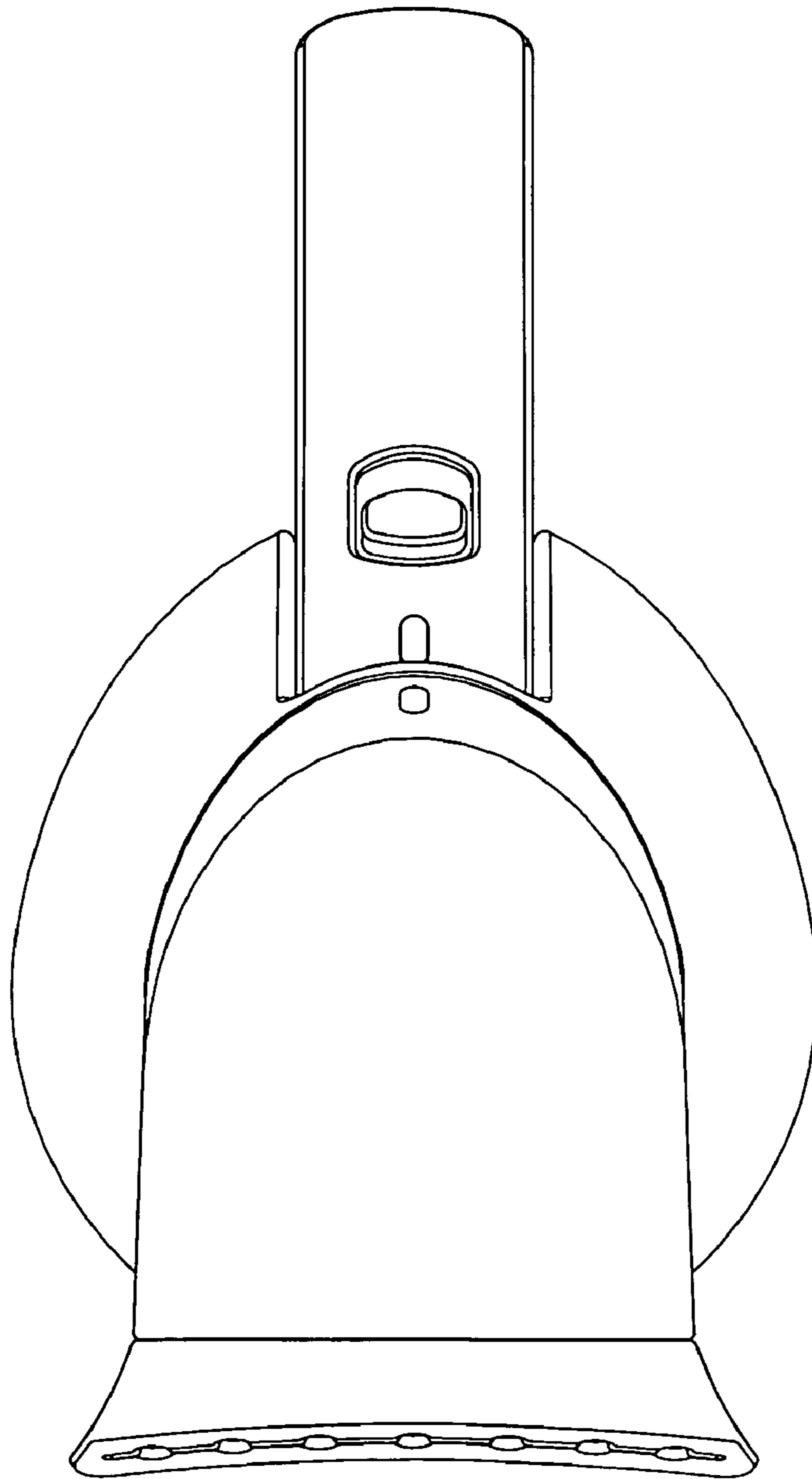


Fig. 6

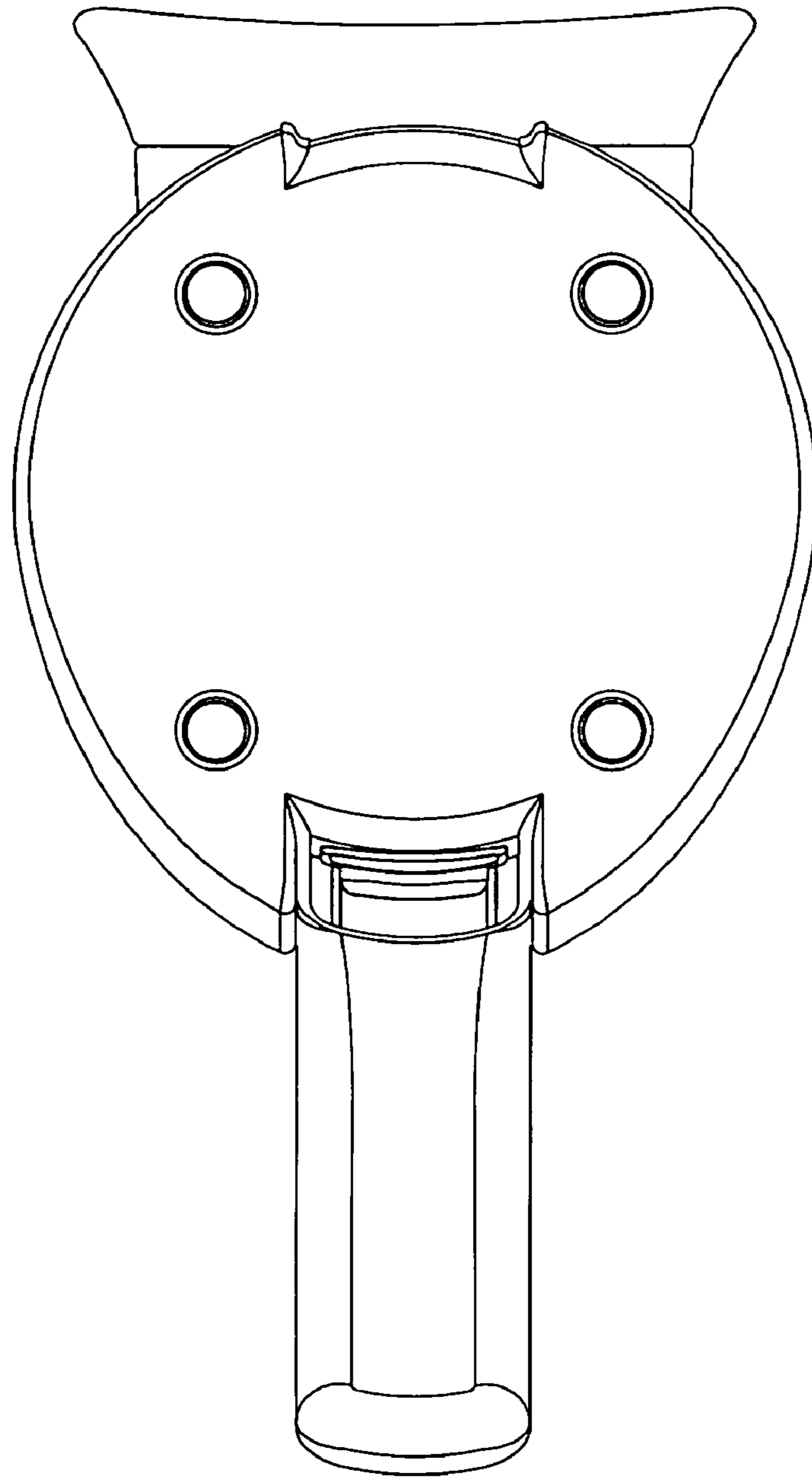


Fig. 7