



US00D598612S

(12) **United States Design Patent**
Mihlbauer

(10) **Patent No.:** **US D598,612 S**

(45) **Date of Patent:** **** Aug. 18, 2009**

(54) **AQUARIUM FRAME**

(75) **Inventor:** **Brad L. Mihlbauer**, Mukwonago, WI (US)

(73) **Assignee:** **Central Garden and Pet Company**, Walnut Creek, CA (US)

(**) **Term:** **14 Years**

(21) **Appl. No.:** **29/298,751**

(22) **Filed:** **Dec. 12, 2007**

(51) **LOC (9) Cl.** **30-02**

(52) **U.S. Cl.** **D30/106**

(58) **Field of Classification Search** D30/101-107;
119/245-247, 253-256, 258
See application file for complete search history.

(56) **References Cited**

U.S. PATENT DOCUMENTS

D246,262 S *	11/1977	Zupo	D30/101
D330,434 S	10/1992	Watters		
D350,403 S	9/1994	Watters		
6,484,669 B1 *	11/2002	Mihlbauer	119/245
D471,325 S *	3/2003	Mihlbauer	D30/106
D472,020 S *	3/2003	Mihlbauer	D30/106

OTHER PUBLICATIONS

Profile A, available at least as early as Jan. 1, 2006.

Profile B, available at least as early as Jun. 1, 2006.

* cited by examiner

Primary Examiner—Cathy Anne MacCormac

(74) *Attorney, Agent, or Firm*—Andrus, Scales, Starke & Sawall, LLP

(57) **CLAIM**

The ornamental design for an aquarium frame, as shown and described.

DESCRIPTION

FIG. 1 is a front perspective view of an aquarium frame;

FIG. 2 is a front view of the aquarium frame;

FIG. 3 is an enlarged partial view of the front perspective view of FIG. 1;

FIG. 4 is a front view of the aquarium frame;

FIG. 5 is a top view of the aquarium frame;

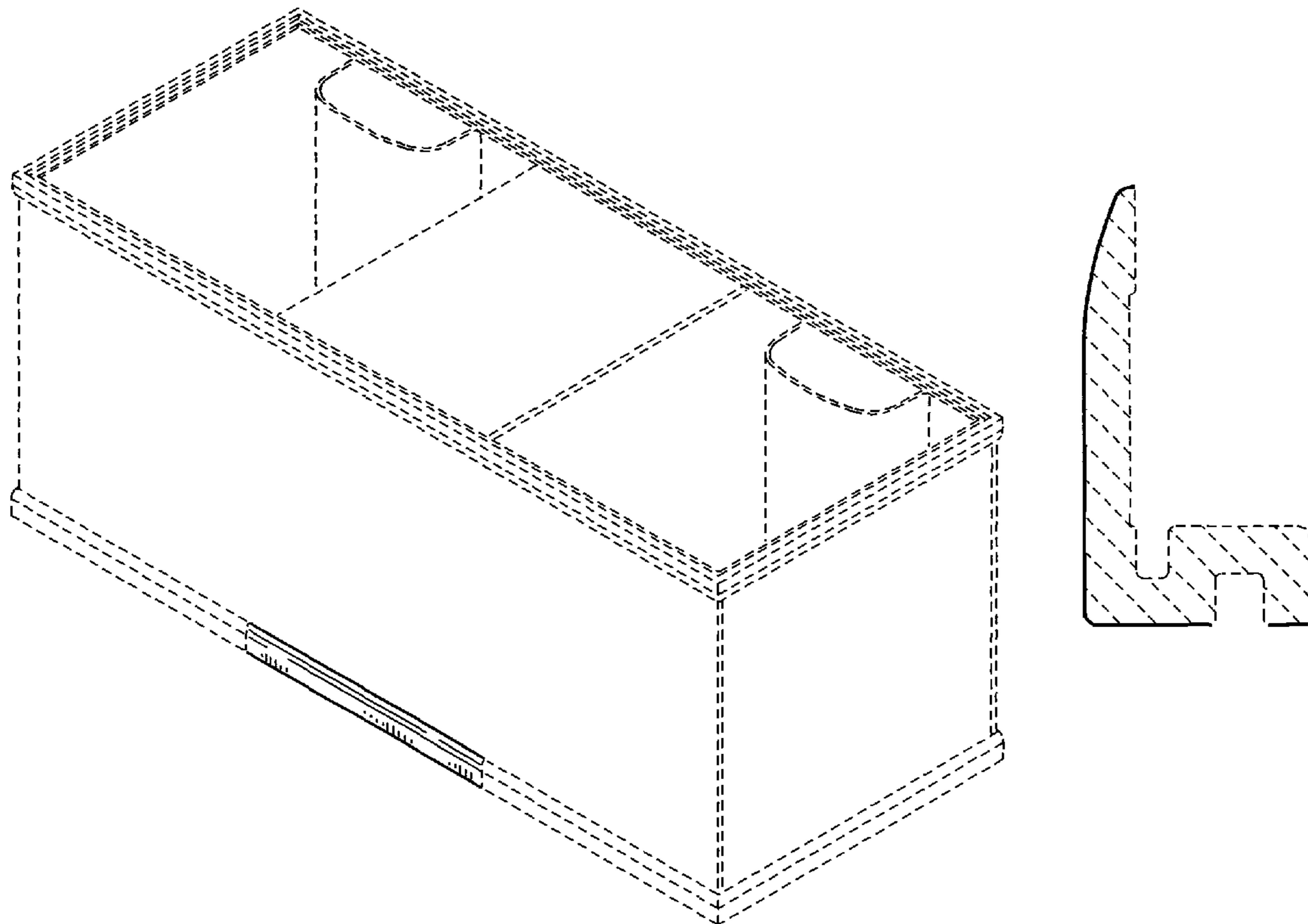
FIG. 6 is a bottom view of the aquarium frame;

FIG. 7 is a rear view of the aquarium frame; and,

FIG. 8 is a view of section 8—8 shown in FIG. 4.

The broken lines shown in the figures are for illustration only and form no part of the claimed design.

1 Claim, 4 Drawing Sheets



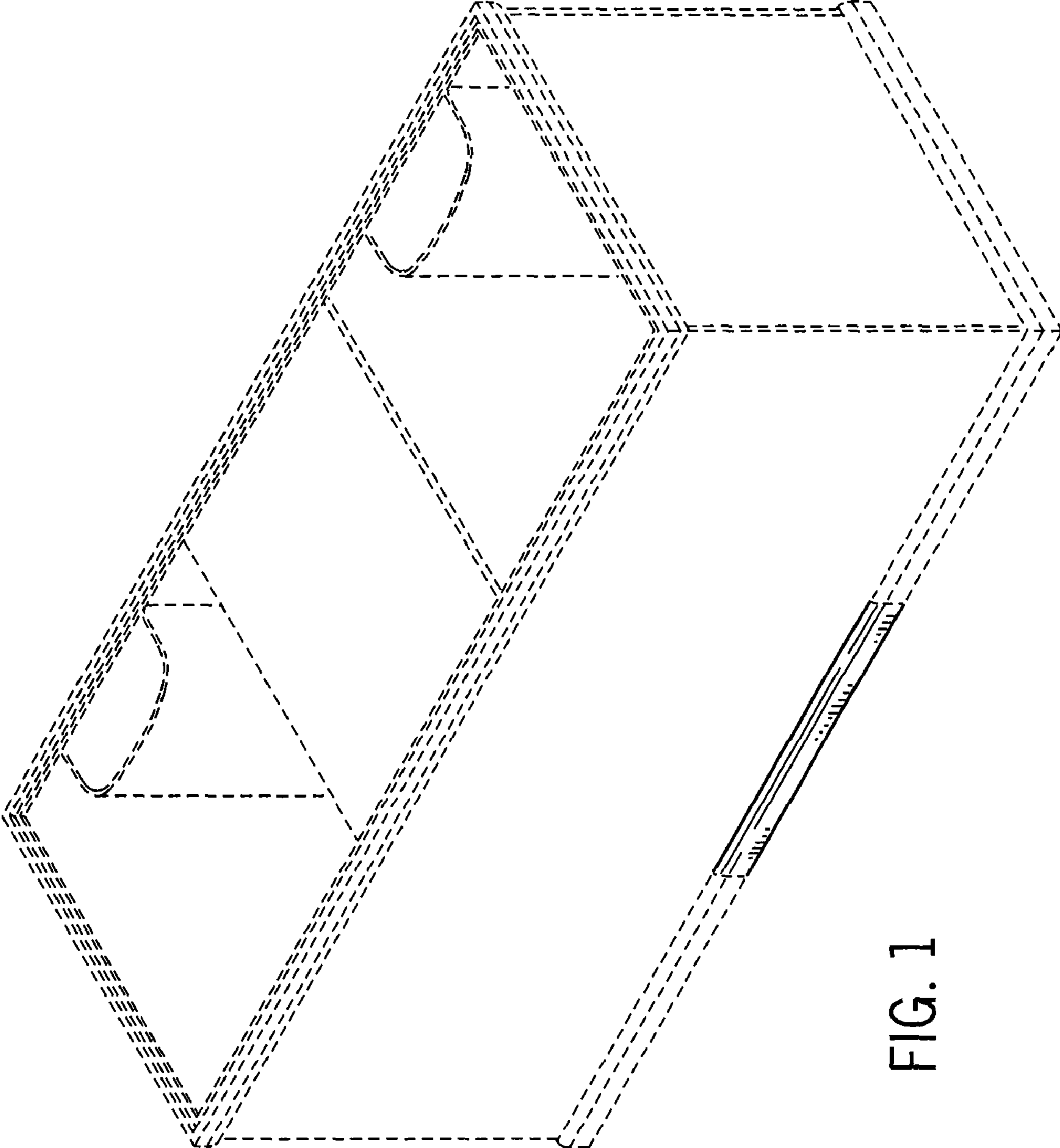


FIG. 1

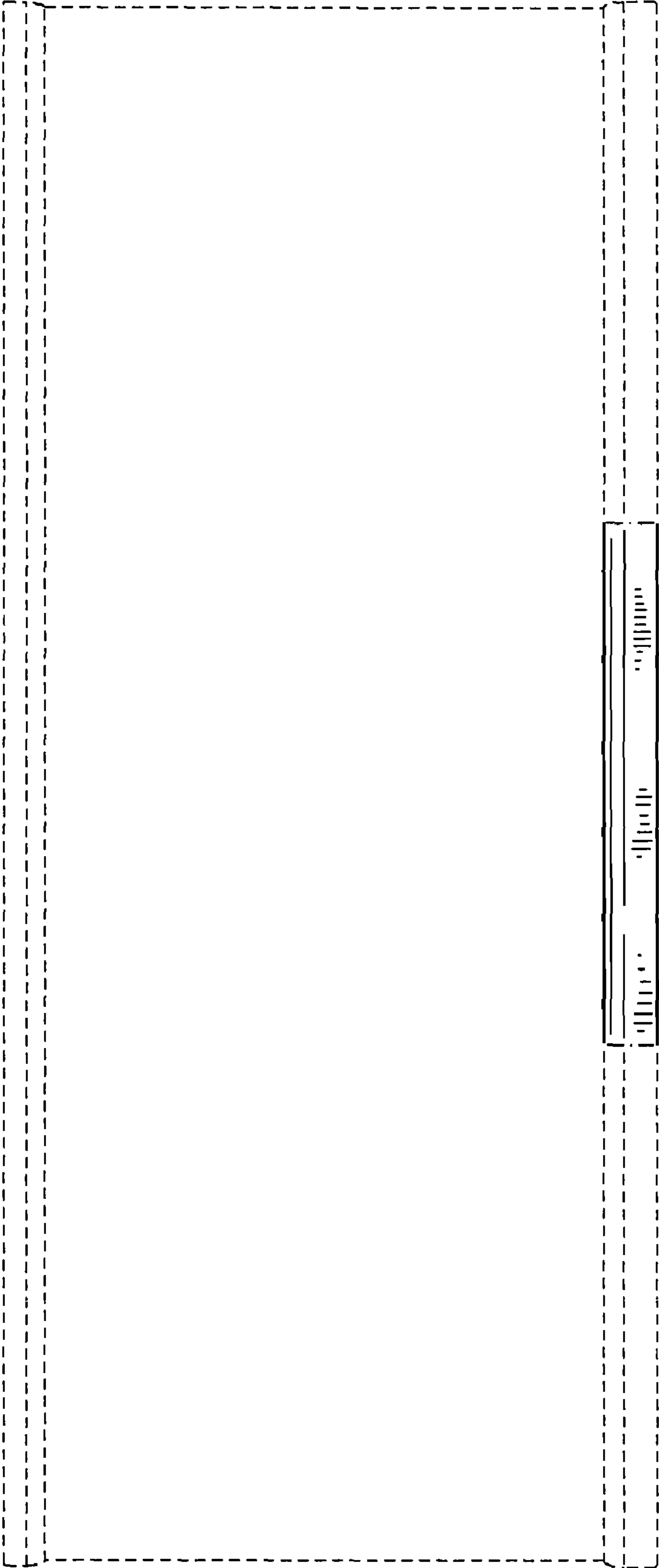


FIG. 2

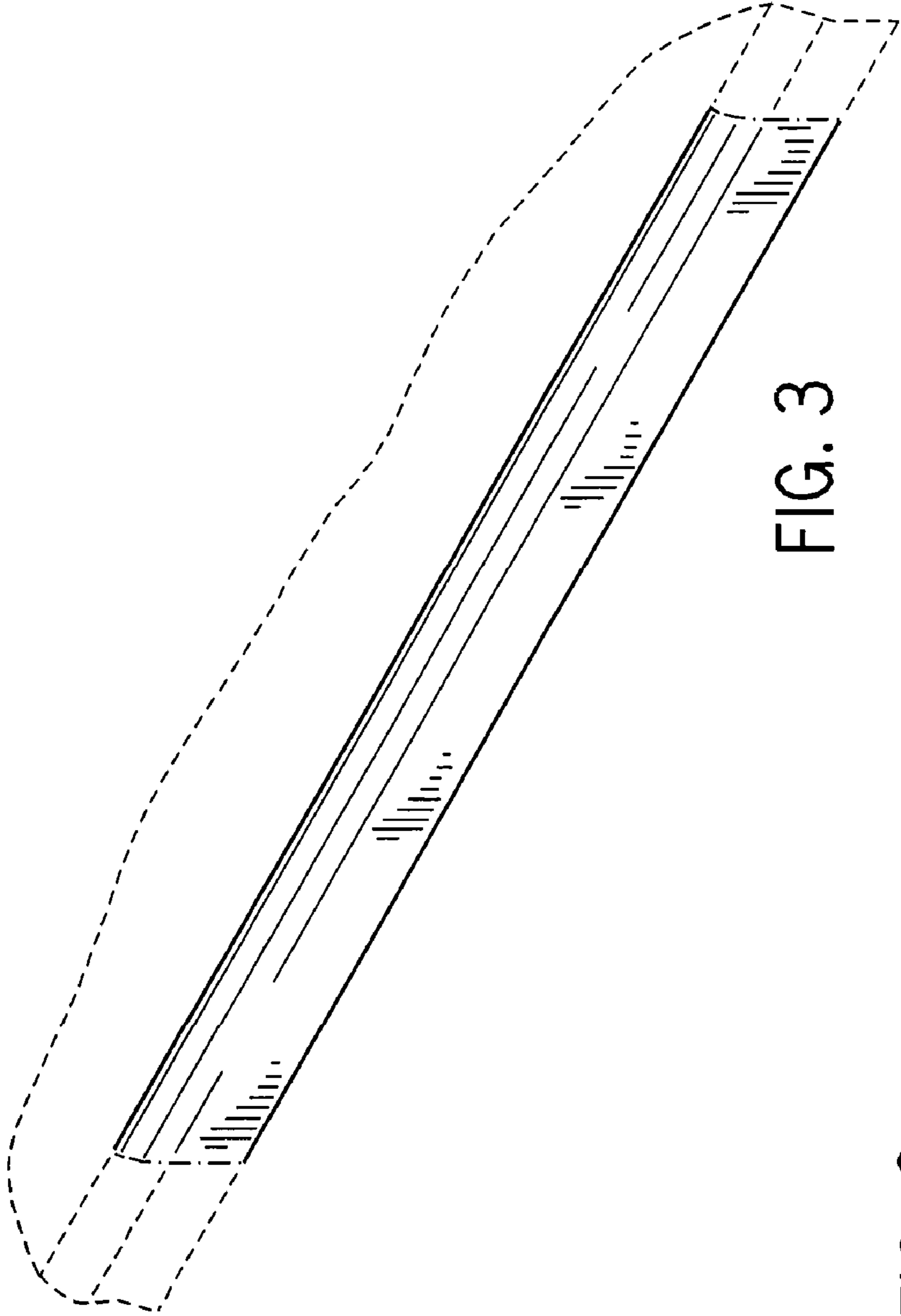


FIG. 3

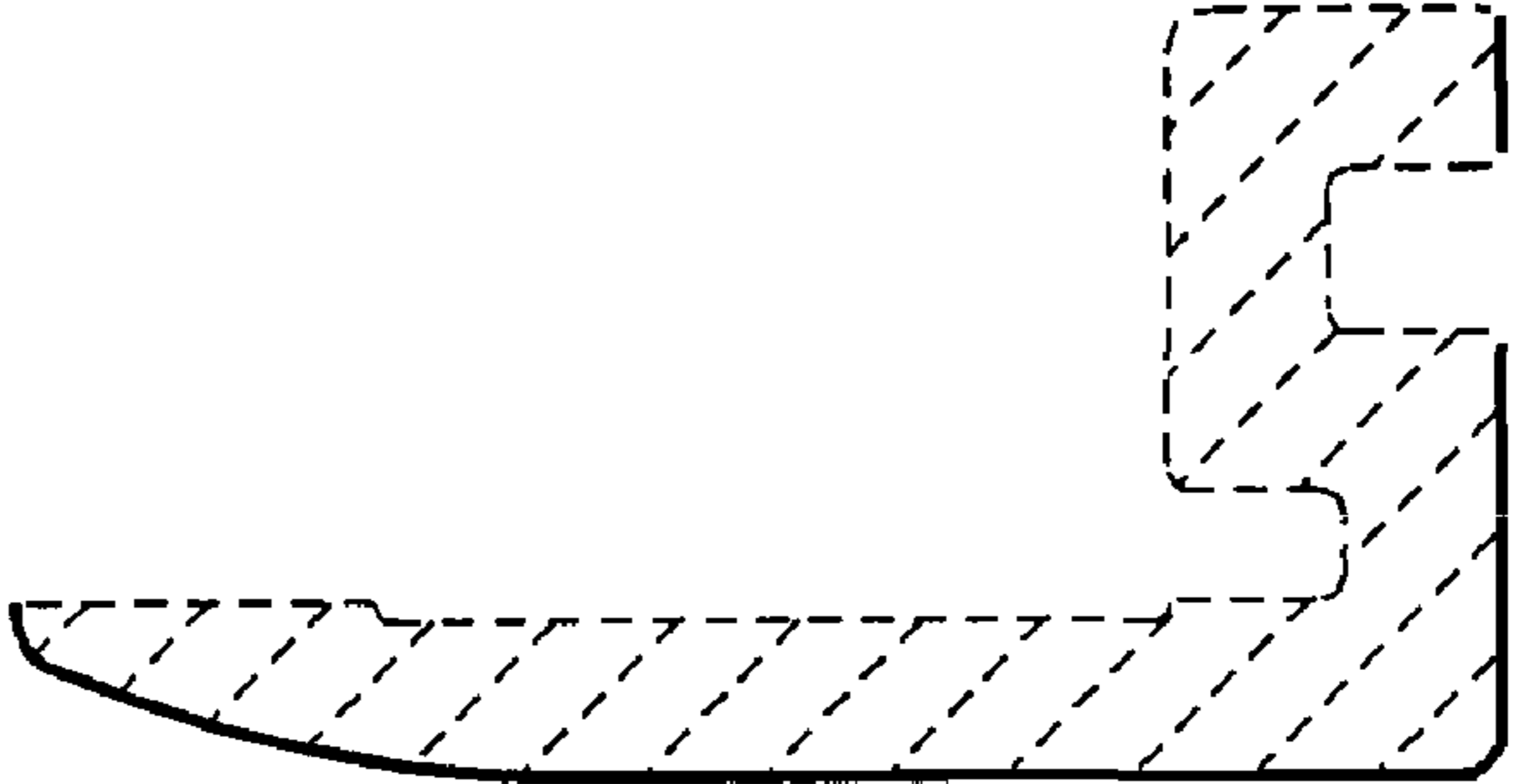


FIG. 8

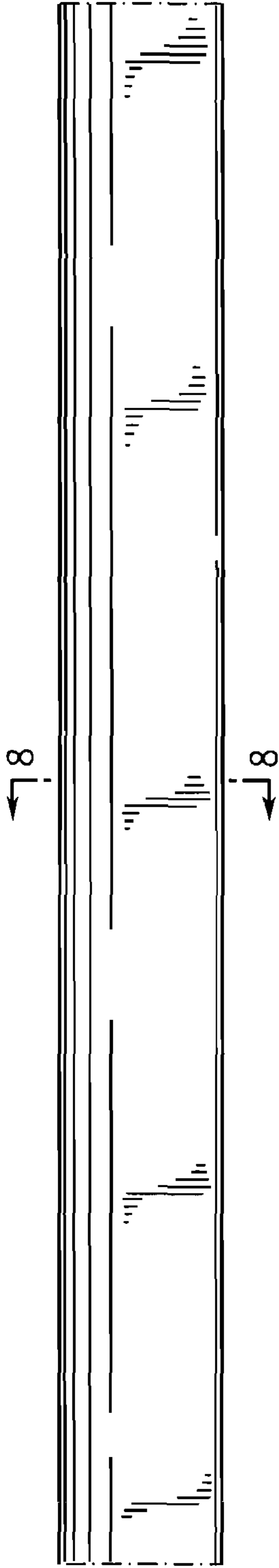


FIG. 4



FIG. 5

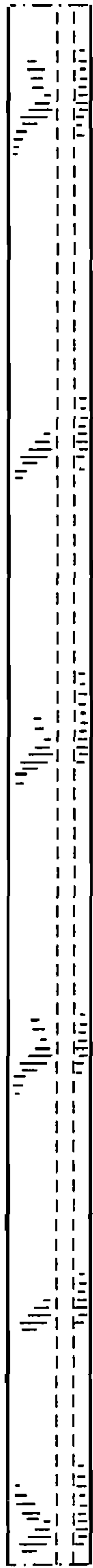


FIG. 6

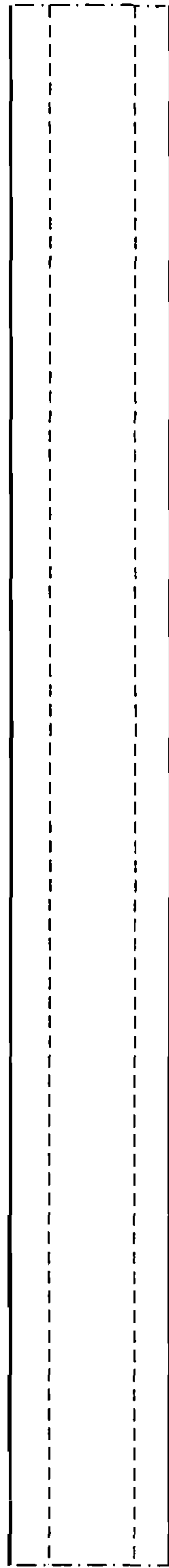


FIG. 7