



US00D598611S

(12) **United States Design Patent**  
**Ragonetti et al.**

(10) **Patent No.:** **US D598,611 S**

(45) **Date of Patent:** **\*\* Aug. 18, 2009**

(54) **DIFFUSER ASSEMBLY**

(75) Inventors: **Peter Ragonetti**, Brooklyn, NY (US);  
**Jonathan Willinger**, Tenafly, NJ (US)

(73) Assignee: **J.W. Pet Company, Inc.**, Teterboro, NJ  
(US)

(\*\*) Term: **14 Years**

(21) Appl. No.: **29/298,482**

(22) Filed: **Dec. 6, 2007**

(51) **LOC (9) Cl.** ..... **30-02**

(52) **U.S. Cl.** ..... **D30/106**

(58) **Field of Classification Search** ..... D30/101-107;  
119/229, 232, 245-250, 253-255, 258-263,  
119/523; D23/209-210, 316; 210/167.21,  
210/167.23, 167.25, 167.26, 167.27; 261/5  
See application file for complete search history.

(56) **References Cited**

U.S. PATENT DOCUMENTS

2,824,728 A	2/1958	Crawford	
3,326,184 A	6/1967	Greenbaum	
3,396,949 A	8/1968	Tsarnas	
3,507,253 A *	4/1970	Willinger	119/263
D224,238 S *	7/1972	Willinger	D30/106
3,796,858 A	3/1974	Cohn	
D232,102 S *	7/1974	Willinger et al.	D30/106
3,929,102 A	12/1975	Suchowski et al.	
D249,879 S	10/1978	Willinger	
D249,897 S *	10/1978	Willinger	D30/106

4,185,743 A	1/1980	Willinger	
D292,439 S *	10/1987	Richter	D30/106
5,133,906 A	7/1992	Louis	
5,256,282 A	10/1993	Chang et al.	
5,476,068 A	12/1995	Townsend	
6,276,303 B1	8/2001	Van Kley	
6,332,430 B1	12/2001	Santa Cruz et al.	
6,474,266 B1	11/2002	Arnett	
D535,720 S *	1/2007	Porter et al.	D23/210

\* cited by examiner

*Primary Examiner*—Cathy Anne MacCormac

(74) *Attorney, Agent, or Firm*—Katten Muchin Rosenman LLP

(57) **CLAIM**

The ornamental designs for a diffuser assembly, as shown and described.

**DESCRIPTION**

FIG. 1 is a perspective view of a diffuser assembly,

FIG. 2 is a front view thereof,

FIG. 3 is a rear view thereof,

FIG. 4 is a right-side view thereof,

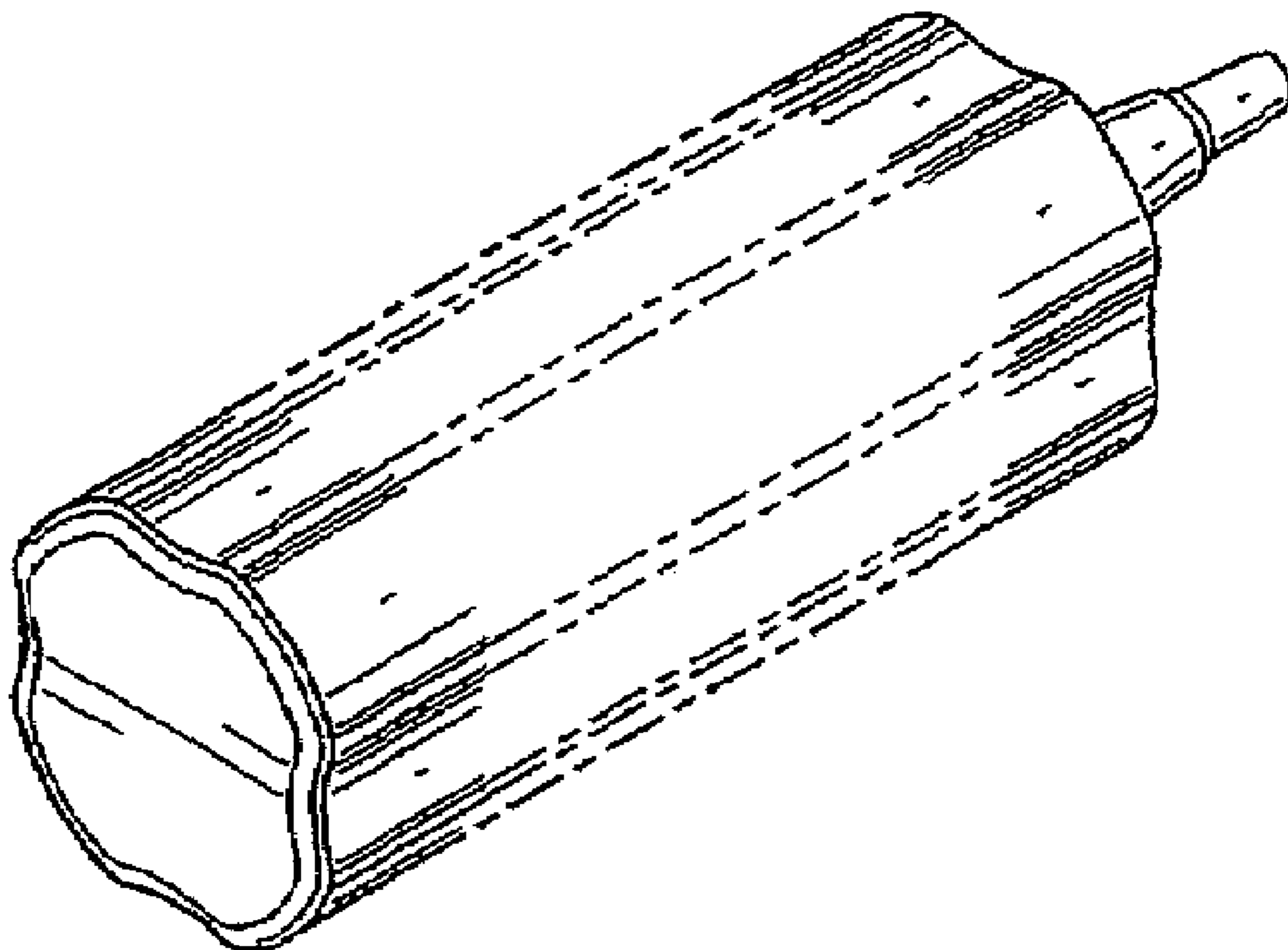
FIG. 5 is a left-side view thereof,

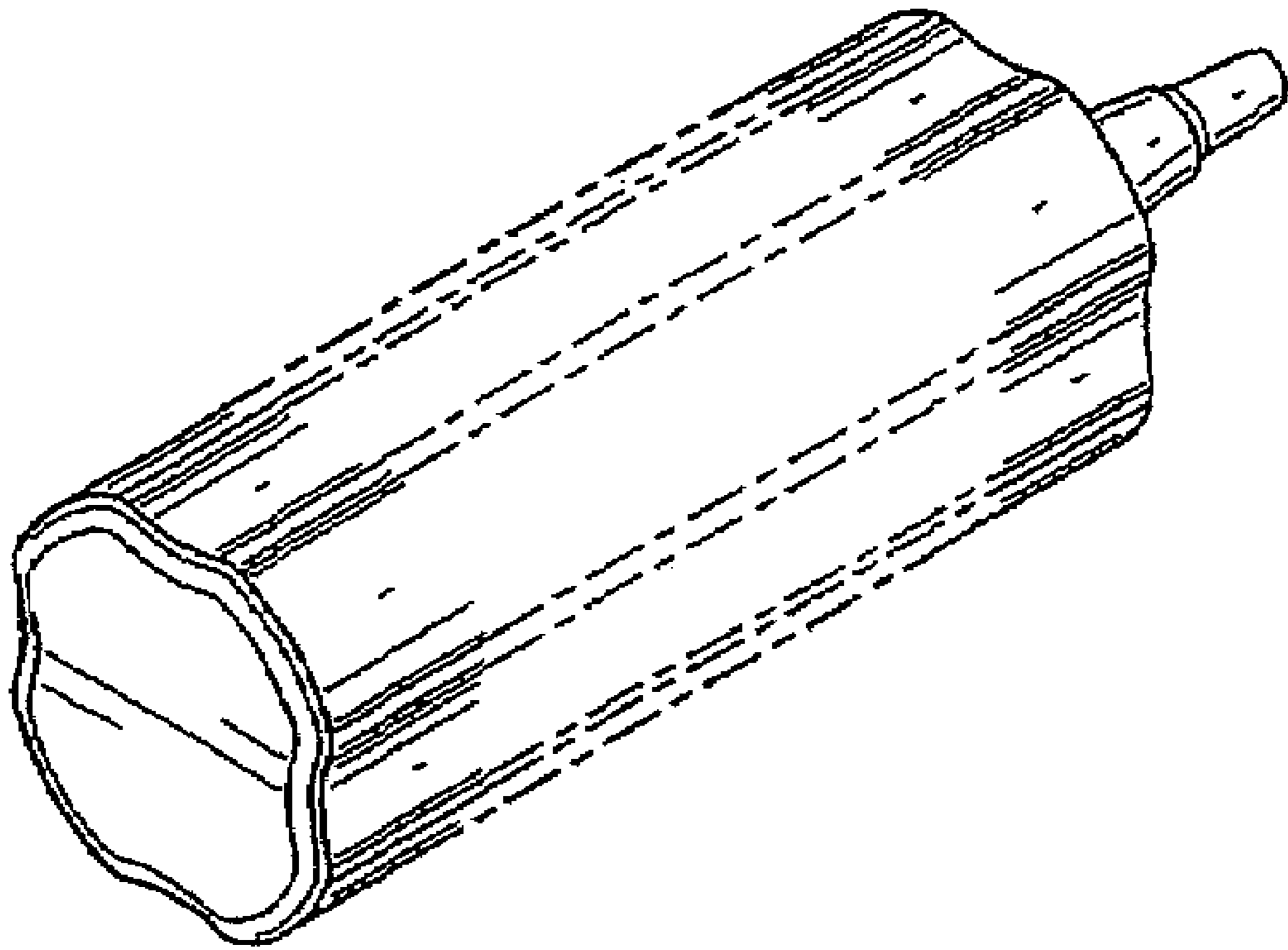
FIG. 6 is a top view thereof; and,

FIG. 7 is a bottom view thereof.

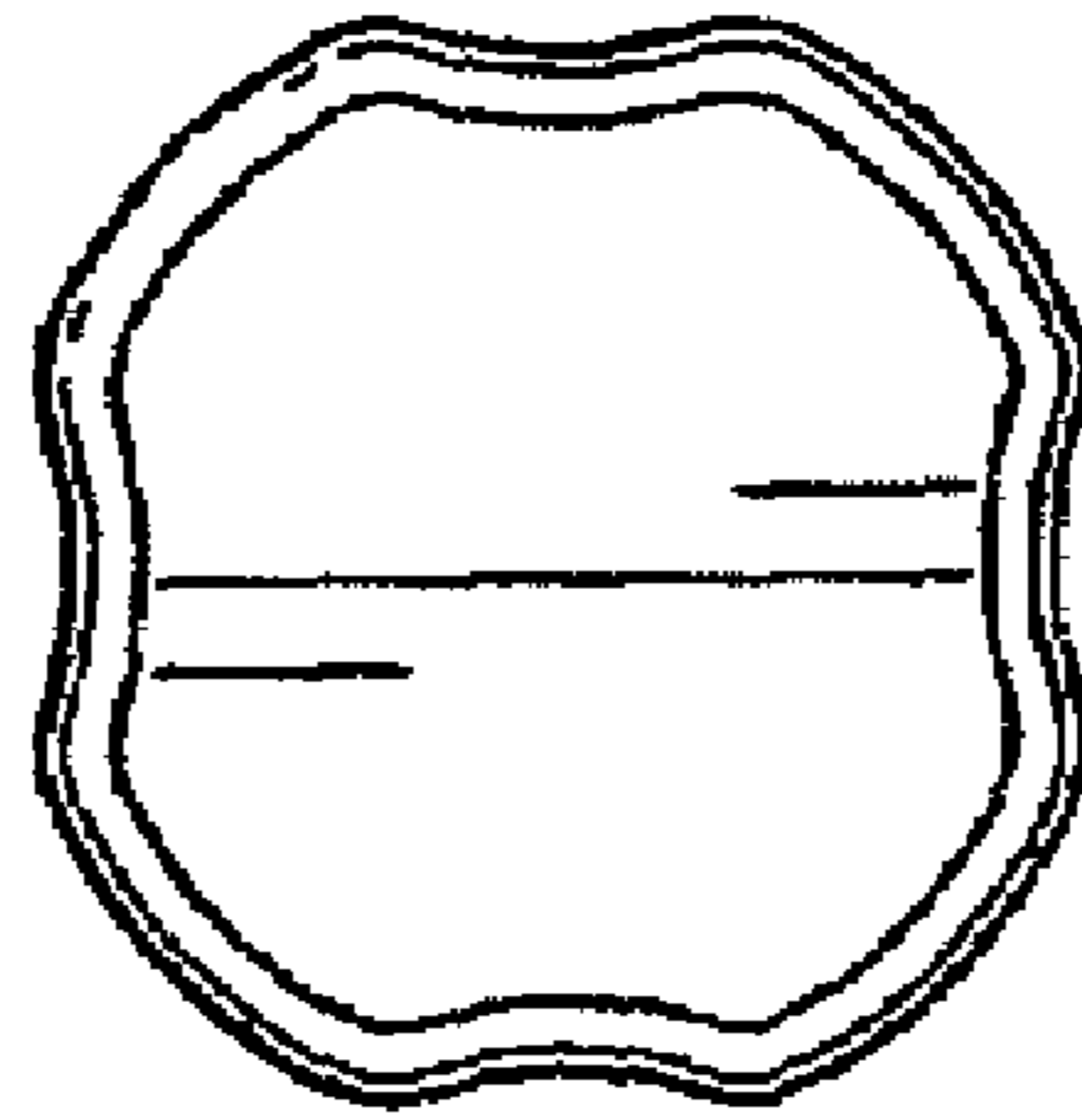
The portions of the designs that are shown in broken lines do not form part of the claimed design.

**1 Claim, 4 Drawing Sheets**

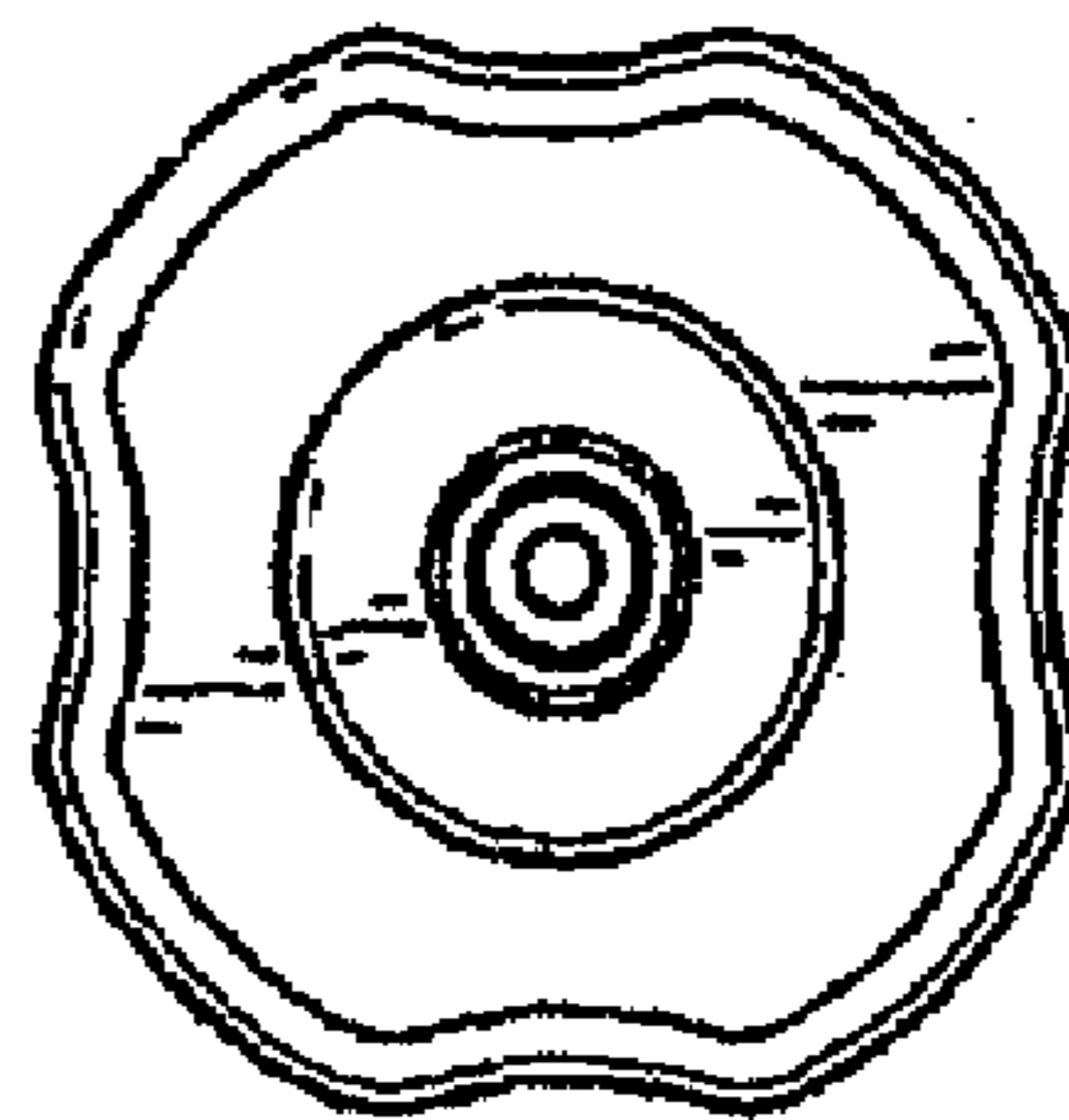




**FIG. 1**



**FIG. 2**



**FIG. 3**

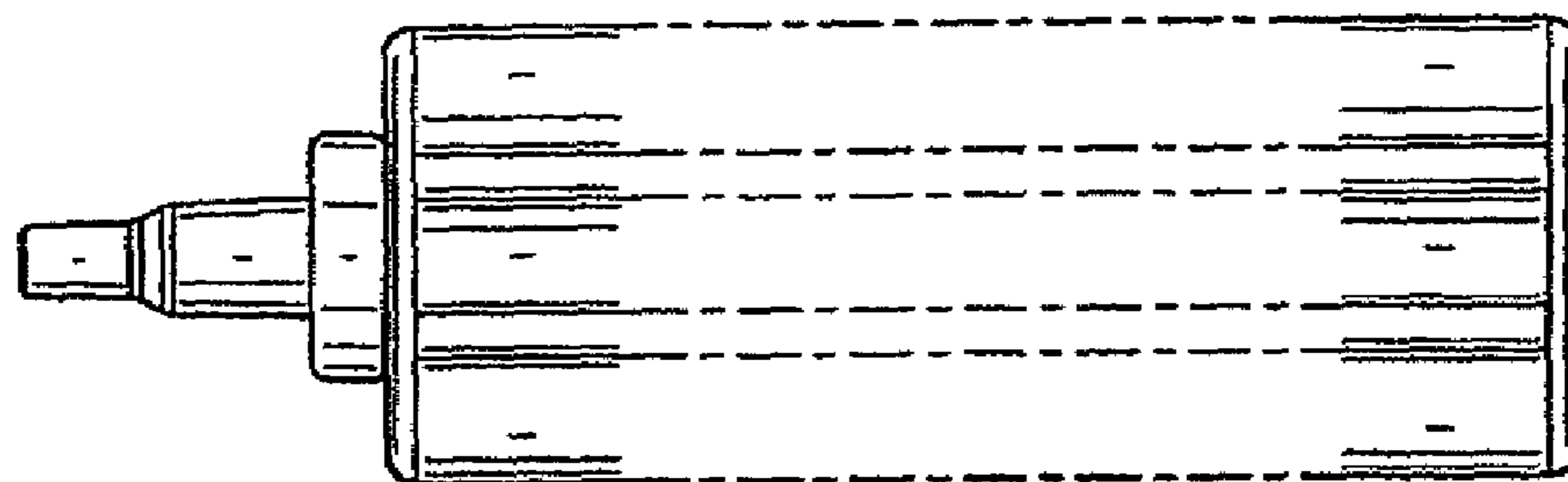


FIG. 4

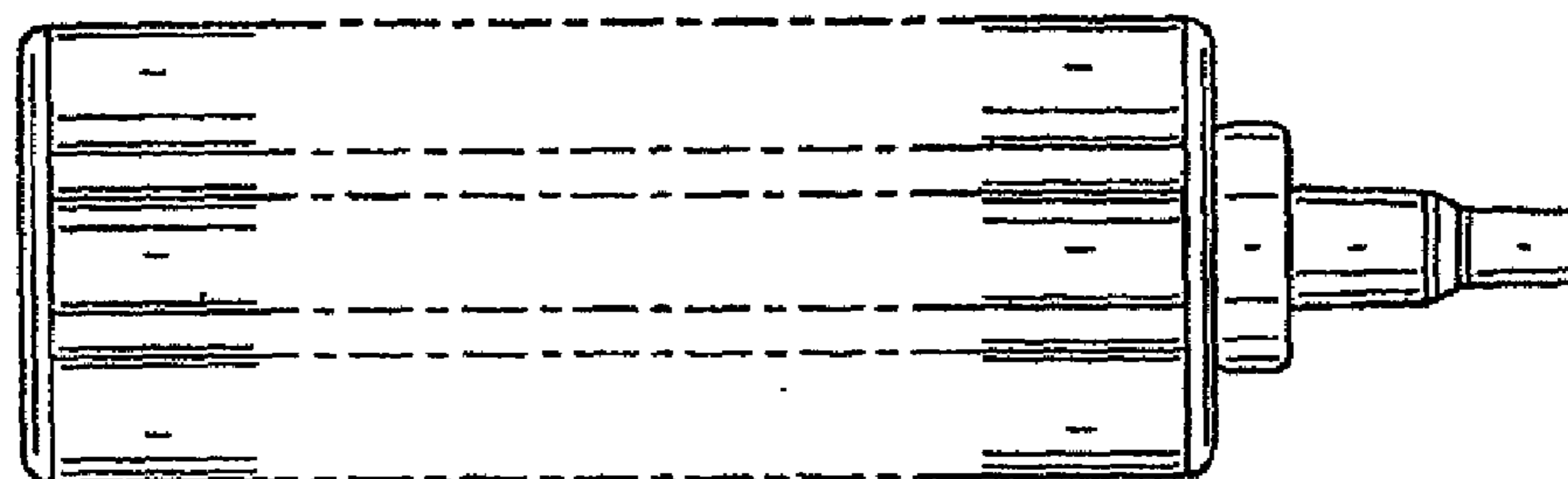


FIG. 5

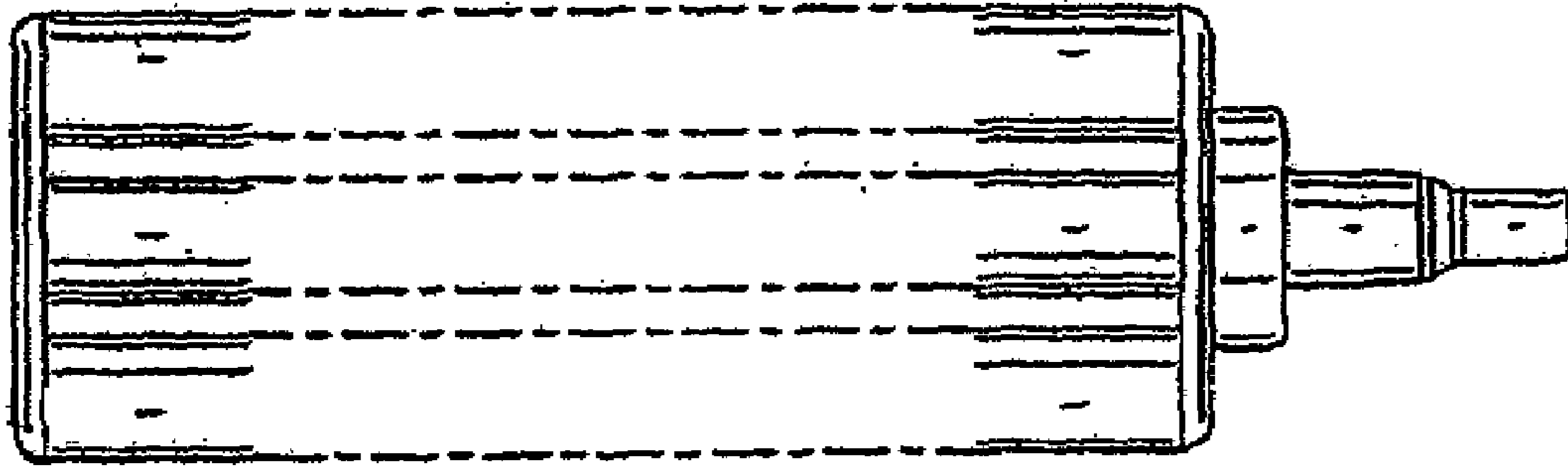


FIG. 6

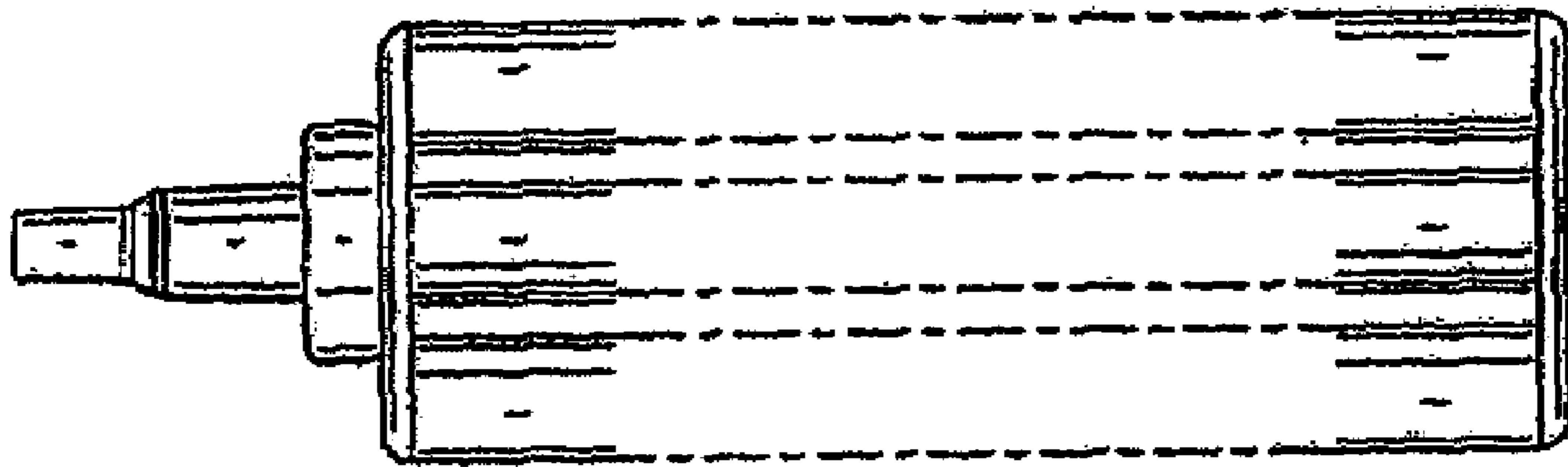


FIG. 7