



US00D598608S

(12) **United States Design Patent**  
**Baumer**

(10) **Patent No.:** **US D598,608 S**

(45) **Date of Patent:** **\*\* Aug. 18, 2009**

(54) **LIPSTICK CASE**

(75) Inventor: **Lorenz Baumer**, Paris (FR)

(73) Assignee: **Guerlain Societe Anonyme**, Paris (FR)

(\*\*) Term: **14 Years**

(21) Appl. No.: **29/330,135**

(22) Filed: **Dec. 30, 2008**

(30) **Foreign Application Priority Data**

Jul. 3, 2008 (EM) ..... 000963640-0001

(51) **LOC (9) Cl.** ..... **28-03**

(52) **U.S. Cl.** ..... **D28/77; D28/85**

(58) **Field of Classification Search** ..... D28/64.3,  
D28/73, 76-7, 85-907; 132/314, 317, 318,  
132/320; 206/385, 581, 823

See application file for complete search history.

(56) **References Cited**

**U.S. PATENT DOCUMENTS**

D229,119 S *	11/1973	Litton	.....	D28/76
D311,071 S *	10/1990	Vanoncini	.....	D28/77
D335,364 S *	5/1993	Yang	.....	D28/85
D354,374 S *	1/1995	Battaglia	.....	D28/77
D382,369 S *	8/1997	Yang	.....	D28/85
D391,681 S *	3/1998	Huang	.....	D28/85
D505,519 S *	5/2005	Korba	.....	D28/85

\* cited by examiner

*Primary Examiner*—Jennifer Rivard

(74) *Attorney, Agent, or Firm*—Stites & Harbison PLLC;  
Douglas E. Jackson

(57) **CLAIM**

The ornamental design for a lipstick case, as shown and described.

**DESCRIPTION**

FIG. 1 is top view of a lipstick case according to the present invention.

FIG. 2 is a bottom view thereof.

FIG. 3 is a right side view thereof.

FIG. 4 is a left side view thereof.

FIG. 5 is a rear view thereof.

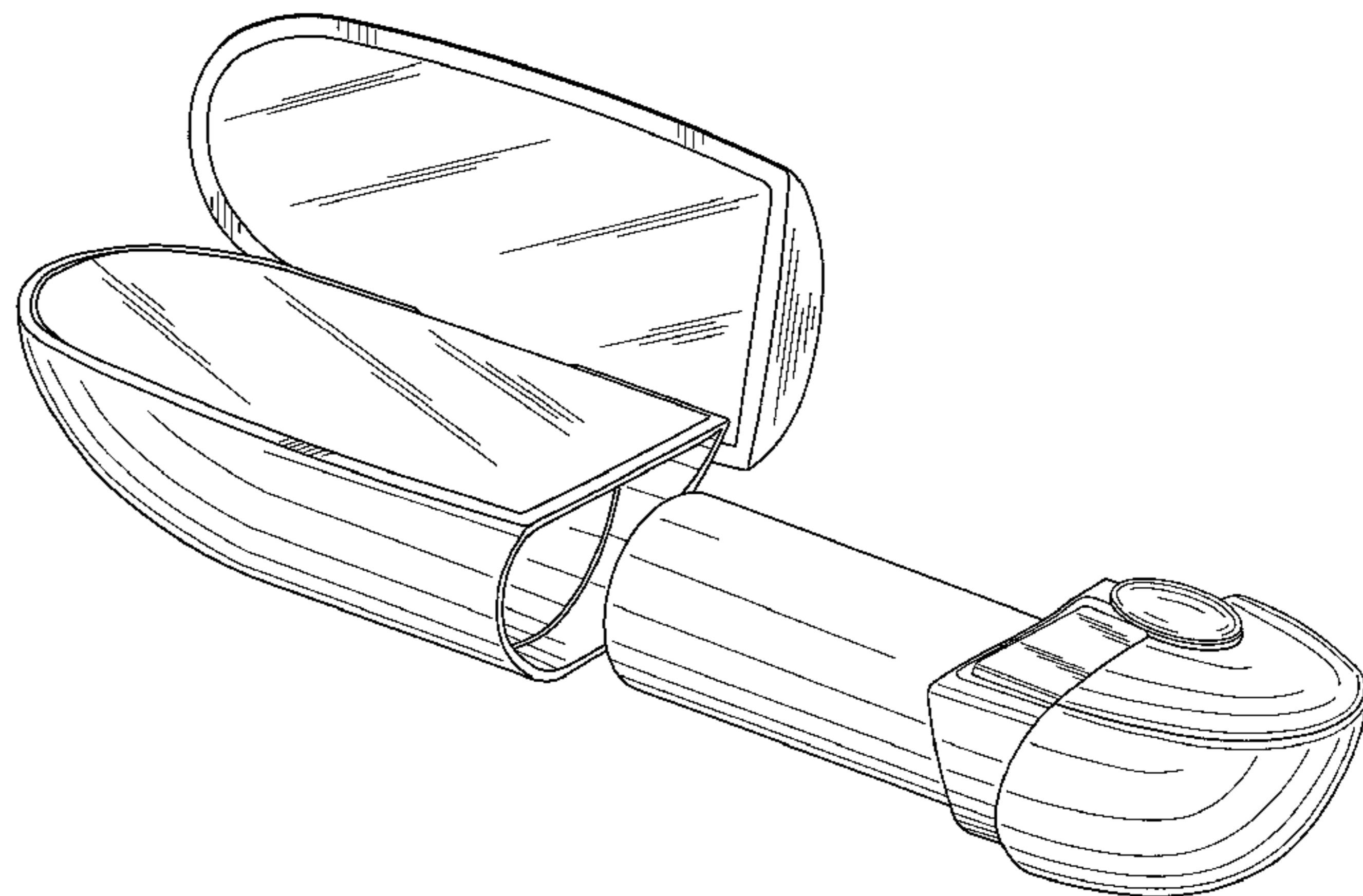
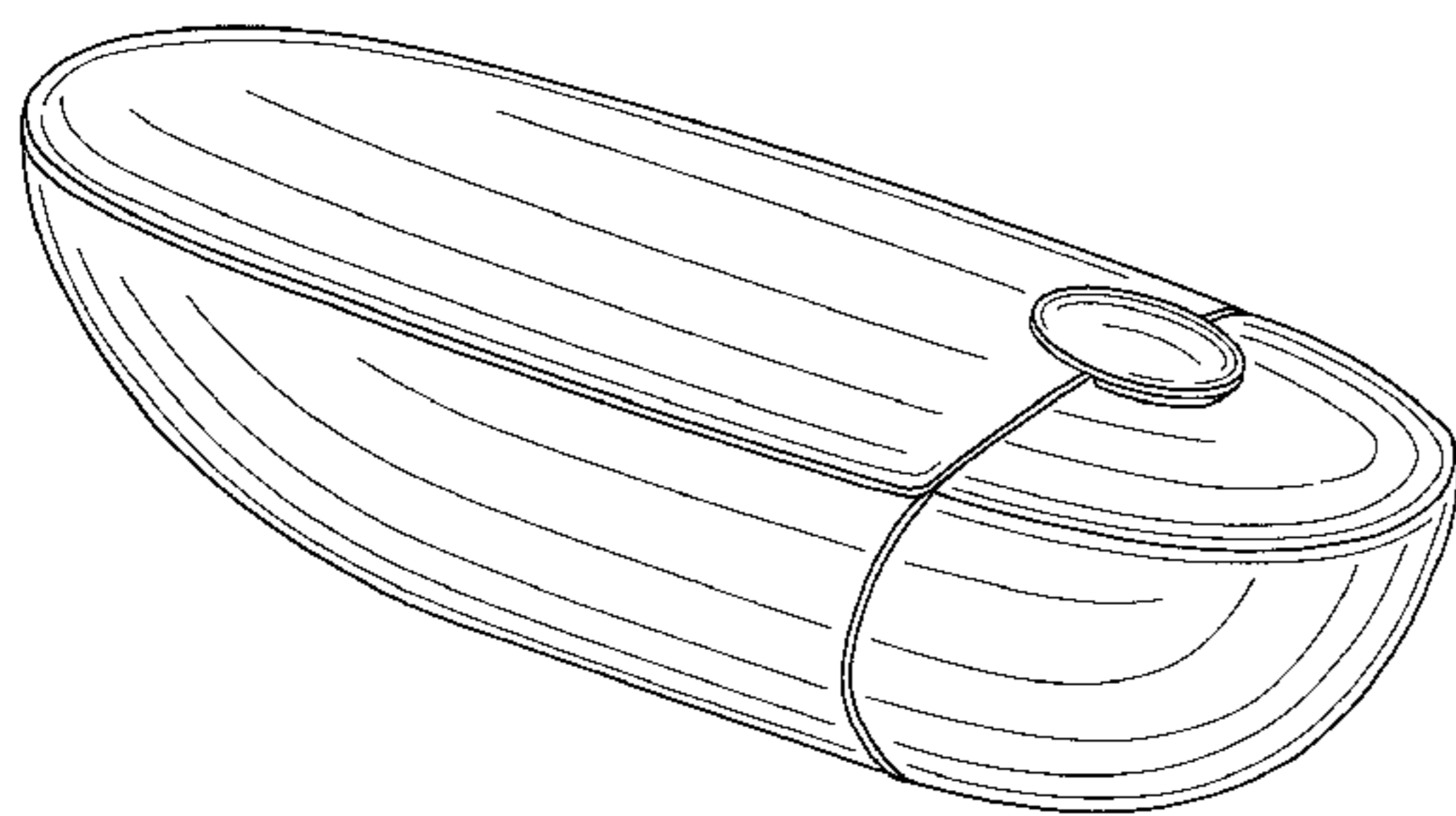
FIG. 6 is front view thereof.

FIG. 7 is a perspective top, front, and right side view thereof.

FIG. 8 is an exploded perspective top, front, and right side view thereof with the lipstick containing base removed from the cap; and,

FIG. 9 is an exploded perspective top, front, and right side view thereof with the lipstick containing base removed from the cap and with the hinged mirror in the viewing position.

**1 Claim, 3 Drawing Sheets**



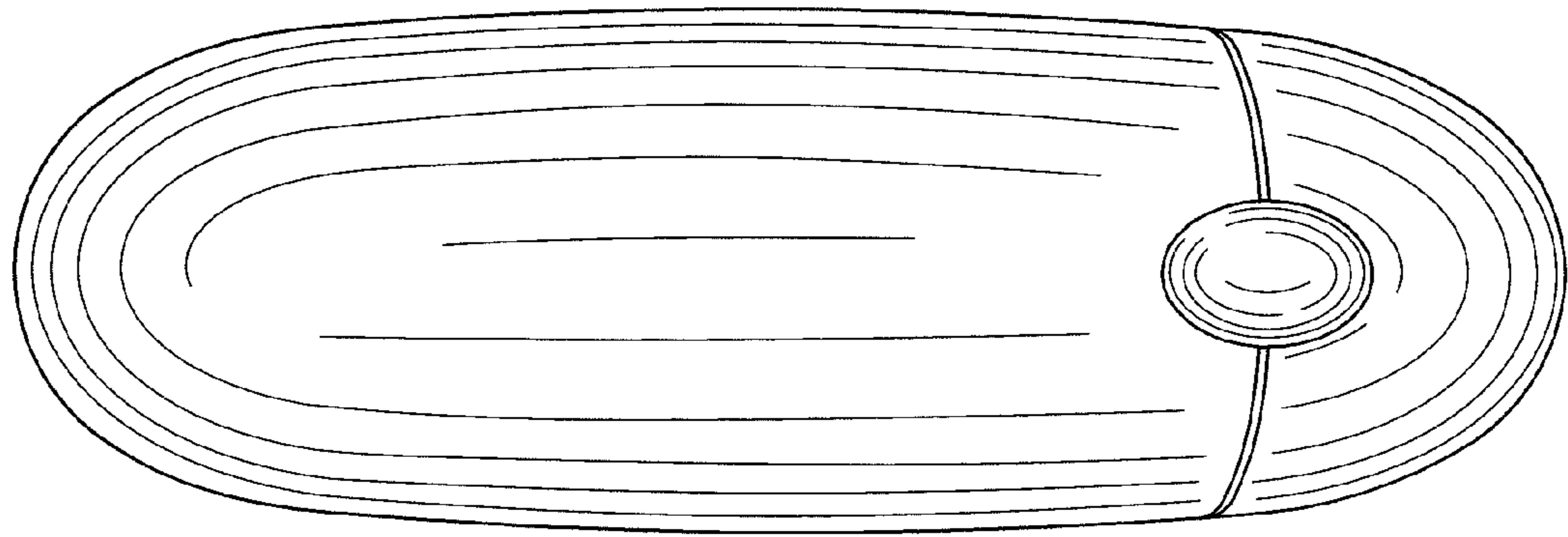


Fig. 1

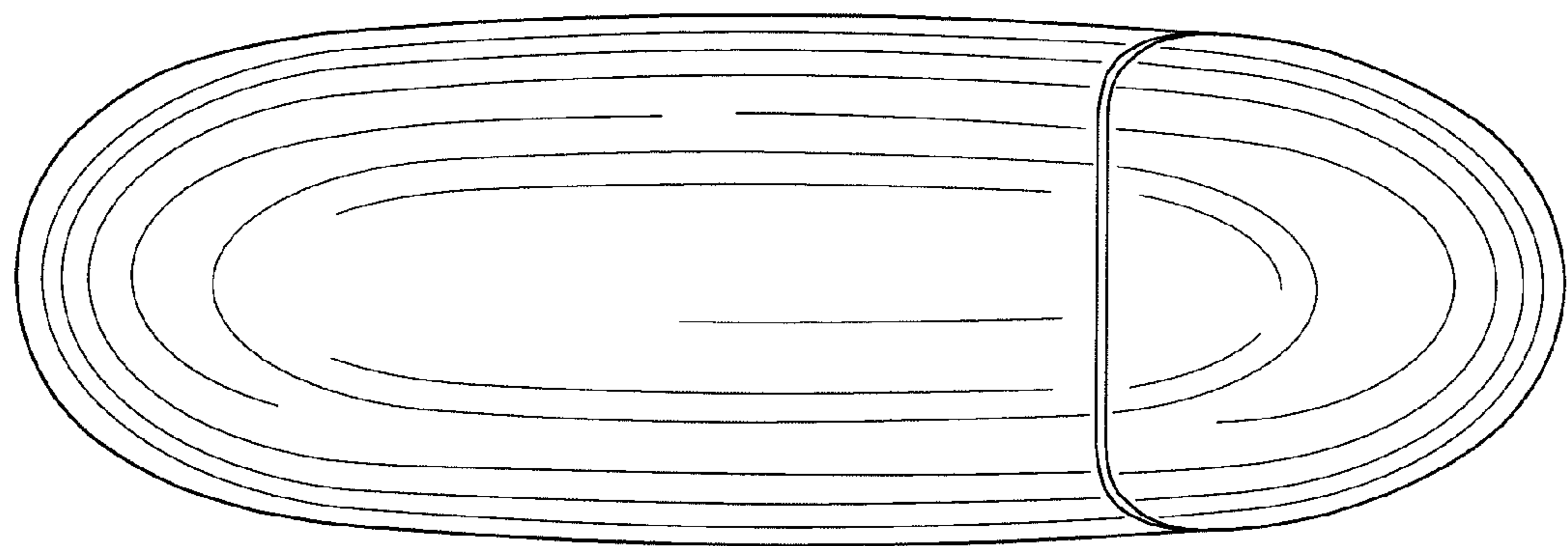


Fig. 2

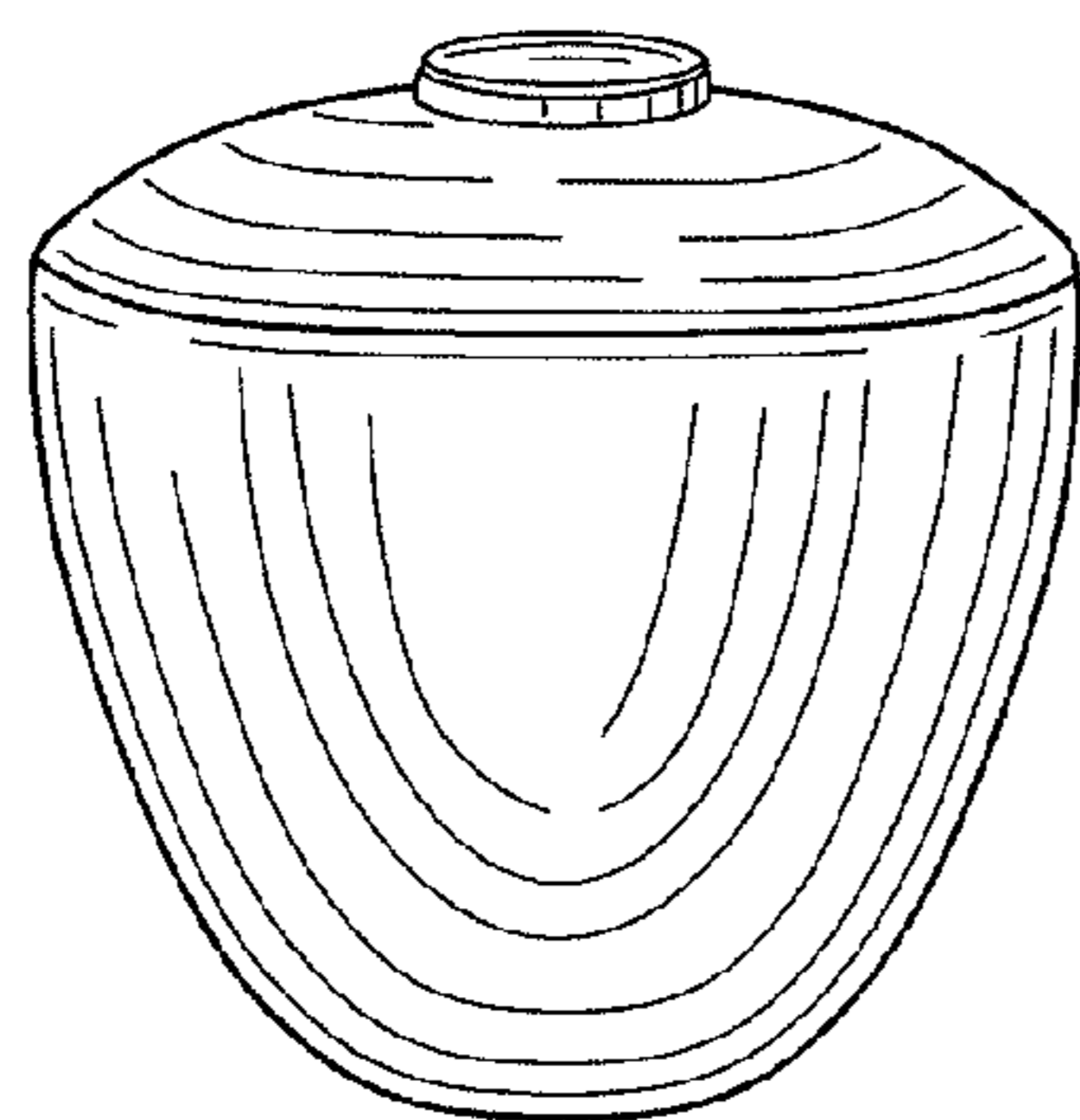


Fig. 3

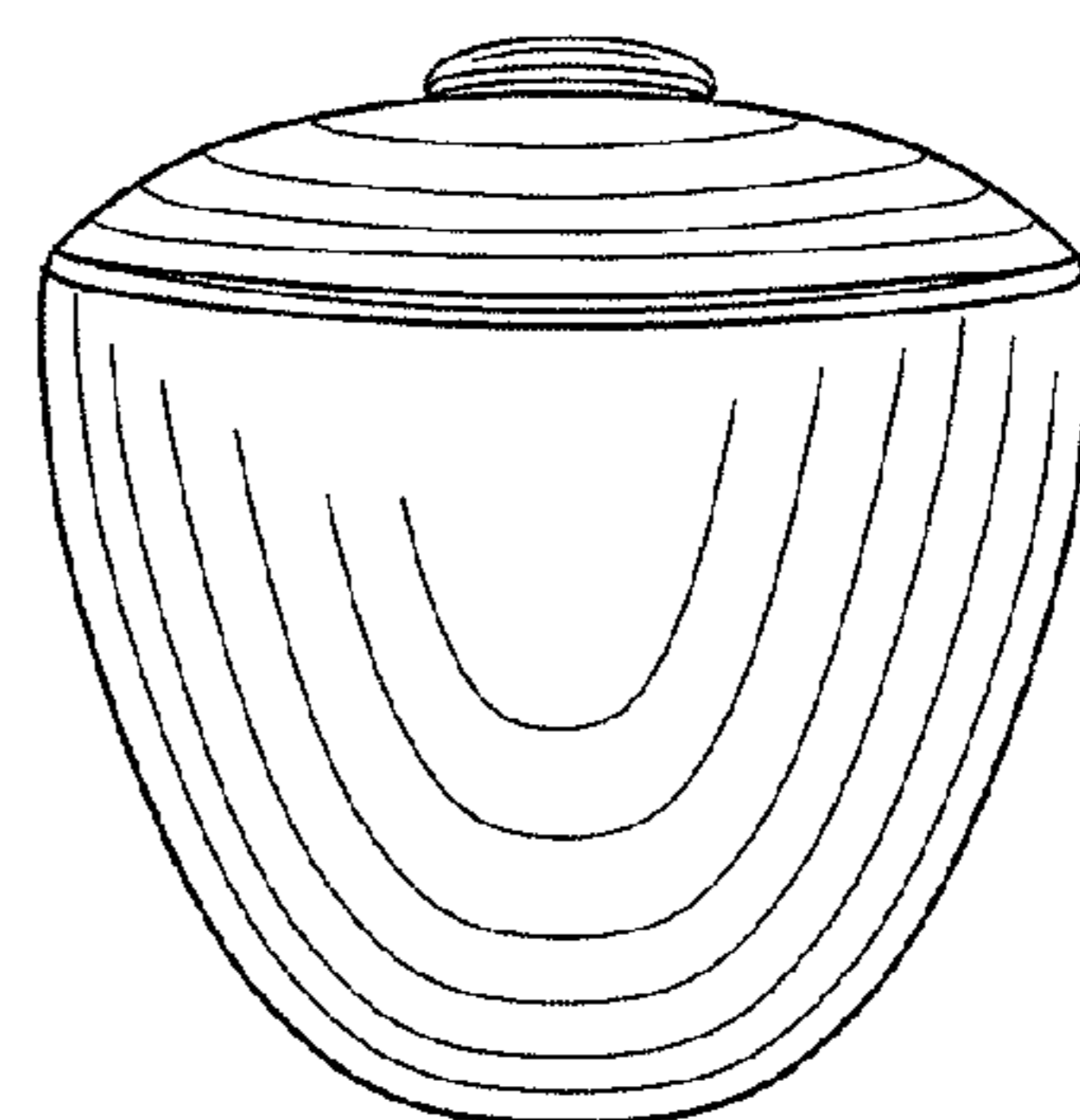


Fig. 4

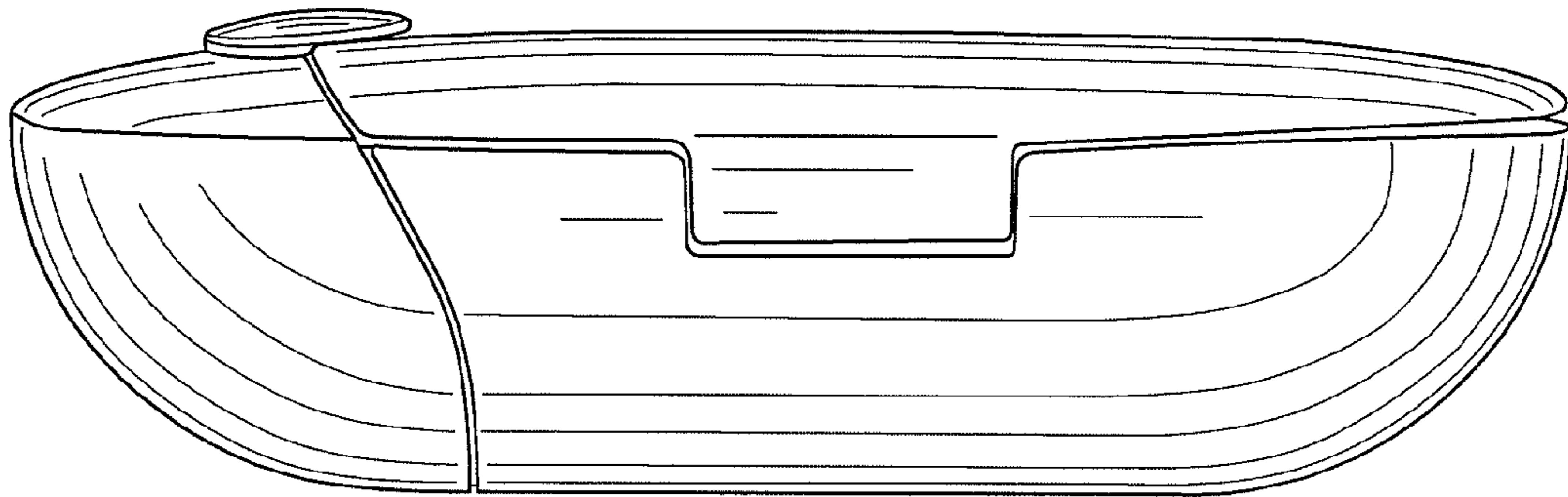


Fig. 5

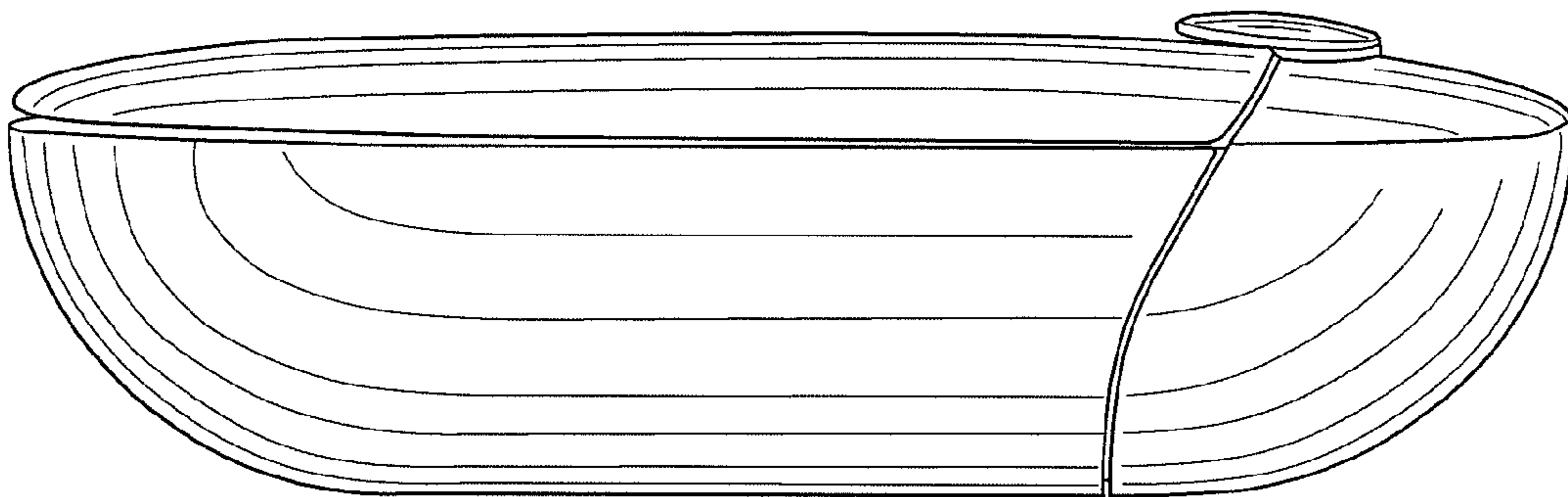


Fig. 6

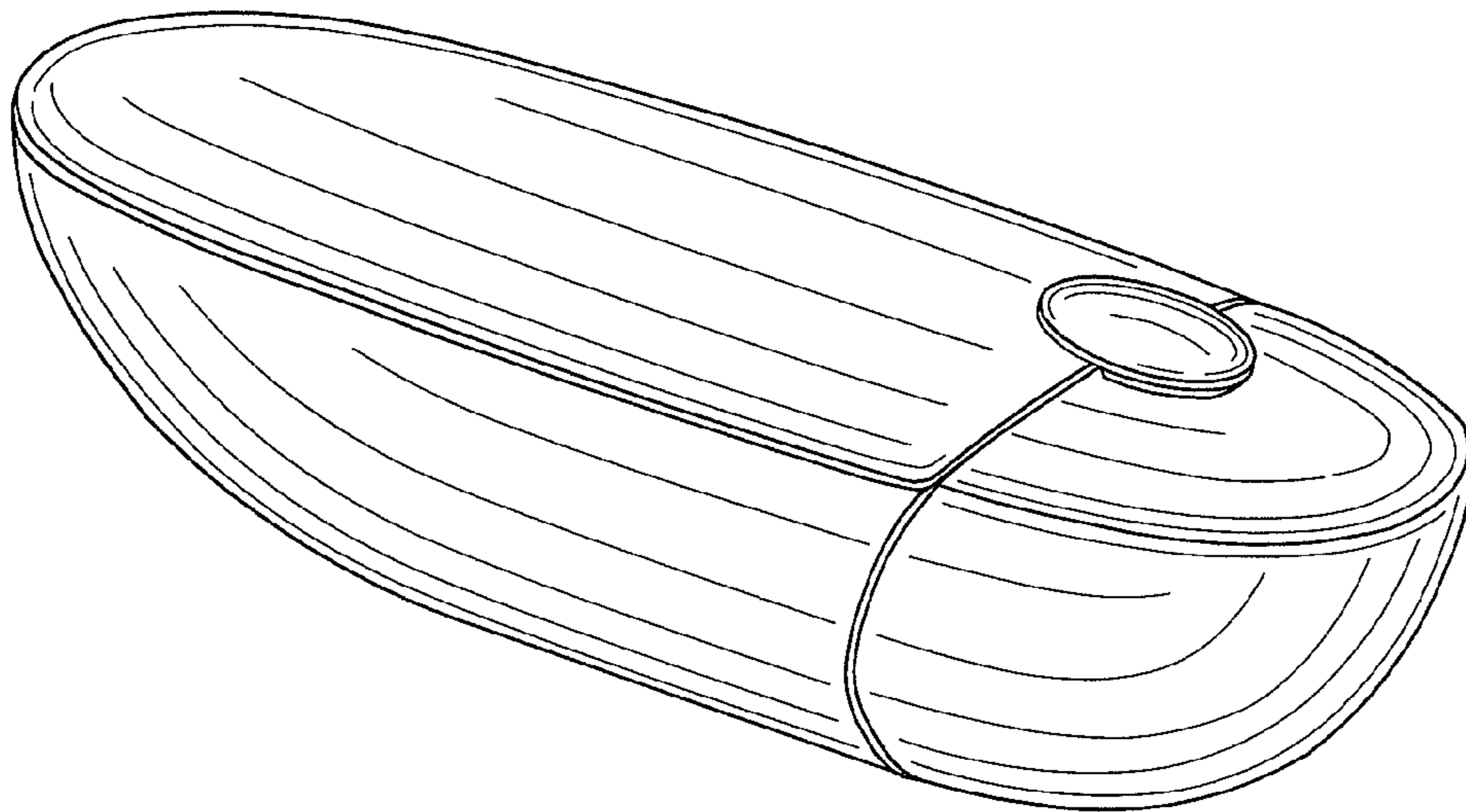


Fig. 7

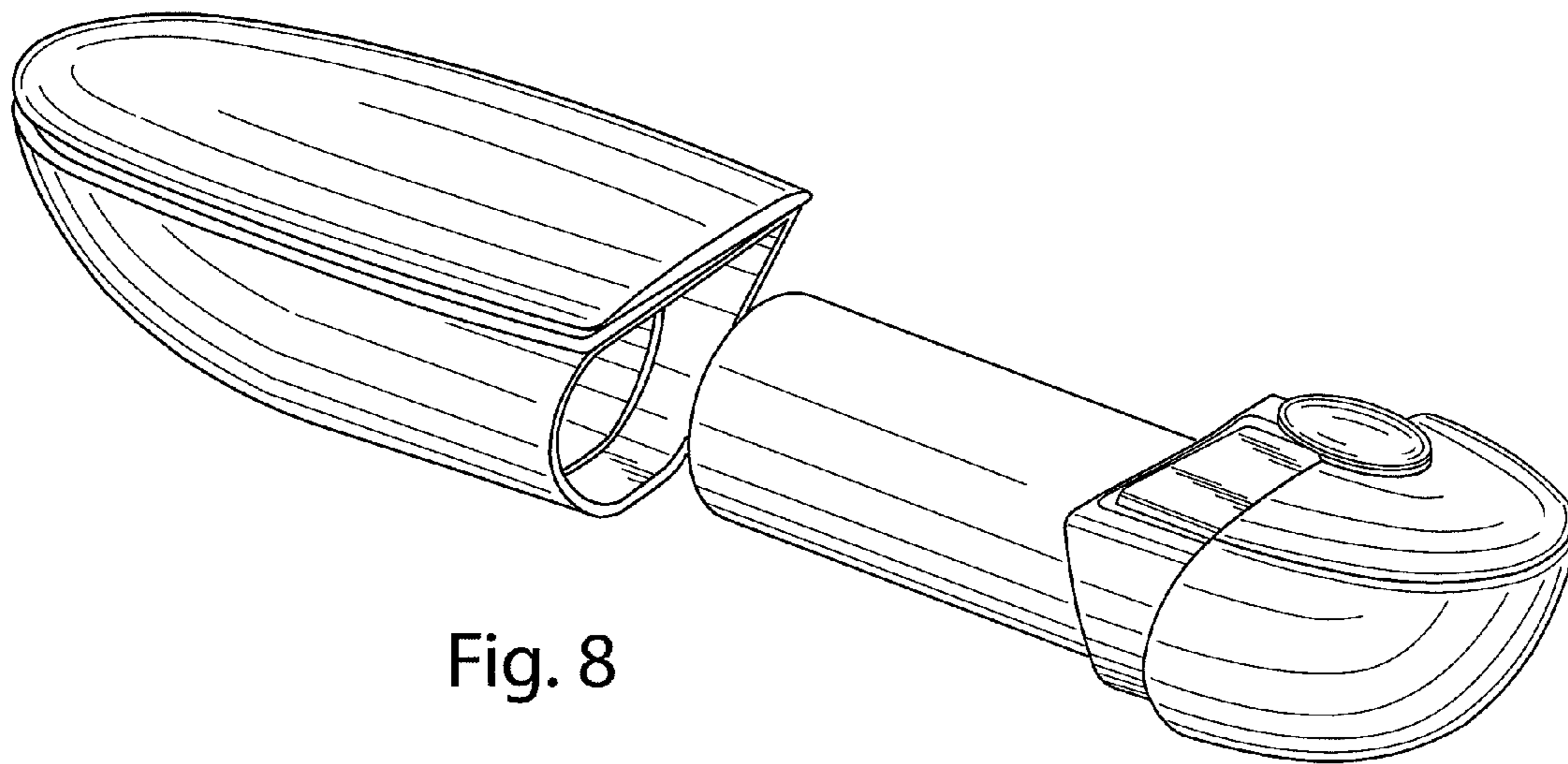


Fig. 8

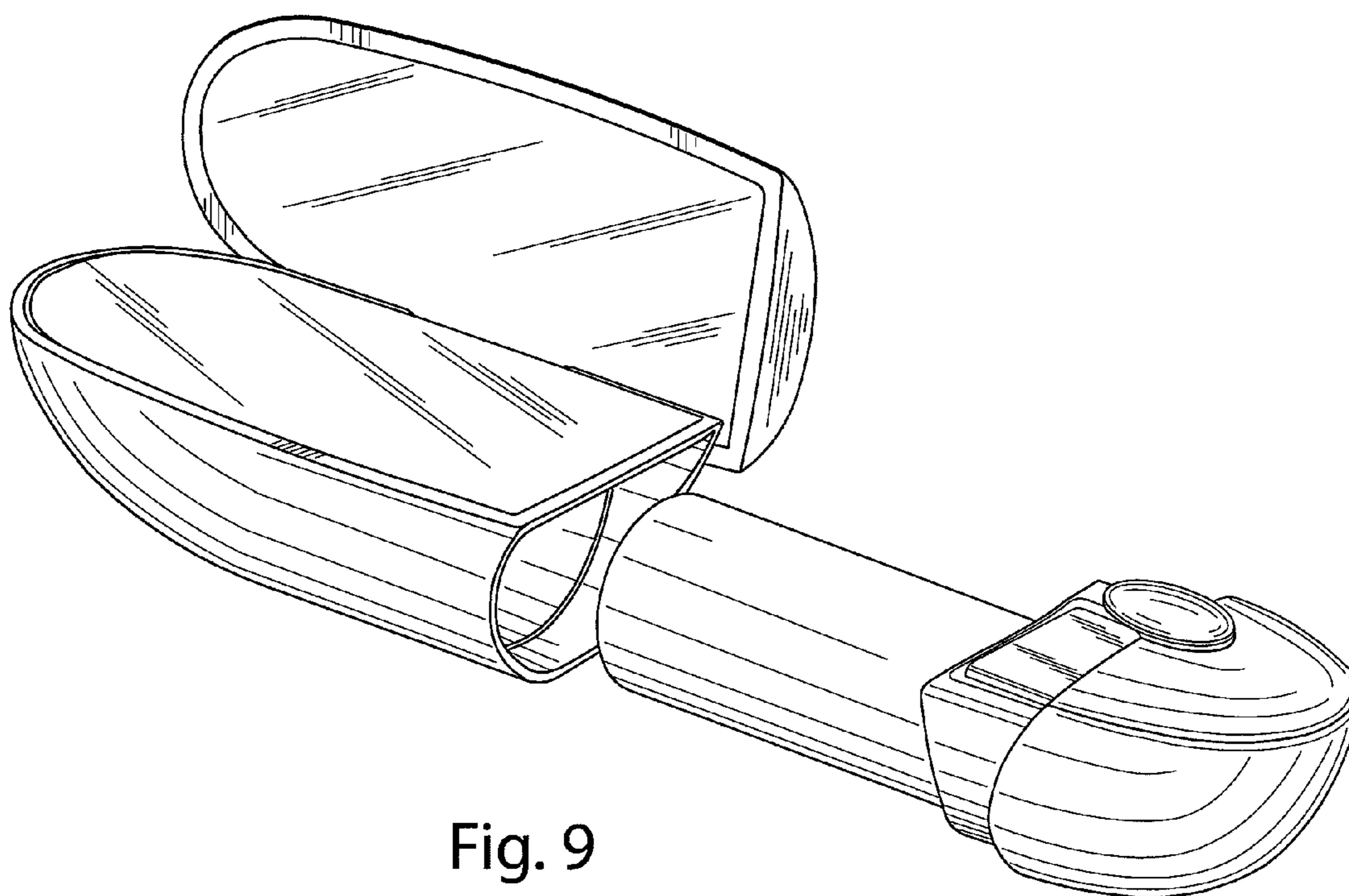


Fig. 9