



US00D598605S

(12) **United States Design Patent**
Hodges

(10) **Patent No.:** **US D598,605 S**

(45) **Date of Patent:** **** Aug. 18, 2009**

(54) **CIGAR DRILL**

(76) Inventor: **Kenneth A. Hodges**, 511 E. Parkway
Dr., Russellville, AR (US) 72801

(**) Term: **14 Years**

(21) Appl. No.: **29/308,766**

(22) Filed: **Jul. 3, 2008**

(51) **LOC (9) Cl.** **27-06**

(52) **U.S. Cl.** **D27/195; D8/47**

(58) **Field of Classification Search** 30/109-113;
D27/195; 131/248-255; D8/47, 46, 91;
D19/43, 48, 51

See application file for complete search history.

(56) **References Cited**

U.S. PATENT DOCUMENTS

297,396 A	4/1884	Hickisson et al.	
925,158 A	6/1909	Cragg	
1,628,570 A	5/1927	Anderson	
D283,451 S *	4/1986	Kolpin	D27/195
4,733,674 A	3/1988	Sielck et al.	
D371,302 S *	7/1996	Spirer	D8/47
D415,524 S *	10/1999	Waldinger	D19/43

D417,525 S *	12/1999	Brushett	D27/195
6,032,679 A *	3/2000	McGlauffin	131/255
6,070,593 A *	6/2000	Chase	131/328
D431,262 S *	9/2000	Izushima	D19/48
6,119,349 A *	9/2000	Chuan	30/111
D504,151 S *	4/2005	Furlong	D19/43
2003/0056800 A1	3/2003	Lin	
2005/0257797 A1 *	11/2005	Taylor	131/248

* cited by examiner

Primary Examiner—Jennifer Rivard

(74) *Attorney, Agent, or Firm*—Mark Murphy Henrey

(57) **CLAIM**

The ornamental design for a cigar drill, as shown and described.

DESCRIPTION

FIG. 1 is a perspective view of the cigar drill.

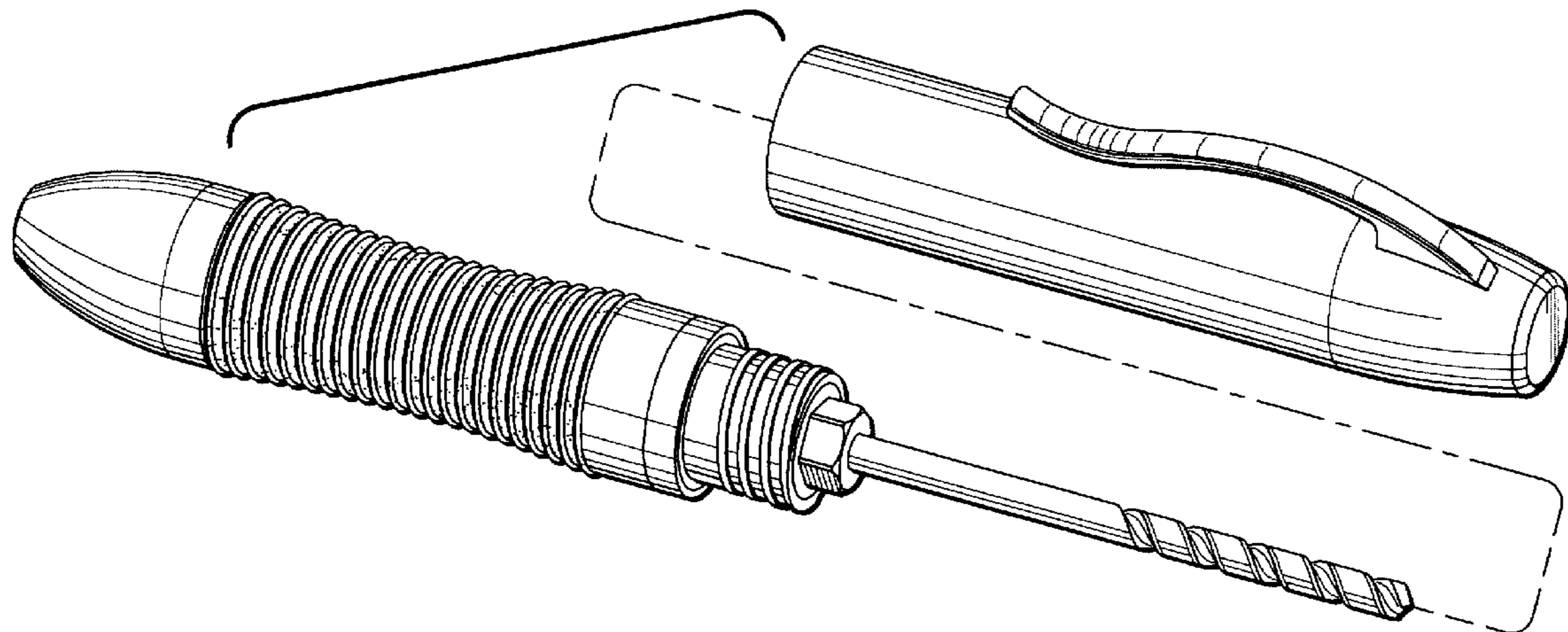
FIG. 2 is a side view of the cigar drill.

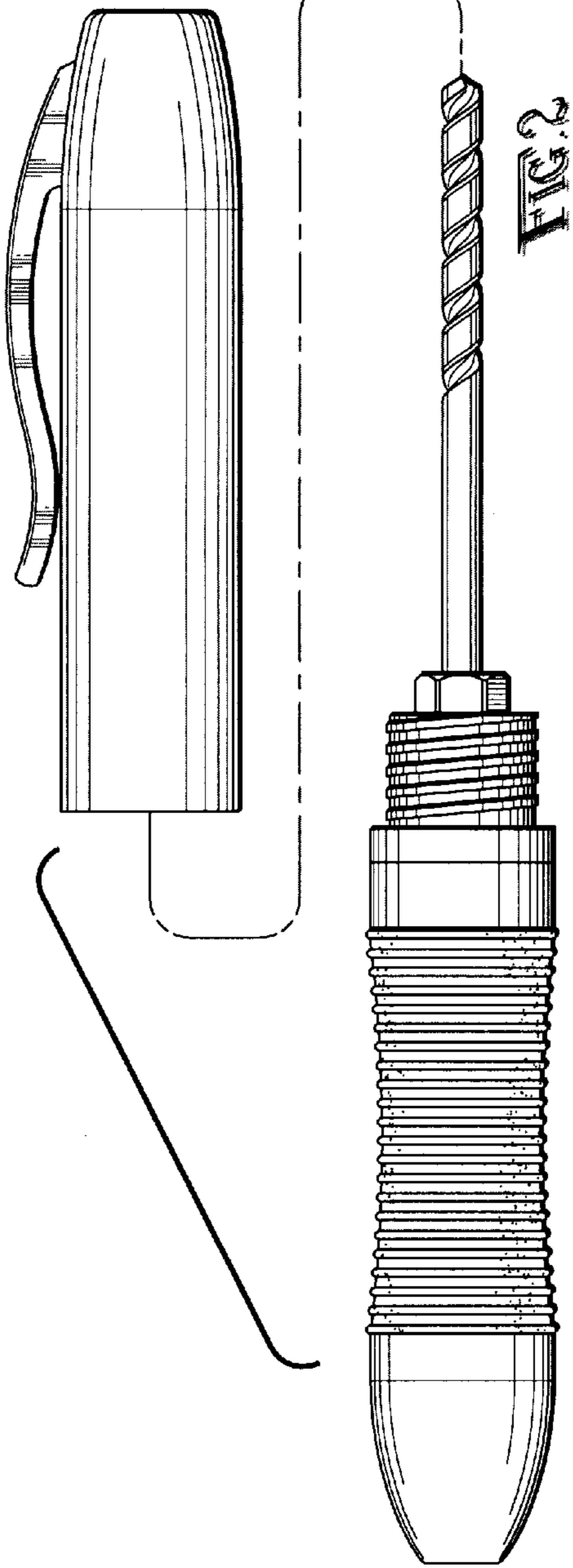
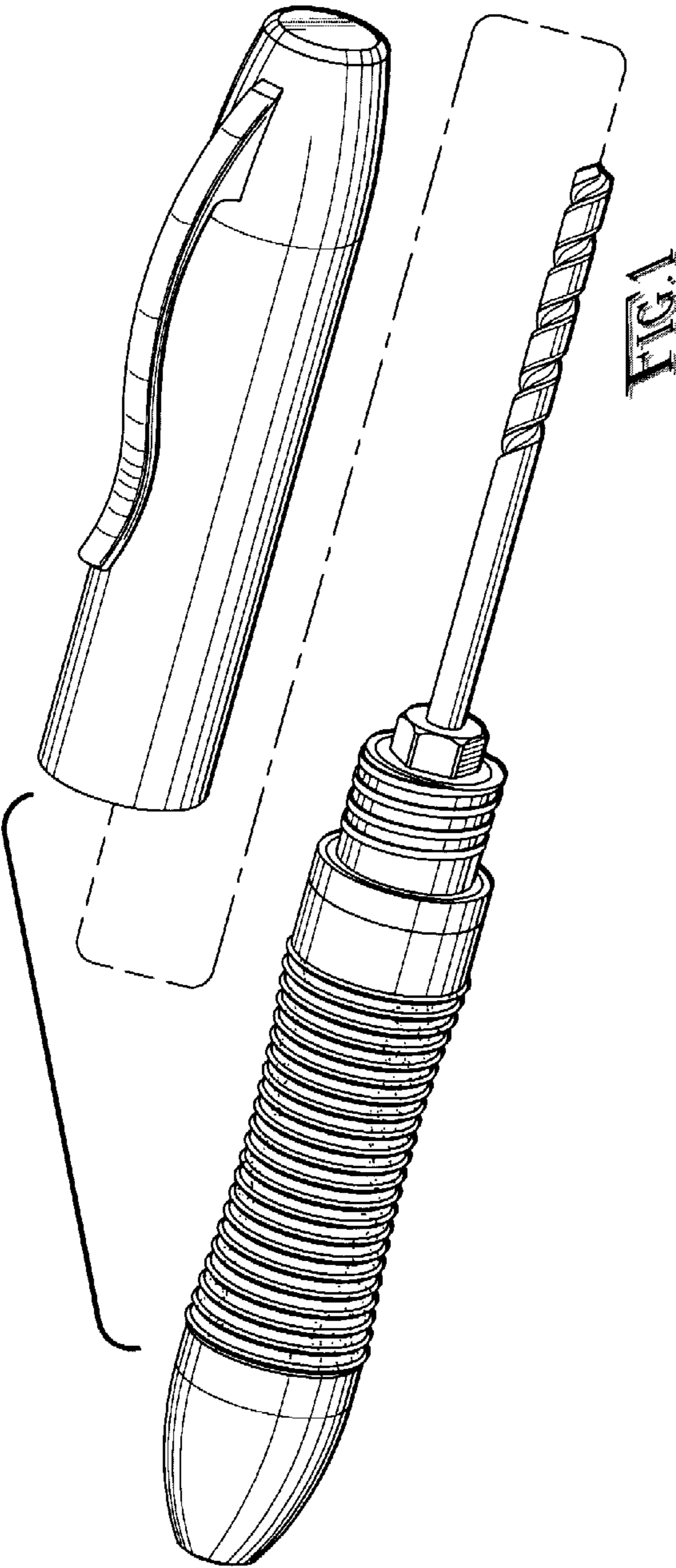
FIG. 3 is a front view of the cigar drill.

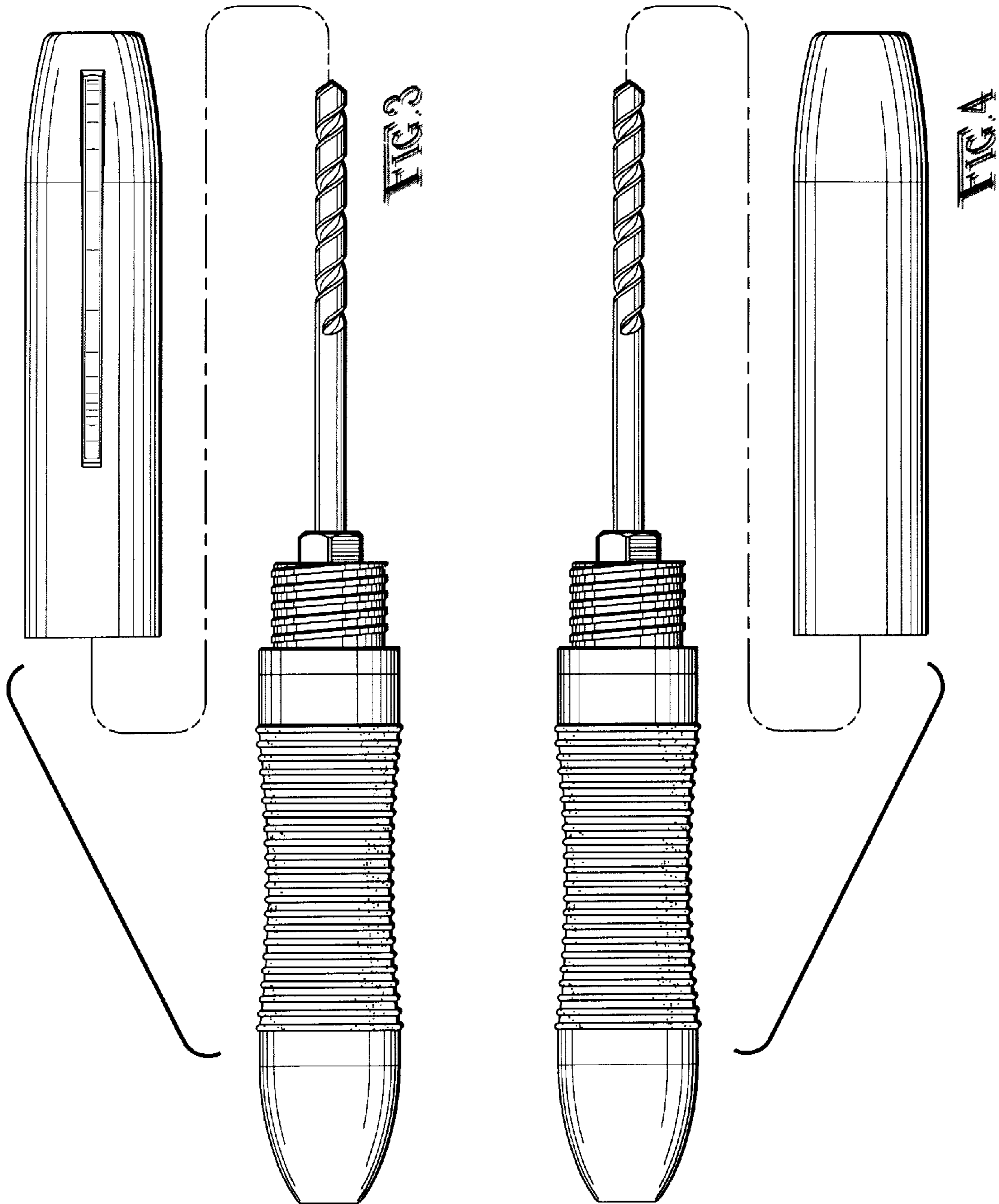
FIG. 4 is a back view of the cigar drill; and,

FIG. 5 is a top view of the cigar drill.

1 Claim, 3 Drawing Sheets







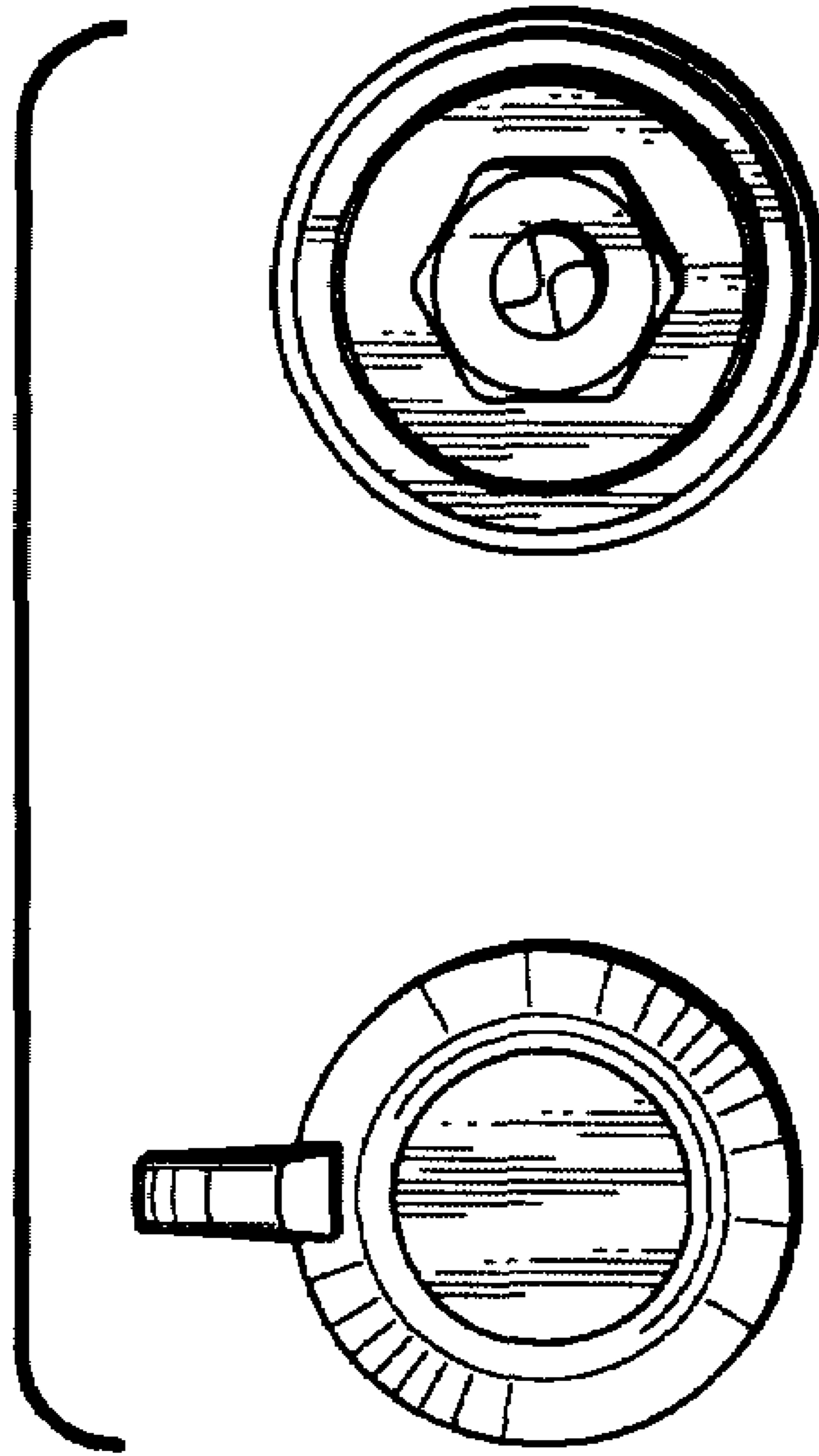


FIG. 3