



US00D598602S

(12) **United States Design Patent**
Laarman

(10) **Patent No.:** **US D598,602 S**

(45) **Date of Patent:** **** *Aug. 18, 2009**

(54) **CHANDELIER**

(75) Inventor: **Joris Laarman**, Er Utrecht (NL)

(73) Assignee: **FLOS SpA**, Bovezzo-BS (IT)

(*) Notice: This patent is subject to a terminal disclaimer.

(**) Term: **14 Years**

(21) Appl. No.: **29/283,631**

(22) Filed: **Aug. 20, 2007**

(30) **Foreign Application Priority Data**

Feb. 28, 2007 (EP) 000678644-0001

(51) **LOC (9) Cl.** **26-03**

(52) **U.S. Cl.** **D26/84; D26/86**

(58) **Field of Classification Search** D26/72,
D26/80-92, 142-144; 362/147, 404-408,
362/806, 811

See application file for complete search history.

(56) **References Cited**

U.S. PATENT DOCUMENTS

653,577 A * 7/1900 La Bier 219/535
D37,410 S * 4/1905 O'Bryan D26/84
D39,286 S * 4/1908 Thomas D26/84
D165,785 S * 1/1952 Pollard, Jr. D26/63

D233,467 S * 10/1974 Coney D26/88
D237,001 S * 9/1975 Von Serda D26/137
D239,460 S * 4/1976 Schacht D26/84
D293,723 S * 1/1988 Buttner D26/129
D386,279 S * 11/1997 Edwards D26/80

OTHER PUBLICATIONS

Trunna lighting chain/chandelier shown as Item #13 on p. 305 of the 2005 Ikea Catalog.*

* cited by examiner

Primary Examiner—Clare E Heflin

(74) *Attorney, Agent, or Firm*—McGlew & Tuttle, P.C.

(57) **CLAIM**

The ornamental design for a chandelier, as shown and described.

DESCRIPTION

FIG. 1 is a perspective view from above of my new chandelier design;

FIG. 2 is a right side elevation view thereof;

FIG. 3 is a rear elevation view thereof;

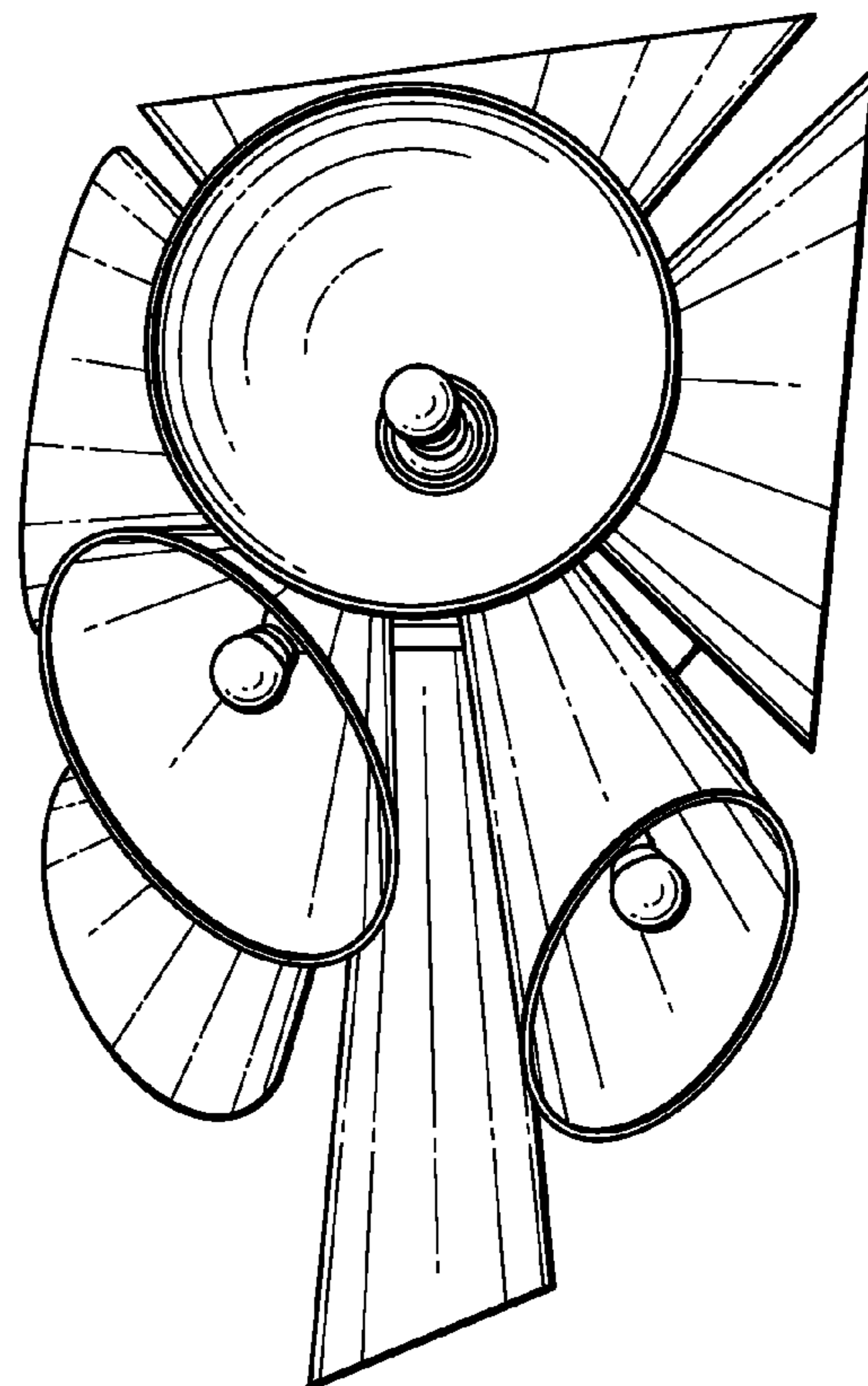
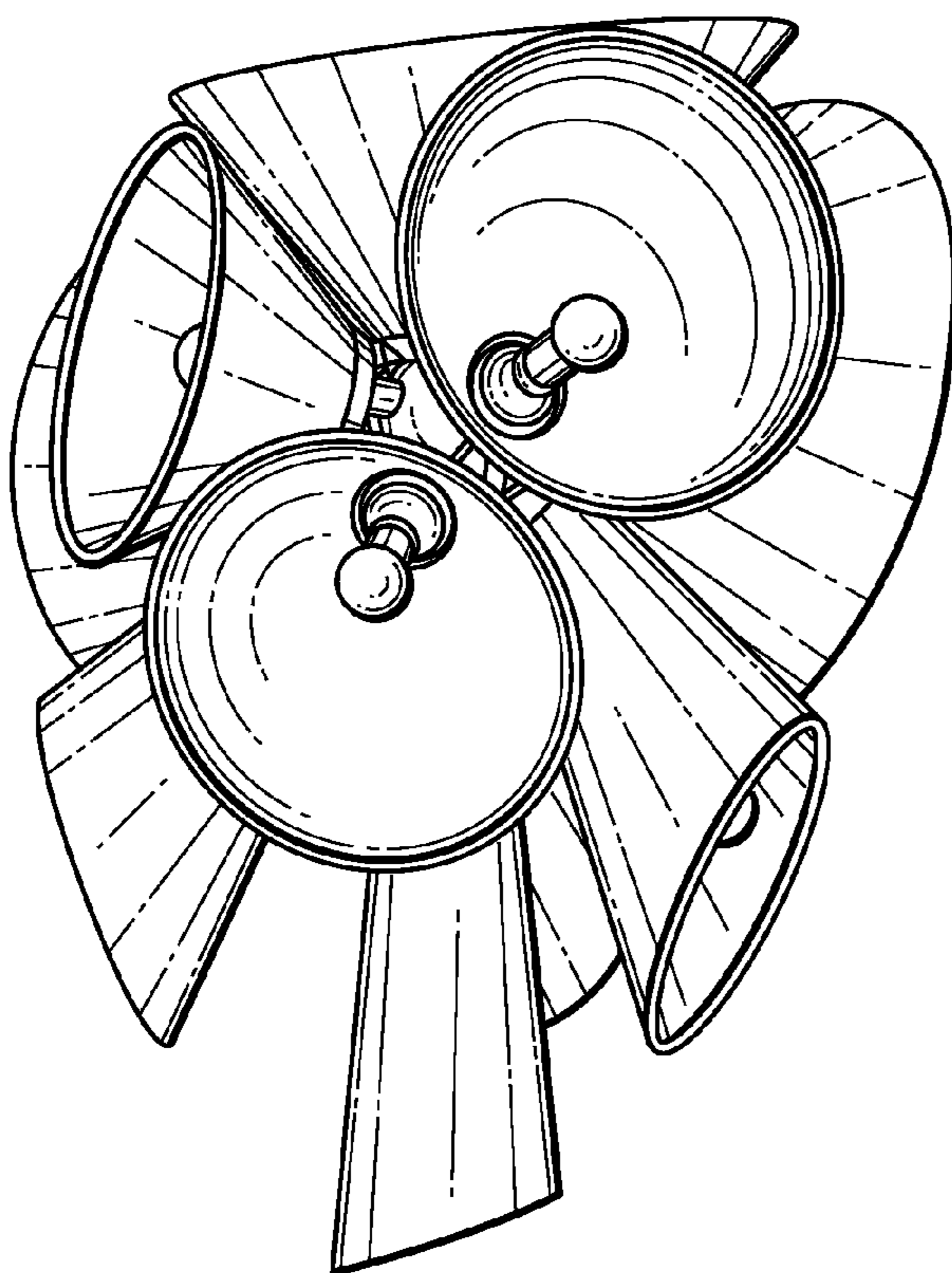
FIG. 4 is a top plan view thereof;

FIG. 5 is a bottom plan view thereof;

FIG. 6 is a front elevation view thereof; and,

FIG. 7 is a left side elevation view thereof.

1 Claim, 3 Drawing Sheets



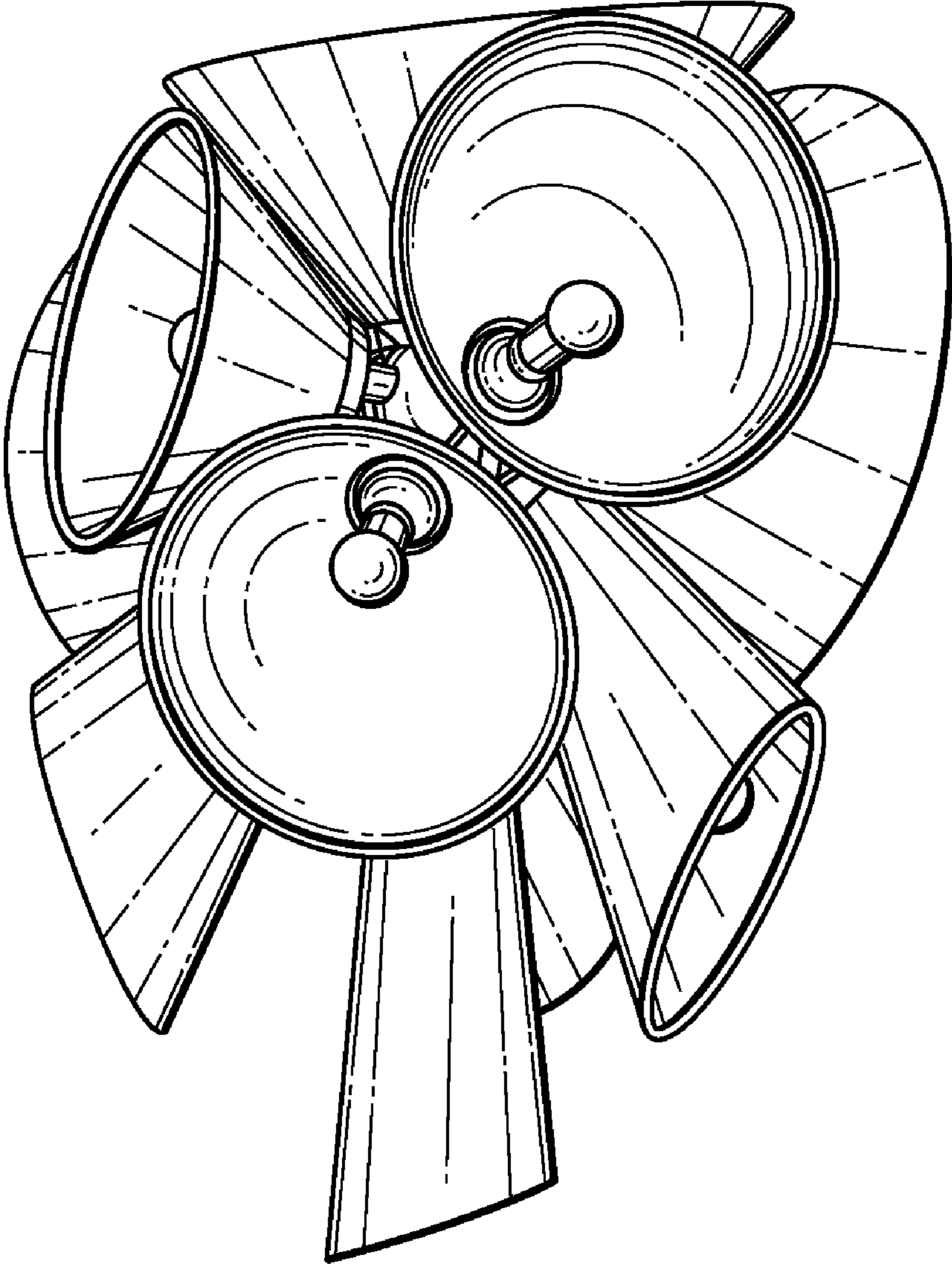


FIG. 1

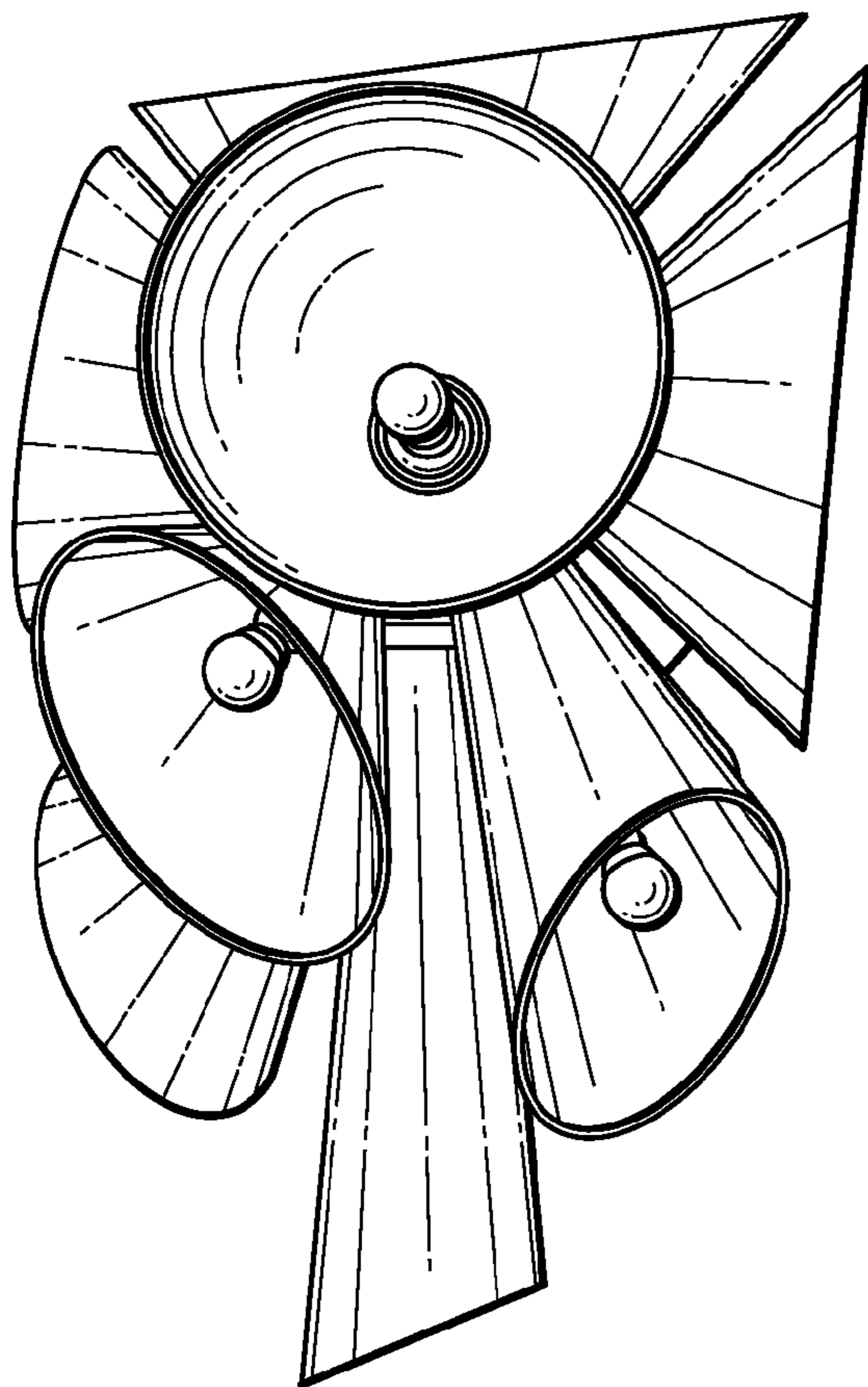


FIG. 2

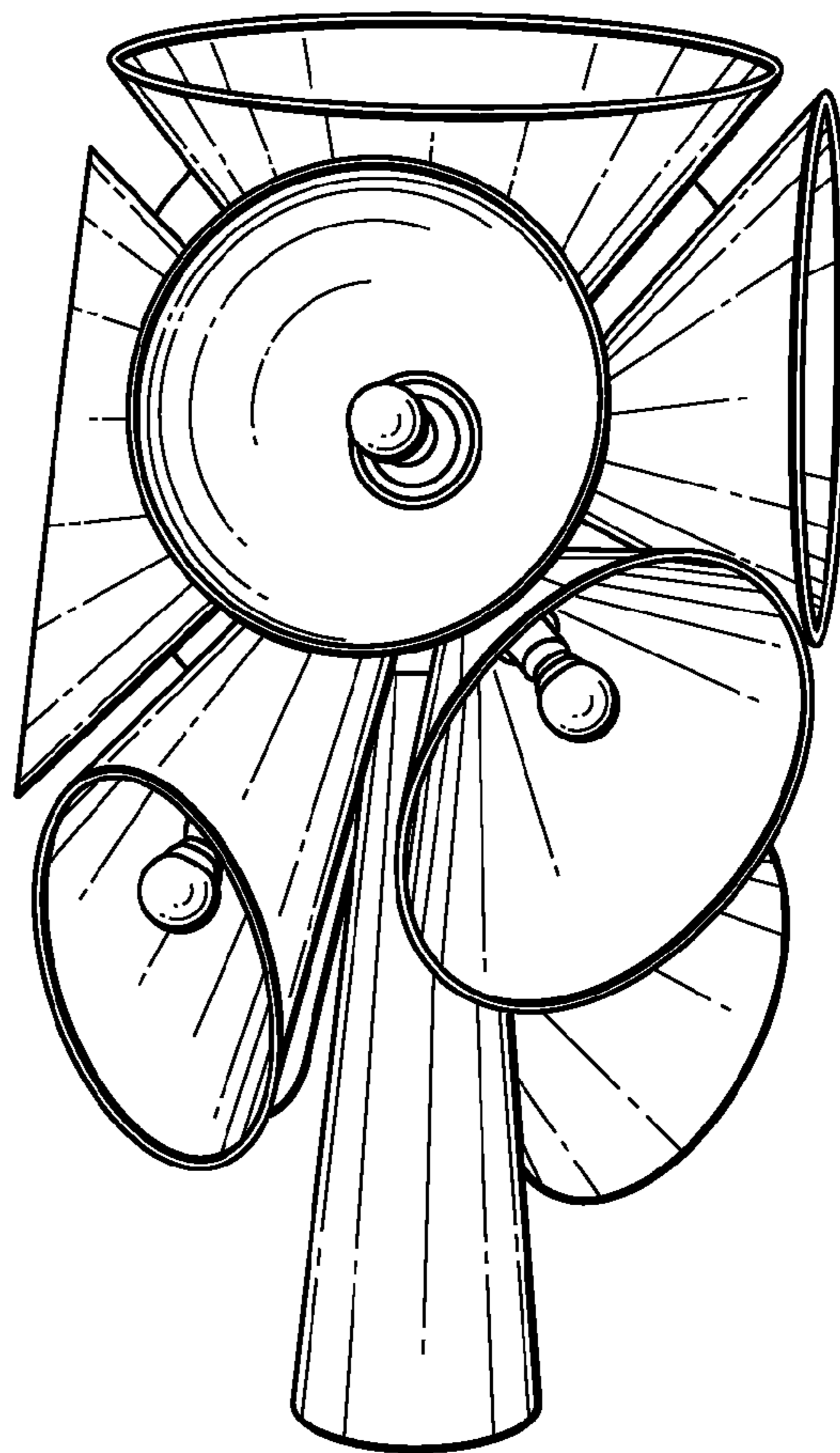


FIG. 3

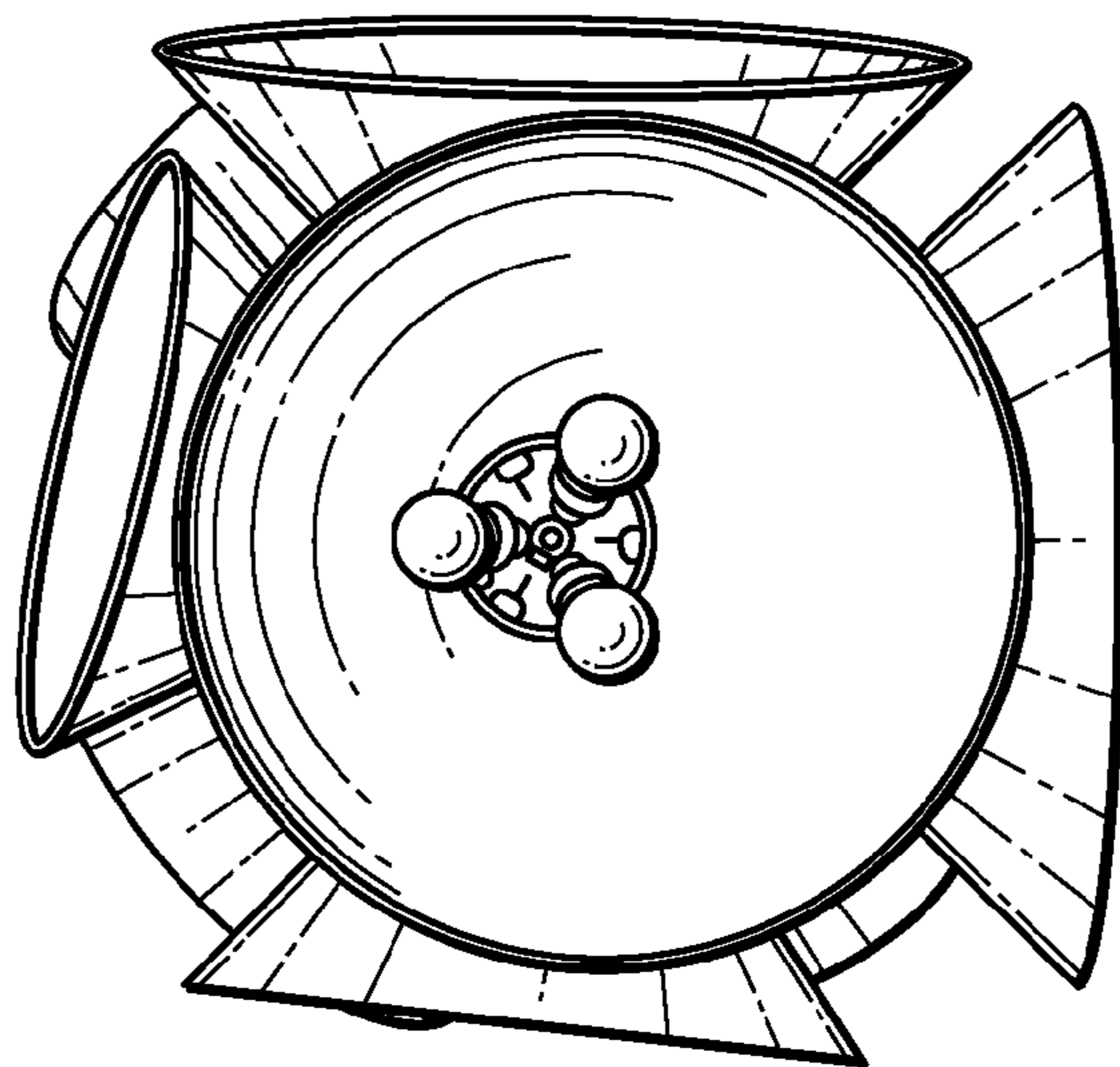


FIG. 4

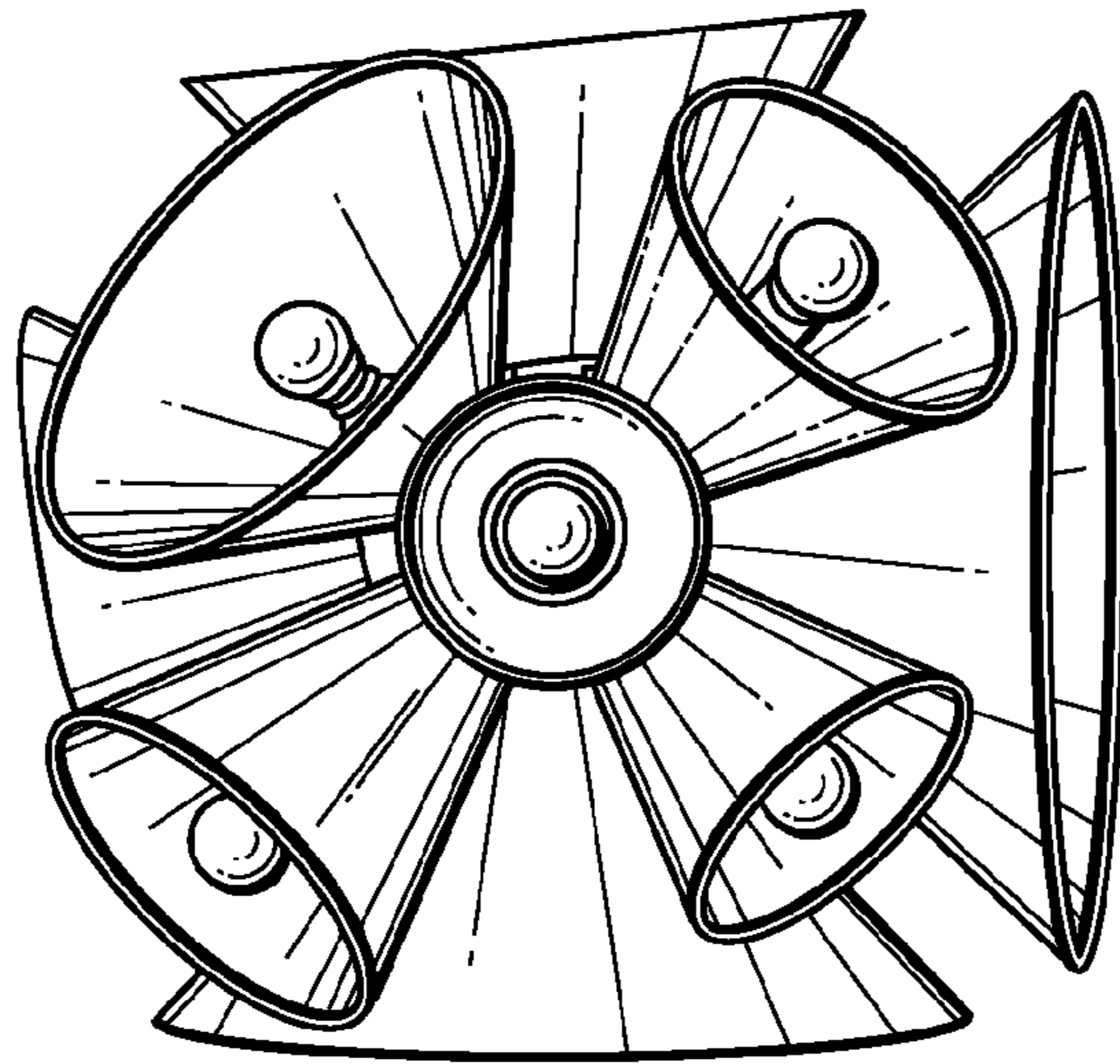


FIG. 5

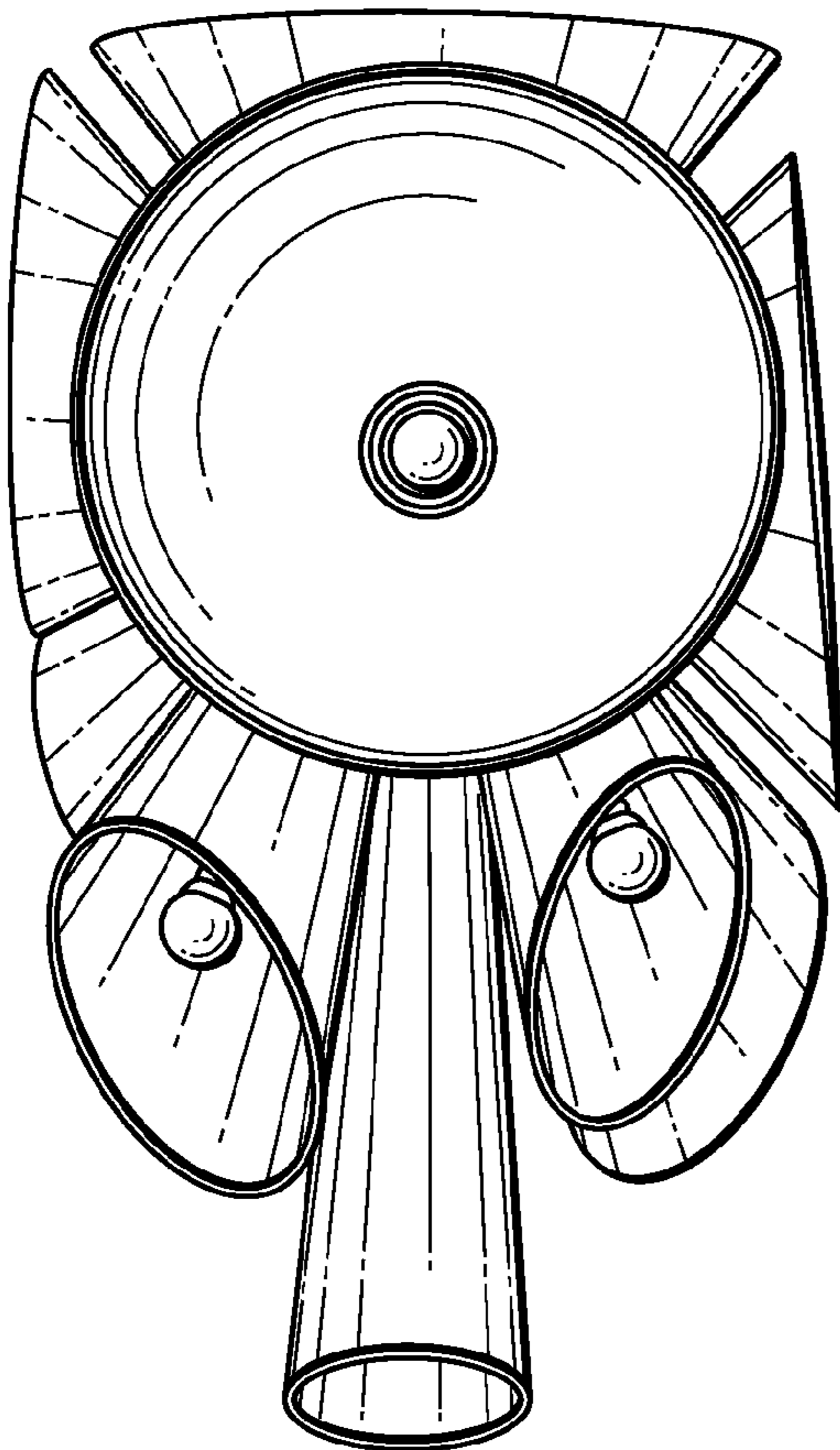


FIG. 6

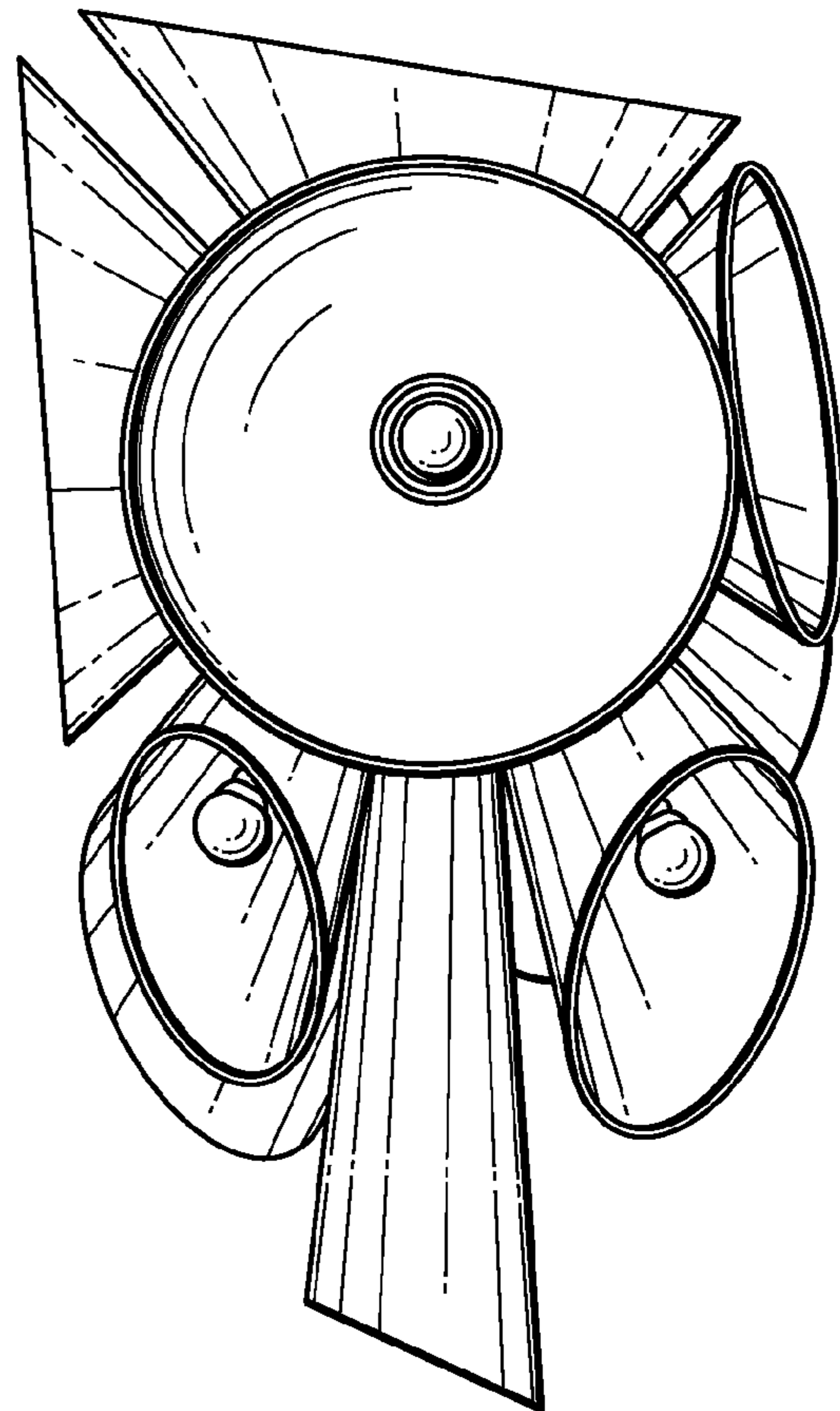


FIG. 7