



US00D598598S

(12) **United States Design Patent**
Zhou et al.

(10) **Patent No.:** **US D598,598 S**

(45) **Date of Patent:** **** Aug. 18, 2009**

(54) **SOLAR LED LAMP**

2008/0174456 A1* 7/2008 Warren 340/994
2009/0040750 A1* 2/2009 Myer 362/183

(75) Inventors: **Qin-Fei Zhou**, Shenzhen (CN);
Yong-Dong Chen, Shenzhen (CN);
Shih-Hsun Wung, Taipei Hsien (TW)

OTHER PUBLICATIONS

“Aurora” Streetlight Collection found at www.sketchup.google.com on Mar. 25, 2009.*

Self Contained Dusk to Dawn Solar Powered Lights #7-12 and #14-19 from www.raytechstore.com © 2008.*

“Seagull” solar and wind-powered street light in Tokyo; submitted to website www.realneo.us Jan. 31, 2008.*

(73) Assignee: **Foxconn Technology Co., Ltd.**,
Tu-Cheng, Taipei Hsien (TW)

(**) Term: **14 Years**

* cited by examiner

(21) Appl. No.: **29/329,779**

Primary Examiner—Clare E Heflin

(22) Filed: **Dec. 22, 2008**

(74) *Attorney, Agent, or Firm*—Frank R. Niranjana

(51) **LOC (9) Cl.** **26-05**

(57) **CLAIM**

(52) **U.S. Cl.** **D26/68**; D26/71

The ornamental design for a solar LED lamp, as shown.

(58) **Field of Classification Search** D26/67–72,
D26/85; 362/183, 431, 152–153.1

See application file for complete search history.

DESCRIPTION

(56) **References Cited**

FIG. 1 is a perspective view of a solar LED lamp showing our new design.

U.S. PATENT DOCUMENTS

FIG. 2 is a front elevational view thereof.

D195,310 S * 5/1963 Zagel D26/70

FIG. 3 is a rear elevational view thereof.

D207,551 S * 5/1967 Spaulding D26/71

FIG. 4 is a left-side, elevational view thereof.

4,200,904 A * 4/1980 Doan 362/183

FIG. 5 is a right-side, elevational view thereof.

4,281,369 A * 7/1981 Batte 362/183

FIG. 6 is a top plan view thereof; and,

5,595,440 A * 1/1997 Gordin et al. 362/247

FIG. 7 is a bottom plan view thereof.

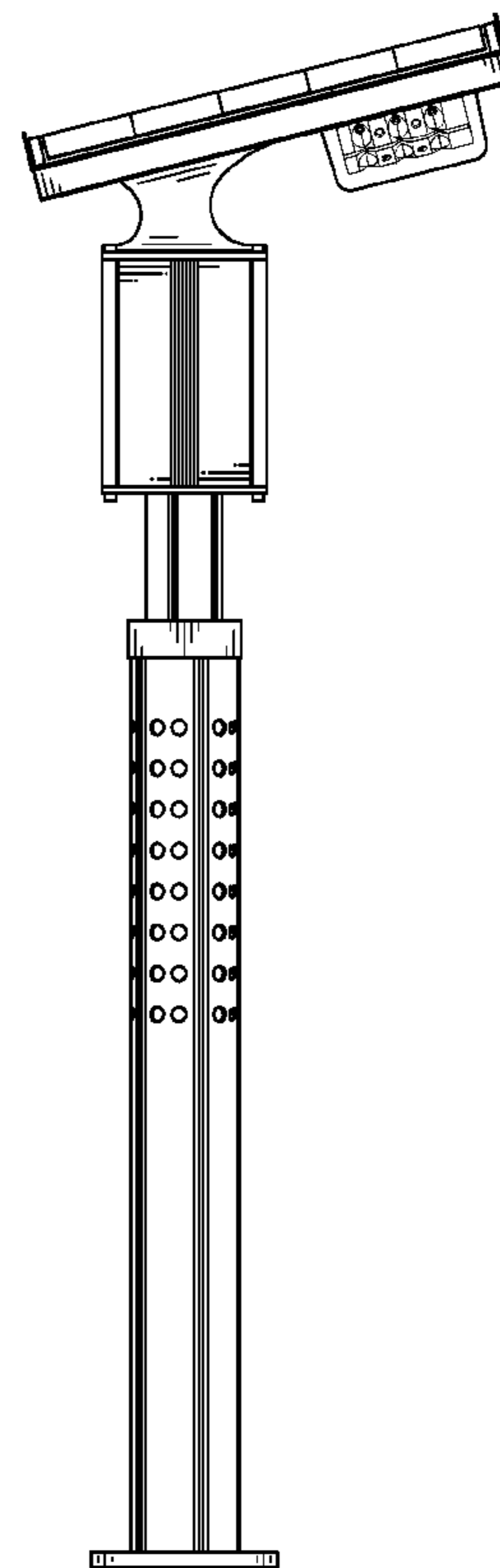
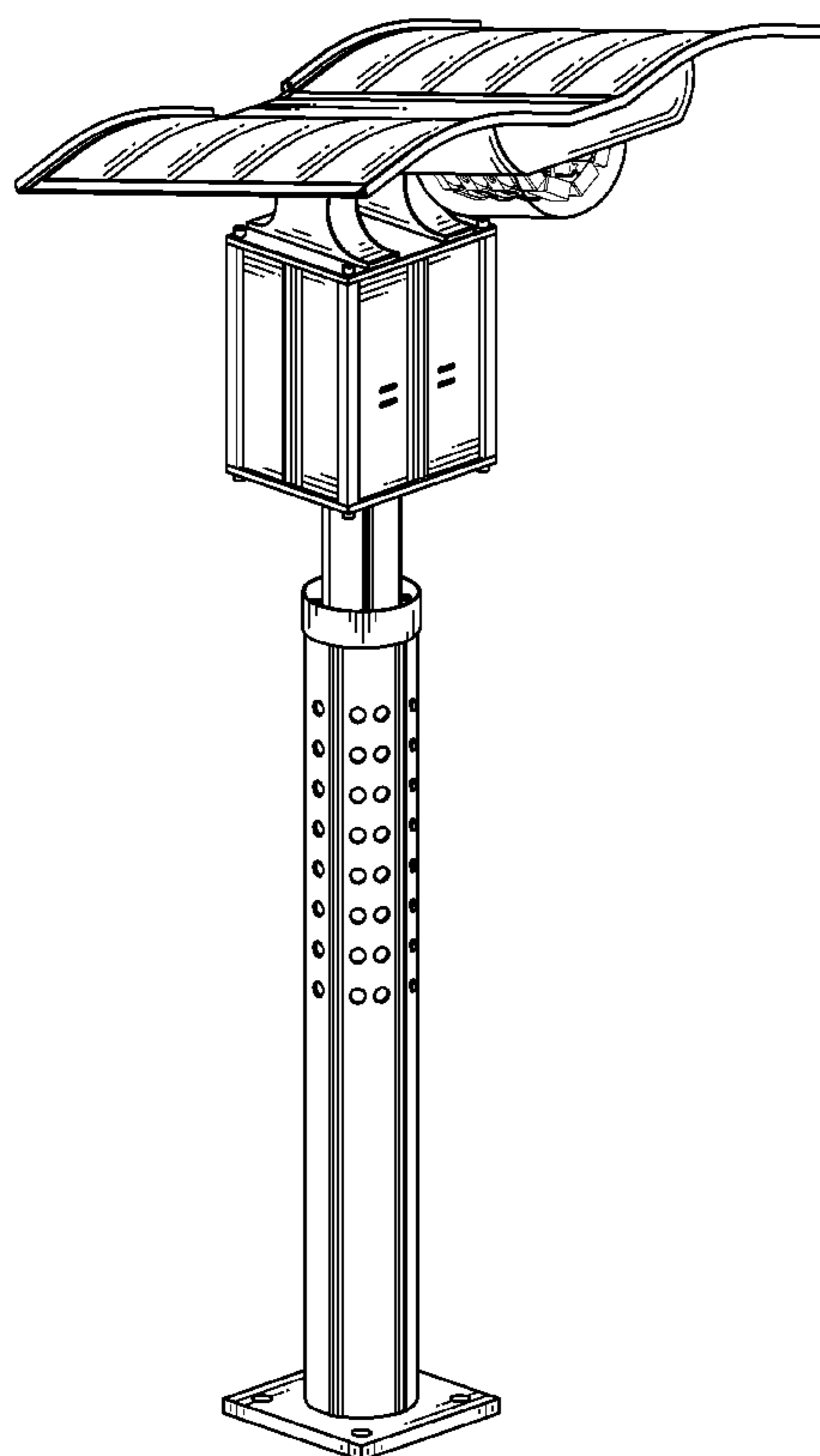
6,942,361 B1 * 9/2005 Kishimura et al. 362/240

D555,279 S * 11/2007 Schneider D26/71

D573,742 S * 7/2008 Bears D26/71

2006/0250803 A1 * 11/2006 Chen 362/373

1 Claim, 7 Drawing Sheets



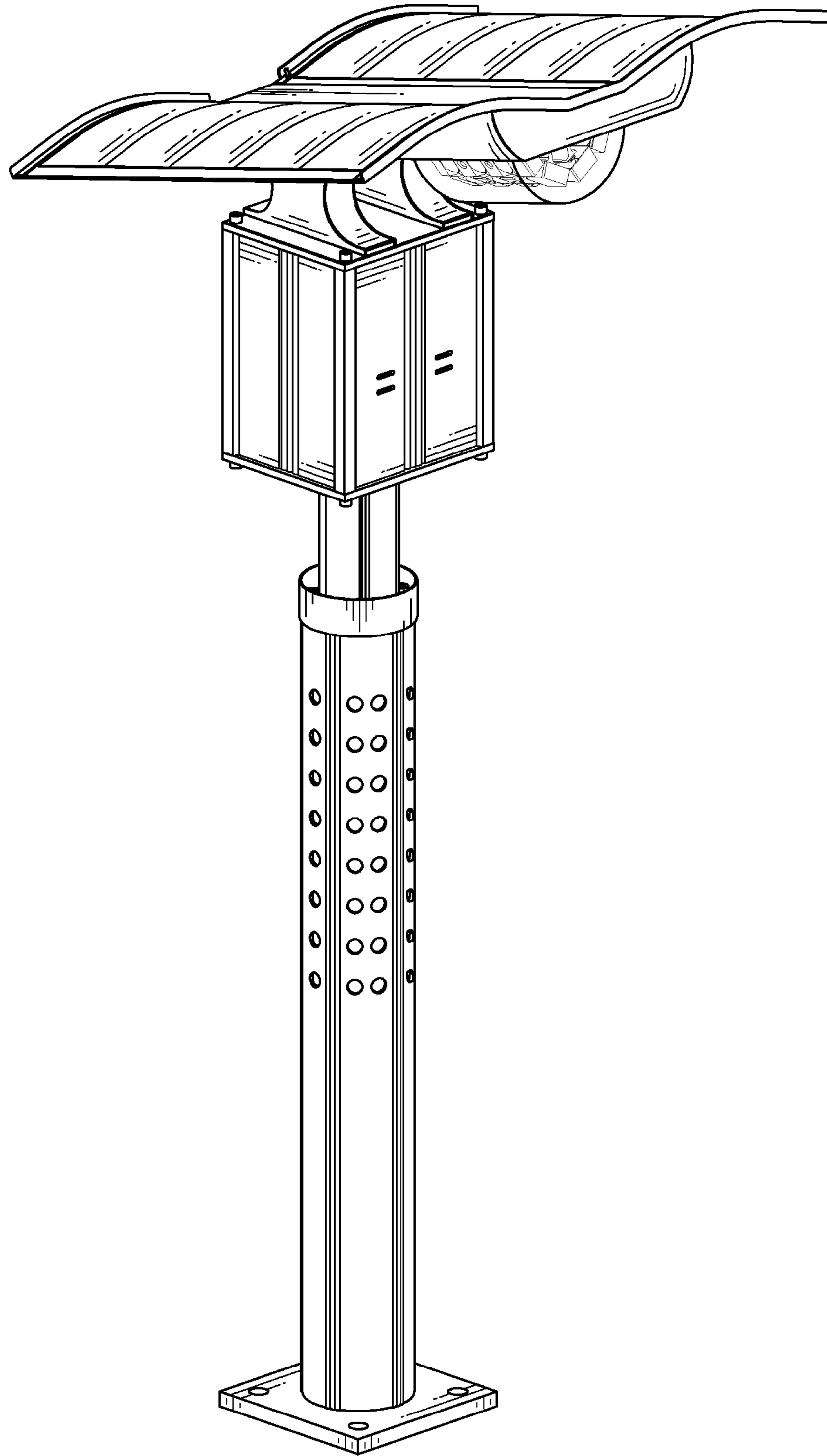


FIG. 1

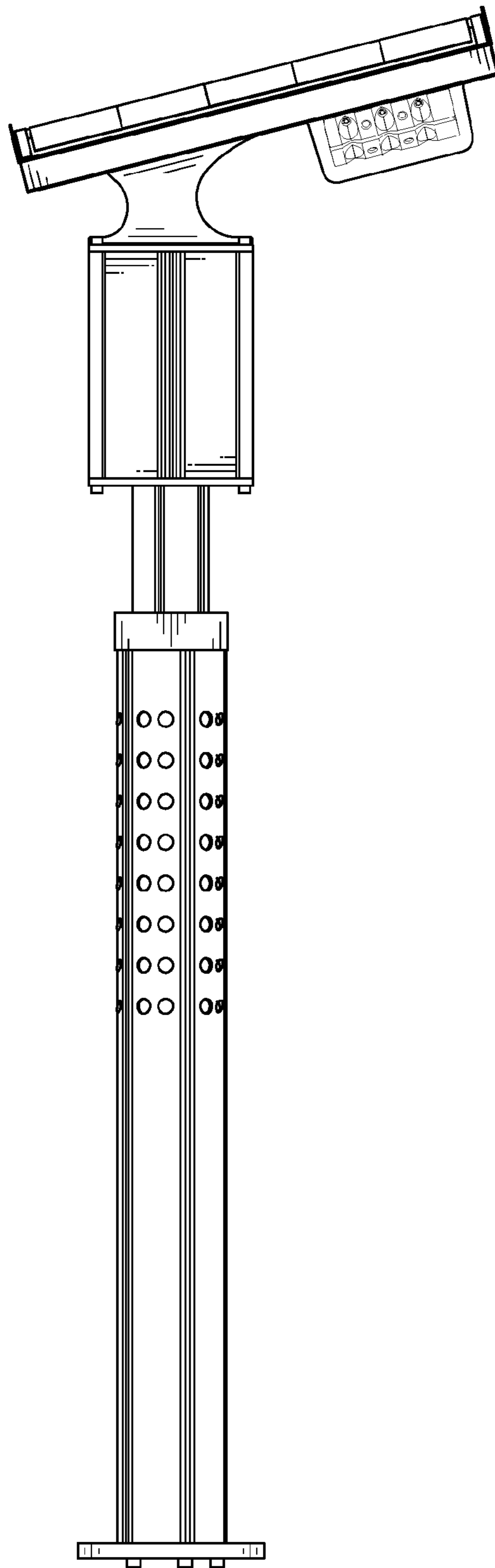


FIG. 2

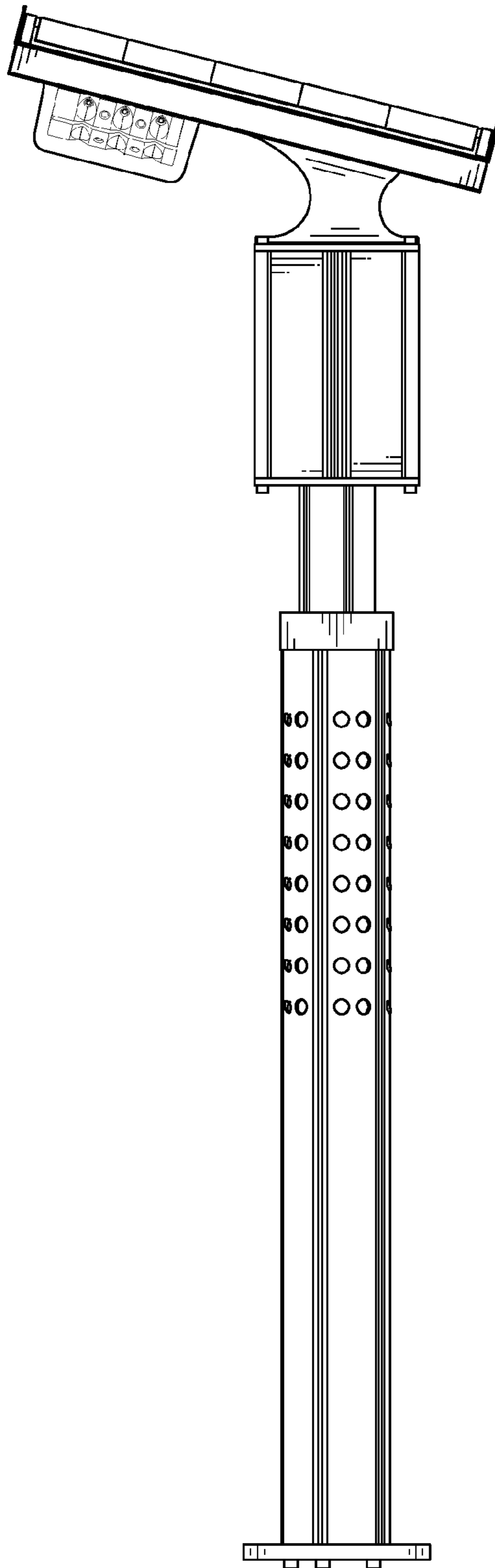


FIG. 3

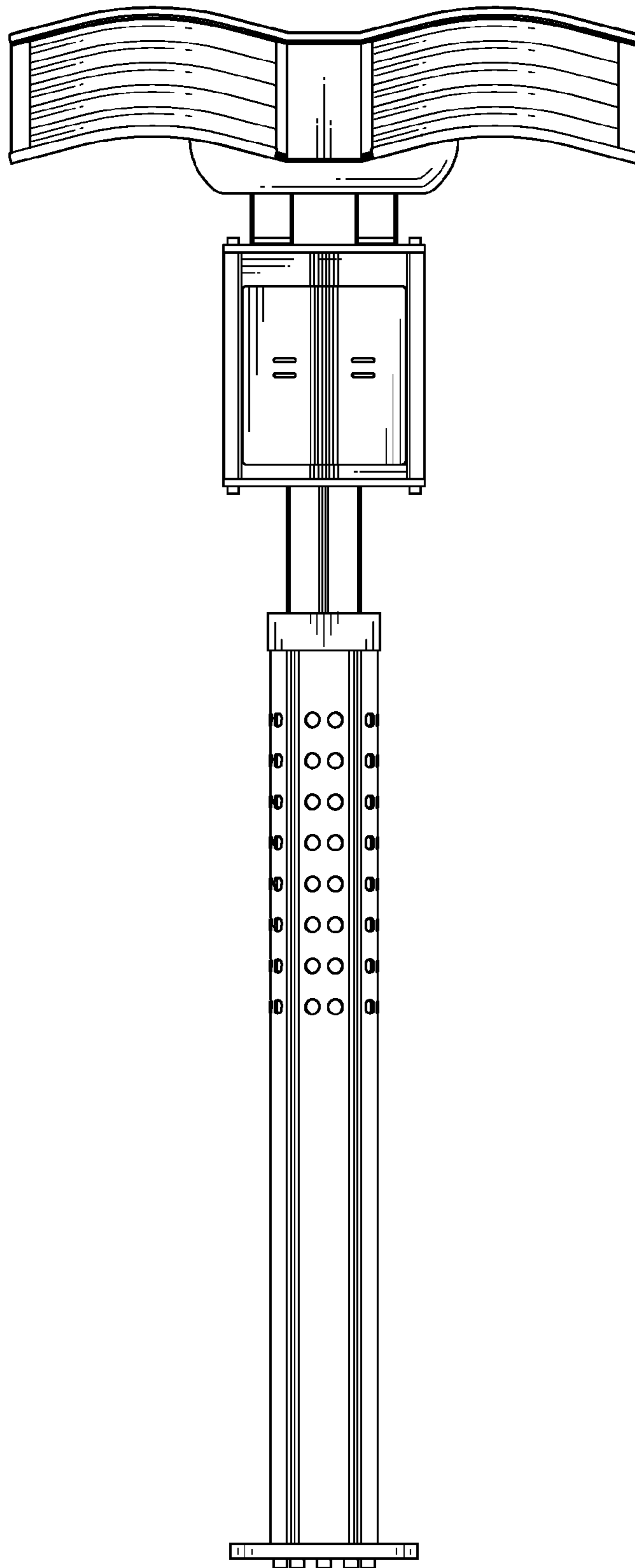


FIG. 4

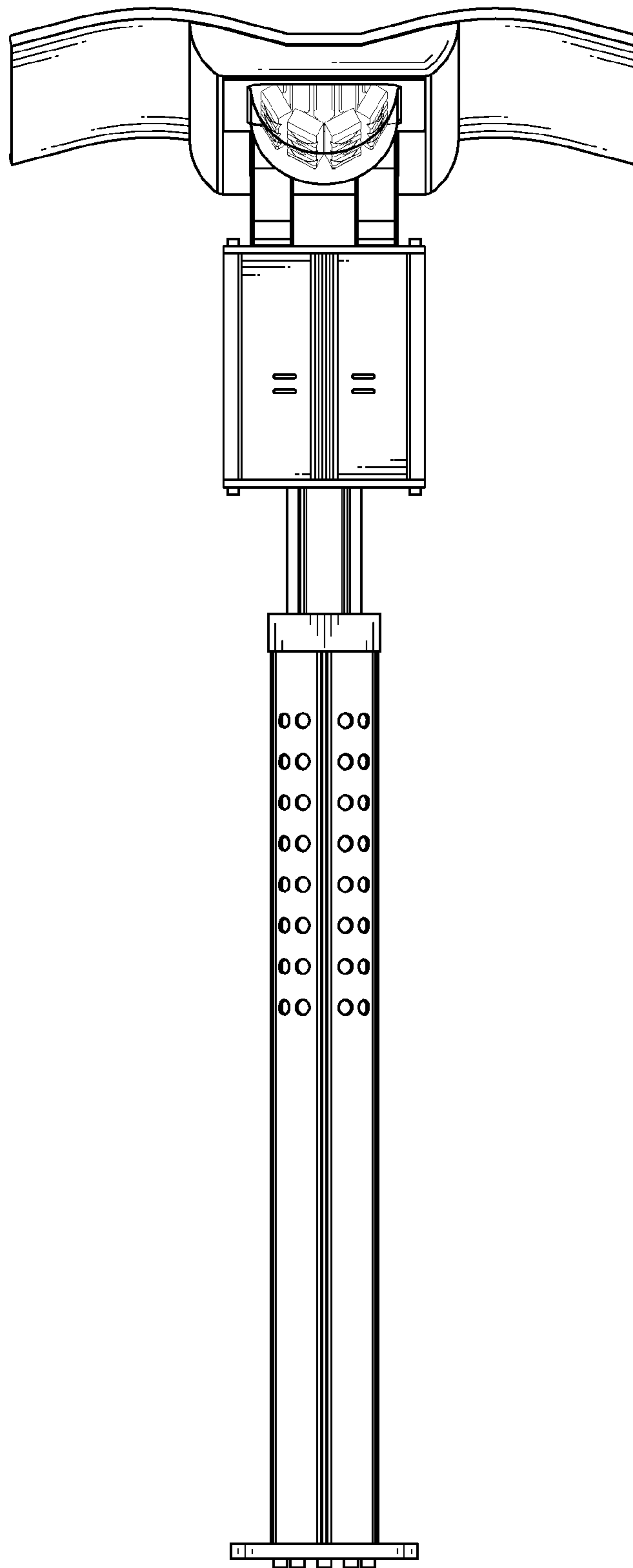


FIG. 5

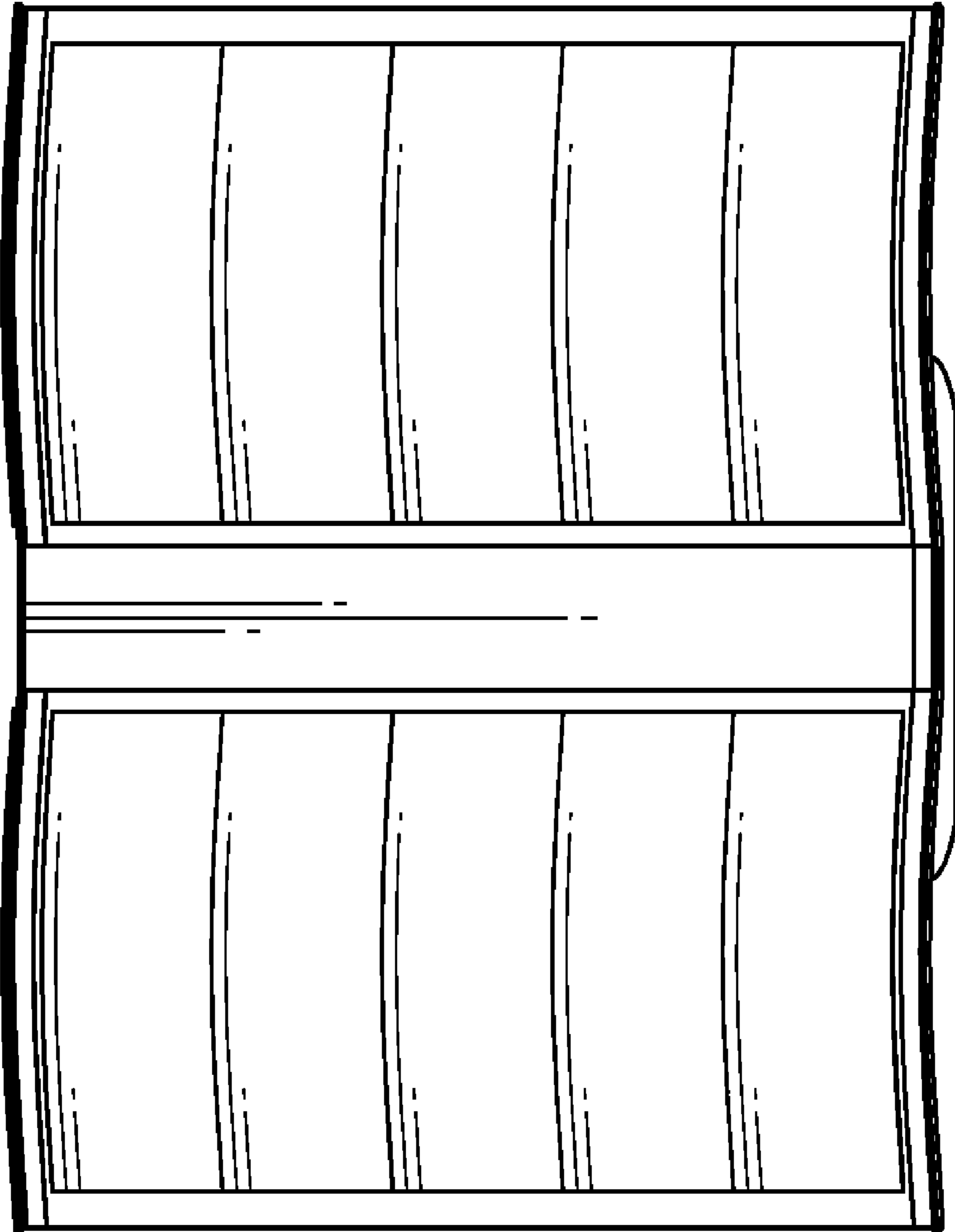


FIG. 6

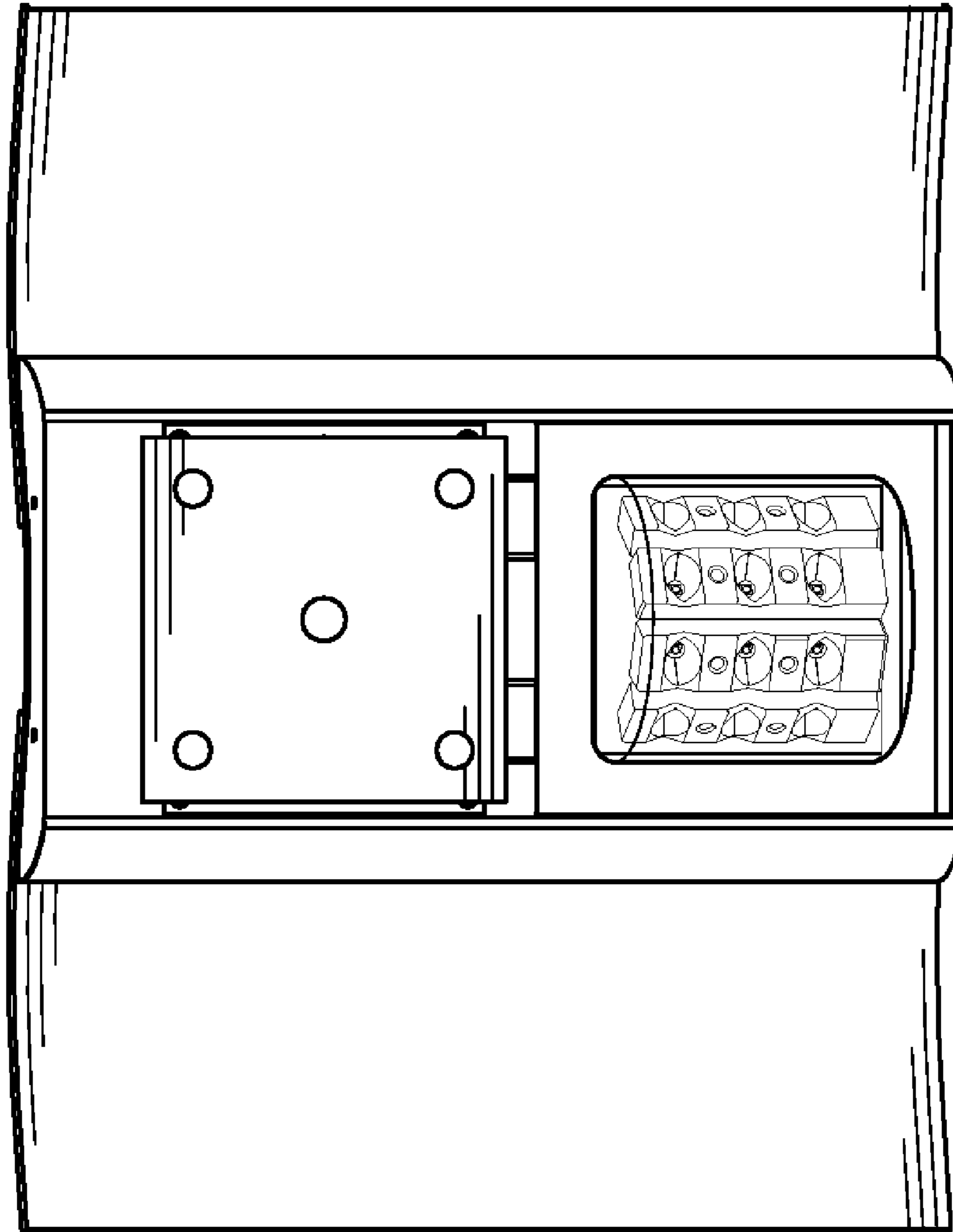


FIG. 7