

US00D598597S

(12) **United States Design Patent**
Lu et al.

(10) **Patent No.:** **US D598,597 S**

(45) **Date of Patent:** **** Aug. 18, 2009**

(54) **SOLAR LED LAMP**

(75) Inventors: **Zhong-Liang Lu**, Shenzhen (CN);
Yong-Dong Chen, Shenzhen (CN);
Shih-Hsun Wung, Taipei Hsien (TW)

(73) Assignee: **Foxconn Technology Co., Ltd.**,
Tu-Cheng, Taipei Hsien (TW)

(**) Term: **14 Years**

(21) Appl. No.: **29/329,670**

(22) Filed: **Dec. 18, 2008**

(51) **LOC (9) Cl.** **26-05**

(52) **U.S. Cl.** **D26/68; D26/71**

(58) **Field of Classification Search** D26/67-72,
D26/85; 362/183, 431, 152-153.1

See application file for complete search history.

(56) **References Cited**

U.S. PATENT DOCUMENTS

D195,310	S *	5/1963	Zagel	D26/70
D207,551	S *	5/1967	Spaulding	D26/71
4,200,904	A *	4/1980	Doan	362/183
4,281,369	A *	7/1981	Batte	362/183
5,595,440	A *	1/1997	Gordin et al.	362/247
6,942,361	B1 *	9/2005	Kishimura et al.	362/240
D555,279	S *	11/2007	Schneider	D26/71
D573,742	S *	7/2008	Bears	D26/71

2006/0250803	A1 *	11/2006	Chen	362/373
2008/0174456	A1 *	7/2008	Warren	340/994
2009/0040750	A1 *	2/2009	Myer	362/183

OTHER PUBLICATIONS

“Aurora” Streetlight Collection found at www.sketchup.google.com on Mar. 25, 2009.*

Self Contained Dusk to Dawn Solar Powered Lights #7-12 and #14-19 from www.raytechstore.com © 2008.*

* cited by examiner

Primary Examiner—Clare E Heflin

(74) *Attorney, Agent, or Firm*—Frank R. Niranjana

(57) **CLAIM**

The ornamental design for a solar LED lamp, as shown.

DESCRIPTION

FIG. 1 is a perspective view of a solar LED lamp showing our new design.

FIG. 2 is a front elevational view thereof.

FIG. 3 is a rear elevational view thereof.

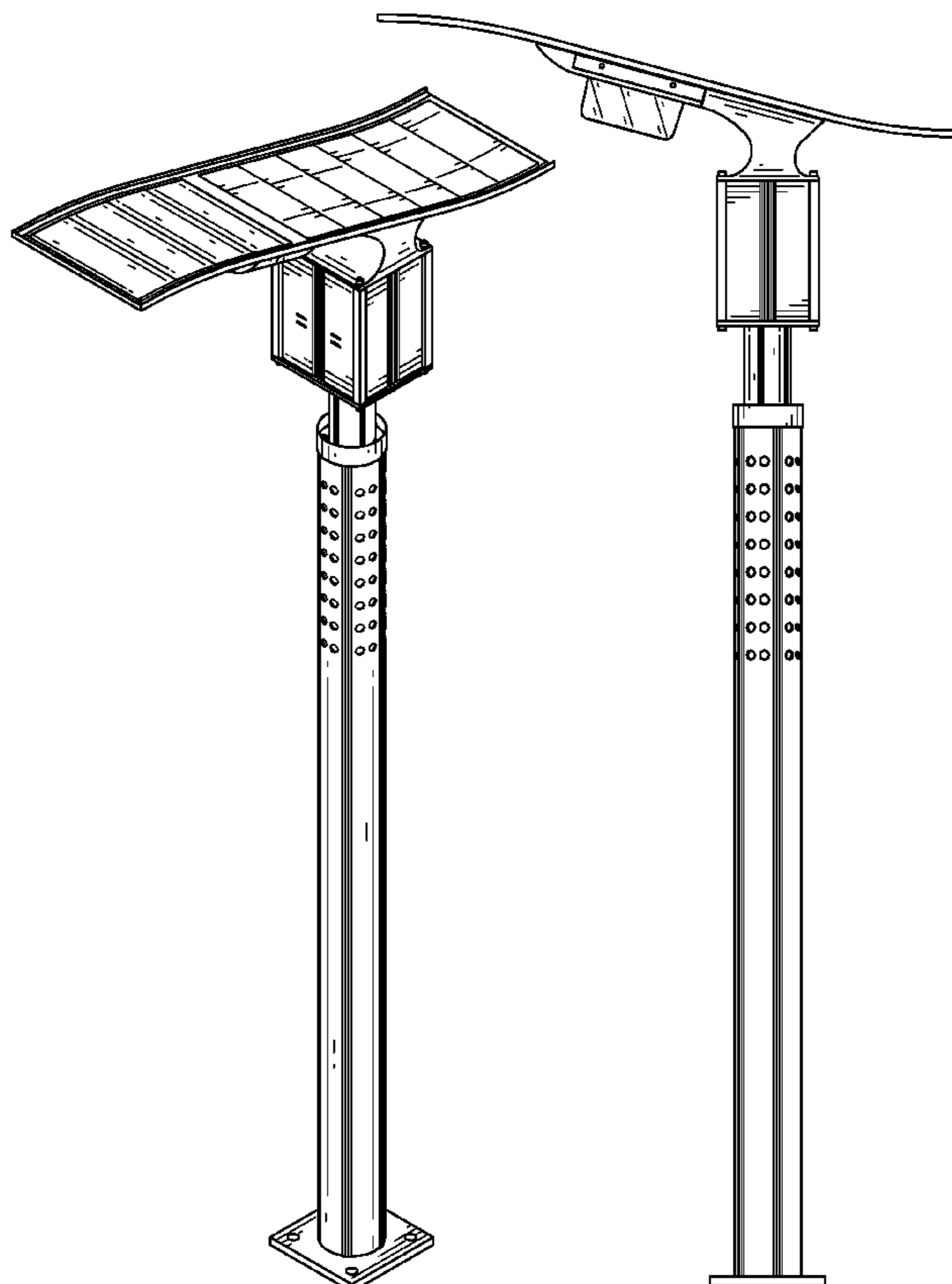
FIG. 4 is a left-side, elevational view thereof.

FIG. 5 is a right-side, elevational view thereof.

FIG. 6 is a top plan view thereof; and,

FIG. 7 is a bottom plan view thereof.

1 Claim, 7 Drawing Sheets



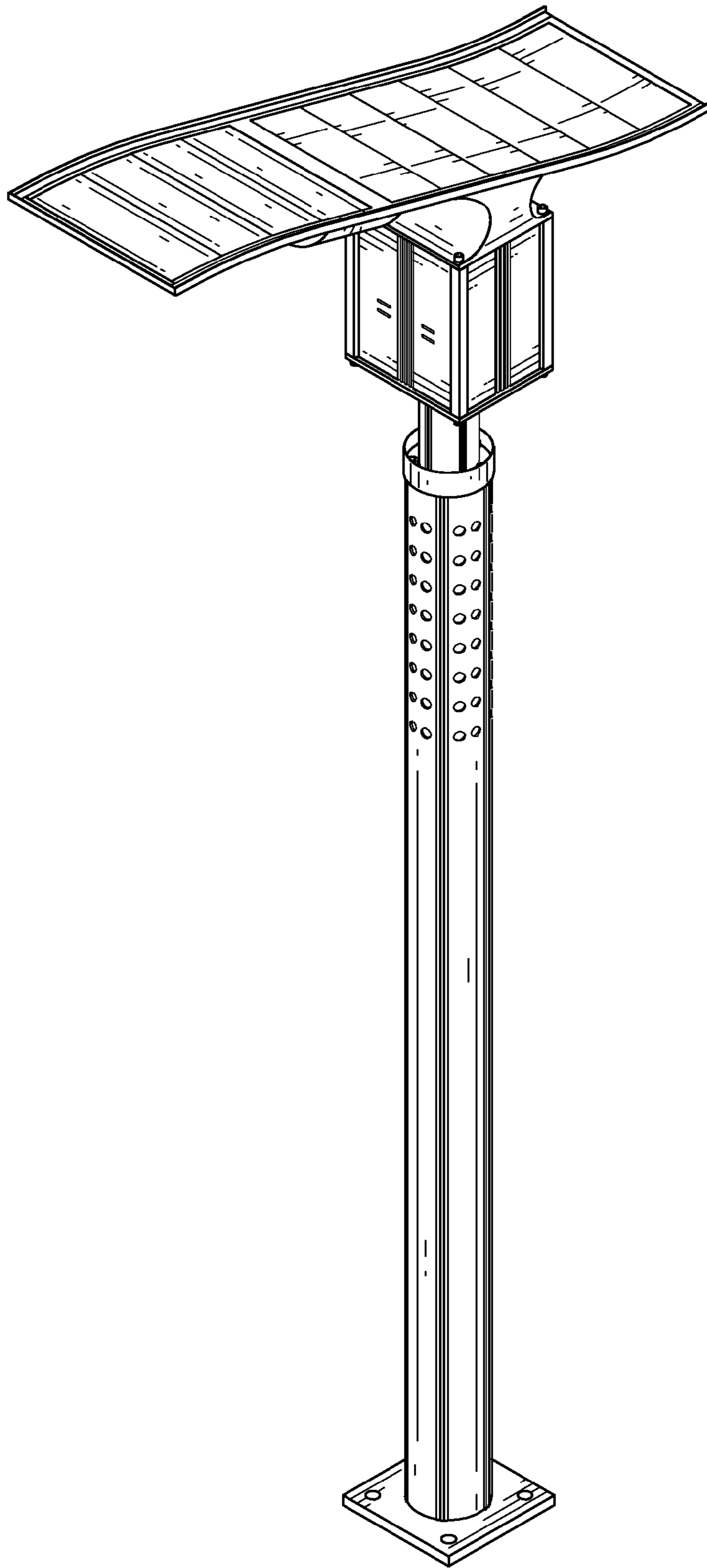


FIG. 1

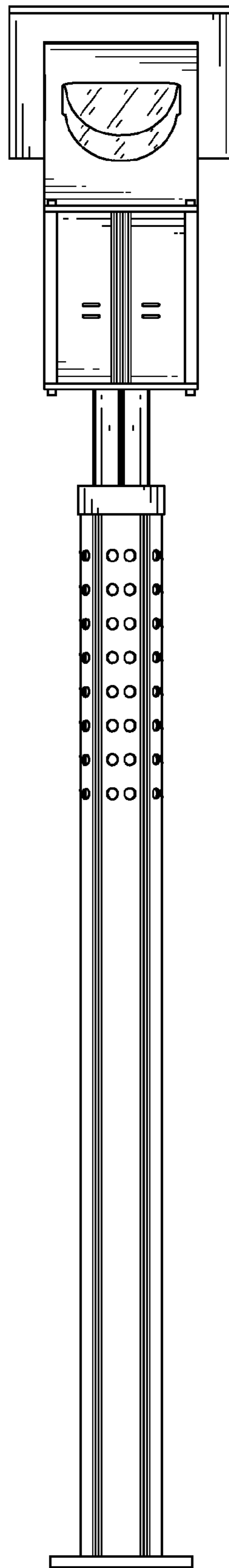


FIG. 2

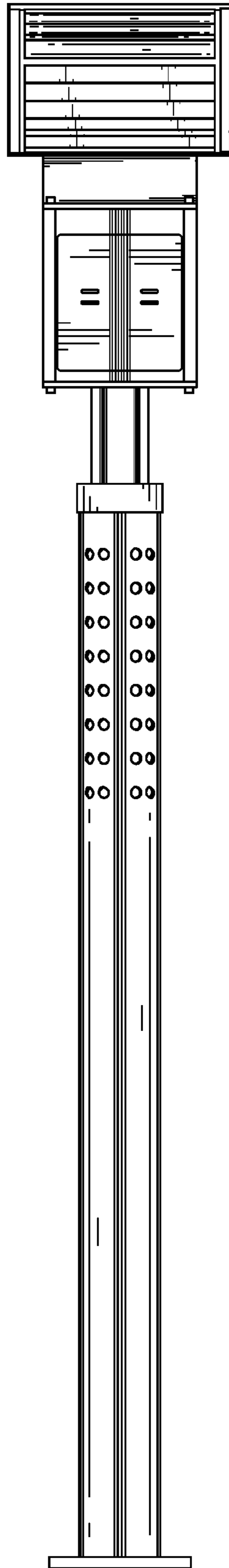


FIG. 3

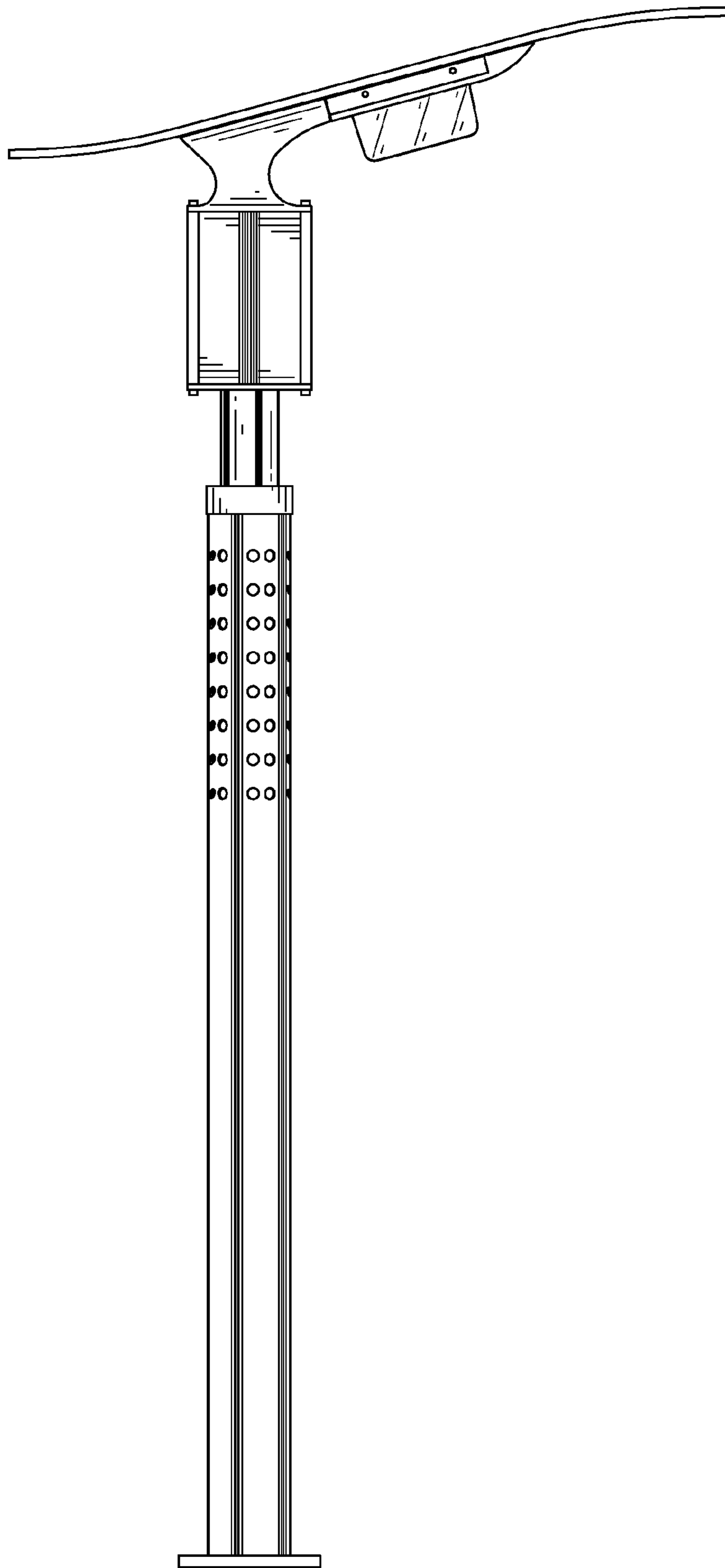


FIG. 4

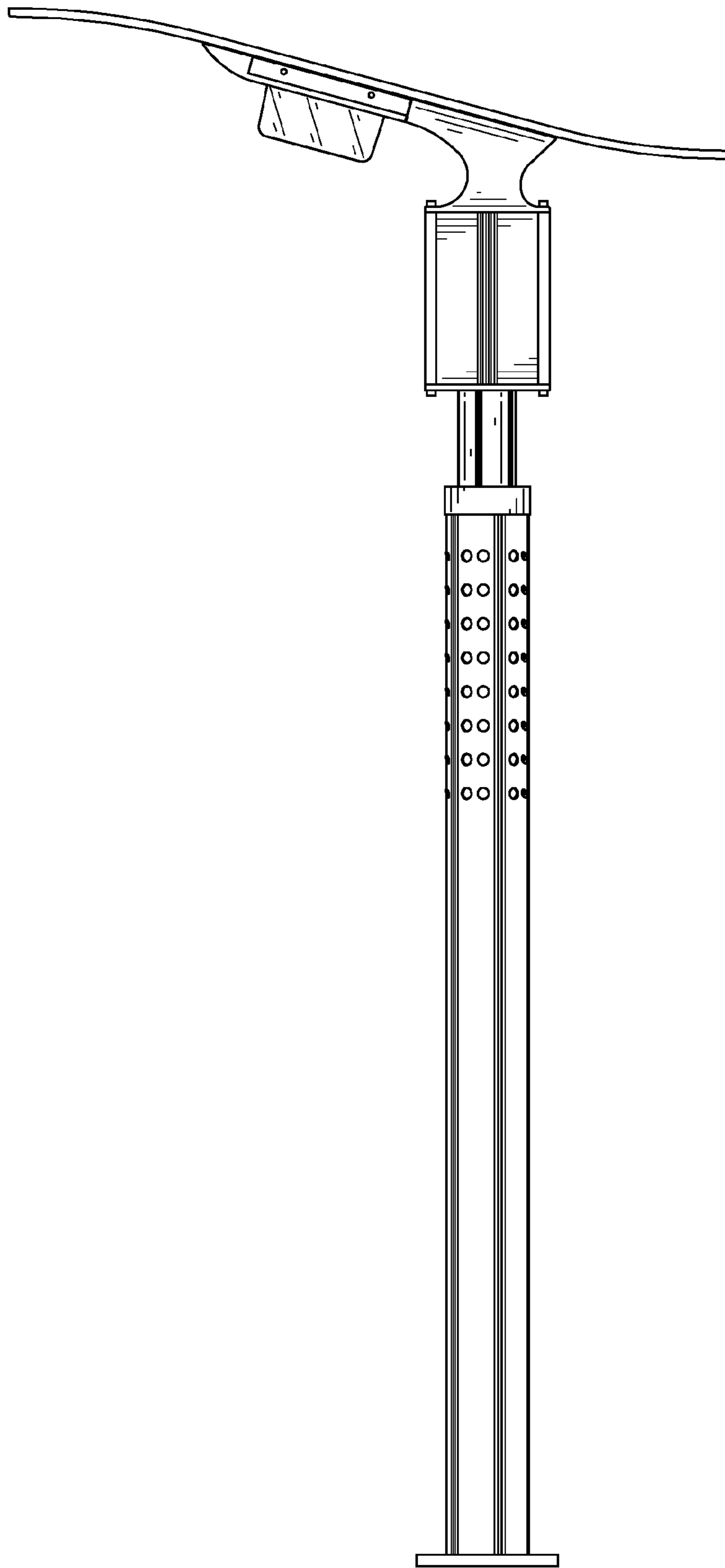


FIG. 5

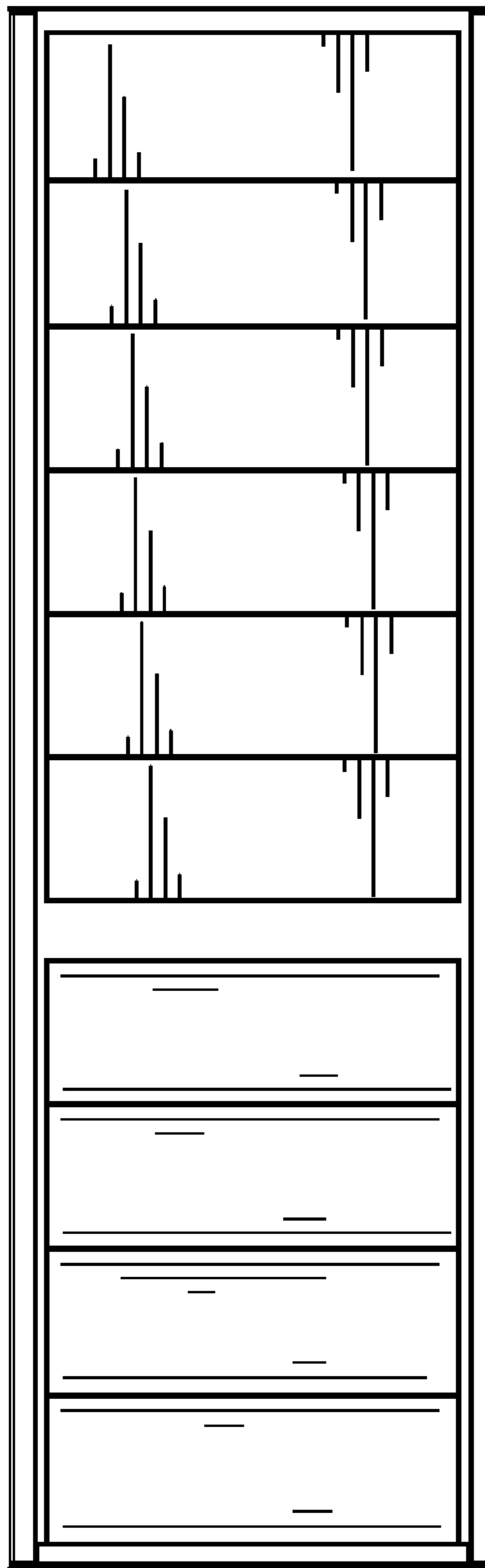


FIG. 6

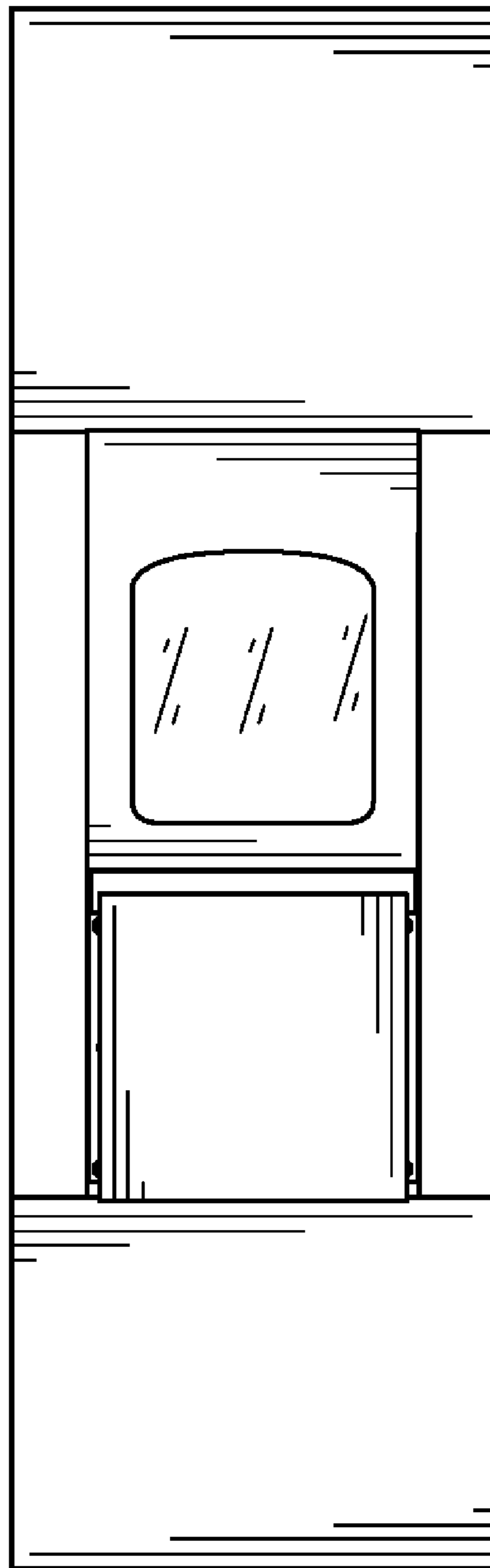


FIG. 7