



US00D598595S

(12) **United States Design Patent**
Levine

(10) **Patent No.:** **US D598,595 S**
(45) **Date of Patent:** **** Aug. 18, 2009**

(54) **LIGHTING DEVICE**

(76) Inventor: **Jonathan E. Levine**, 419 Park Ave.
South, Suite 505, New York, NY (US)
10016

(**) Term: **14 Years**

(21) Appl. No.: **29/327,576**

(22) Filed: **Nov. 7, 2008**

Related U.S. Application Data

(63) Continuation-in-part of application No. 29/281,044,
filed on Jun. 13, 2007, now Pat. No. Des. 582,601.

(51) **LOC (9) Cl.** **26-05**

(52) **U.S. Cl.** **D26/63**

(58) **Field of Classification Search** D26/24,
D26/44, 45, 61, 62, 63, 64, 65, 66, 72, 73,
D26/87, 93, 104, 105, 106, 107, 108; 362/145,
362/147, 148, 153, 220, 217.02, 269, 277,
362/282, 285, 287, 296.05, 311.05, 311.06,
362/372, 228, 236, 237, 249.03, 249.04,
362/249.06, 249.07, 249.08, 249.09, 249.1,
362/249.11

See application file for complete search history.

(56) **References Cited**

U.S. PATENT DOCUMENTS

2,791,894 A	4/1957	Zingone	
D242,945 S *	1/1977	Moore	D26/65
D257,890 S *	1/1981	Aron	D26/63
D286,578 S *	11/1986	Krokaugger	D26/63
D299,553 S *	1/1989	Donato	D26/63
D333,008 S *	2/1993	Frost et al.	D26/63
D354,558 S	1/1995	Marvin et al.	
D359,574 S *	6/1995	Bornhorst et al.	D26/65
D371,857 S	7/1996	Gismondi	
D372,550 S *	8/1996	Stultz	D26/63
5,795,050 A	8/1998	Carter	
D417,024 S *	11/1999	Stuyfzand	D26/63
D437,441 S *	2/2001	Shoemaker et al.	D26/63
D443,713 S	6/2001	Benensohn	
6,566,824 B2	5/2003	Panagotacos et al.	
6,588,920 B2	7/2003	Agro	
D490,925 S	6/2004	Wilmotte	

D506,560 S	6/2005	Oas	
D512,170 S	11/2005	Canino et al.	
D548,868 S *	8/2007	Roberge et al.	D26/63
D552,284 S *	10/2007	Kosche et al.	D26/63
D561,925 S	2/2008	Levine	
D567,987 S	4/2008	Khubani	
D576,338 S	9/2008	Levine	
D578,246 S	10/2008	Levine	
D581,572 S	11/2008	Levine	
D582,601 S	12/2008	Levine	
D586,491 S	2/2009	Levine	
D587,833 S *	3/2009	Bina et al.	D26/63
2006/0250789 A1	11/2006	Coushaine	

* cited by examiner

Primary Examiner—Jennifer Rivard

Assistant Examiner—Angela J Lee

(74) *Attorney, Agent, or Firm*—Theodore W. Baker

(57) **CLAIM**

I claim the ornamental design for a lighting device, as shown and described.

DESCRIPTION

FIG. 1 is a perspective view of a lighting device showing my new design, as viewed from the top and one side.

FIG. 2 is a perspective view of the lighting device of FIG. 1 with the light head tilted, as viewed from the top and one side.

FIG. 3 is a first side elevation view of the lighting device of FIG. 1.

FIG. 4 is a front elevation view of the lighting device of FIG. 1.

FIG. 5 is a top plan view of the lighting device of FIG. 1.

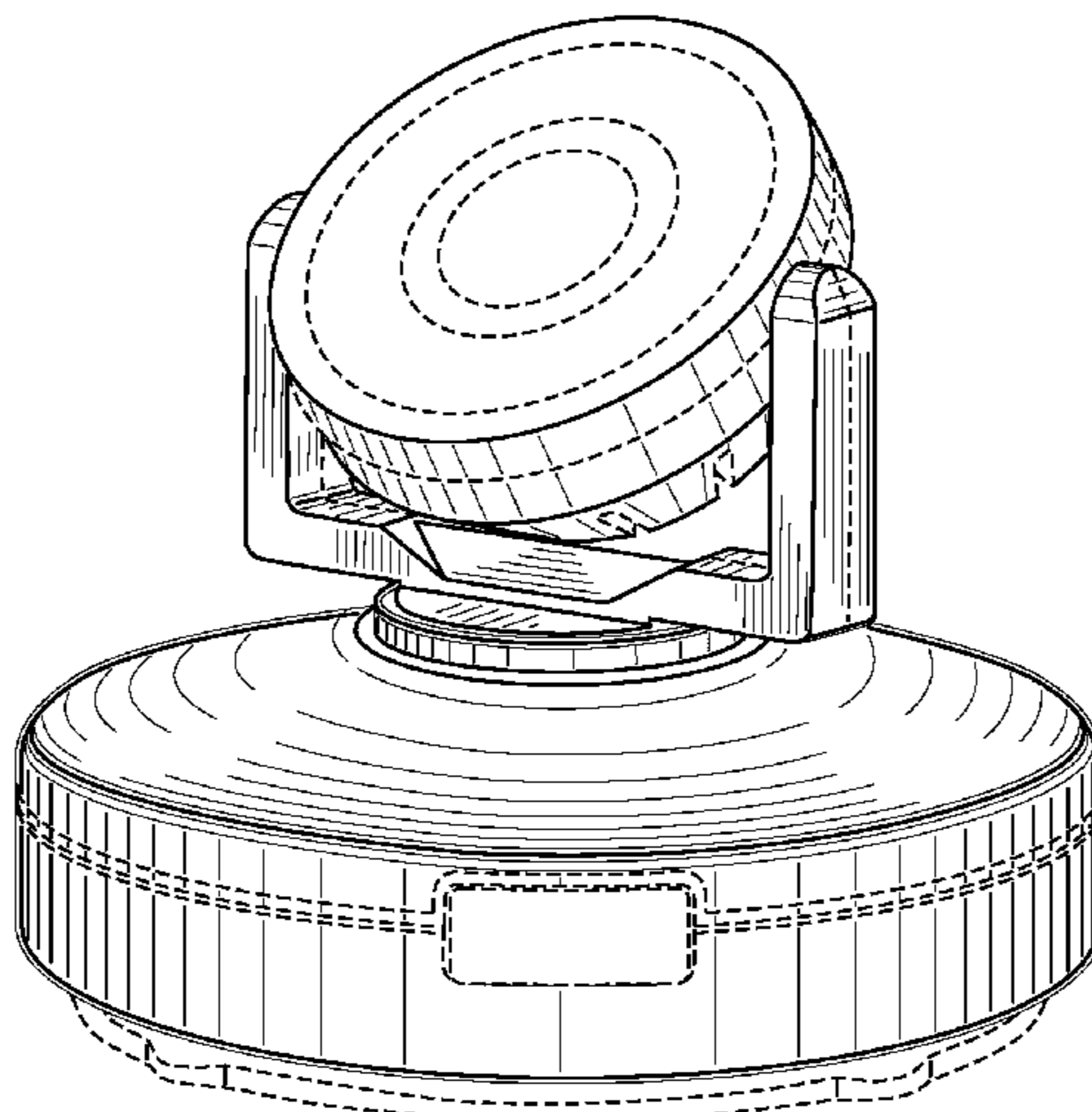
FIG. 6 is a back elevation view of the lighting device of FIG. 1.

FIG. 7 is a second side elevation view of the lighting device of FIG. 1; and,

FIG. 8 is a bottom plan view of the lighting device of FIG. 1.

The details shown in broken lines illustrate portions of the lighting device that form no part of the claimed design.

1 Claim, 4 Drawing Sheets



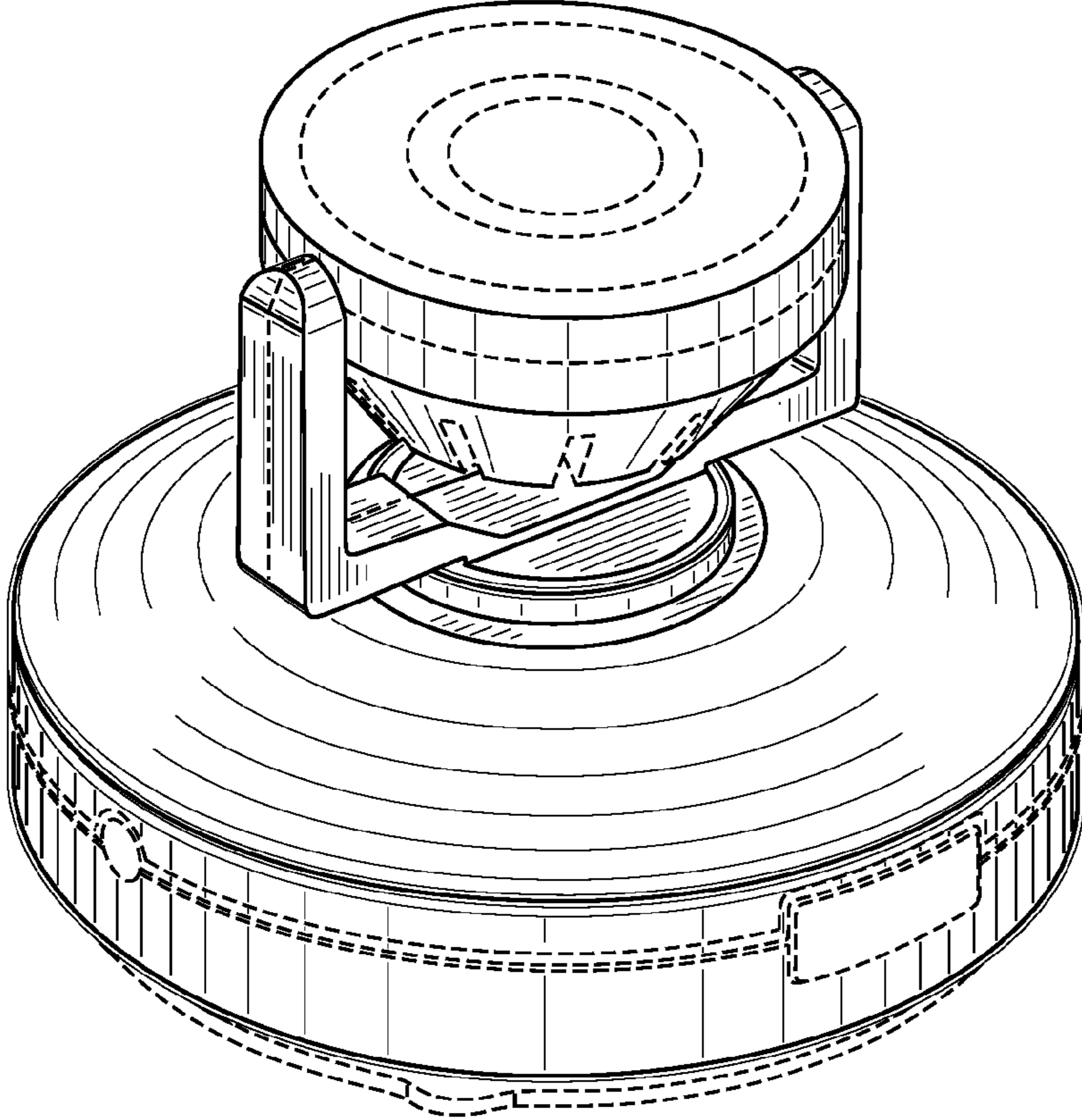


FIG. 1

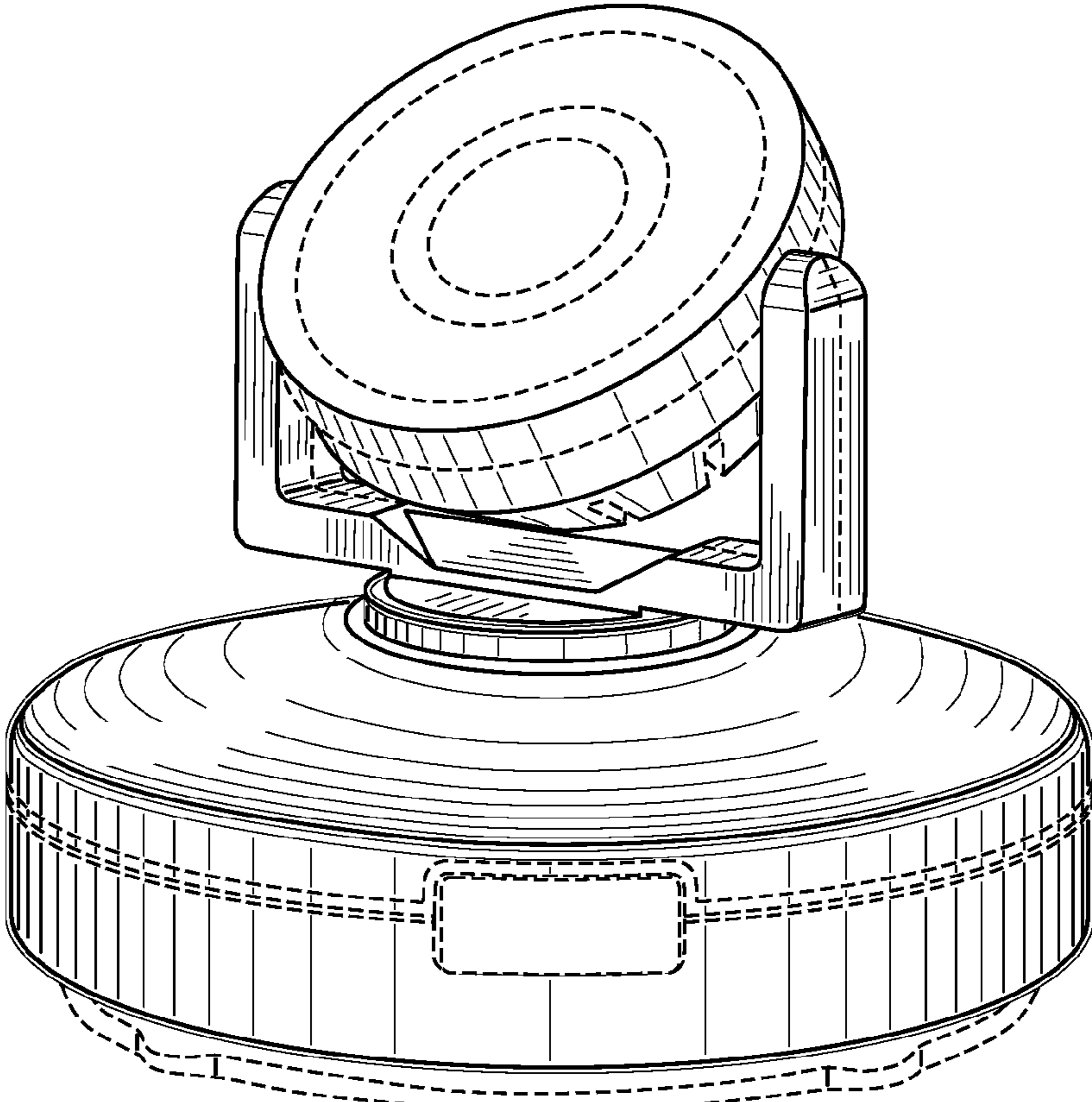


FIG. 2

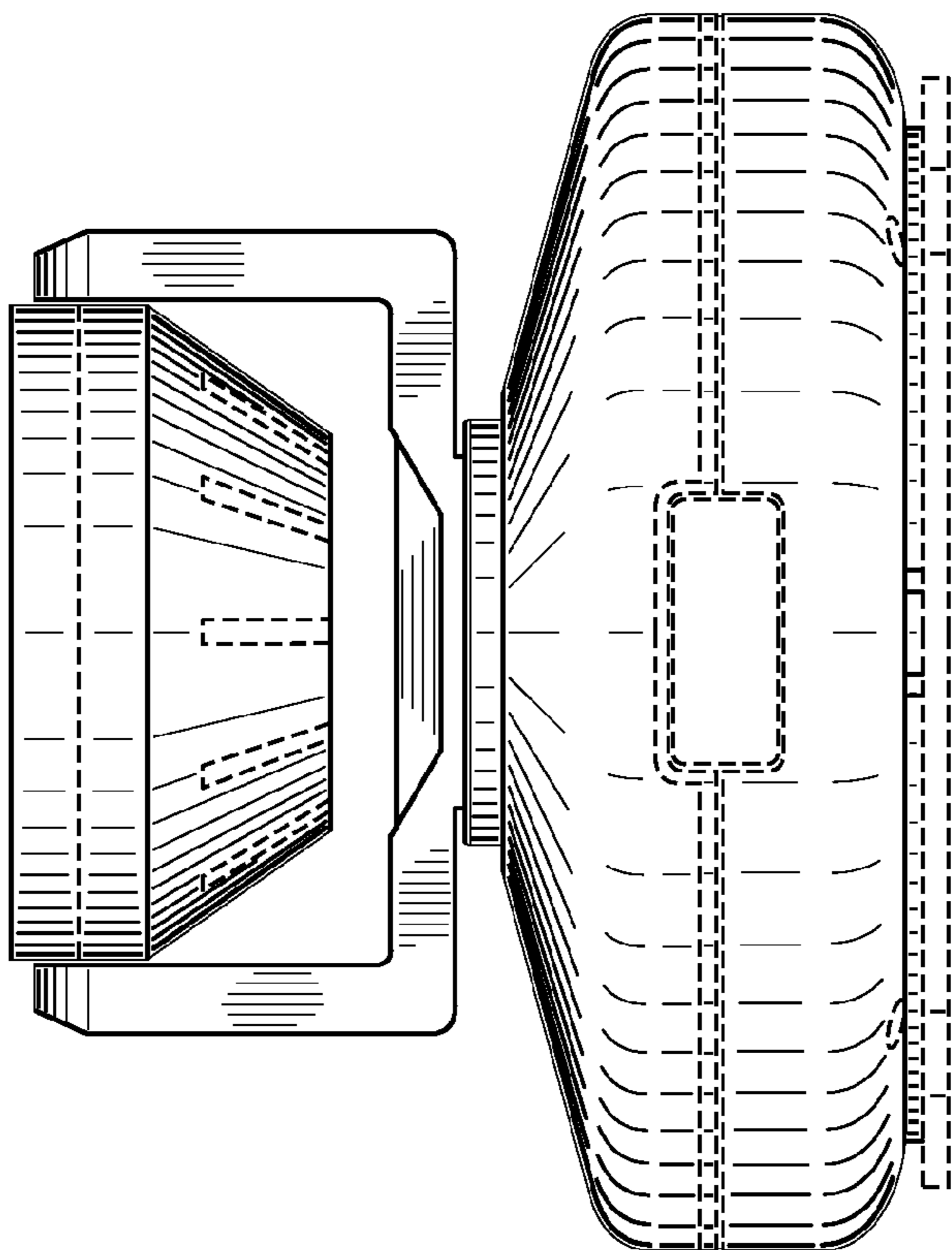


FIG. 4

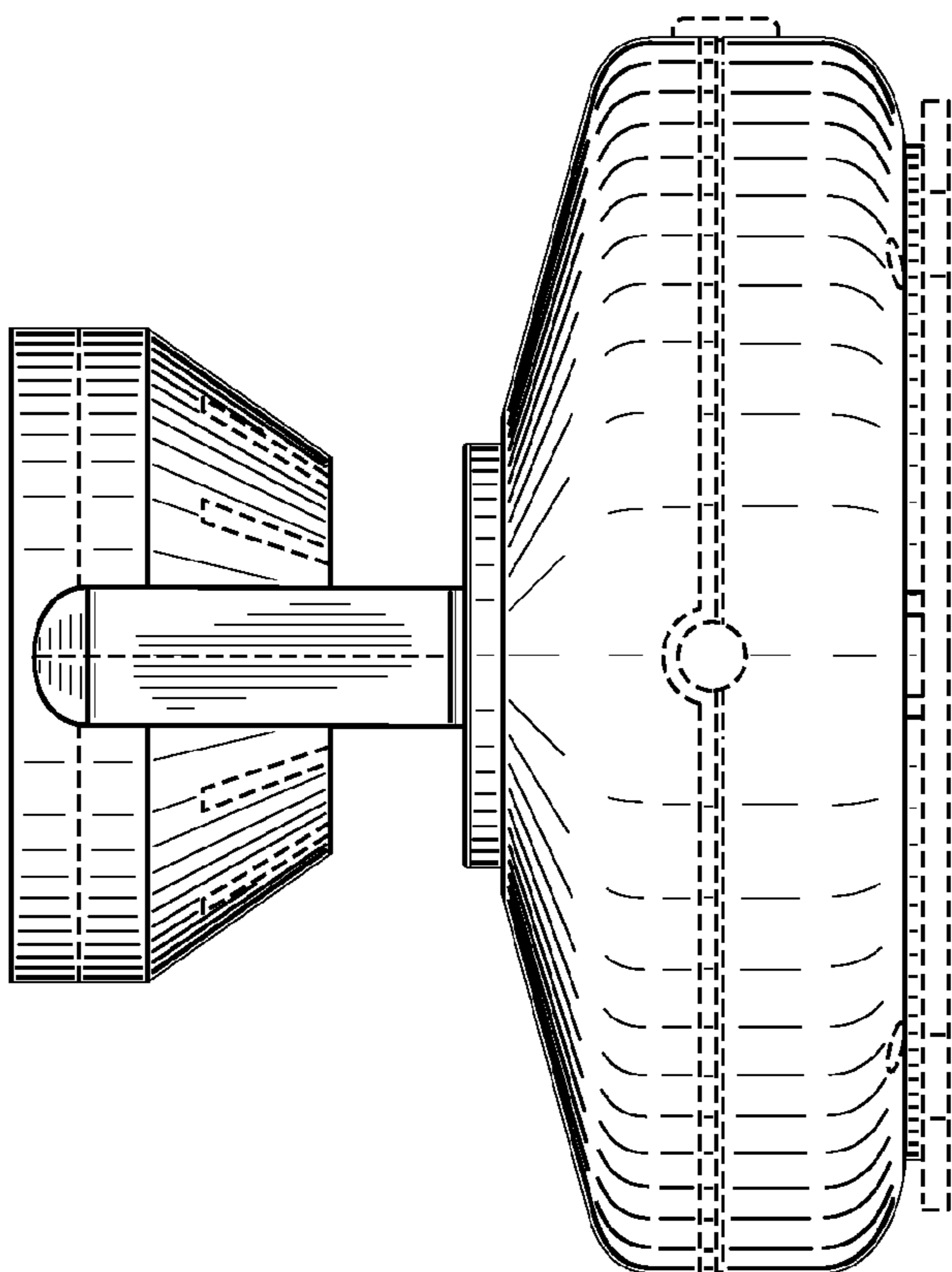


FIG. 3

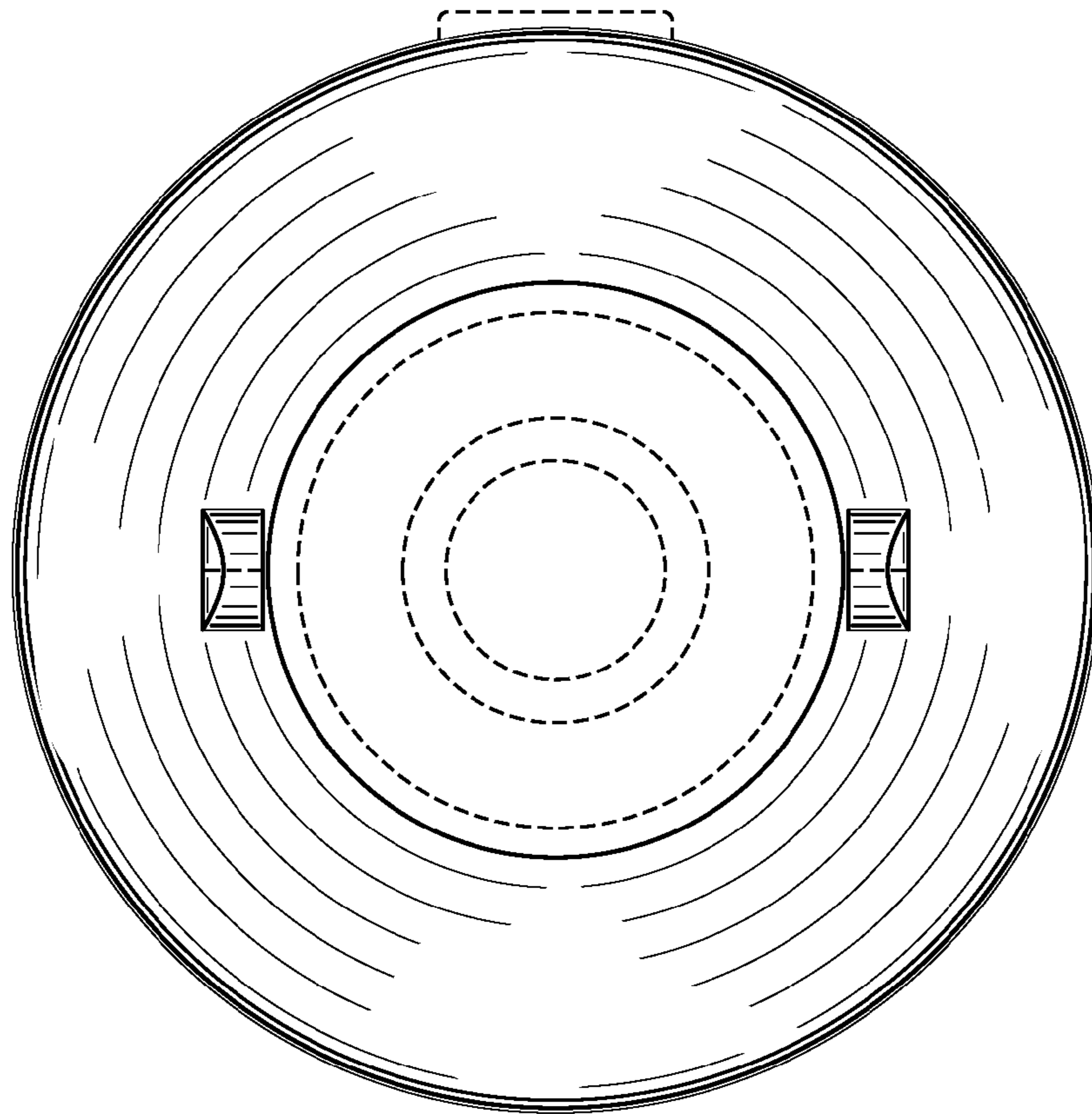


FIG. 5

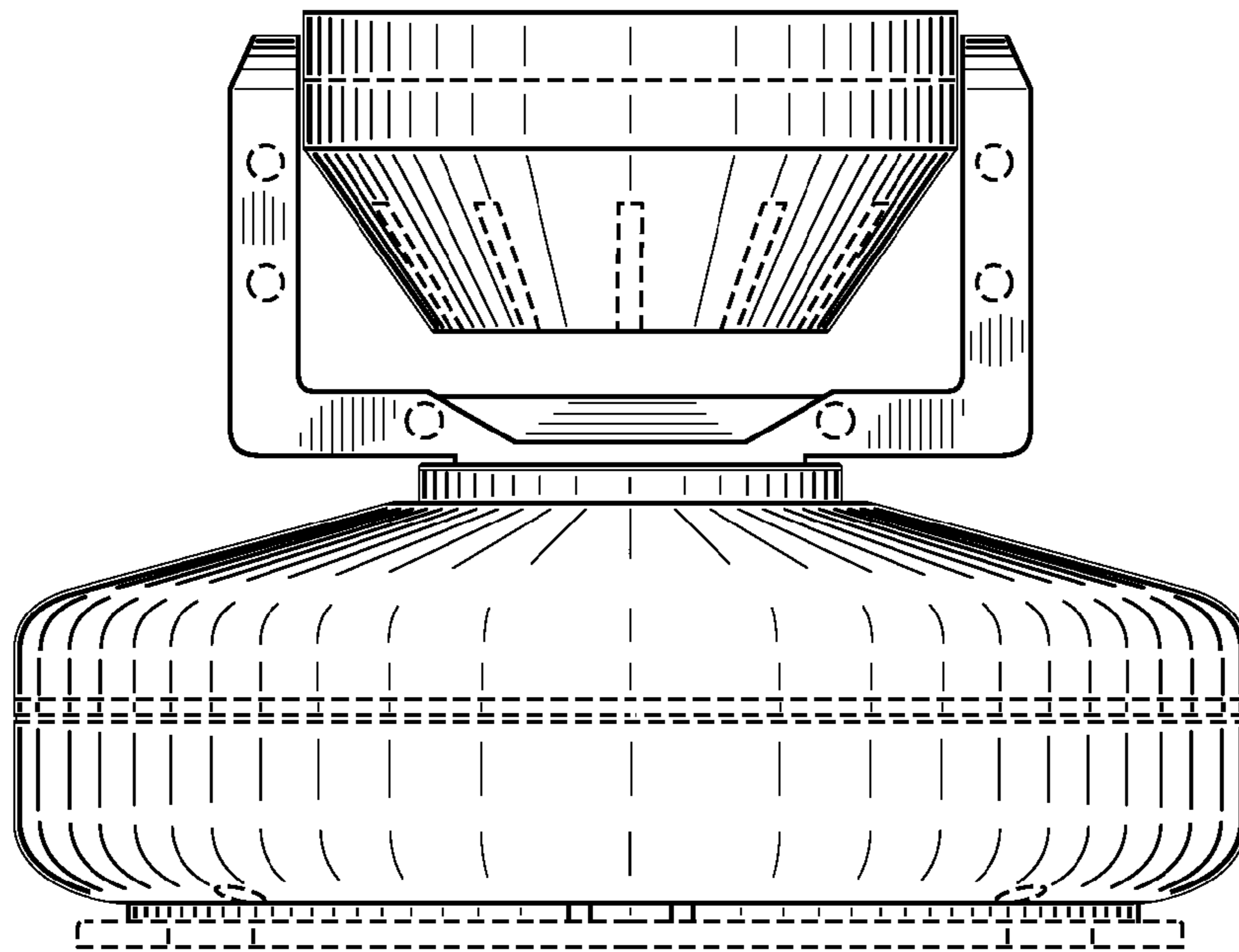


FIG. 6

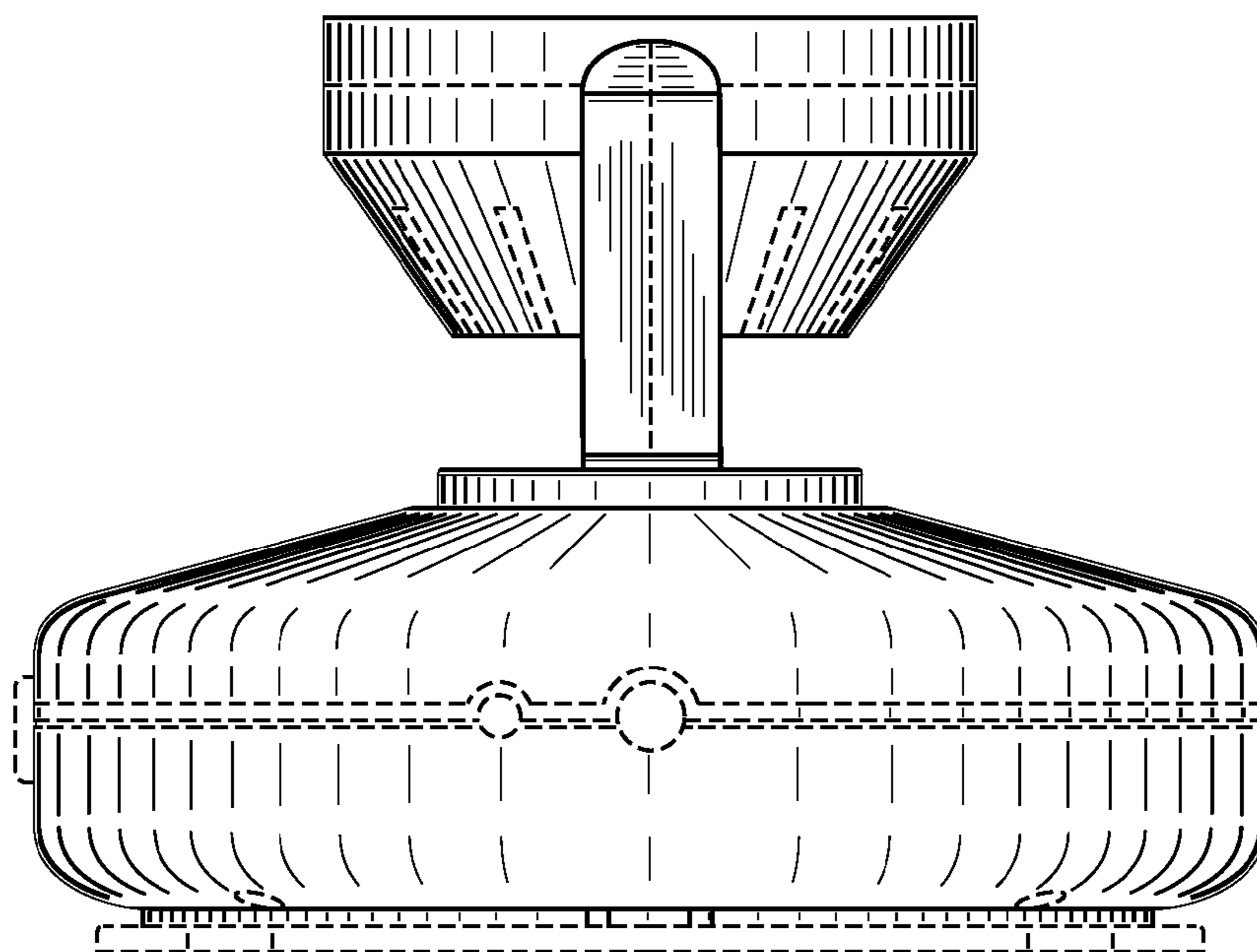


FIG. 7

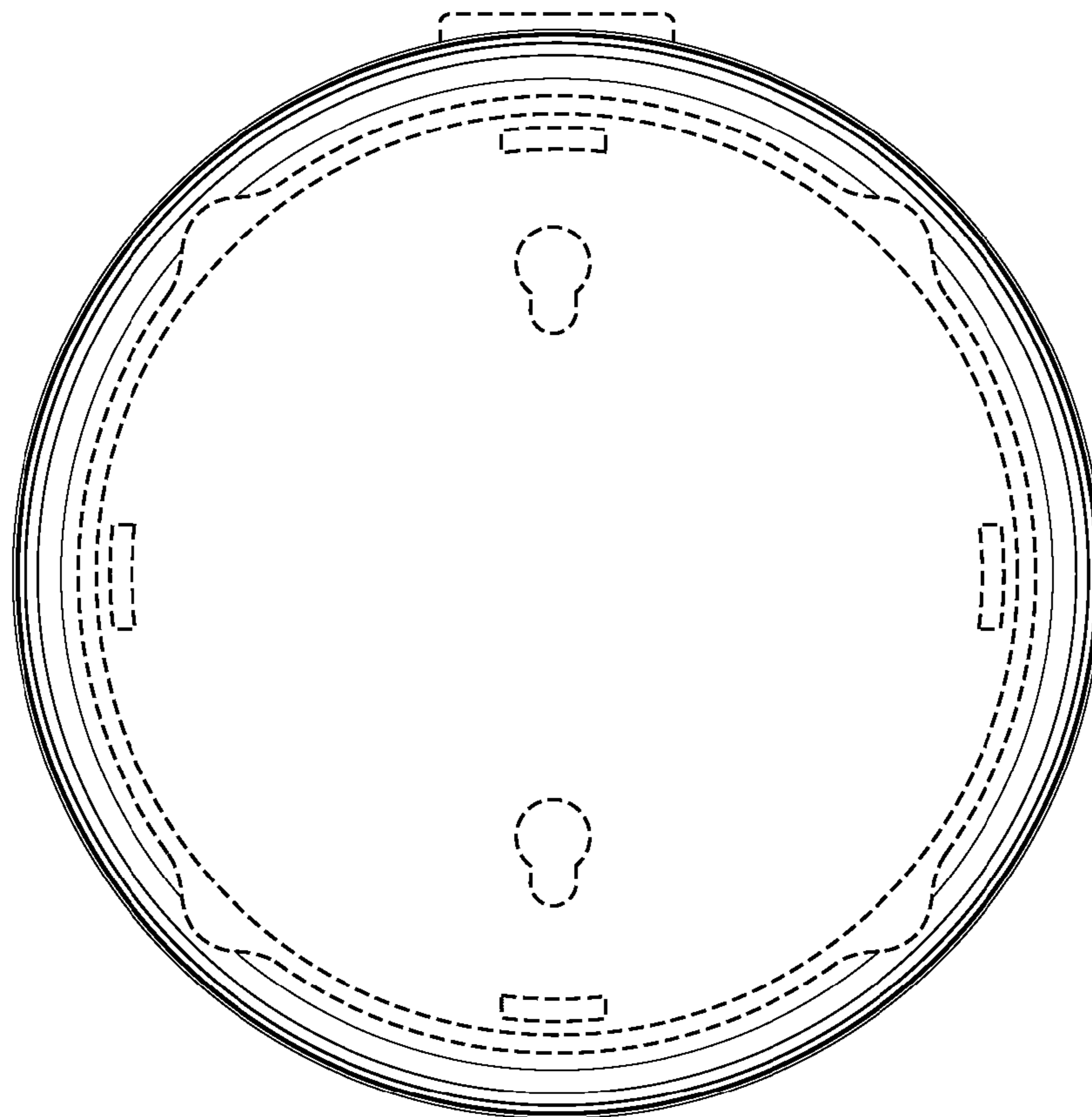


FIG. 8