



US00D598594S

(12) **United States Design Patent**
Béhar

(10) **Patent No.:** **US D598,594 S**

(45) **Date of Patent:** **** Aug. 18, 2009**

(54) **LUMINAIRE**

(75) Inventor: **Yves Béhar**, San Francisco, CA (US)

(73) Assignee: **Erco Leuchten GmbH**, Ludenscheid (DE)

(**) Term: **14 Years**

(21) Appl. No.: **29/301,104**

(22) Filed: **Feb. 8, 2008**

(30) **Foreign Application Priority Data**

Aug. 13, 2007	(EM)	000774005-014
Aug. 13, 2007	(EM)	000774005-015
Aug. 13, 2007	(EM)	000774005-016
Aug. 13, 2007	(EM)	000774005-017

(51) **LOC (9) Cl.** **26-05**

(52) **U.S. Cl.** **D26/63**

(58) **Field of Classification Search** D26/43,
D26/51, 56, 60-66, 72, 93, 107, 118, 128;
D24/210; 362/147, 191, 230, 231, 232, 238,
362/239, 250, 254, 255, 265, 269, 270, 275,
362/277, 278, 280-288, 306, 310, 311, 362,
362/396, 404, 410-414, 418-430, 449, 640,
362/647, 648, 652, 653, 655, 804, 99; 439/122
See application file for complete search history.

(56) **References Cited**

U.S. PATENT DOCUMENTS

1,260,387	A *	3/1918	Johanson	362/348
D239,967	S *	5/1976	Ewing	D26/65
D253,074	S *	10/1979	Wistrand	D28/16
D291,606	S *	8/1987	Ander et al.	D26/128

D309,510	S *	7/1990	Matoba	D28/16
D385,638	S *	10/1997	Bonnette et al.	D26/62
D444,254	S *	6/2001	Minissi et al.	D26/72
7,178,773	B2 *	2/2007	Wedi	248/278.1
D541,456	S *	4/2007	Kosche	D26/63
D547,895	S *	7/2007	Yifei	D26/63

* cited by examiner

Primary Examiner—Cathron C Brooks

Assistant Examiner—Barbara Fox

(74) *Attorney, Agent, or Firm*—Andrew Wilford

(57) **CLAIM**

The ornamental design for a luminaire, as shown and described.

DESCRIPTION

FIG. 1 is an elevational front view of the luminaire according to the invention where the rear portion of the housing is formed with an array of part-spherical cup-shaped recesses;

FIG. 2 is an elevational rear view of the luminaire;

FIG. 3 is a top view of the luminaire;

FIG. 4 is a bottom view of the luminaire;

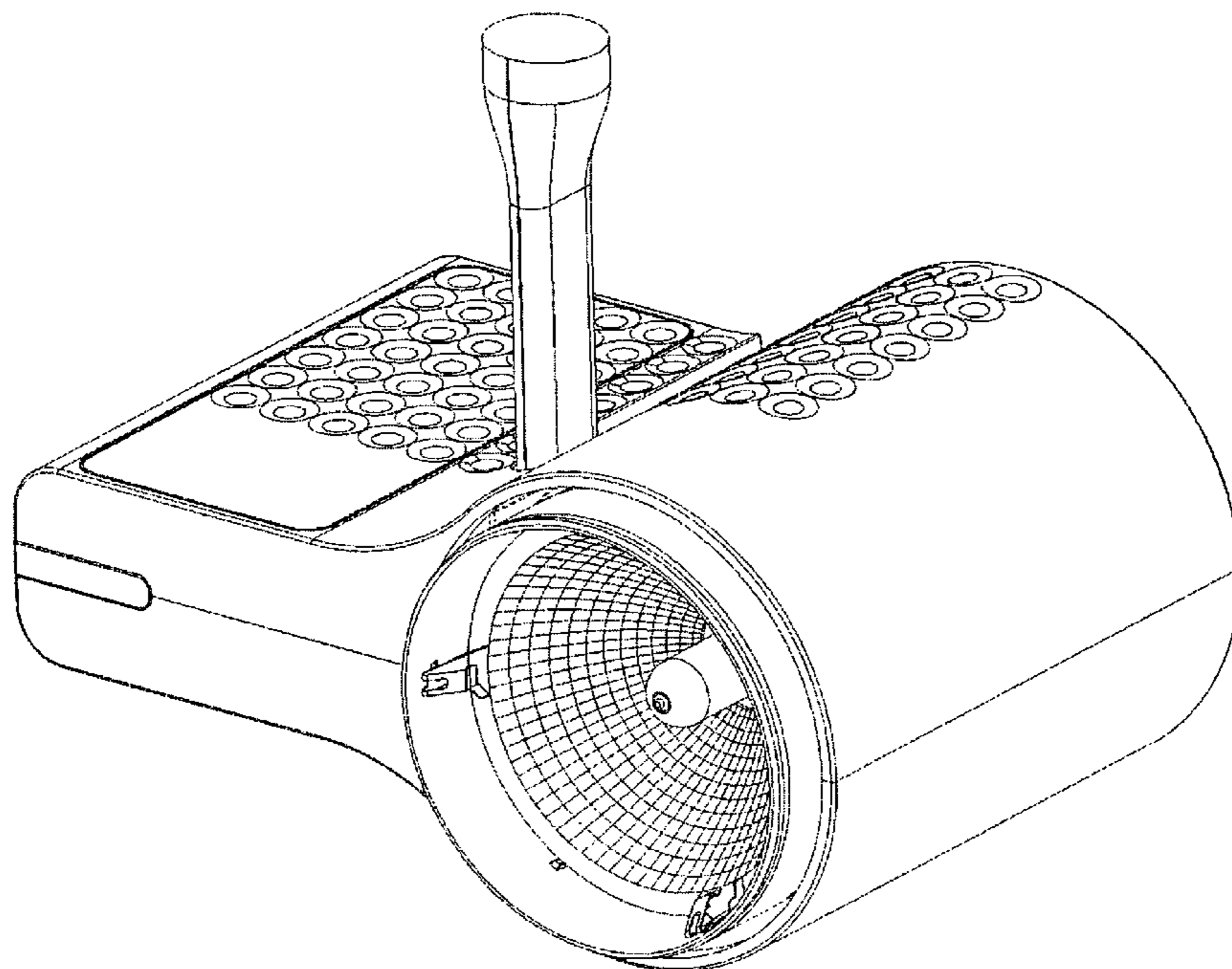
FIG. 5 is a left-side view of the luminaire;

FIG. 6 is a perspective view from above, in front, and to the right of the luminaire; and,

FIG. 7 is a perspective view from below, behind, and to the left of the luminaire.

The broken lines shown in the drawings are for the purpose of illustrating unclaimed portions of the luminaire and form no part of the claimed design.

1 Claim, 7 Drawing Sheets



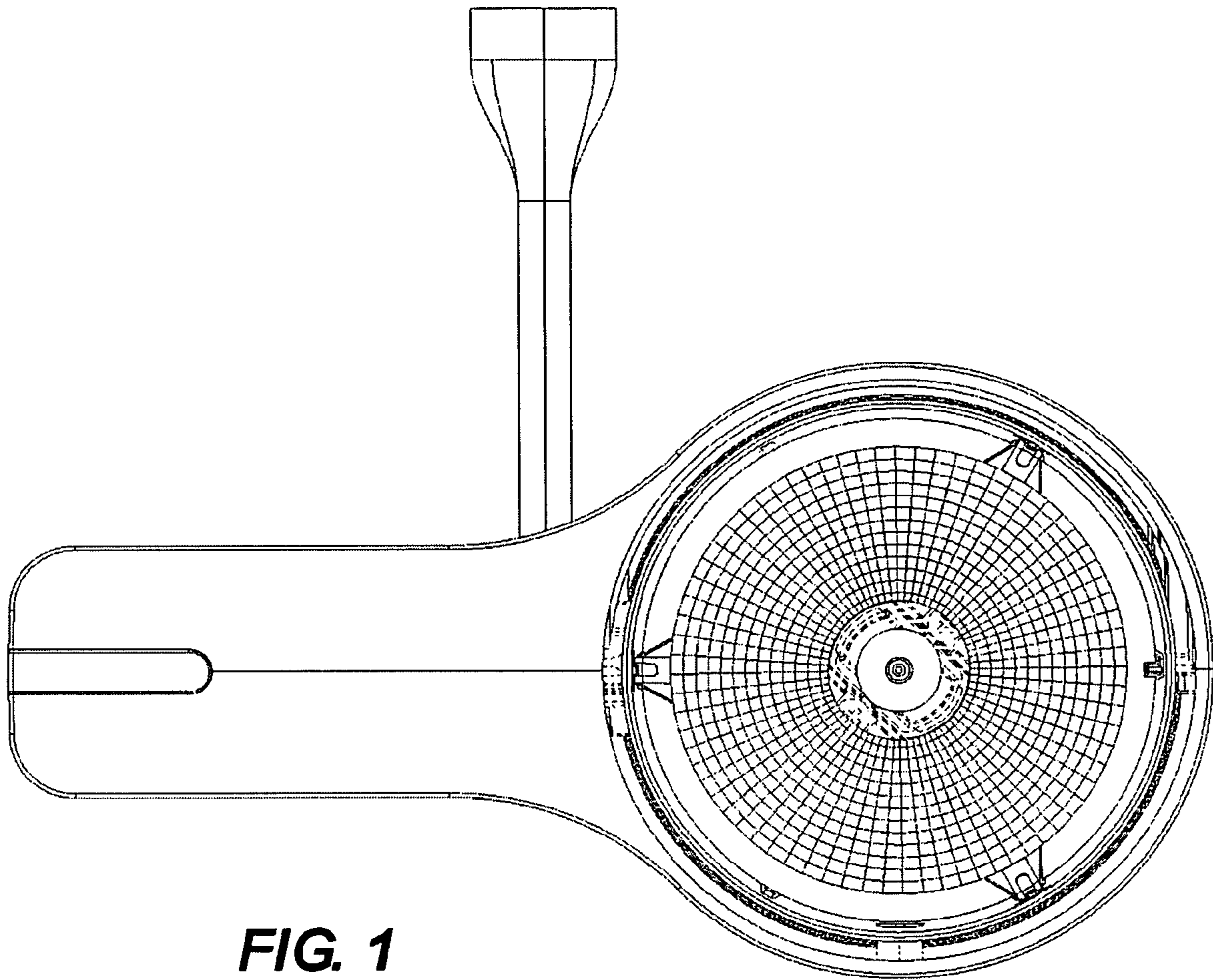


FIG. 1

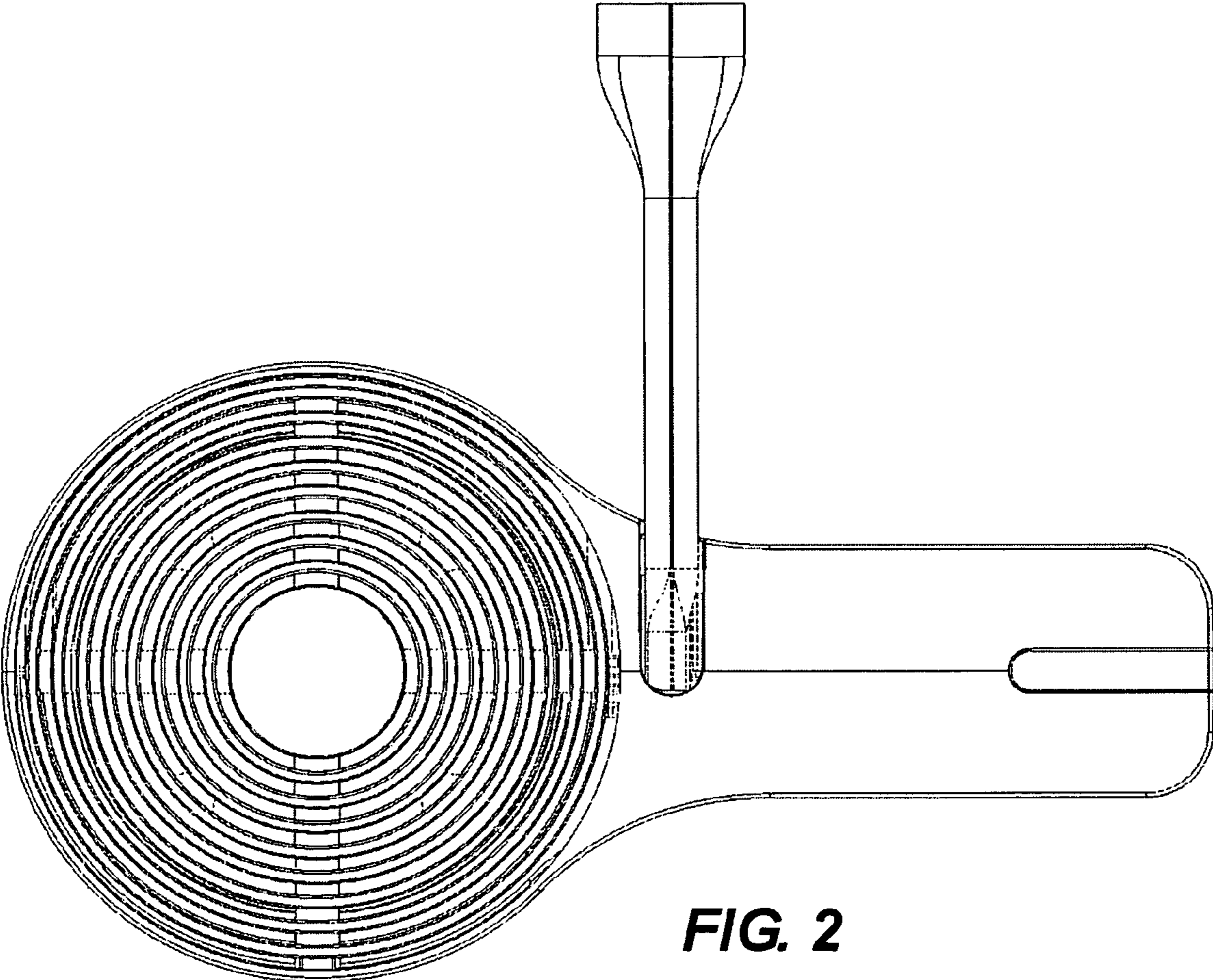


FIG. 2

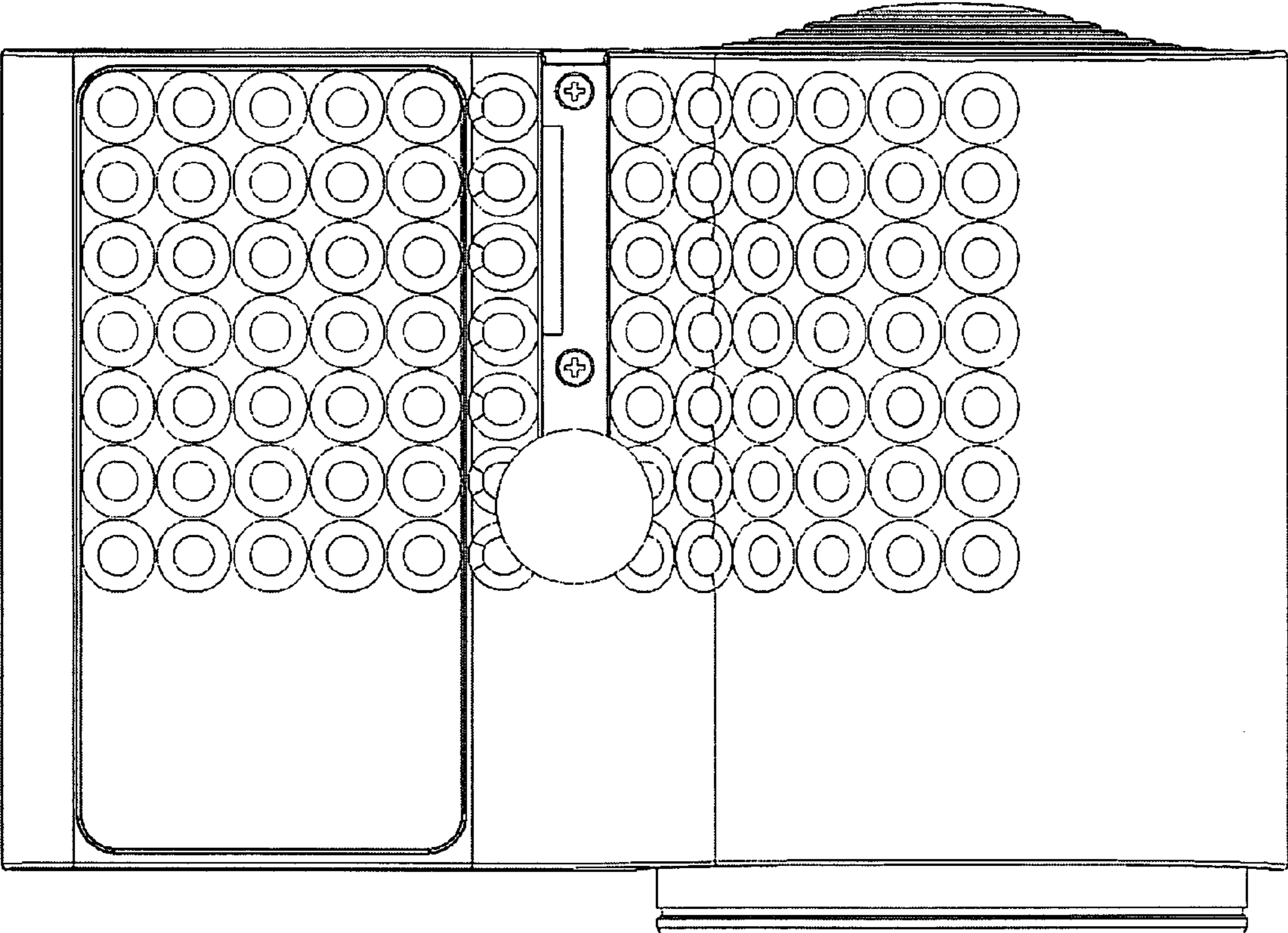


FIG. 3

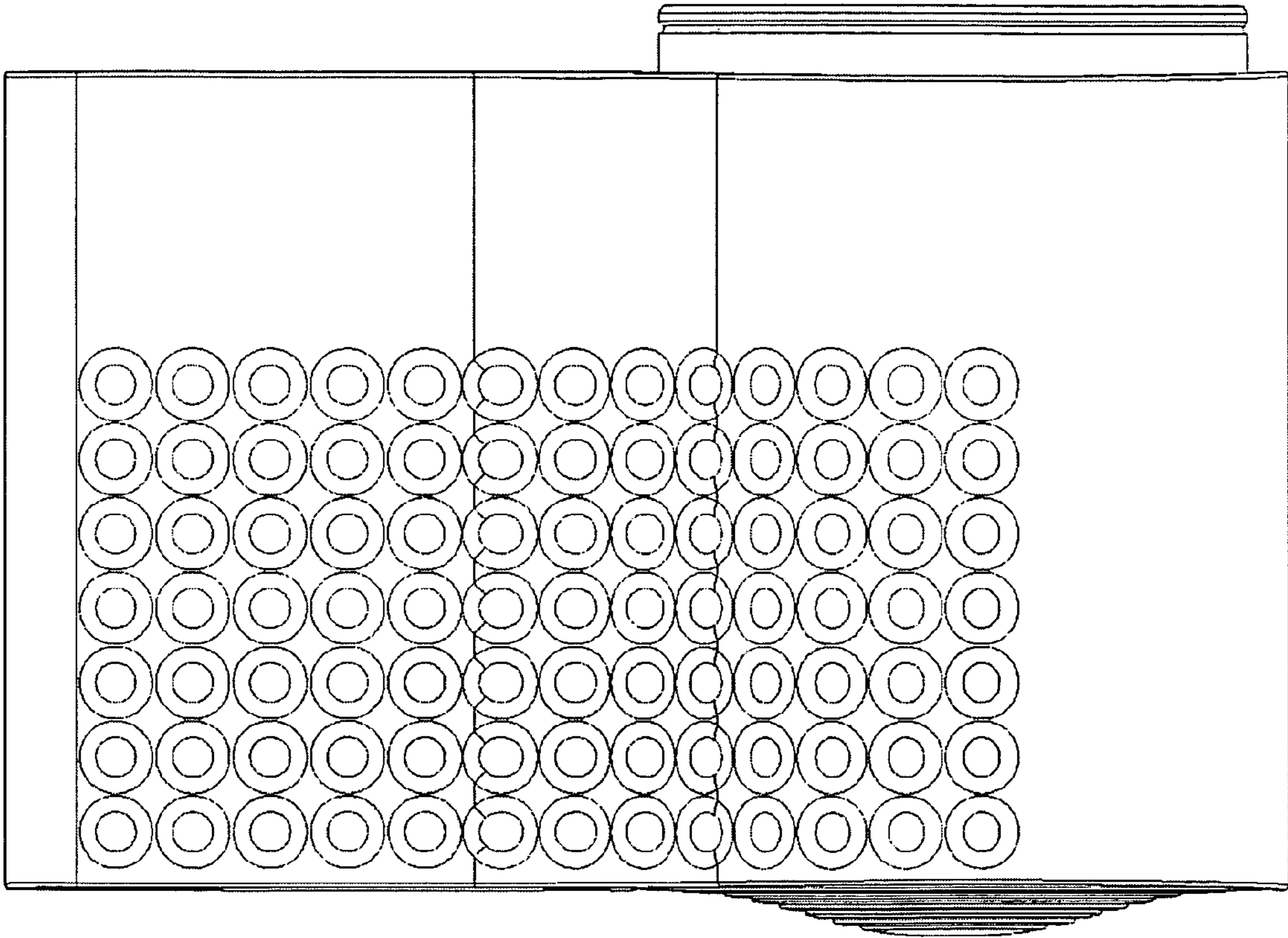


FIG. 4

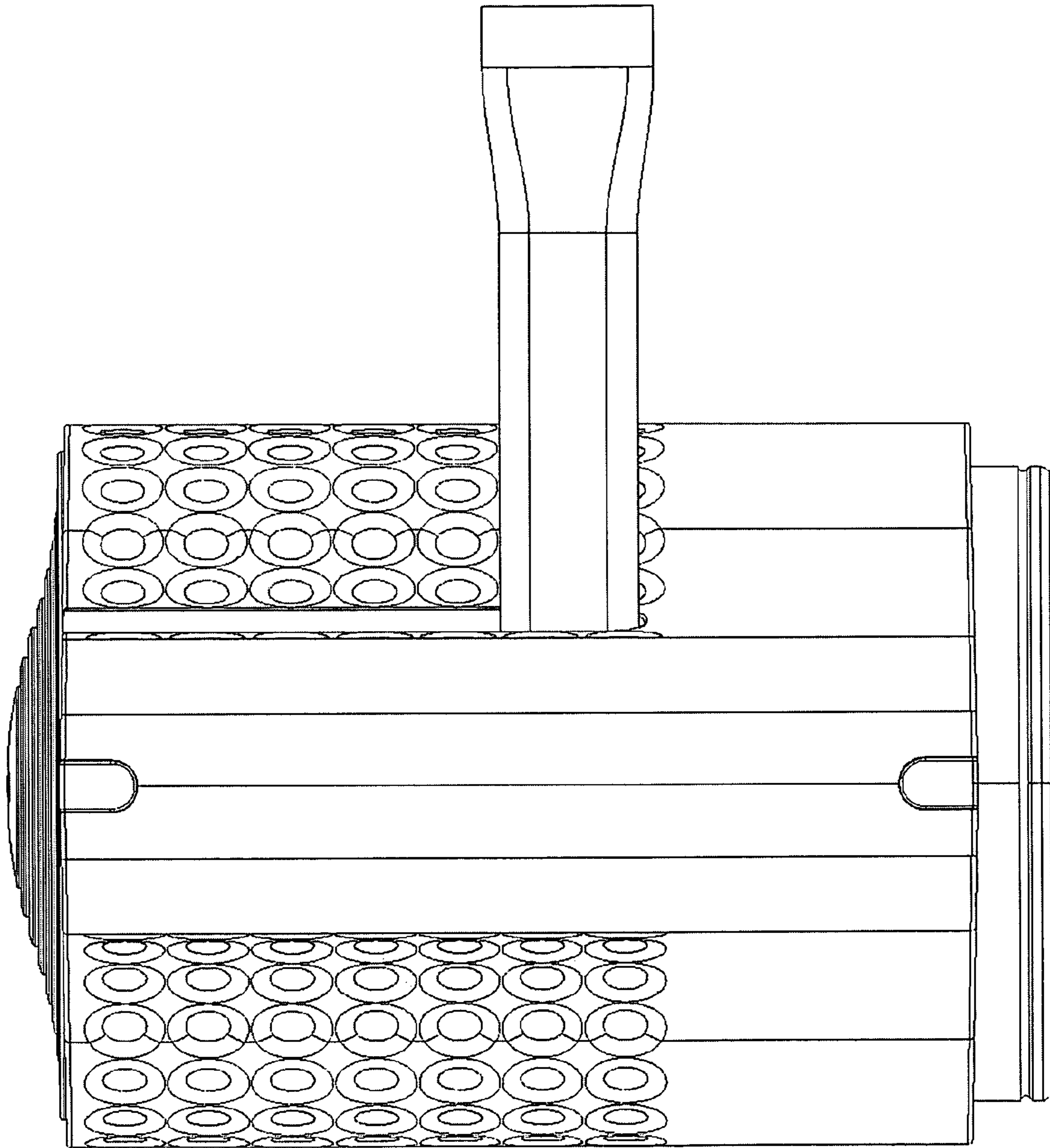


FIG. 5

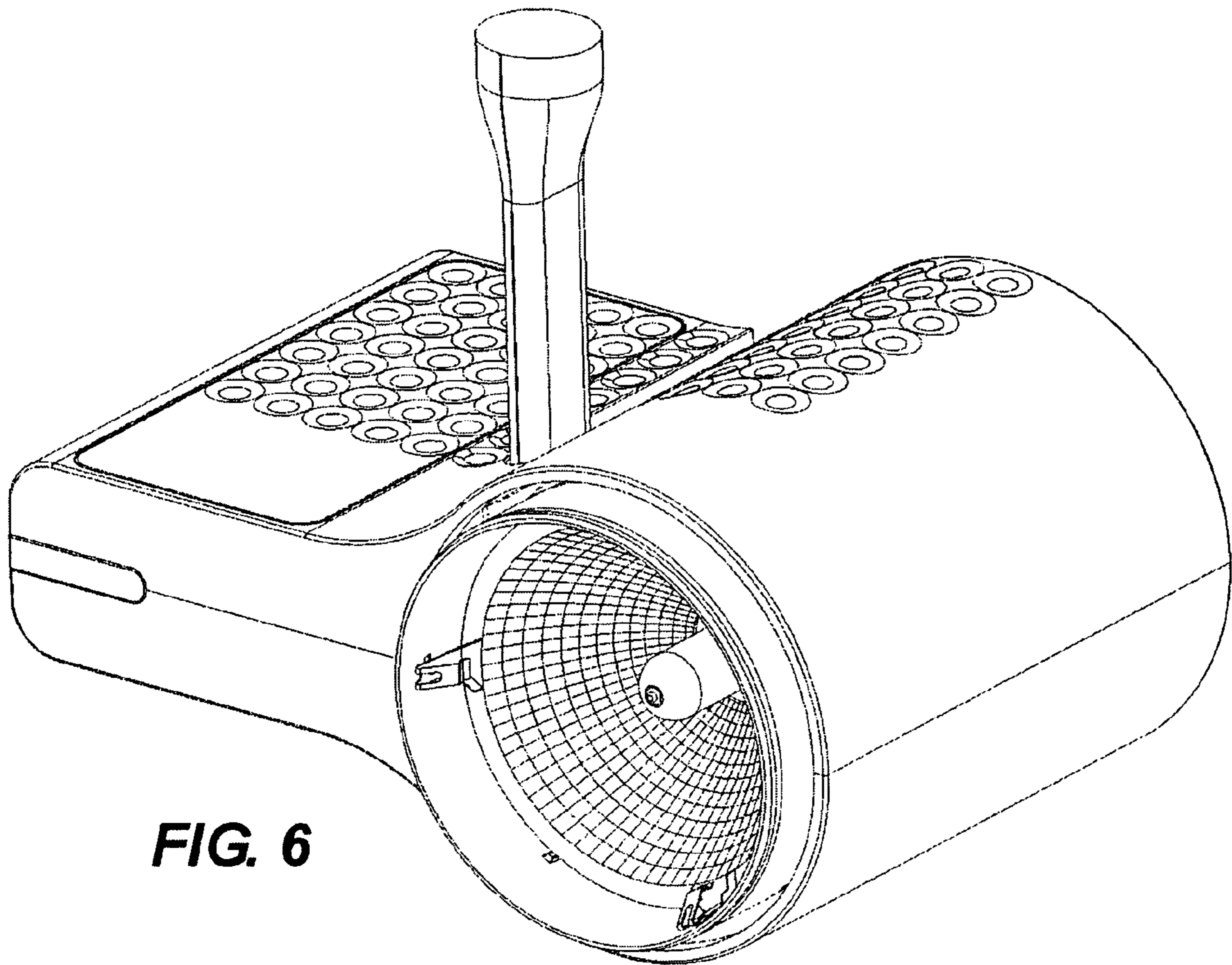


FIG. 6

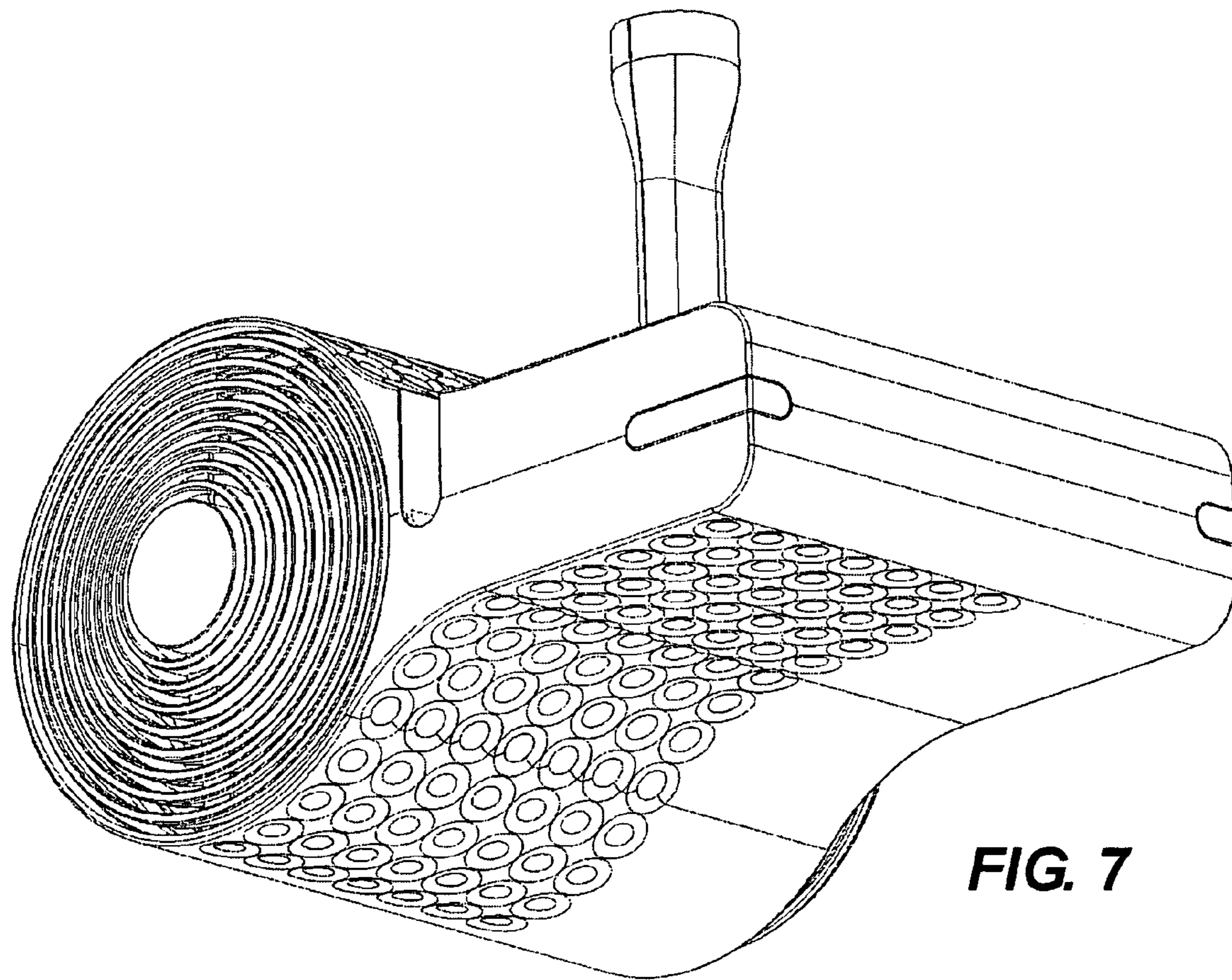


FIG. 7