



US00D598593S

(12) **United States Design Patent**
Kingston et al.

(10) **Patent No.:** **US D598,593 S**

(45) **Date of Patent:** **** Aug. 18, 2009**

(54) **LIGHTING DEVICE**

(75) Inventors: **Ronald J. Kingston**, Syracuse, NY (US); **Scott W. Osiecki**, Skaneateles, NY (US); **David A. Spartano**, Brunswick, OH (US)

(73) Assignee: **Eveready Battery Co., Inc.**, St. Louis, MO (US)

(**) Term: **14 Years**

(21) Appl. No.: **29/321,035**

(22) Filed: **Jul. 9, 2008**

(51) **LOC (9) Cl.** **26-02**

(52) **U.S. Cl.** **D26/39; D26/37**

(58) **Field of Classification Search** D26/37,
D26/46, 40, 38, 41, 39; 362/103-106, 157,
362/158, 183-186, 190, 194-208

See application file for complete search history.

(56) **References Cited**

U.S. PATENT DOCUMENTS

D360,481 S *	7/1995	Hung	D26/46
5,658,065 A	8/1997	Jamieson		
6,206,543 B1	3/2001	Henry		
6,449,893 B2	9/2002	Spinner		
6,979,099 B2	12/2005	Harris, Jr. et al.		
D541,965 S	5/2007	Shiu		
D544,119 S *	6/2007	Ding et al.	D26/37
D544,619 S *	6/2007	Lee	D26/37
D544,975 S *	6/2007	Lee	D26/37
D548,385 S	8/2007	Sharrah et al.		
D550,386 S *	9/2007	Lee	D26/37
D554,783 S	11/2007	Shiu		
D560,296 S *	1/2008	Lee	D26/37
D564,111 S *	3/2008	Hillard	D26/39

D569,023 S *	5/2008	Lee	D26/60
D576,327 S *	9/2008	Kingston et al.	D26/39
2007/0159809 A1	7/2007	Kim et al.		
2007/0159810 A1	7/2007	Kim		

OTHER PUBLICATIONS

SureFire Helmet Light HL1-A-TN, www.surefire.com, 2 pages, © SureFire, LLC 2001-2008.

Back Trails Safety Light Pack, www.ebay.com, and photographs of light and mount, 5 pages., dated Mar. 31, 2008.

Streamlight® Sidewinder® Tactical LED Flashlight, www.streamlight-flashlights.com, 1 page, © Streamlight 2008.

* cited by examiner

Primary Examiner—Ian Simmons

Assistant Examiner—Carissa C Fitts

(74) *Attorney, Agent, or Firm*—Gregory J. Adams

(57) **CLAIM**

We claim the ornamental design for a lighting device, as shown and described.

DESCRIPTION

FIG. 1 is a front perspective view of a lighting device, showing our new design;

FIG. 2 is a front view thereof;

FIG. 3 is a left side view thereof;

FIG. 4 is a rear view thereof;

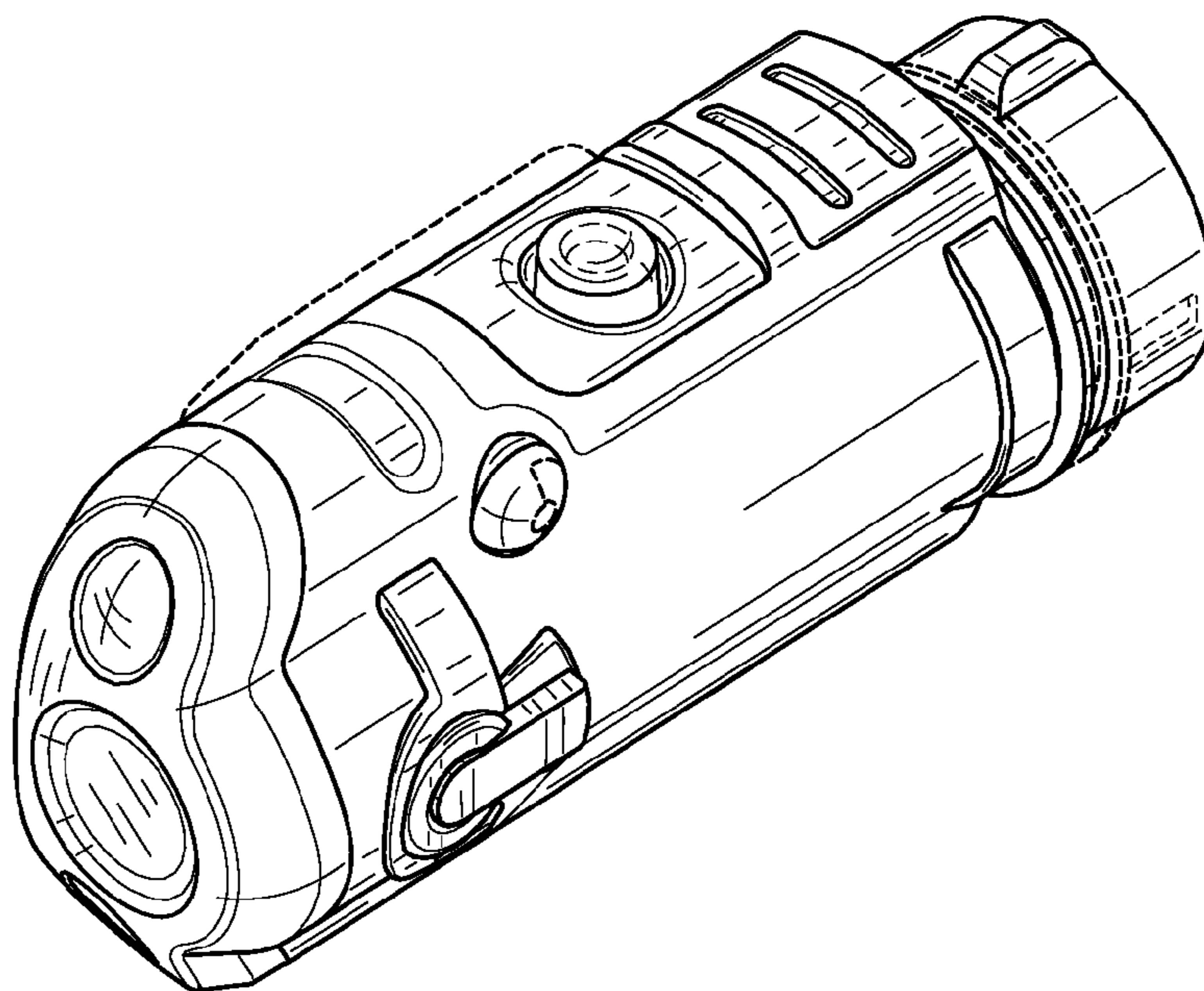
FIG. 5 is a right side view thereof;

FIG. 6 is a top view thereof; and,

FIG. 7 is a bottom view thereof.

The broken line showing is superimposed on the continuous surface of the claimed design, is for illustrative purposes only, and forms no part of the claimed design.

1 Claim, 3 Drawing Sheets



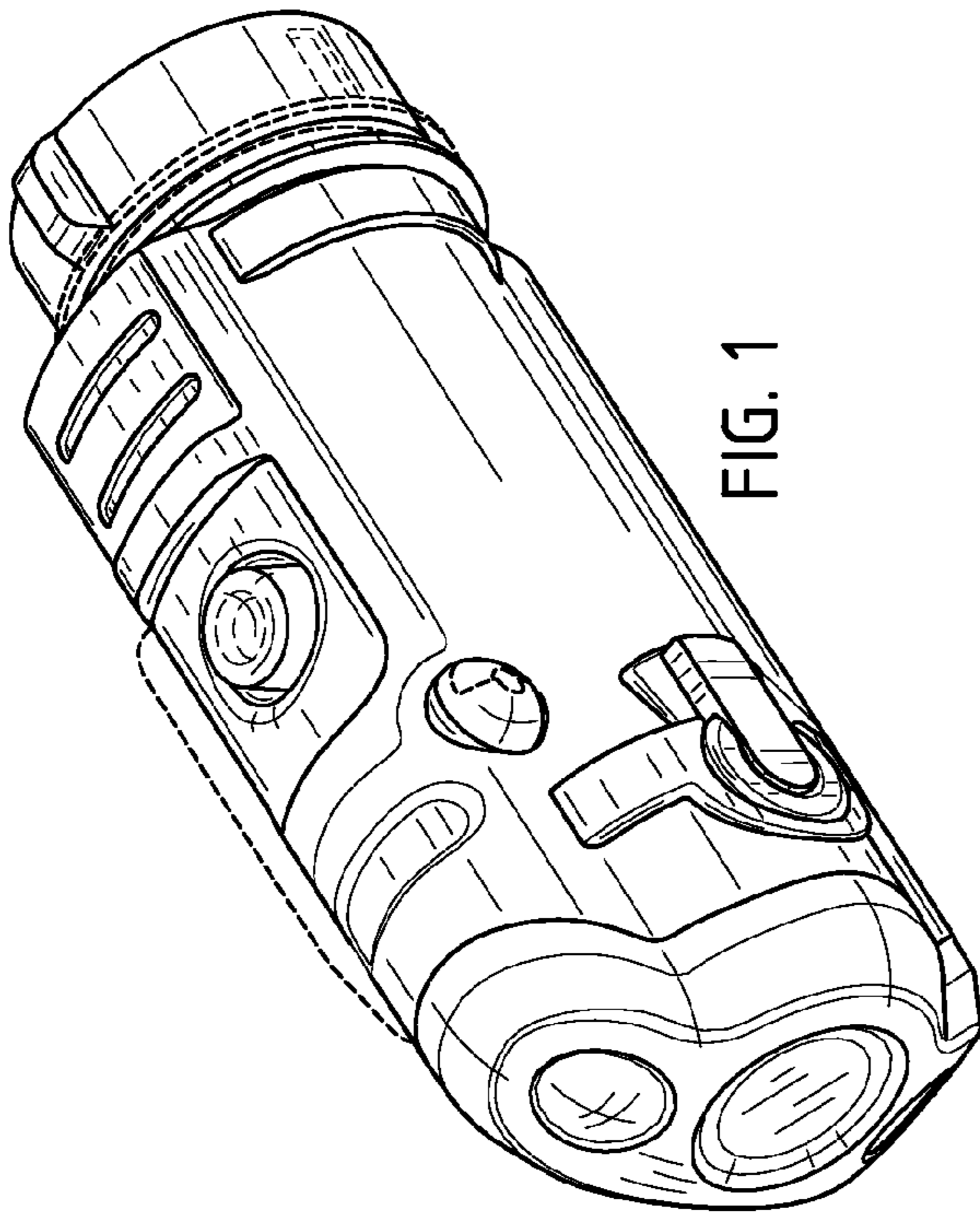


FIG. 1

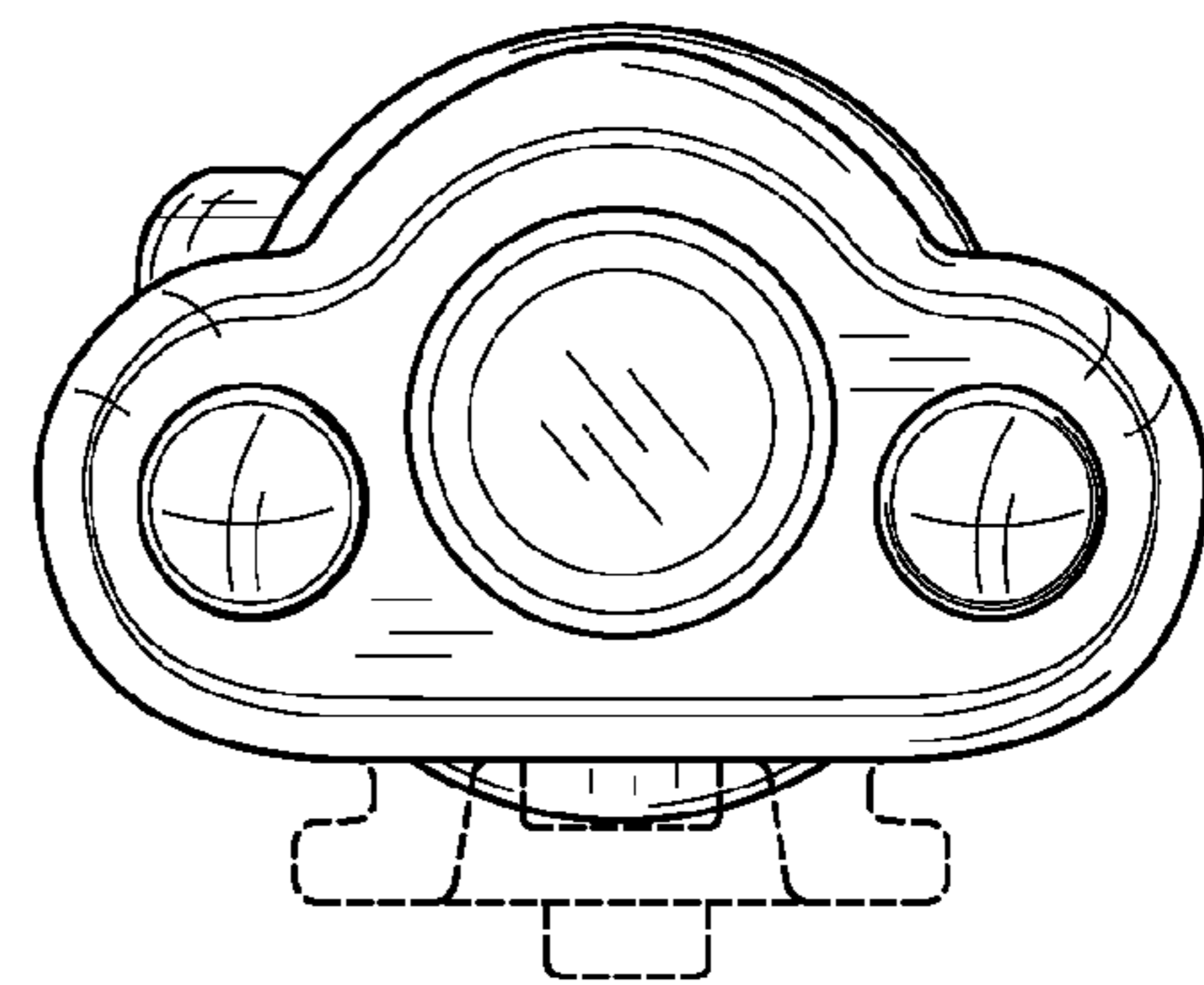


FIG. 2

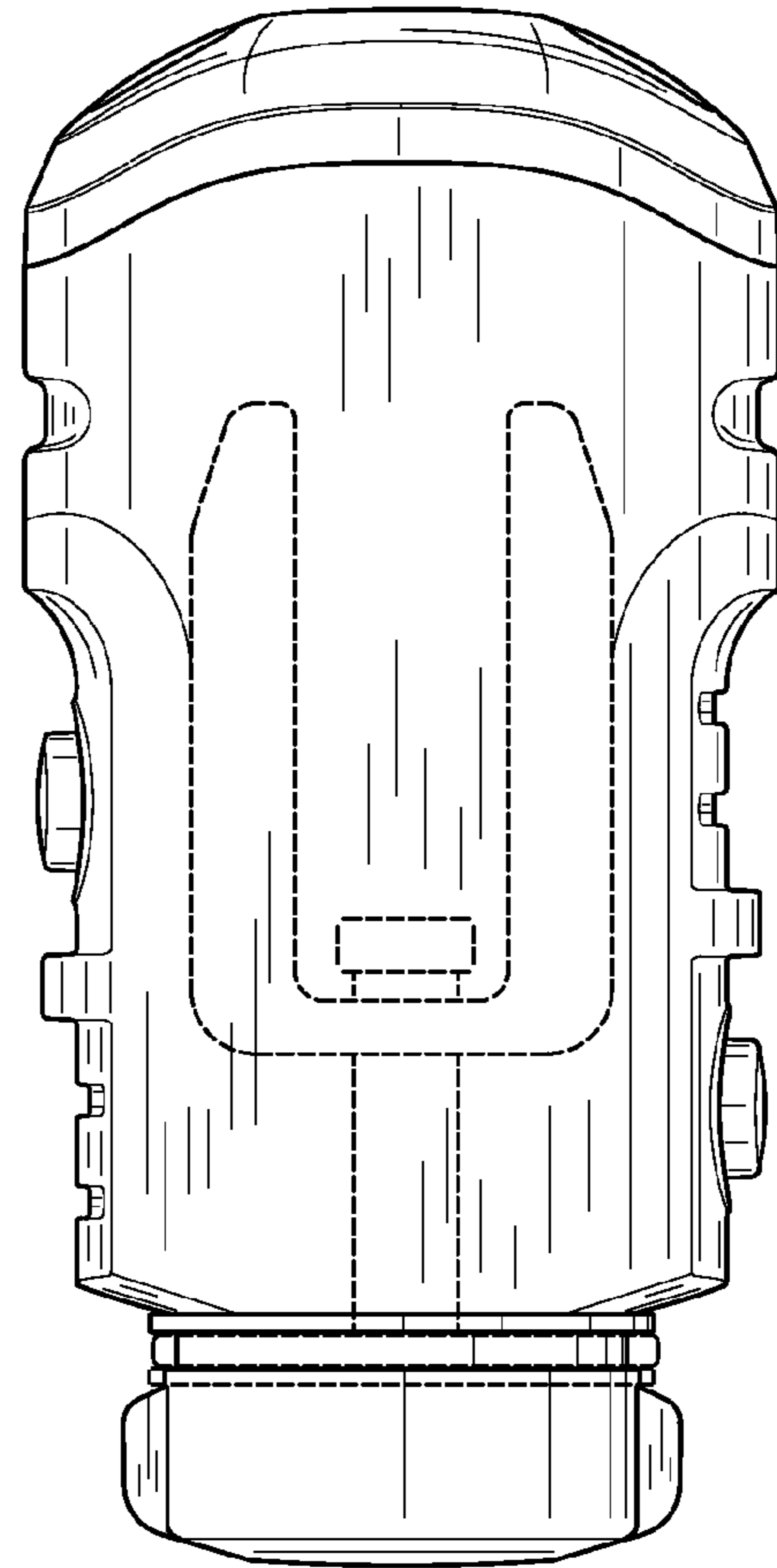


FIG. 3

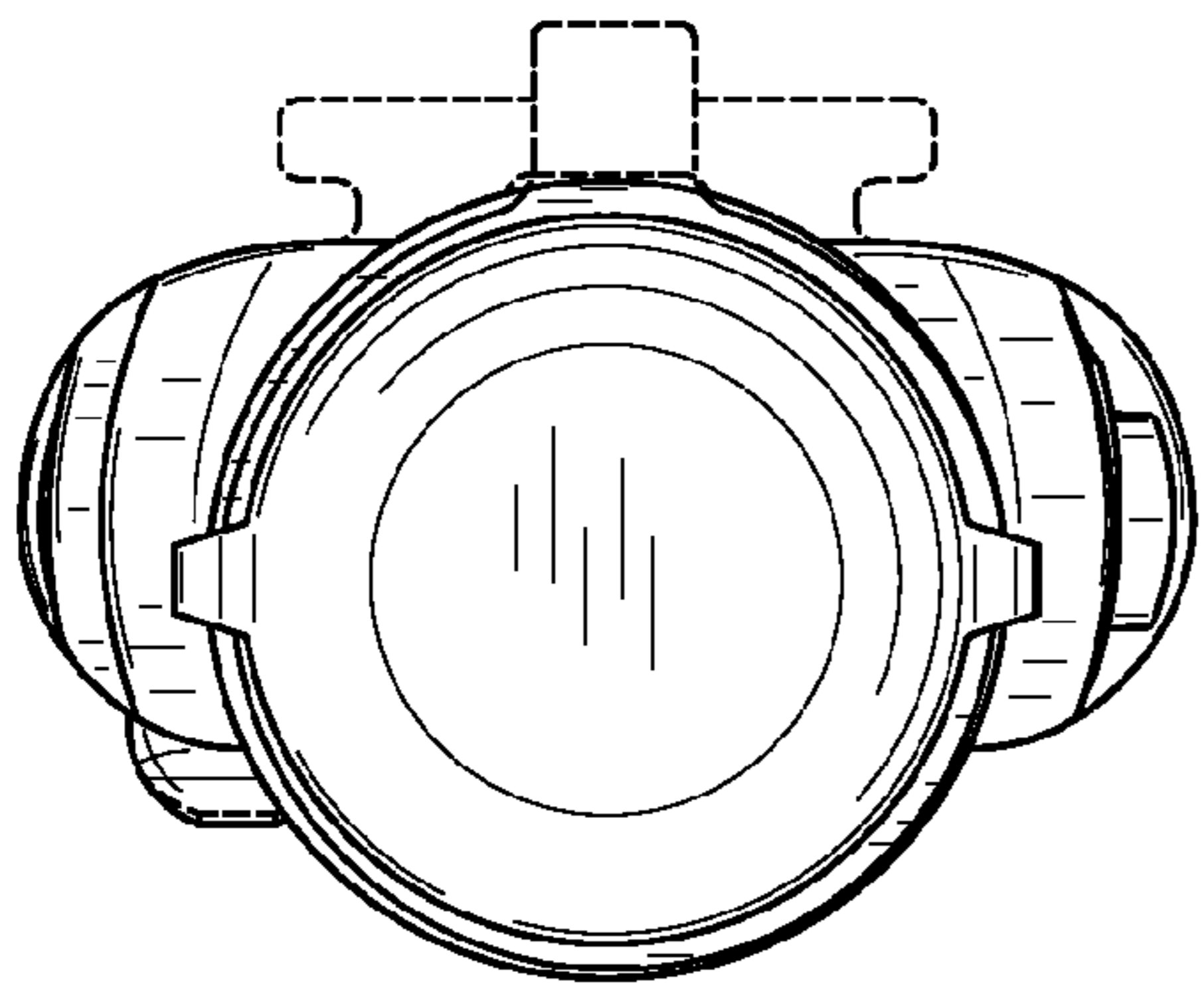


FIG. 4

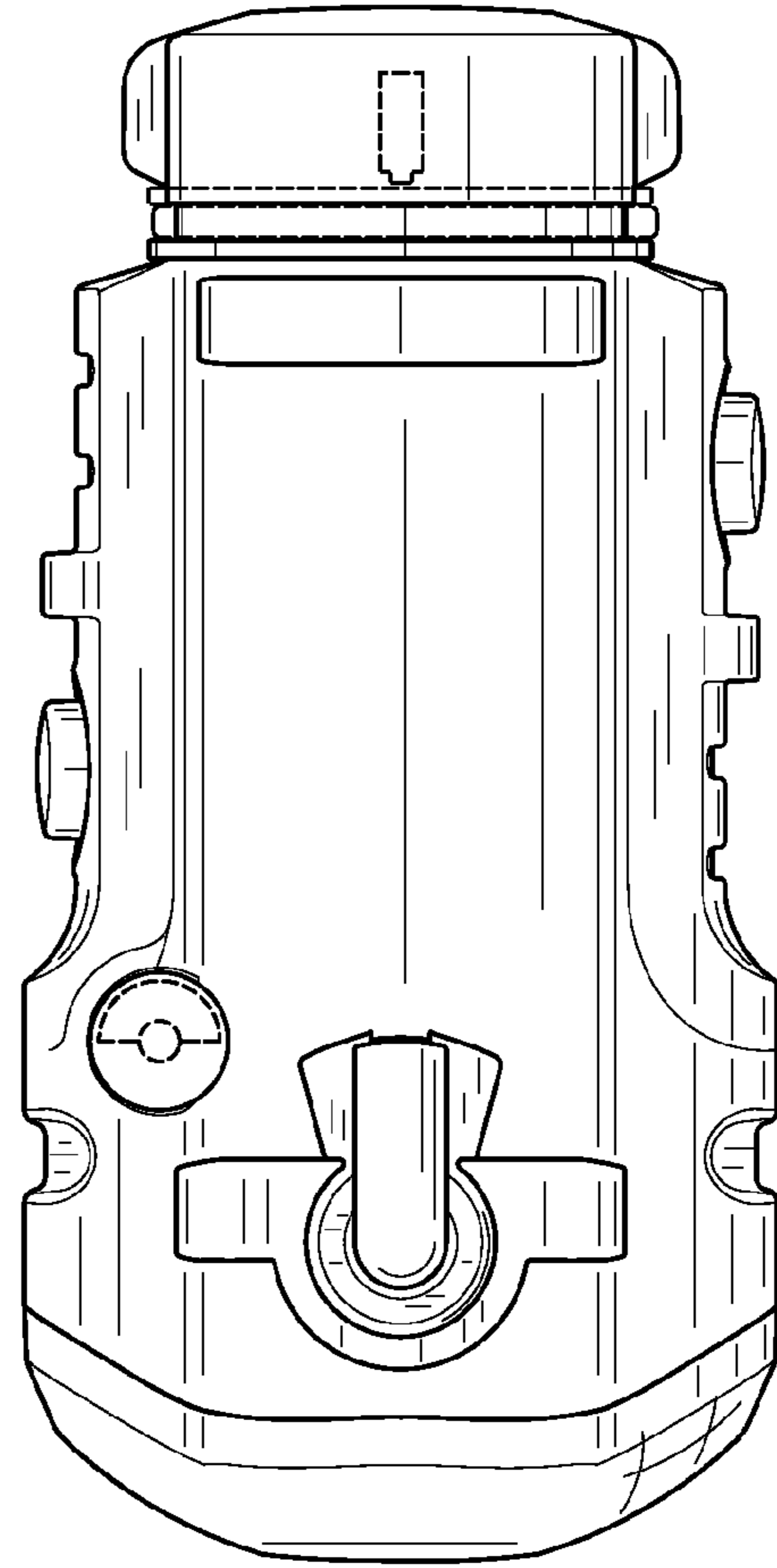


FIG. 5

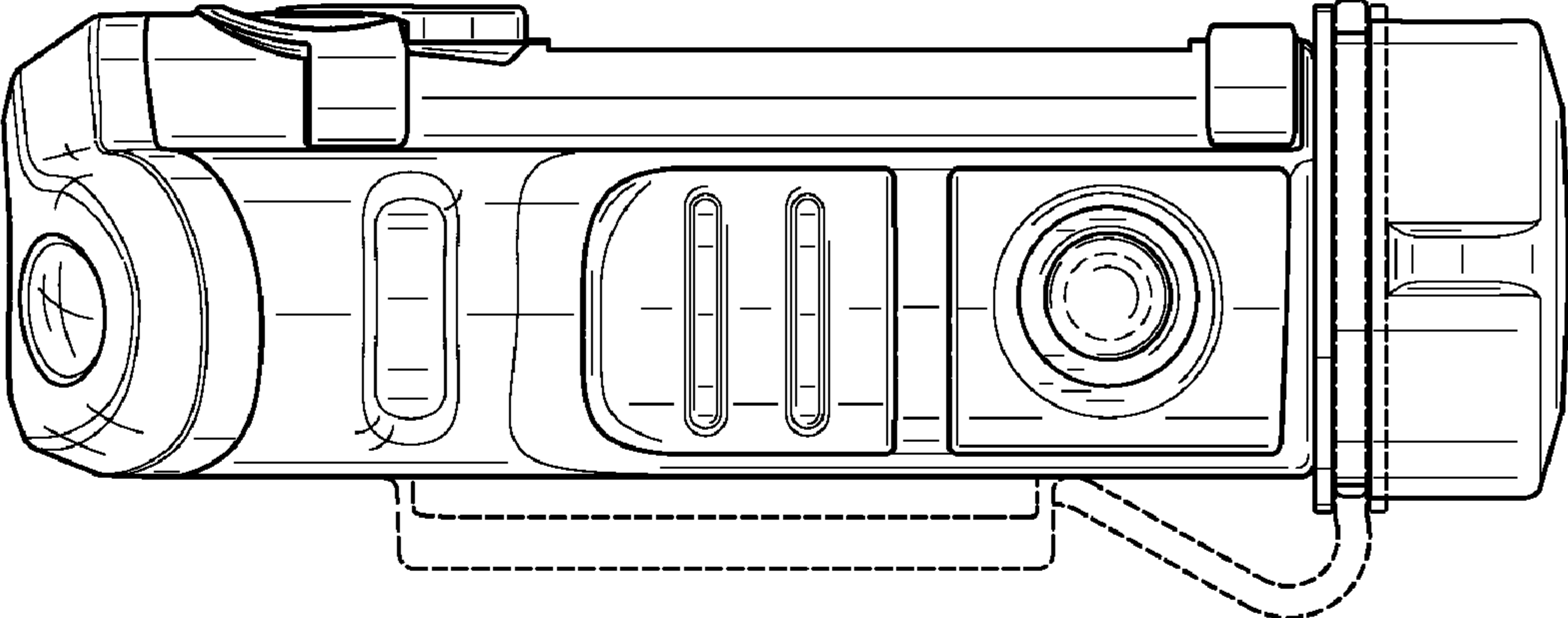


FIG. 7

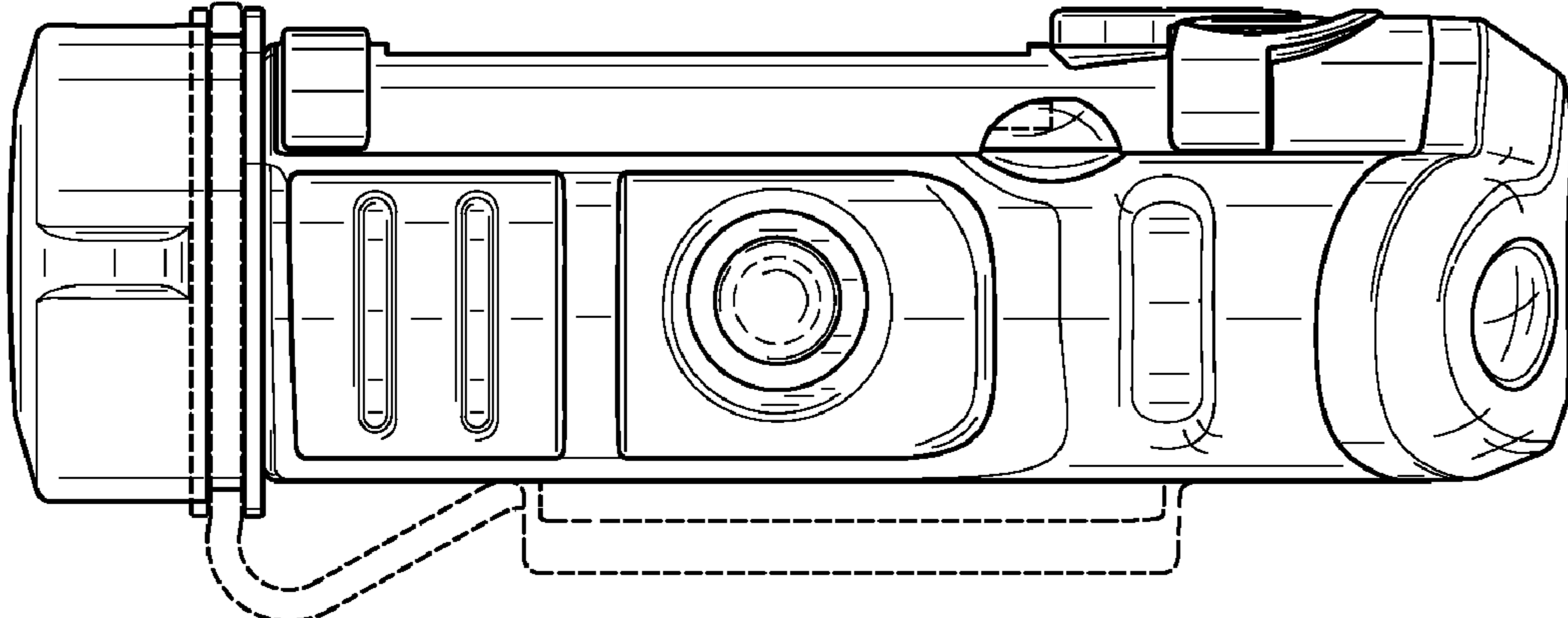


FIG. 6