



US00D598590S

(12) **United States Design Patent**
Okamoto et al.

(10) **Patent No.:** **US D598,590 S**

(45) **Date of Patent:** **** Aug. 18, 2009**

(54) **HEADLAMP FOR VEHICLE**

(75) Inventors: **Mai Okamoto**, Sagamihara (JP); **Gou Kasai**, Atsugi (JP)

(73) Assignee: **Nissan Motor Co., Ltd.**, Yokohama-shi (JP)

(**) Term: **14 Years**

(21) Appl. No.: **29/332,223**

(22) Filed: **Feb. 11, 2009**

(30) **Foreign Application Priority Data**

Sep. 1, 2008 (JP) 2008-022412

(51) **LOC (9) Cl.** **26-06**

(52) **U.S. Cl.** **D26/28**

(58) **Field of Classification Search** D26/28-36;
362/459-468, 475-478, 485-487

See application file for complete search history.

(56) **References Cited**

U.S. PATENT DOCUMENTS

D536,113 S * 1/2007 Pfeiffer D26/28

D537,180 S * 2/2007 Hsu D26/28

D556,349 S * 11/2007 Golden et al. D26/28

* cited by examiner

Primary Examiner—Marcus A. Jackson

(74) *Attorney, Agent, or Firm*—Foley & Lardner LLP

(57) **CLAIM**

The ornamental design for a headlamp for vehicle, as shown and described.

DESCRIPTION

FIG. 1 is a perspective view of a headlamp for vehicle;

FIG. 2 is a front view thereof;

FIG. 3 is a rear view thereof;

FIG. 4 is a top plan view thereof;

FIG. 5 is a bottom plan view thereof;

FIG. 6 is a left side view thereof;

FIG. 7 is a right side view thereof;

FIG. 8 is a perspective view thereof showing the article with its outer lens removed; and,

FIG. 9 is a referential perspective view thereof showing the surface contour of the outer lens by curved lines; and,

FIG. 10 is a referential perspective view thereof showing the article with its outer lens removed and showing the inner configuration by curved lines

1 Claim, 5 Drawing Sheets

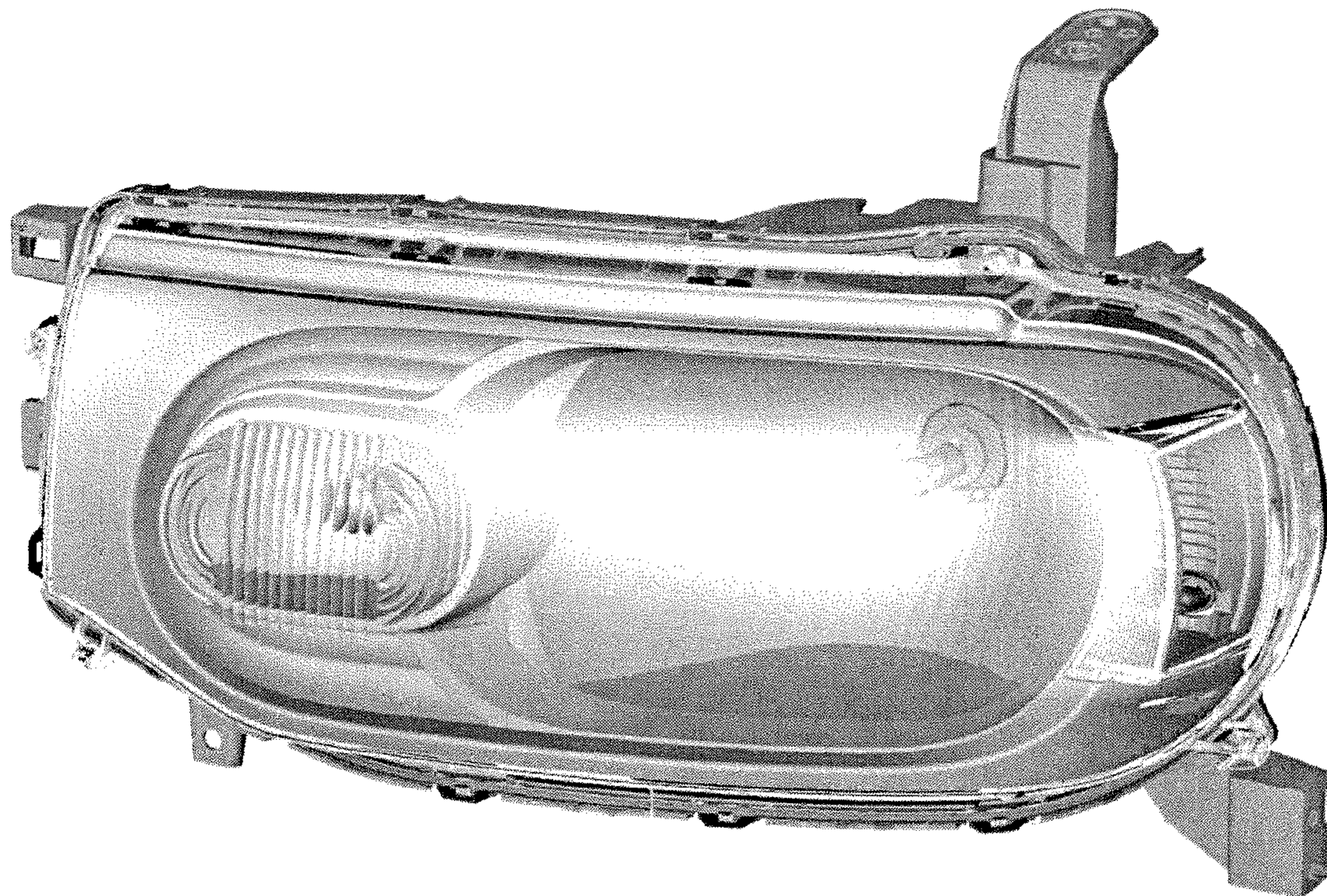


Fig.1

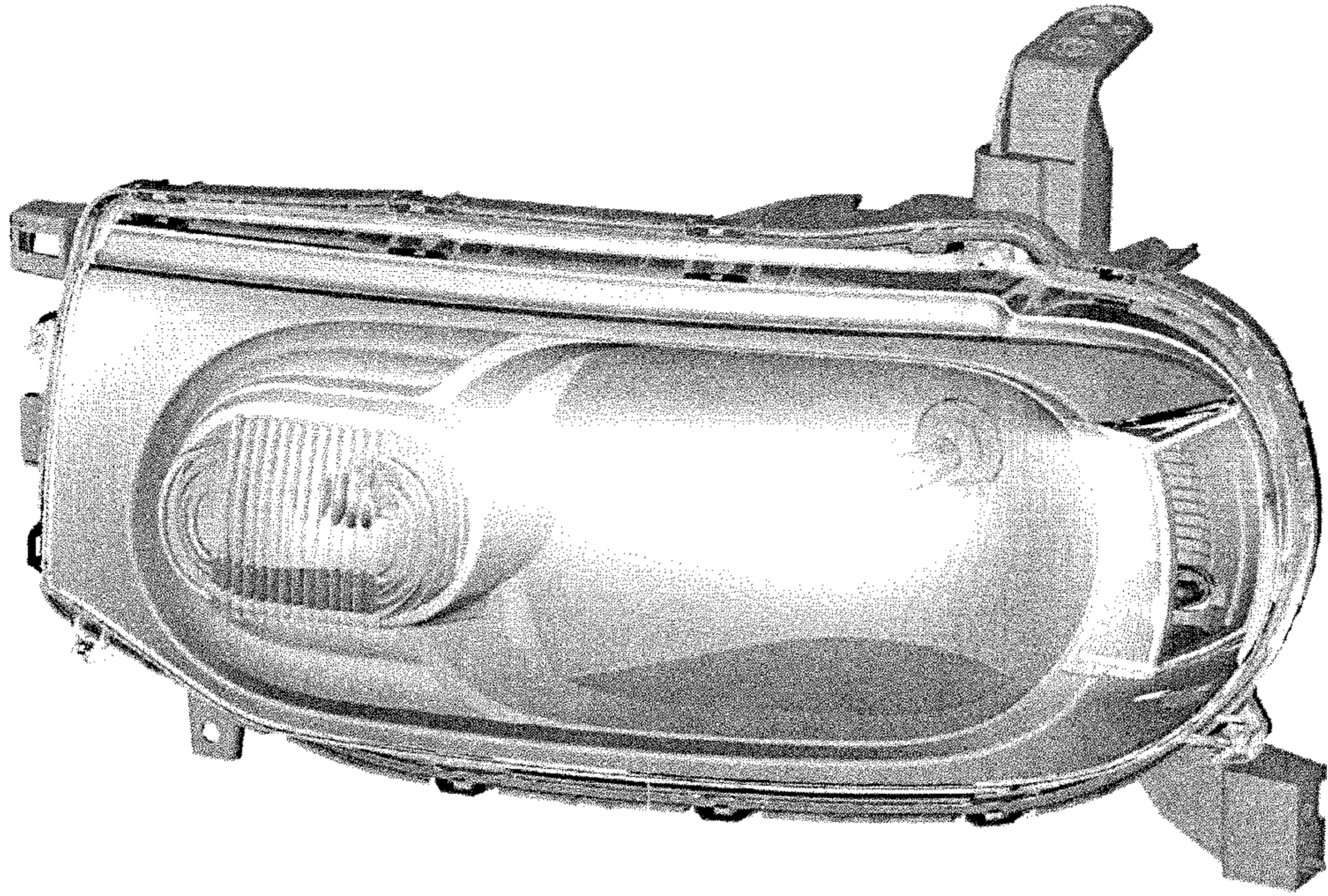


Fig.2

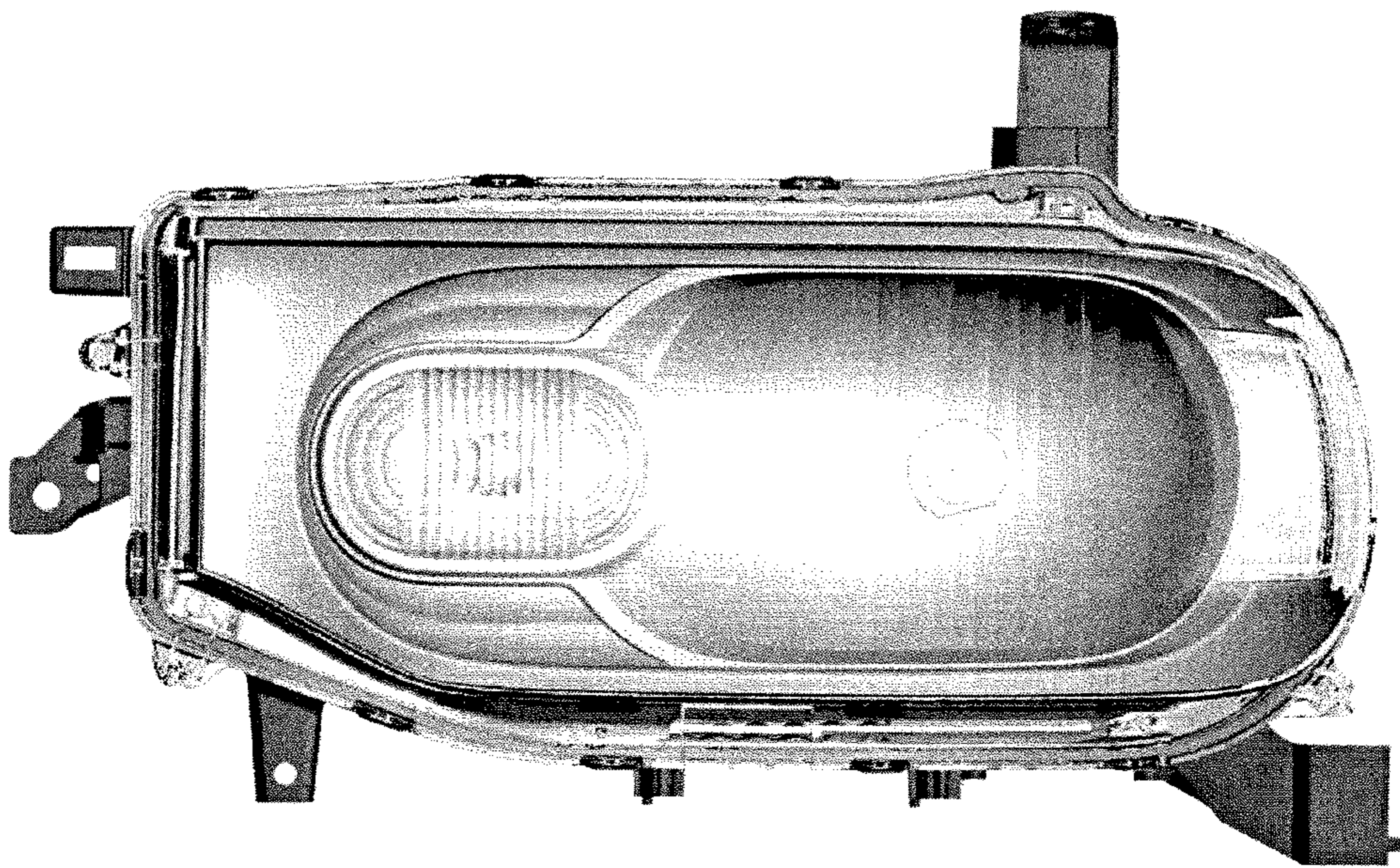


Fig.3

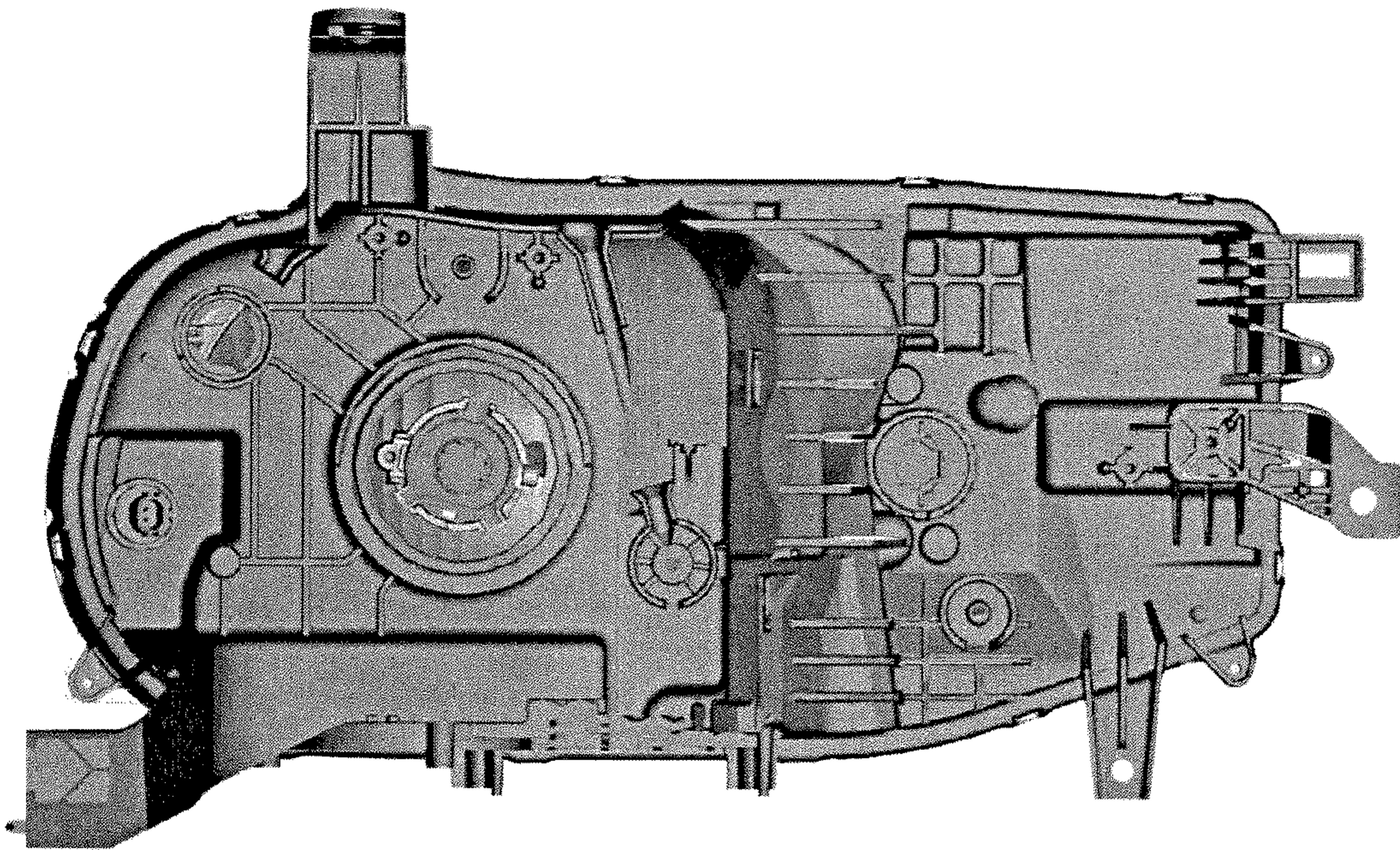


Fig.4

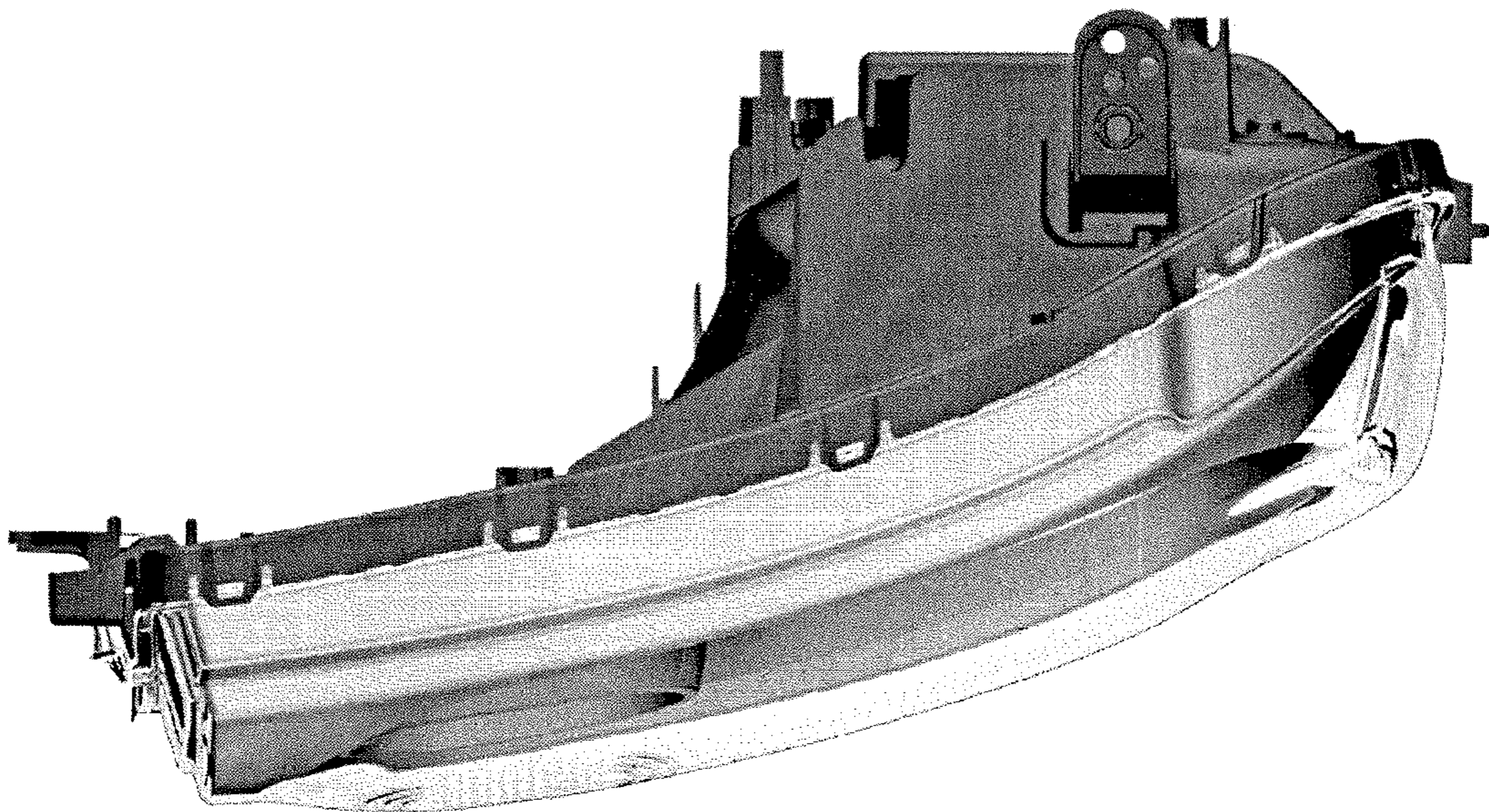


Fig.5

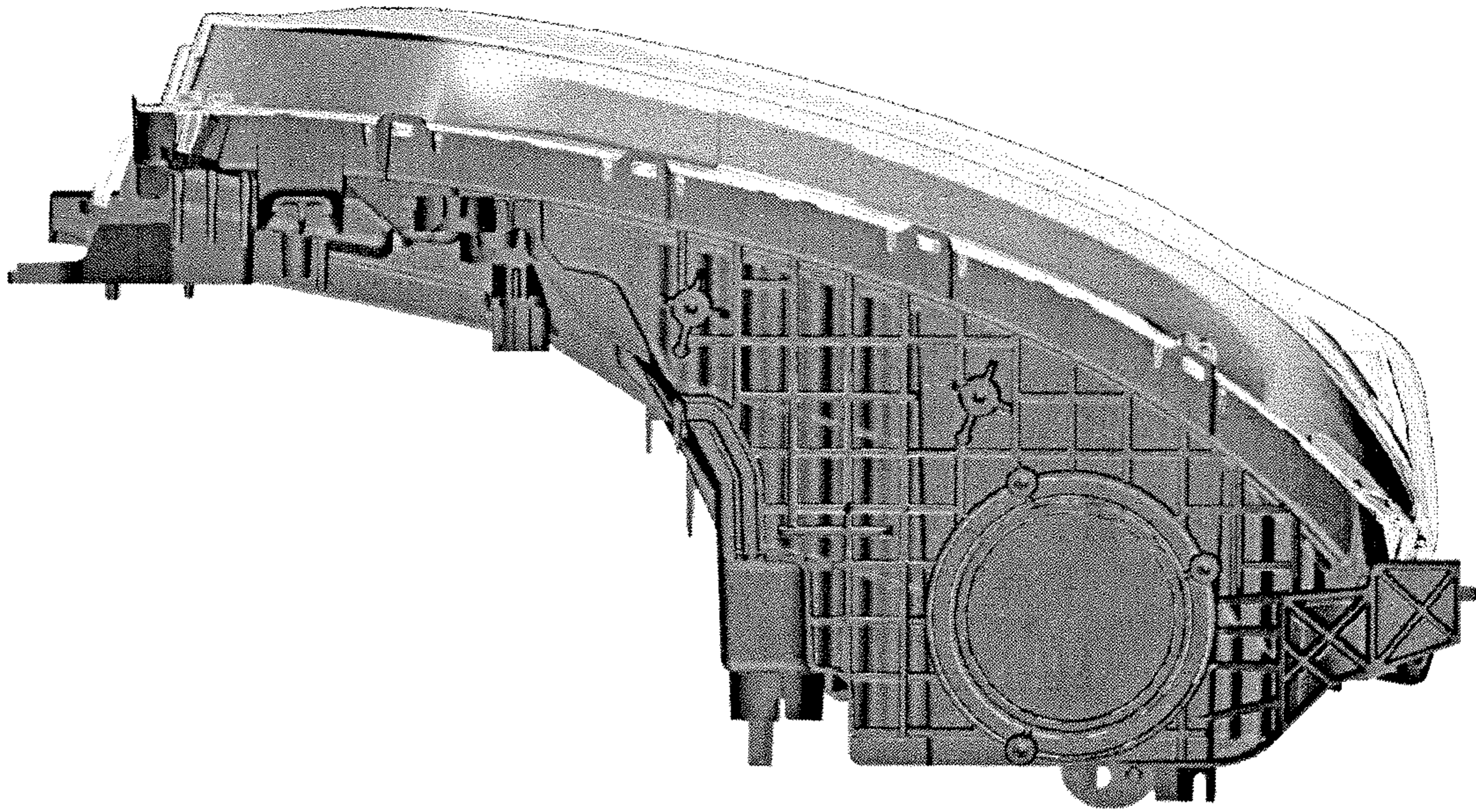


Fig.6

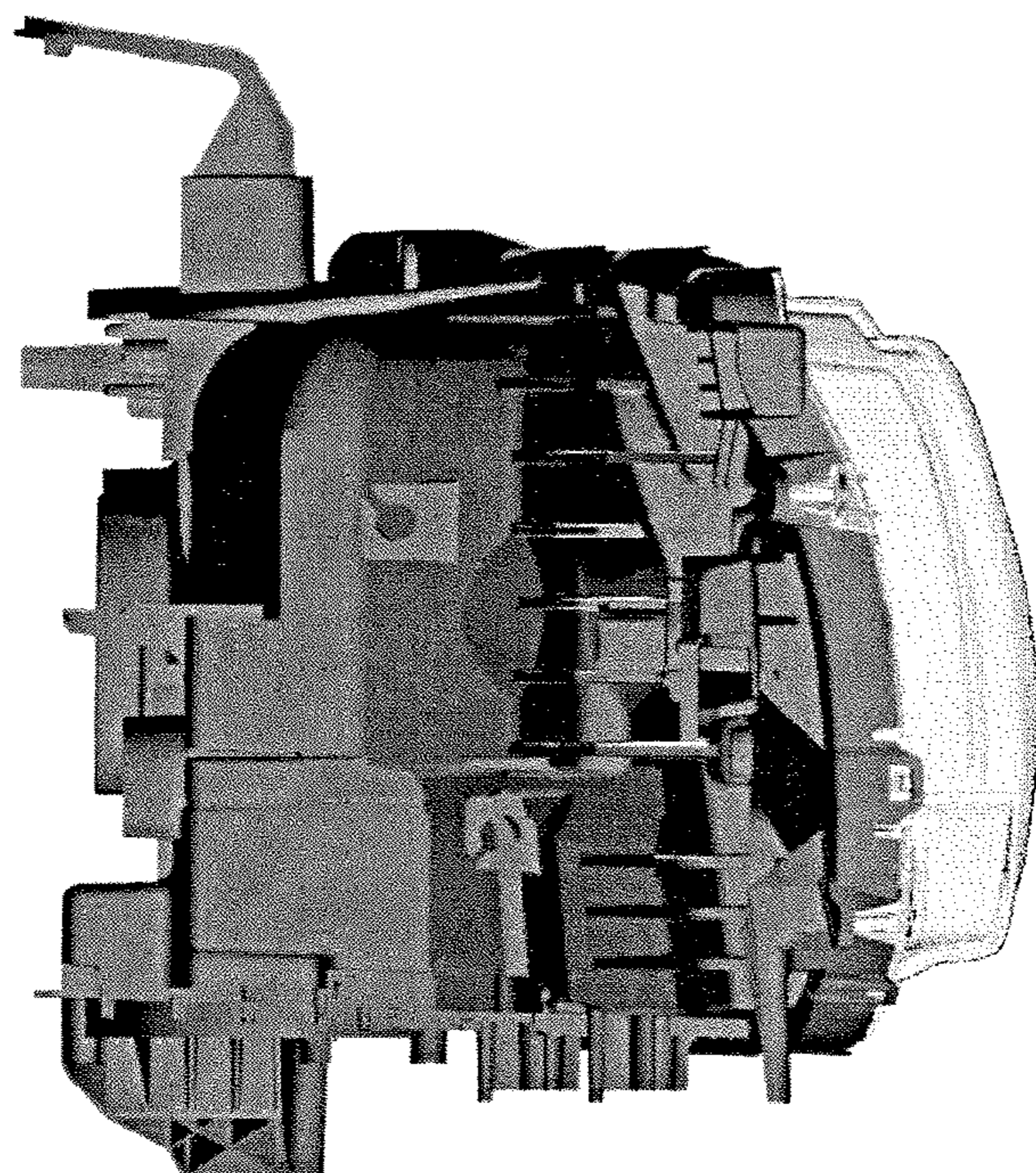


Fig.7

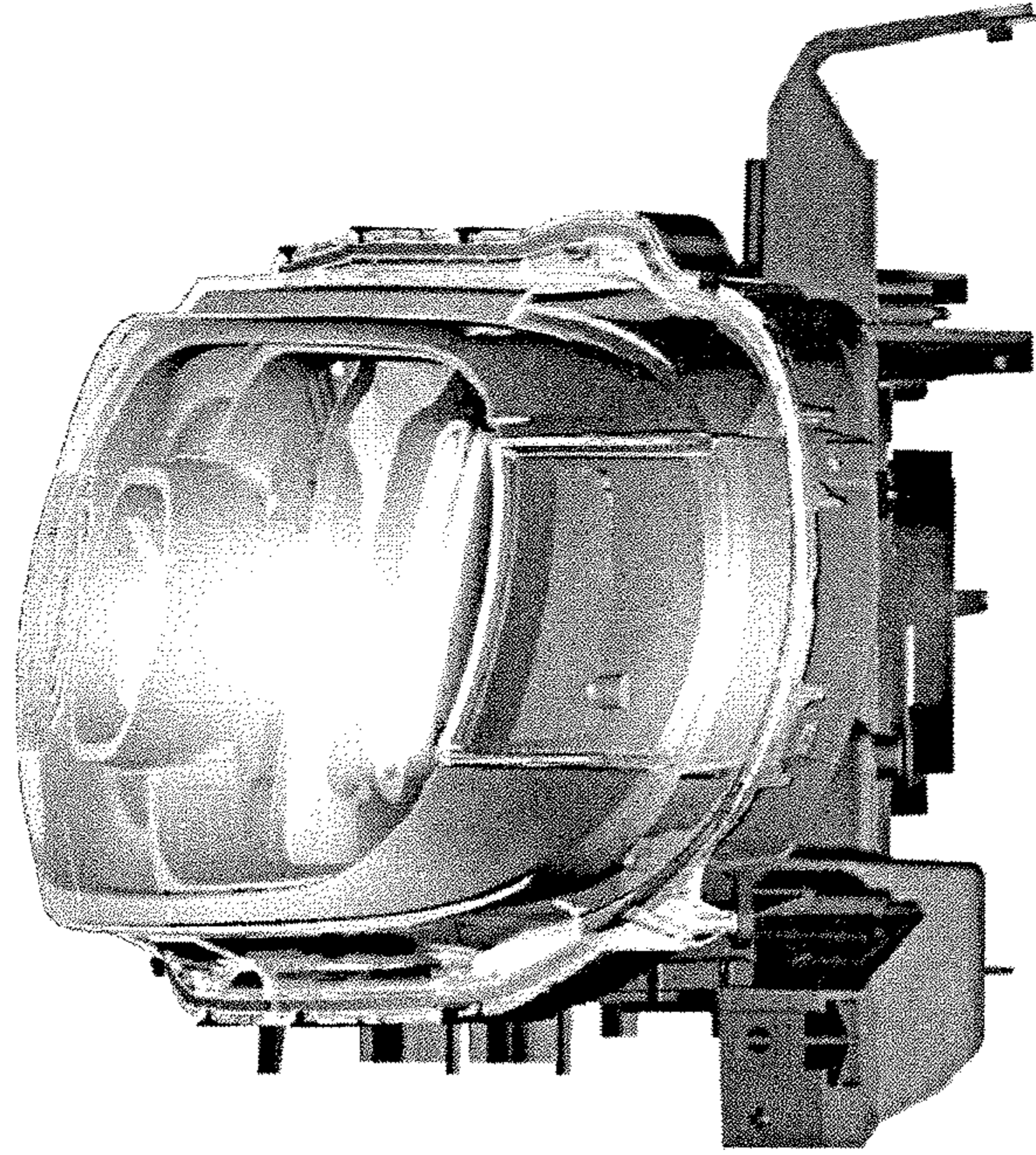


Fig.8

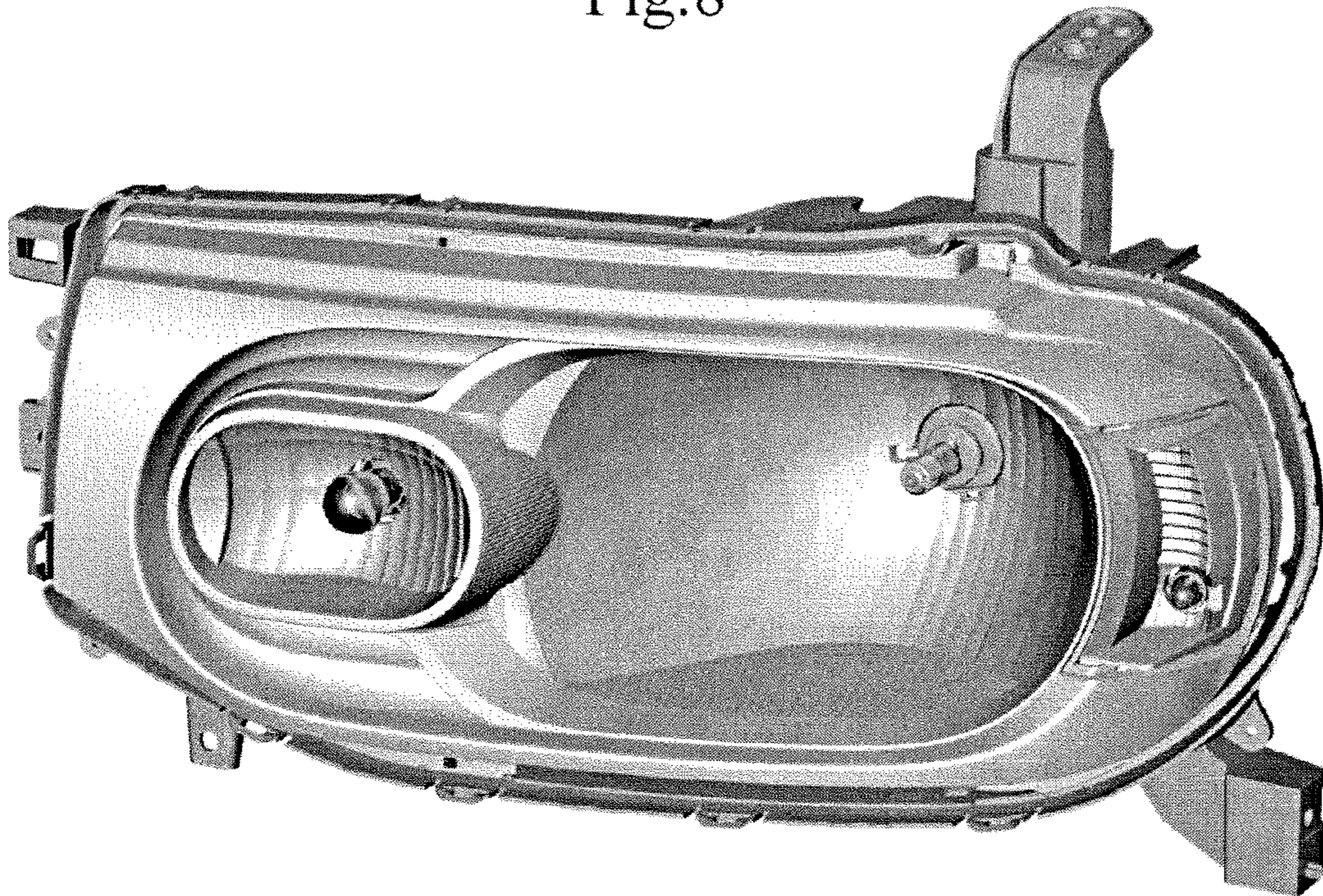


Fig.9

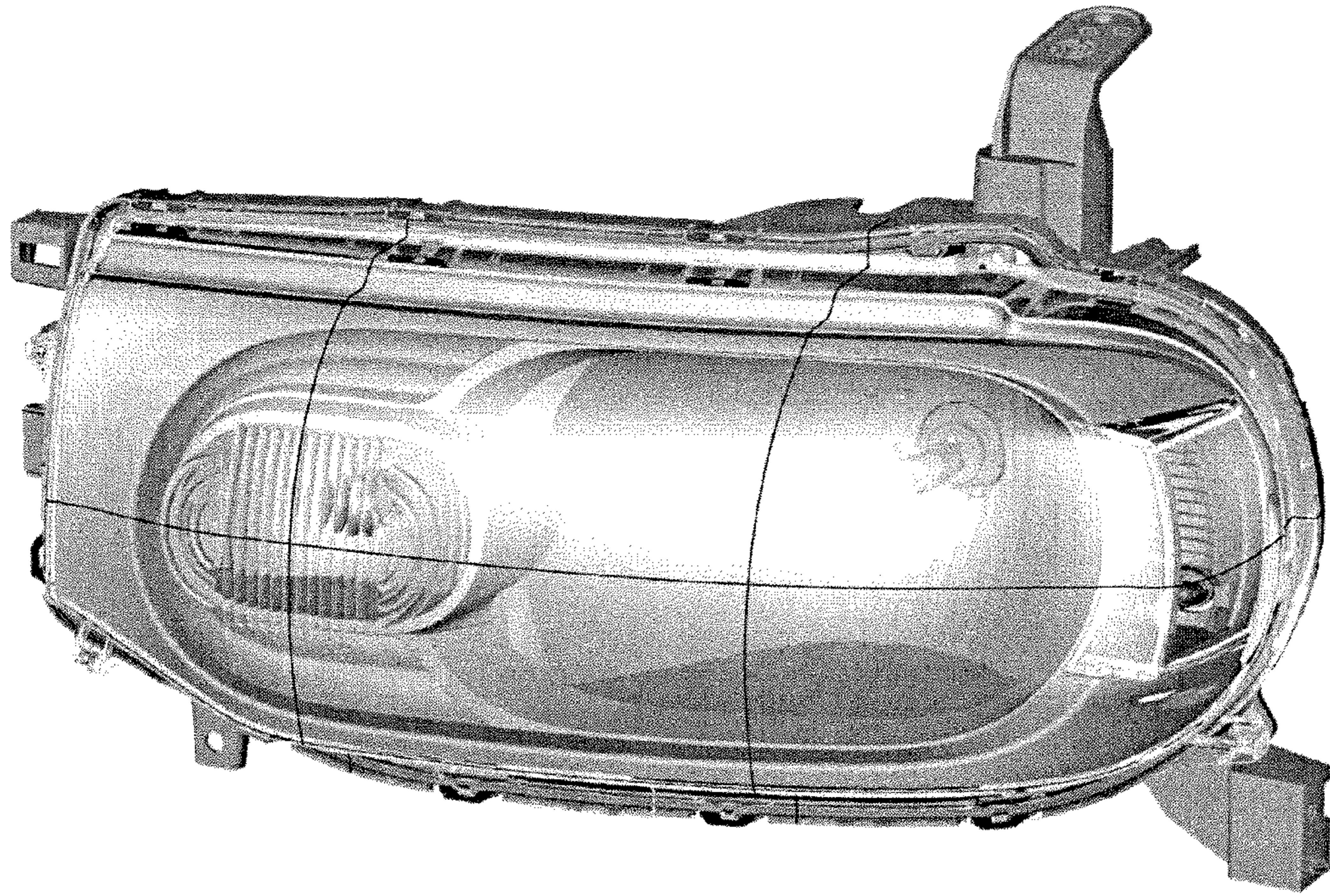


Fig.10

