



US00D598585S

(12) **United States Design Patent**
Blasi

(10) **Patent No.:** **US D598,585 S**
(45) **Date of Patent:** **** Aug. 18, 2009**

(54) **HEADLIGHT FOR A VEHICLE**

(75) Inventor: **Juliane Blasi**, Munich (DE)
(73) Assignee: **Bayerische Motoren Werke Aktiengesellschaft**, Munich (DE)
(**) Term: **14 Years**

(21) Appl. No.: **29/311,177**

(22) Filed: **Jan. 9, 2009**

(30) **Foreign Application Priority Data**
Jul. 11, 2008 (DE) 402008003431

(51) **LOC (9) Cl.** **26-06**
(52) **U.S. Cl.** **D26/28**
(58) **Field of Classification Search** D26/28-36;
362/459-468, 475-478, 485-487
See application file for complete search history.

(56) **References Cited**

U.S. PATENT DOCUMENTS

D465,590 S 11/2002 Warming
D546,486 S * 7/2007 Sinkwitz D26/28
D554,780 S * 11/2007 Sinkwitz D26/28
D570,014 S * 5/2008 Hsu D26/28
D570,016 S * 5/2008 Hsu D26/28

FOREIGN PATENT DOCUMENTS

WO DM/070264 12/2008

OTHER PUBLICATIONS

5 Series Facelift (E60 Facelift), [www://www.bmwheaven.com/images/stories/image_gallery/models/5series/e60e61/e60/facelift/e60_facelift_front_side.jpg](http://www.bmwheaven.com/images/stories/image_gallery/models/5series/e60e61/e60/facelift/e60_facelift_front_side.jpg), Seite 1, von 1, Nov. 26, 2008.

* cited by examiner

Primary Examiner—Marcus A. Jackson
(74) *Attorney, Agent, or Firm*—Crowell & Moring LLP

(57) **CLAIM**

The ornamental design for a headlight for a vehicle, as shown and described.

DESCRIPTION

This application is related to the following co-pending application:

U.S. application Ser. No. 29/309,354, filed Jul. 29, 2008.

FIG. 1 is a perspective view of a first embodiment of a headlight for a vehicle according to my novel design;

FIG. 2 is a front view thereof;

FIG. 3 is a side view thereof;

FIG. 4 is a top, perspective view thereof; and

FIG. 5 is a top view thereof.

FIG. 6 is a perspective view of a second embodiment of the headlight for a vehicle according to my novel design;

FIG. 7 is a front view thereof;

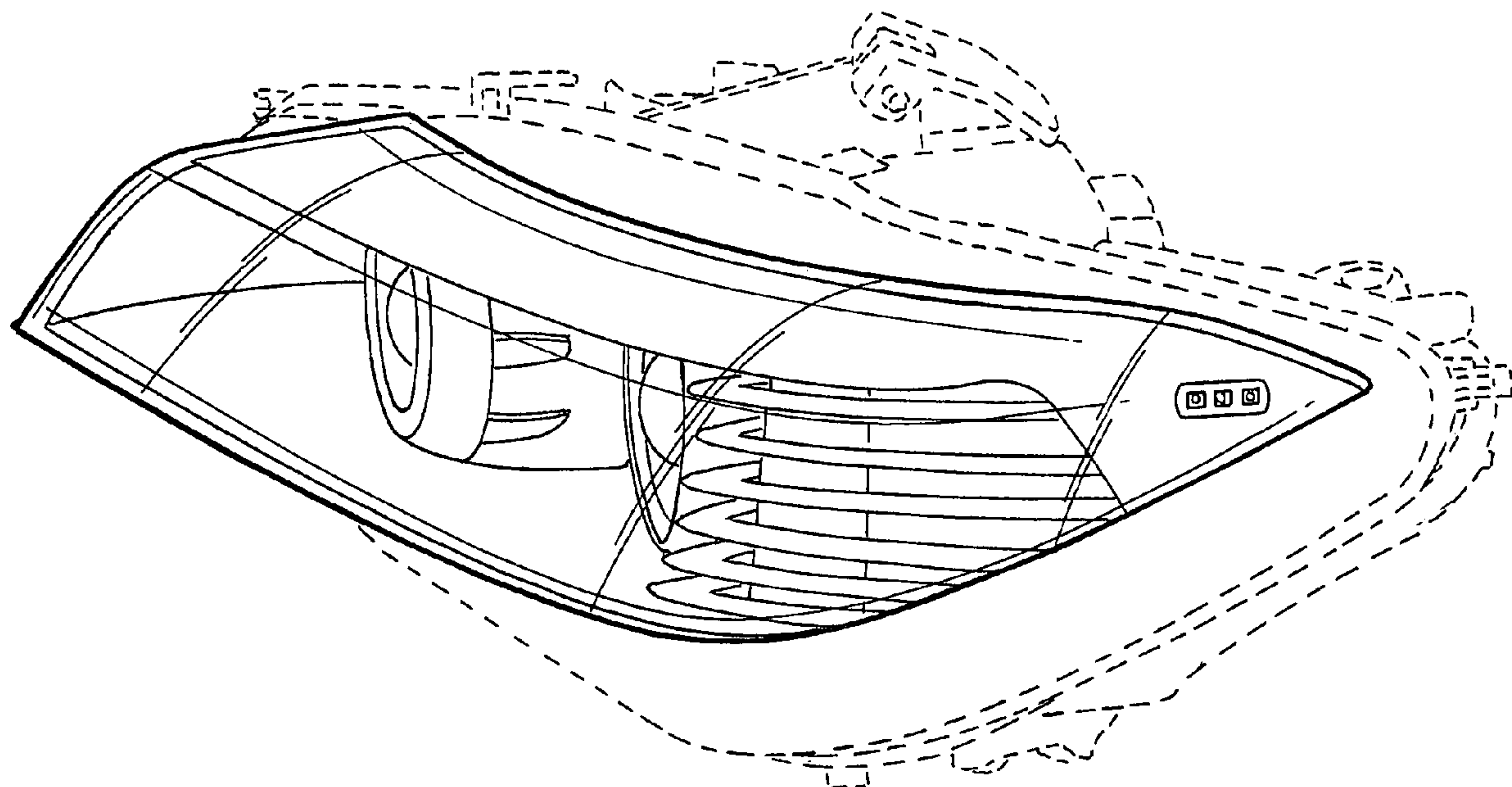
FIG. 8 is a side view thereof;

FIG. 9 is a top, perspective view thereof; and,

FIG. 10 is a top view thereof.

The broken lines are for illustrative purposes only and form no part of the claimed design.

1 Claim, 8 Drawing Sheets



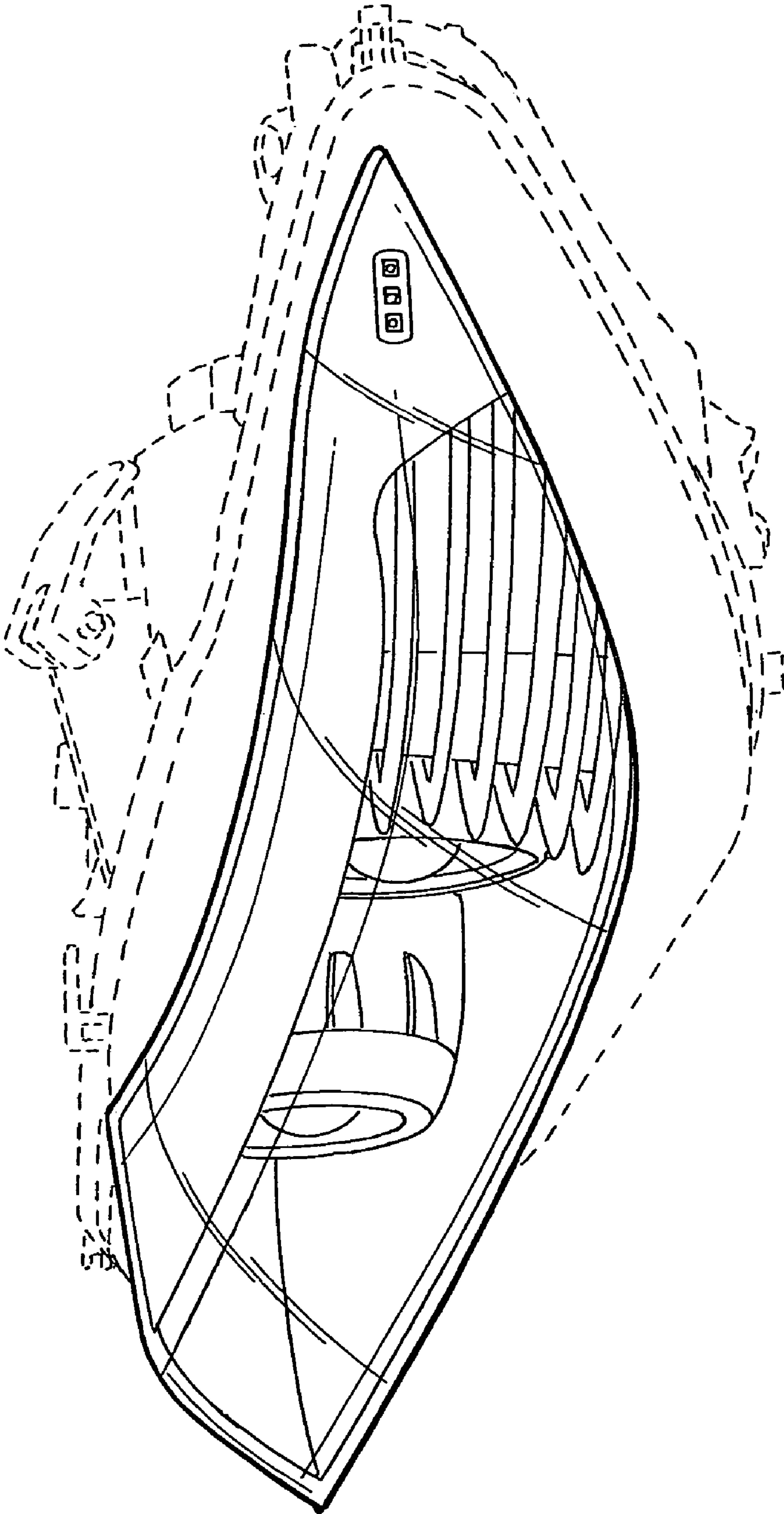


FIG. 1

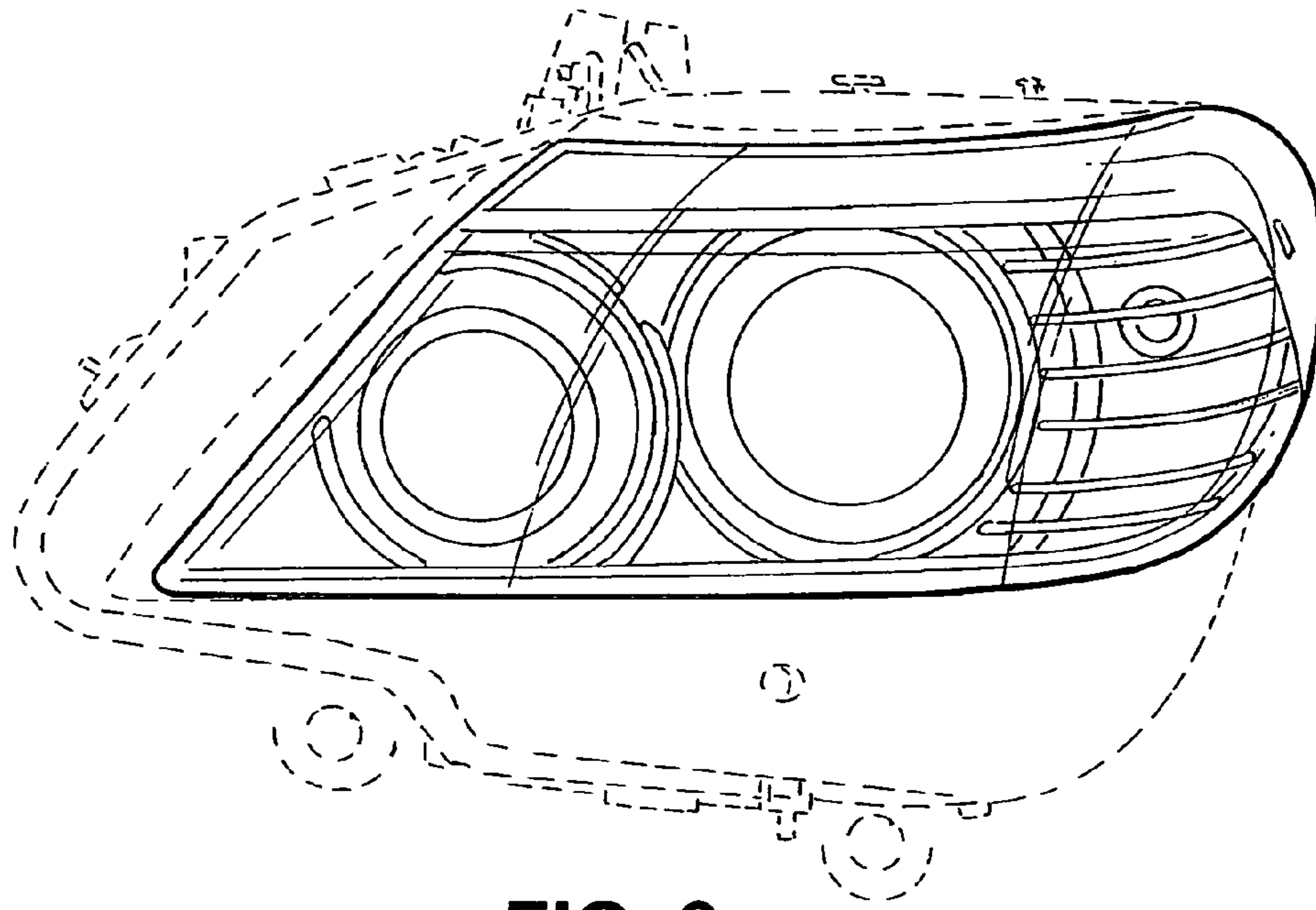


FIG. 2

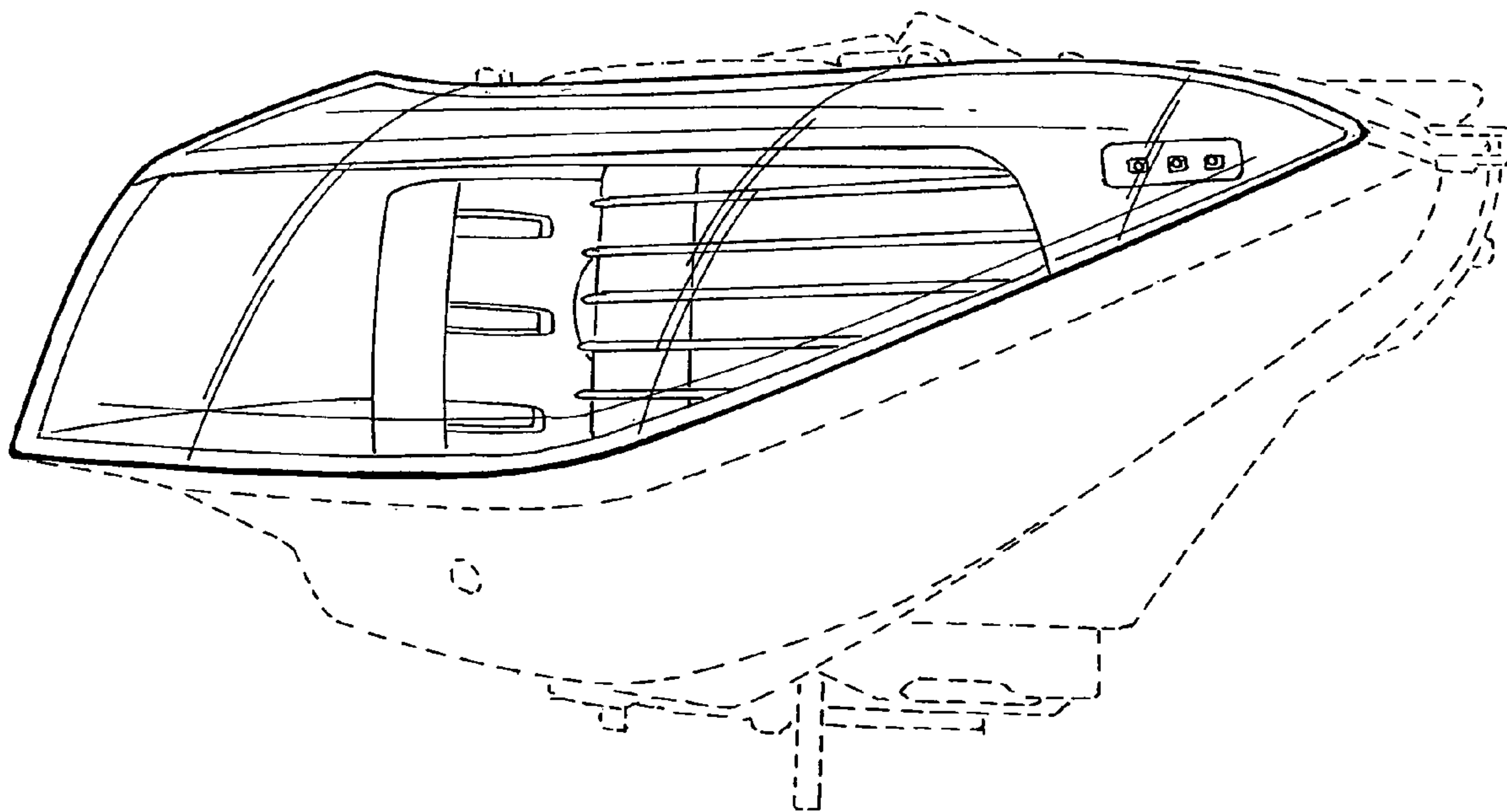


FIG. 3

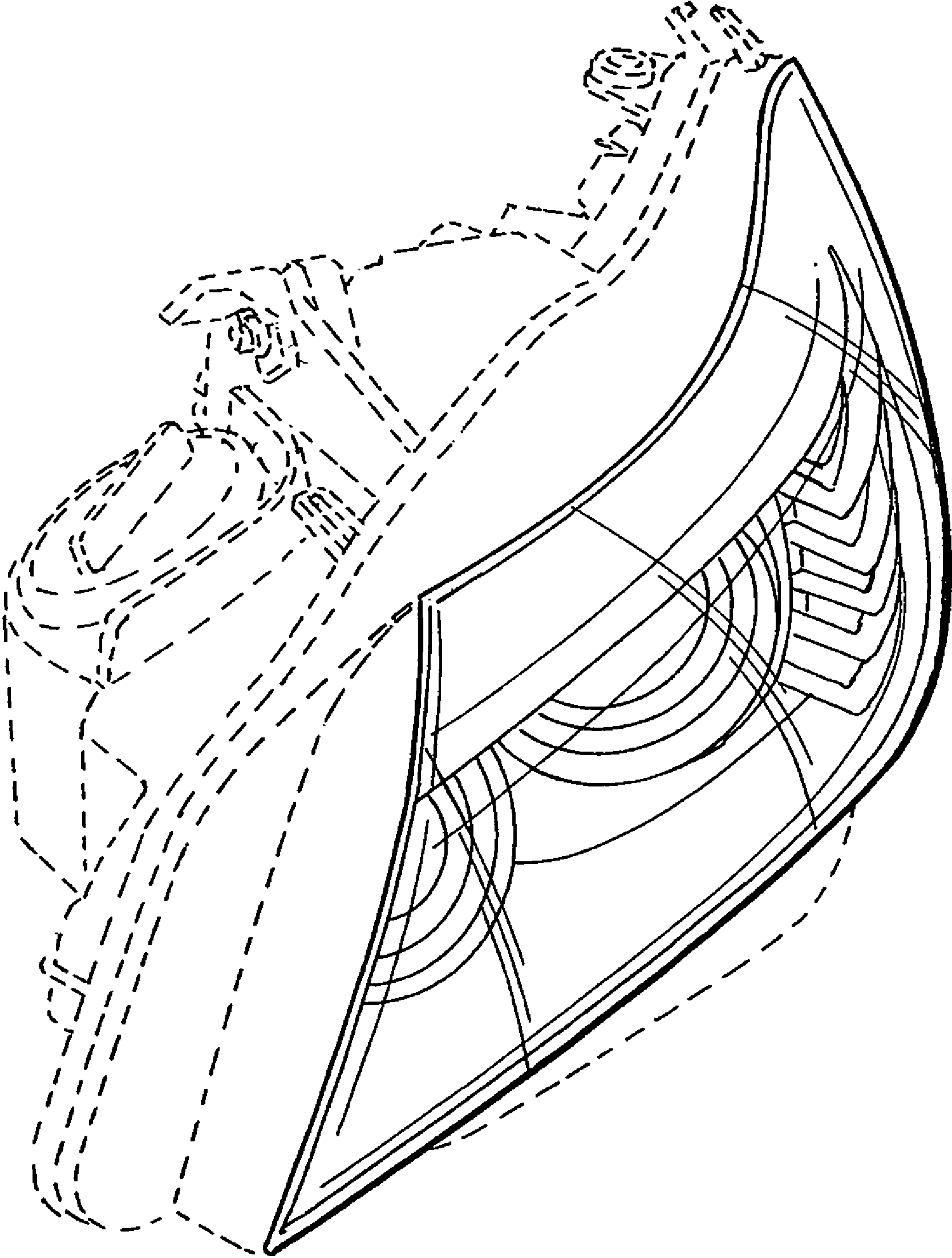


FIG. 4

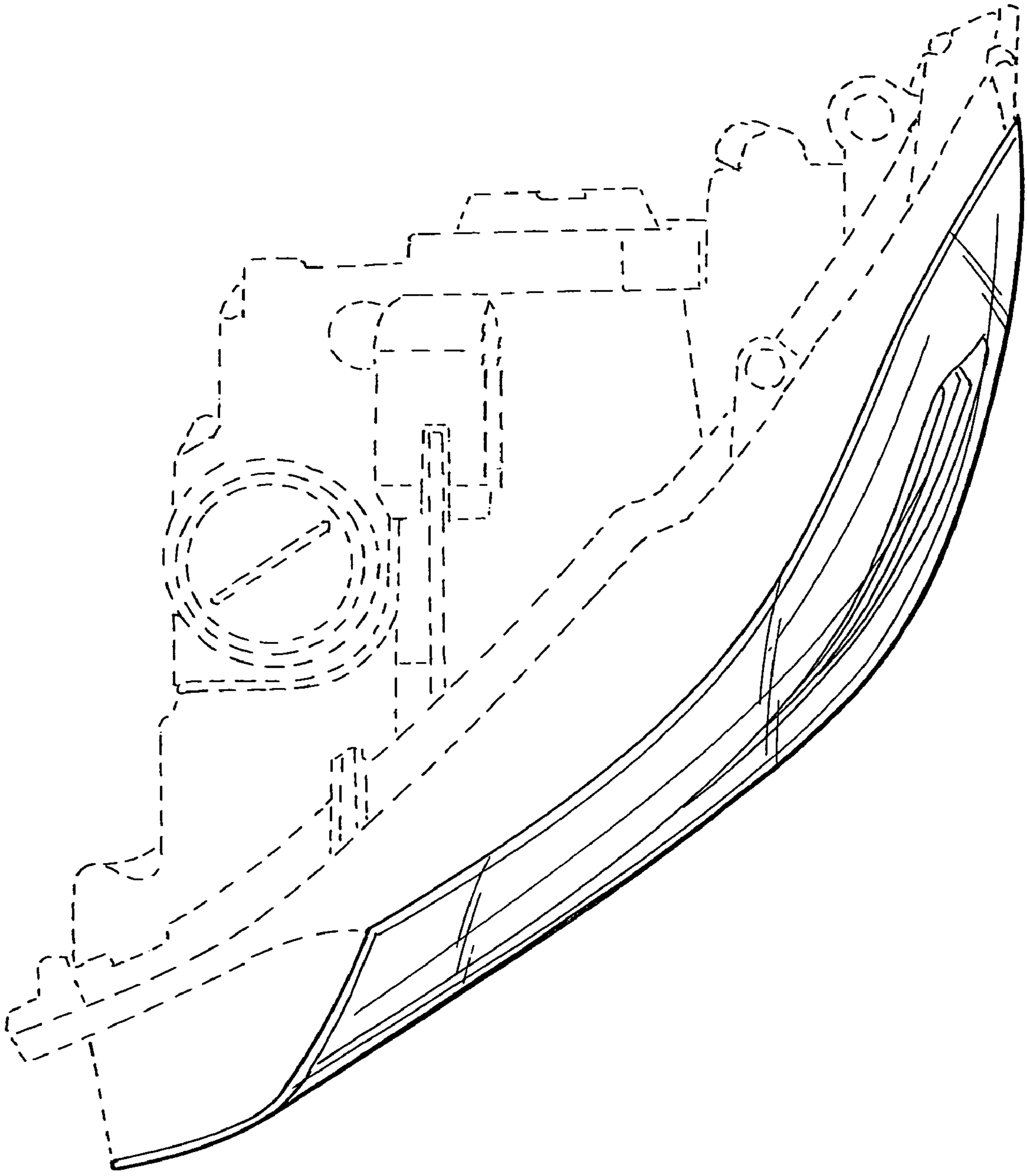


FIG. 5

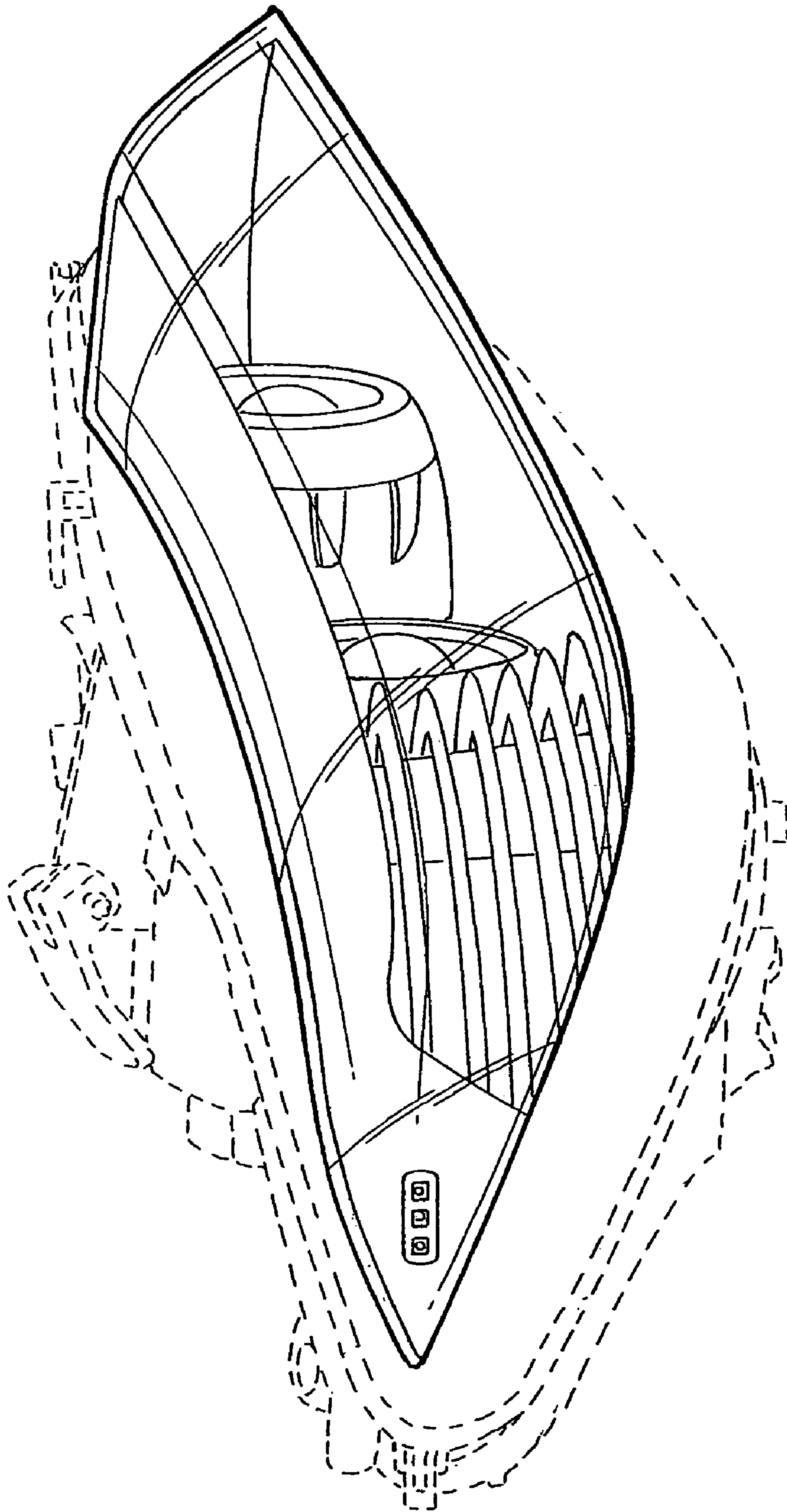


FIG. 6

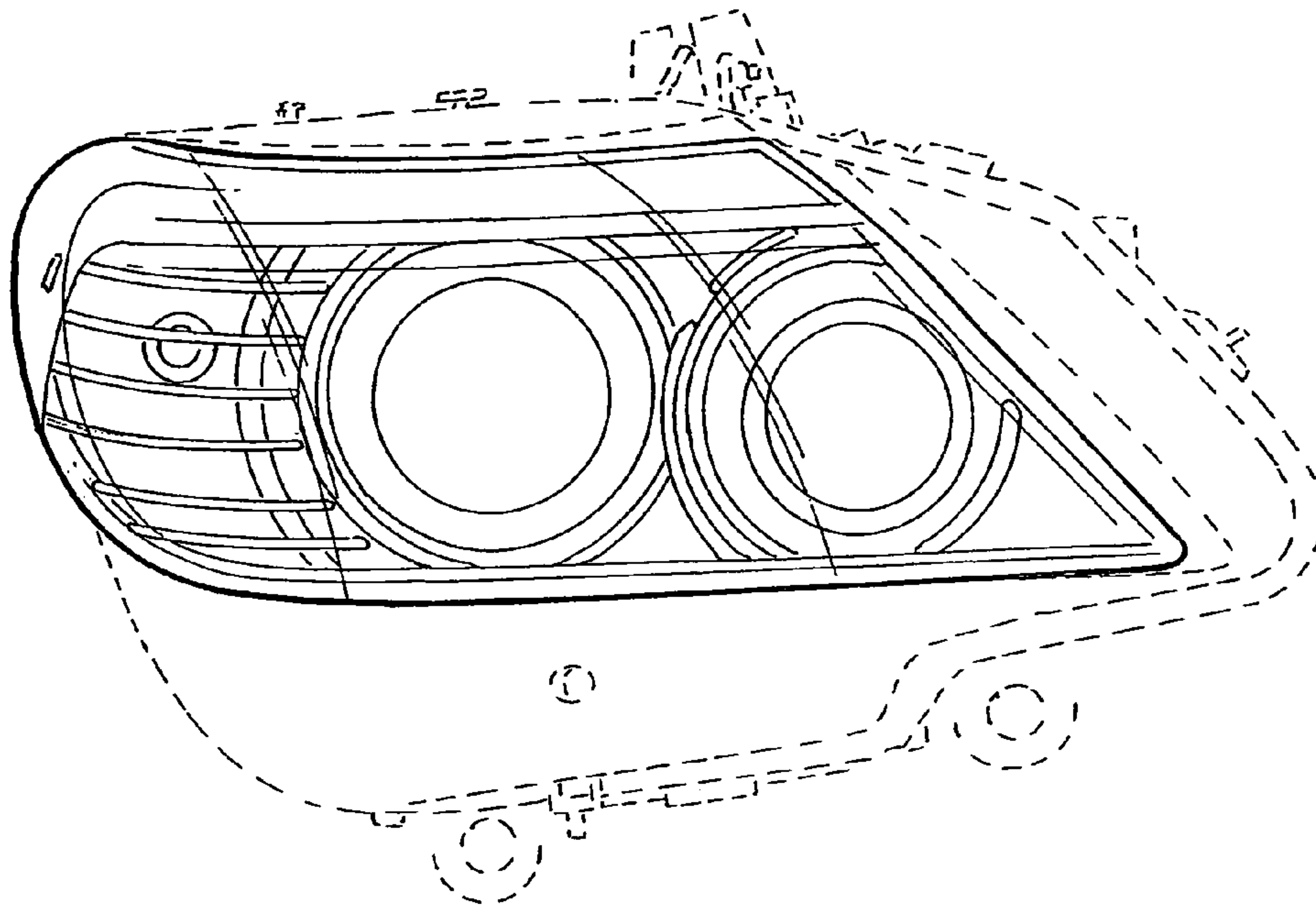


FIG. 7

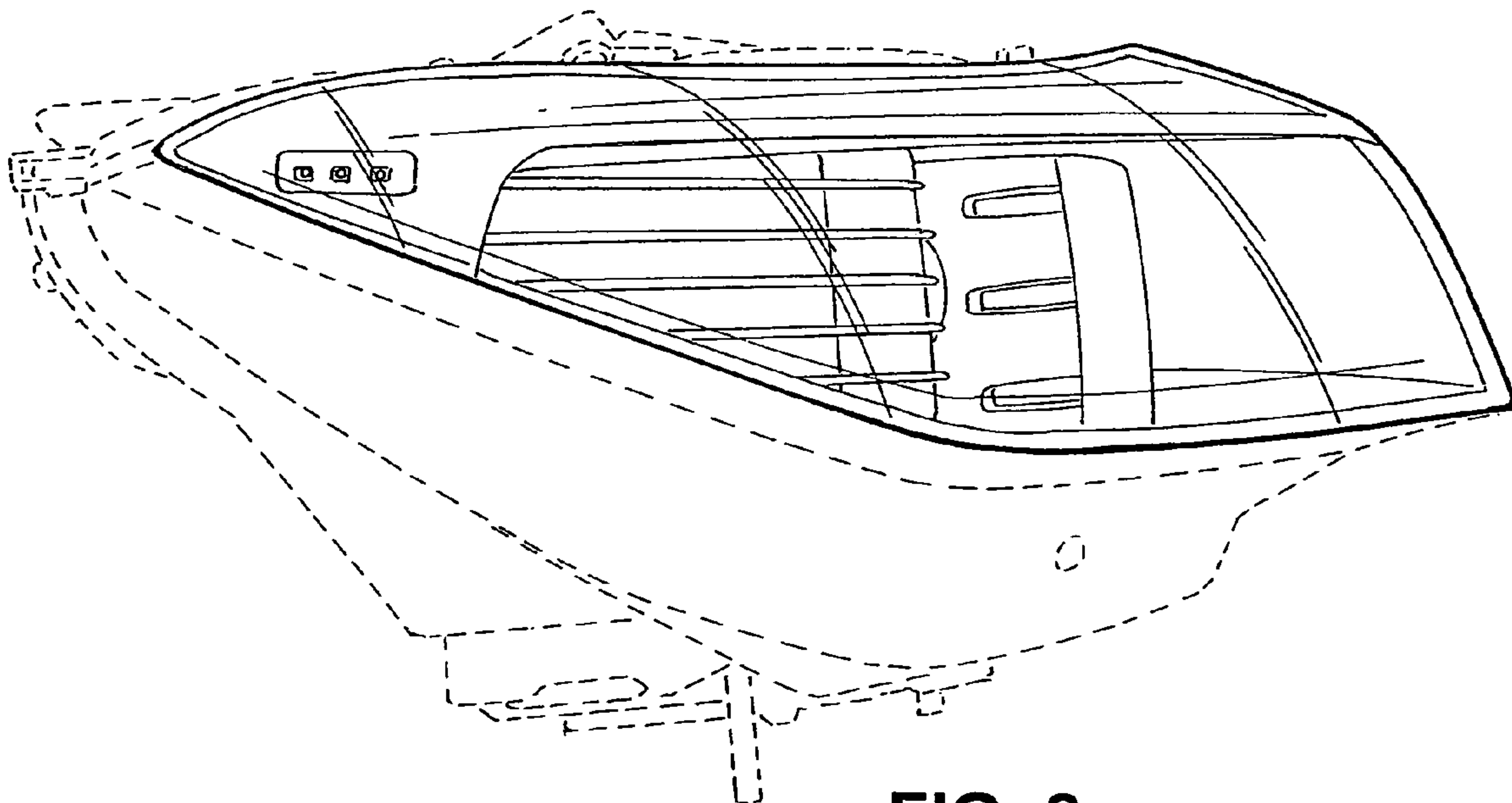


FIG. 8

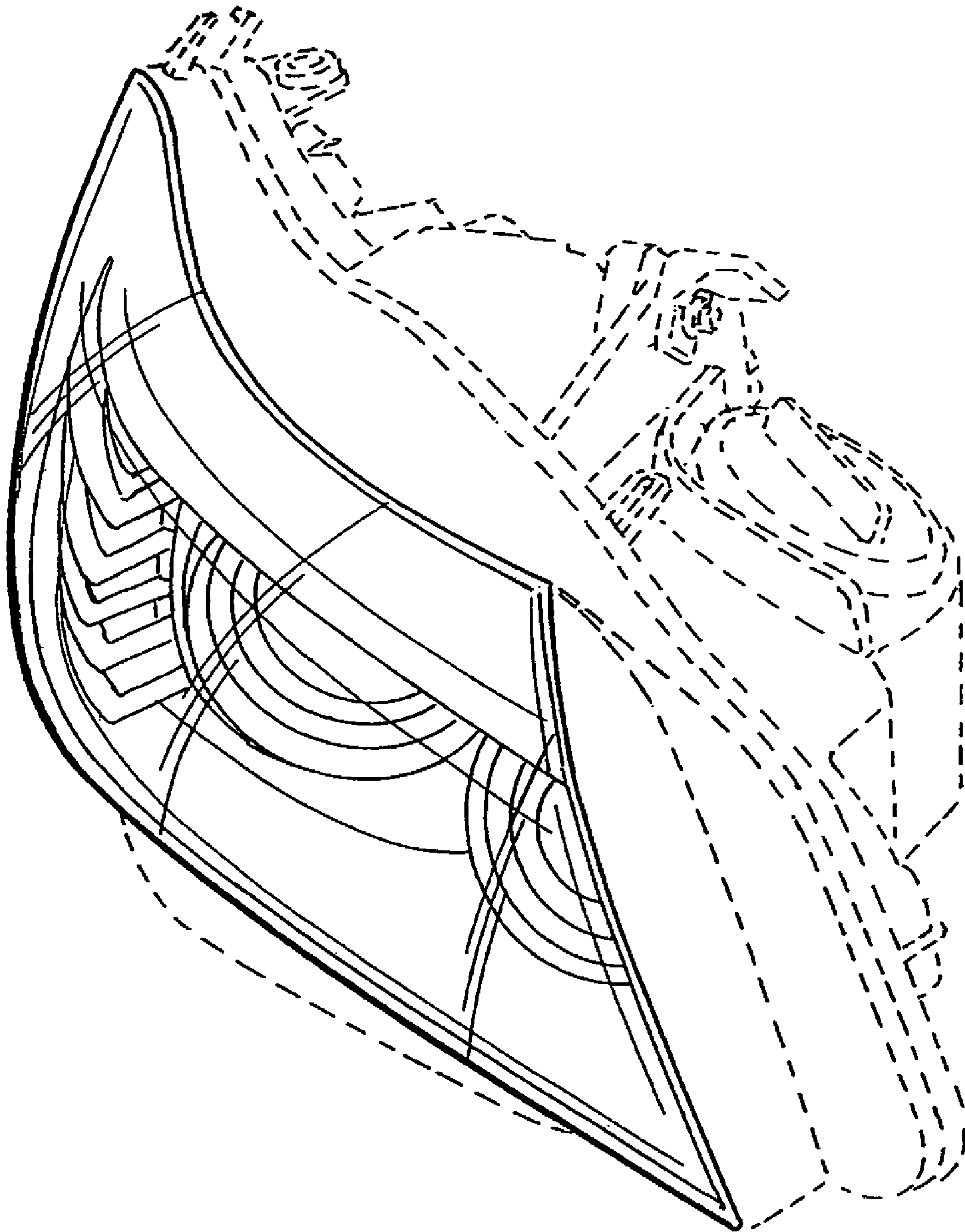


FIG. 9

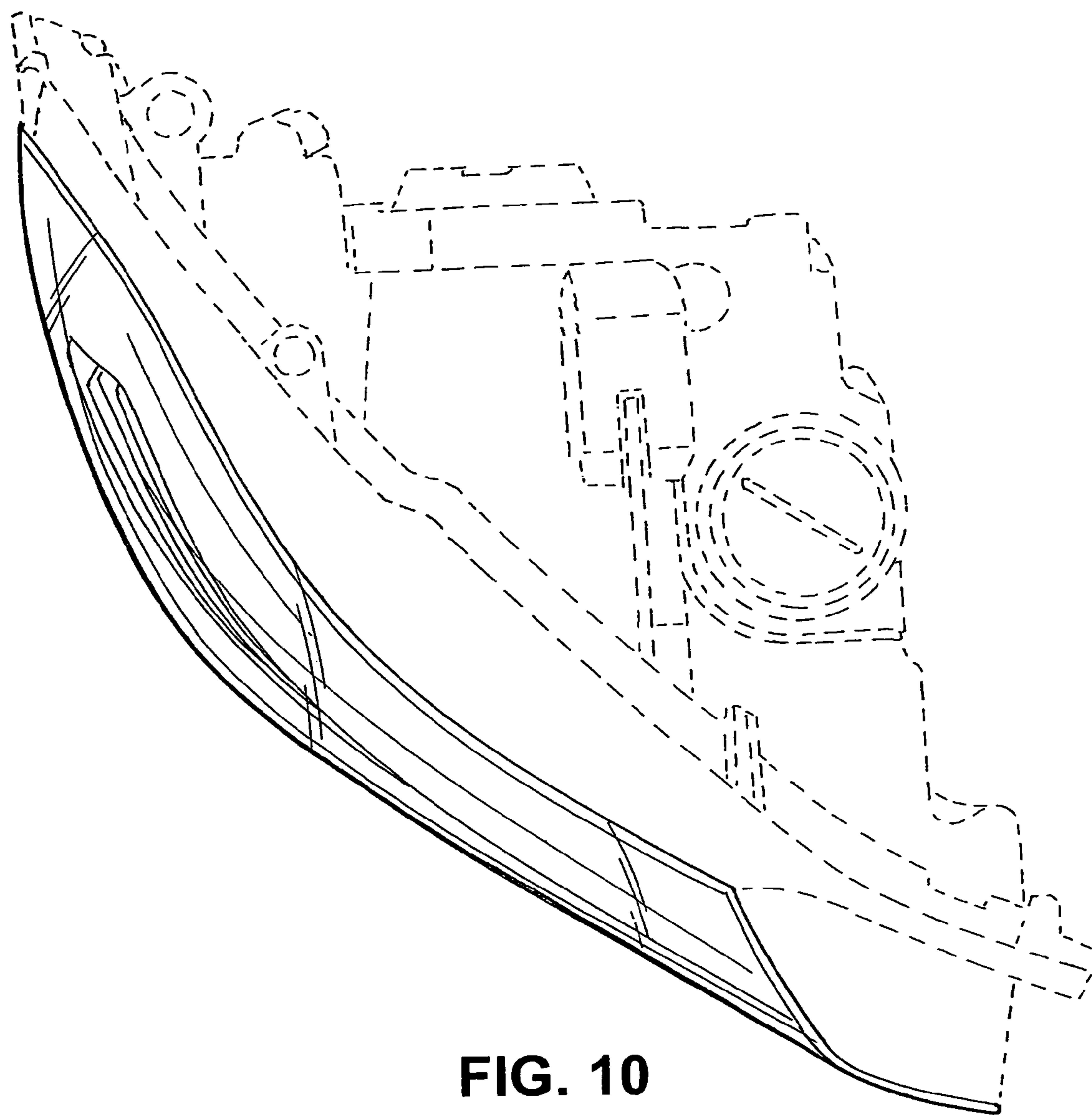


FIG. 10