



US00D598584S

(12) **United States Design Patent**
Blasi

(10) **Patent No.:** **US D598,584 S**

(45) **Date of Patent:** **** Aug. 18, 2009**

(54) **TAILLIGHT FOR A VEHICLE**

(75) Inventor: **Juliane Blasi**, Munich (DE)

(73) Assignee: **Bayerische Motoren Werke Aktiengesellschaft**, Munich (DE)

(**) Term: **14 Years**

(21) Appl. No.: **29/311,176**

(22) Filed: **Jan. 9, 2009**

(30) **Foreign Application Priority Data**

Jul. 11, 2008 (DE) 402008003431

(51) **LOC (9) Cl.** **26-06**

(52) **U.S. Cl.** **D26/28**

(58) **Field of Classification Search** D26/28-36;
362/459-468, 475-478, 485-487
See application file for complete search history.

(56) **References Cited**

U.S. PATENT DOCUMENTS

D550,380 S * 9/2007 Lin D26/28
D550,383 S * 9/2007 Asai D26/28
D565,211 S * 3/2008 Haller et al. D26/28

* cited by examiner

Primary Examiner—Marcus A. Jackson
(74) *Attorney, Agent, or Firm*—Crowell & Moring LLP

(57) **CLAIM**

The ornamental design for a taillight for a vehicle, as shown and described.

DESCRIPTION

FIG. 1 is a perspective view of a first embodiment of a taillight for a vehicle according to my novel design;

FIG. 2 is a front view thereof;

FIG. 3 is a side perspective view thereof;

FIG. 4 is a side view thereof; and

FIG. 5 is a top view thereof.

FIG. 6 is a perspective view of a second embodiment of the taillight for a vehicle according to my novel design;

FIG. 7 is a front view thereof;

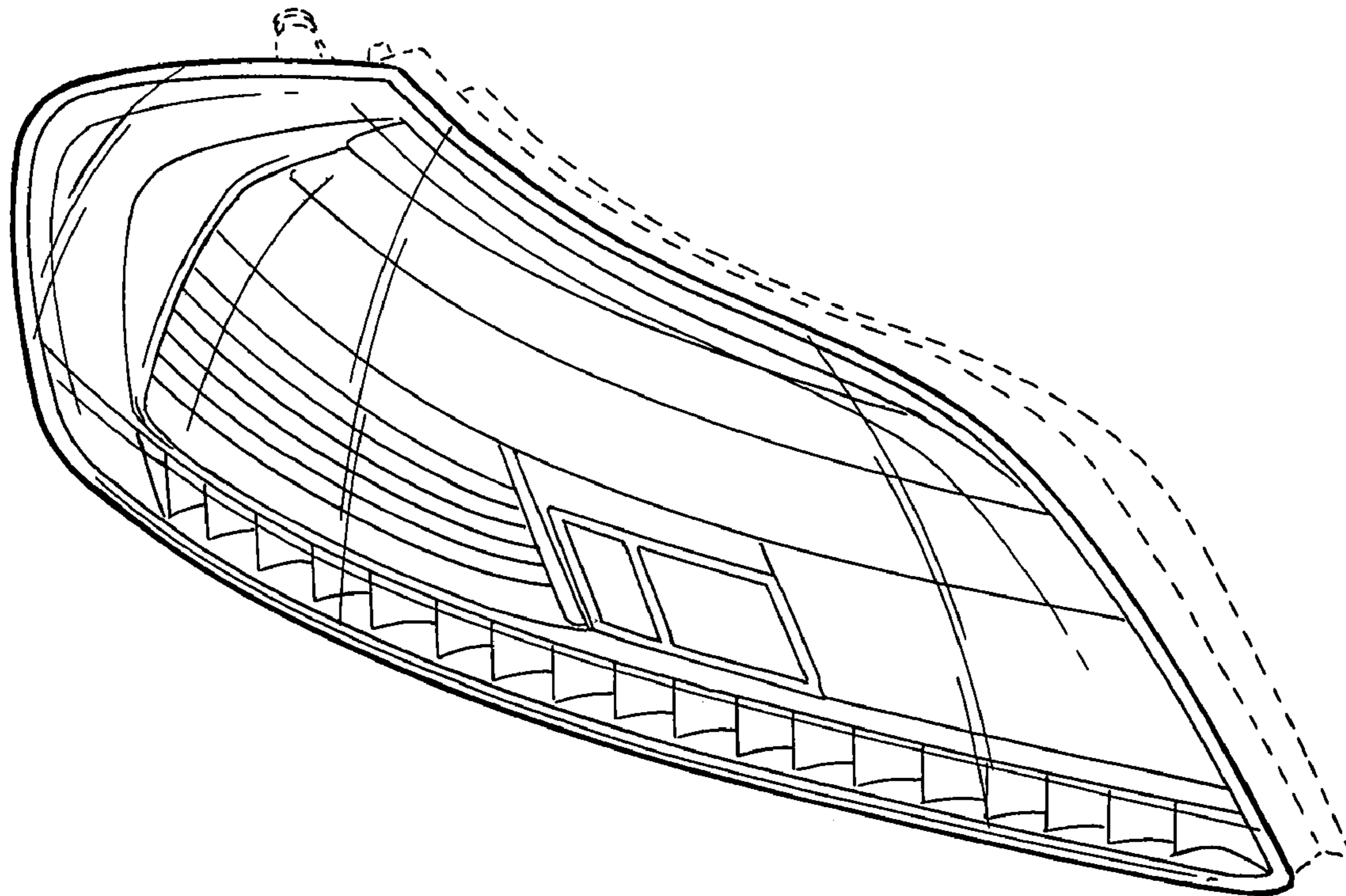
FIG. 8 is a side perspective view thereof;

FIG. 9 is a side view thereof; and,

FIG. 10 is a top view thereof.

The broken lines are for illustrative purposes only and form no part of the claimed design.

1 Claim, 6 Drawing Sheets



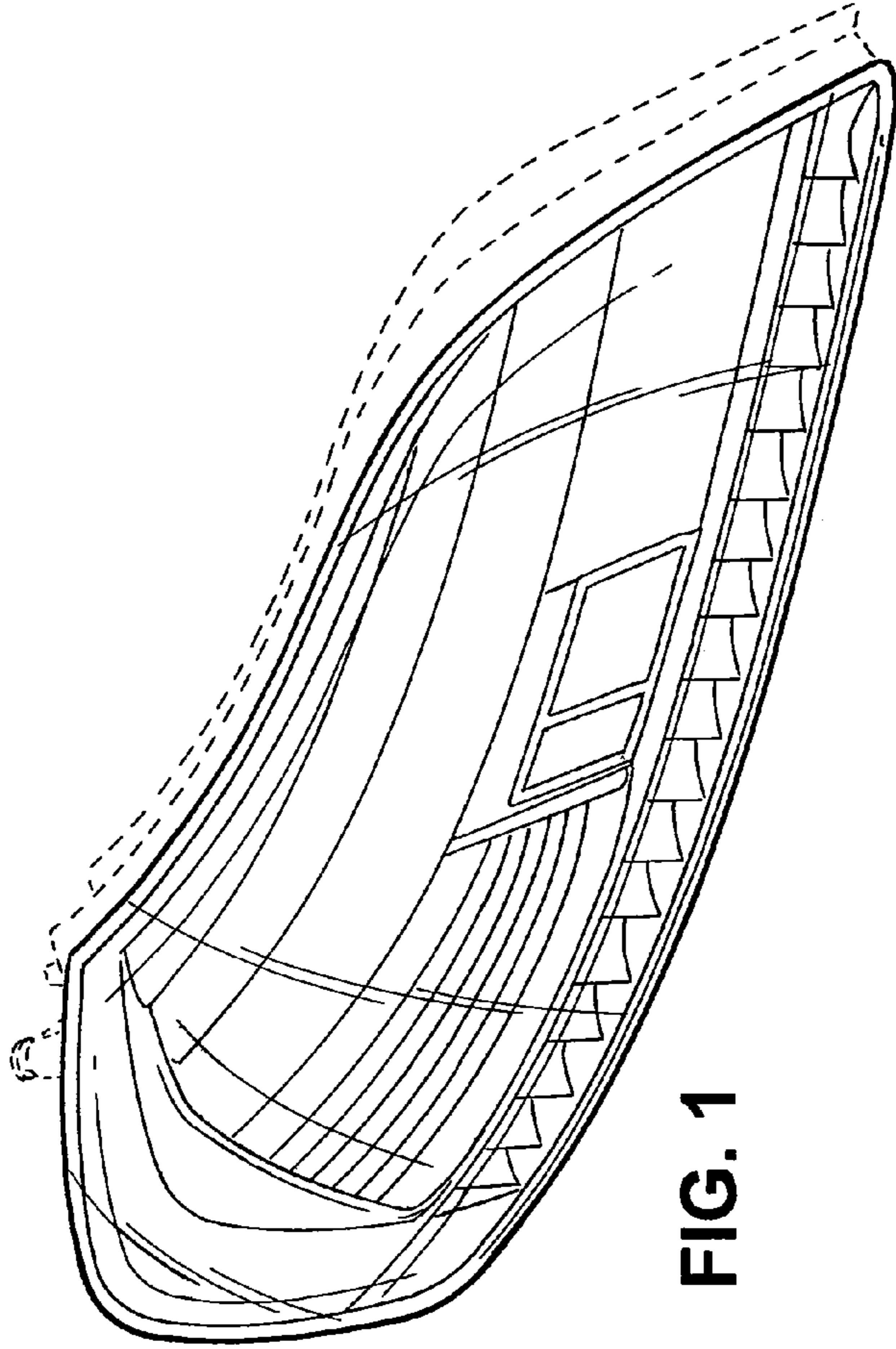


FIG. 1

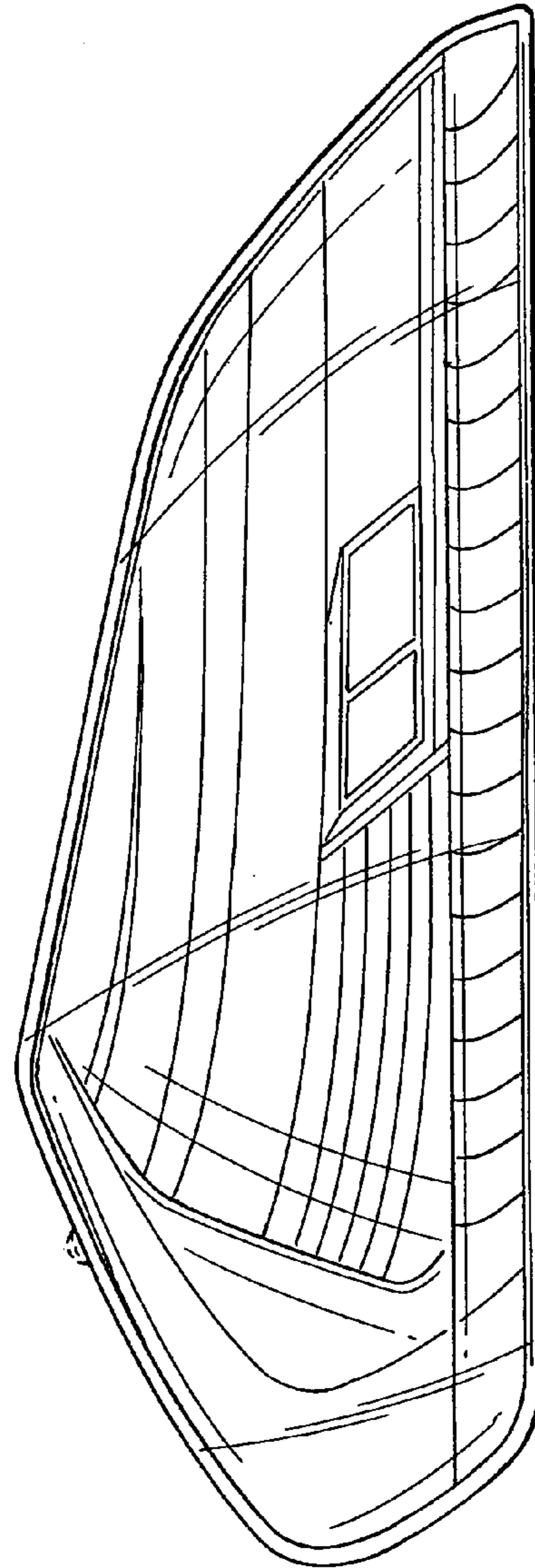


FIG. 2

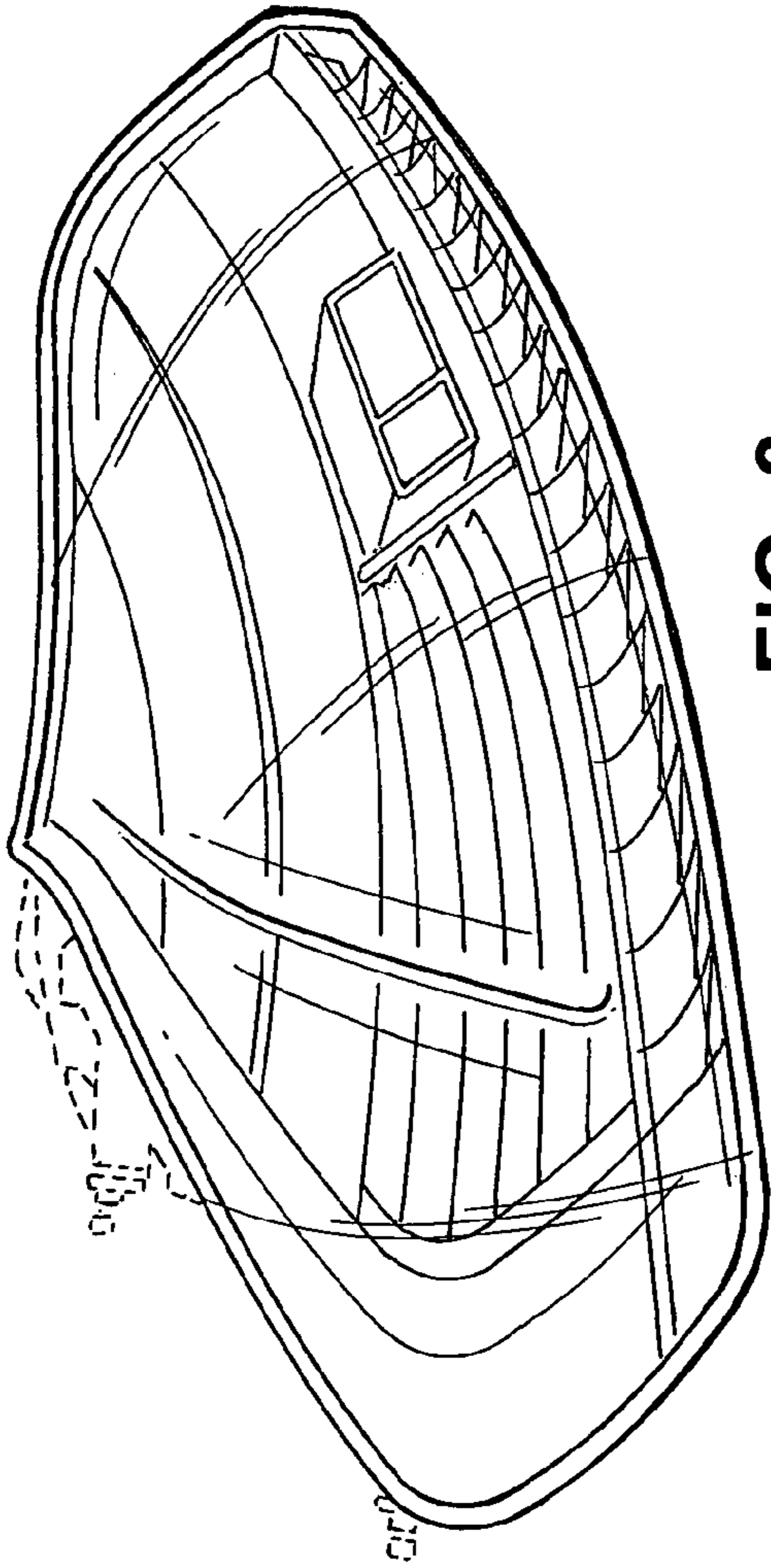


FIG. 3

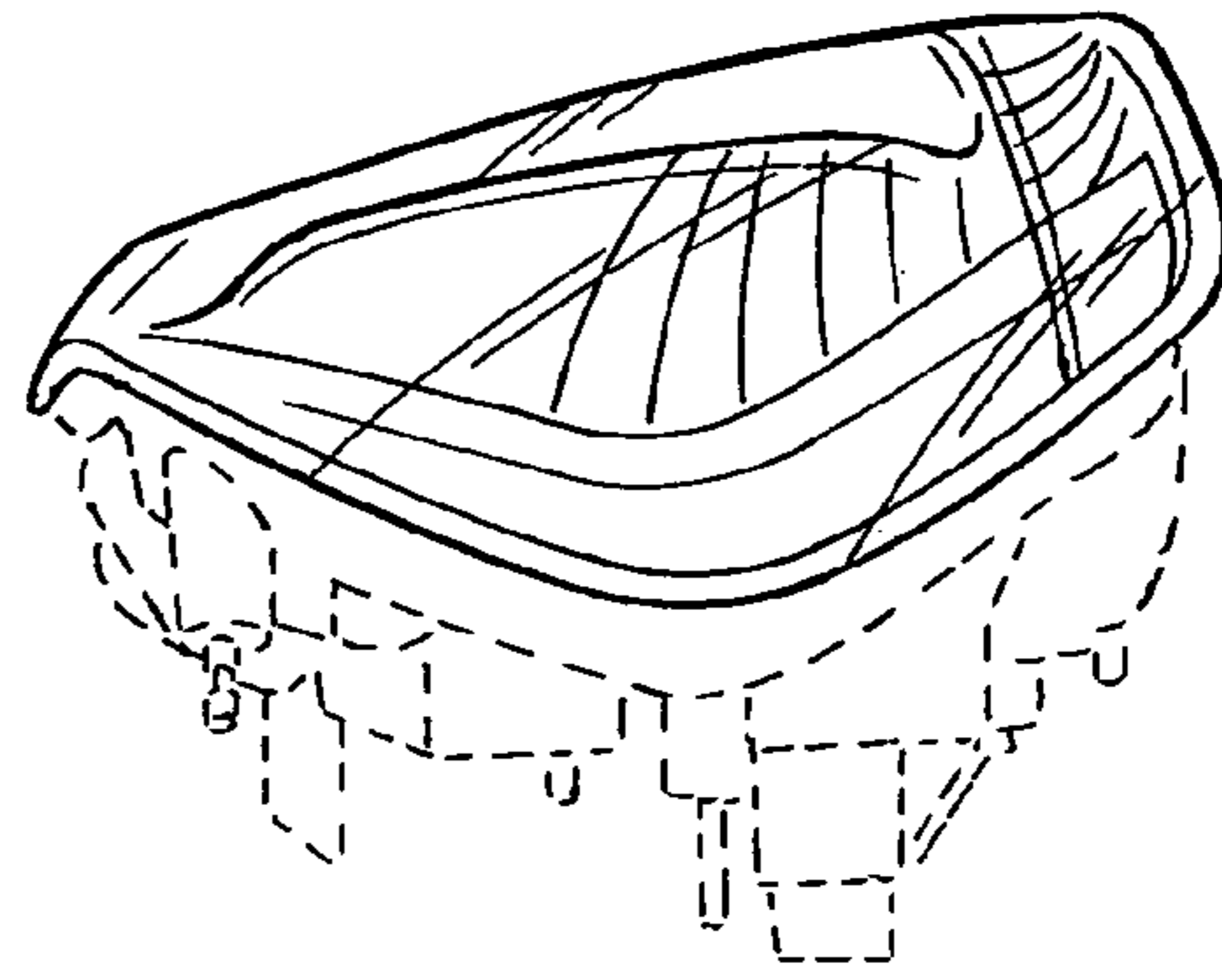


FIG. 4

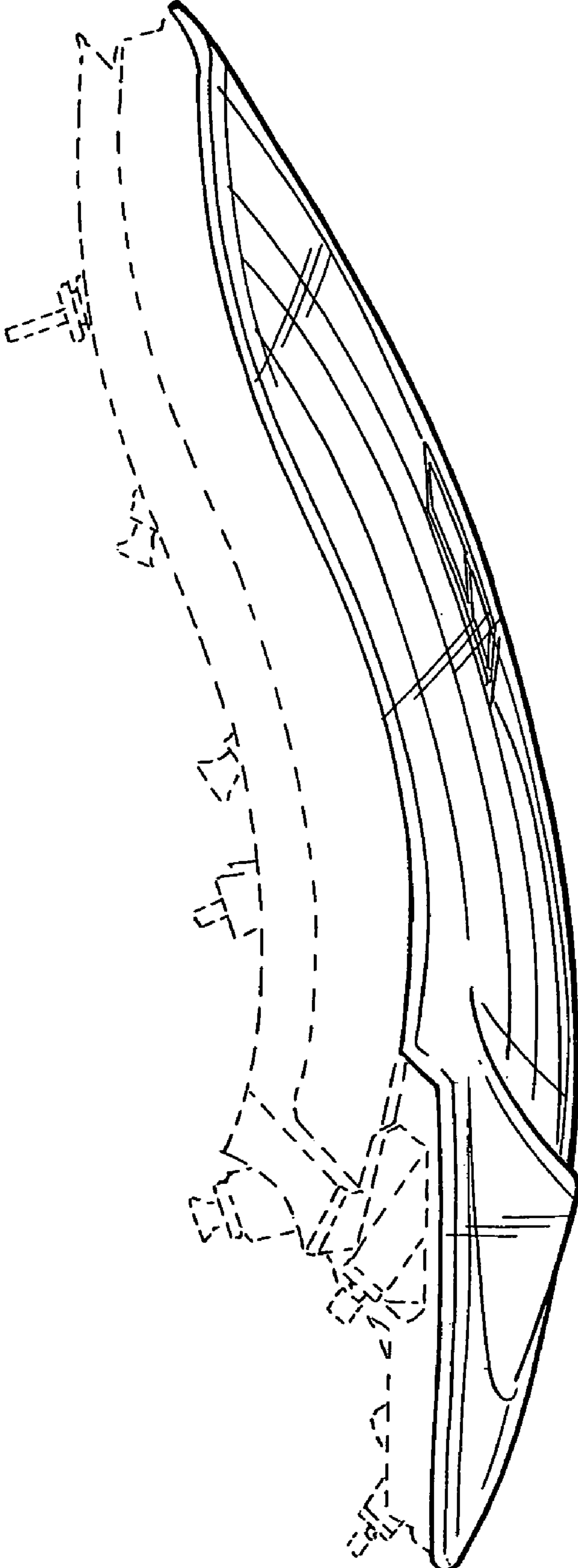


FIG. 5

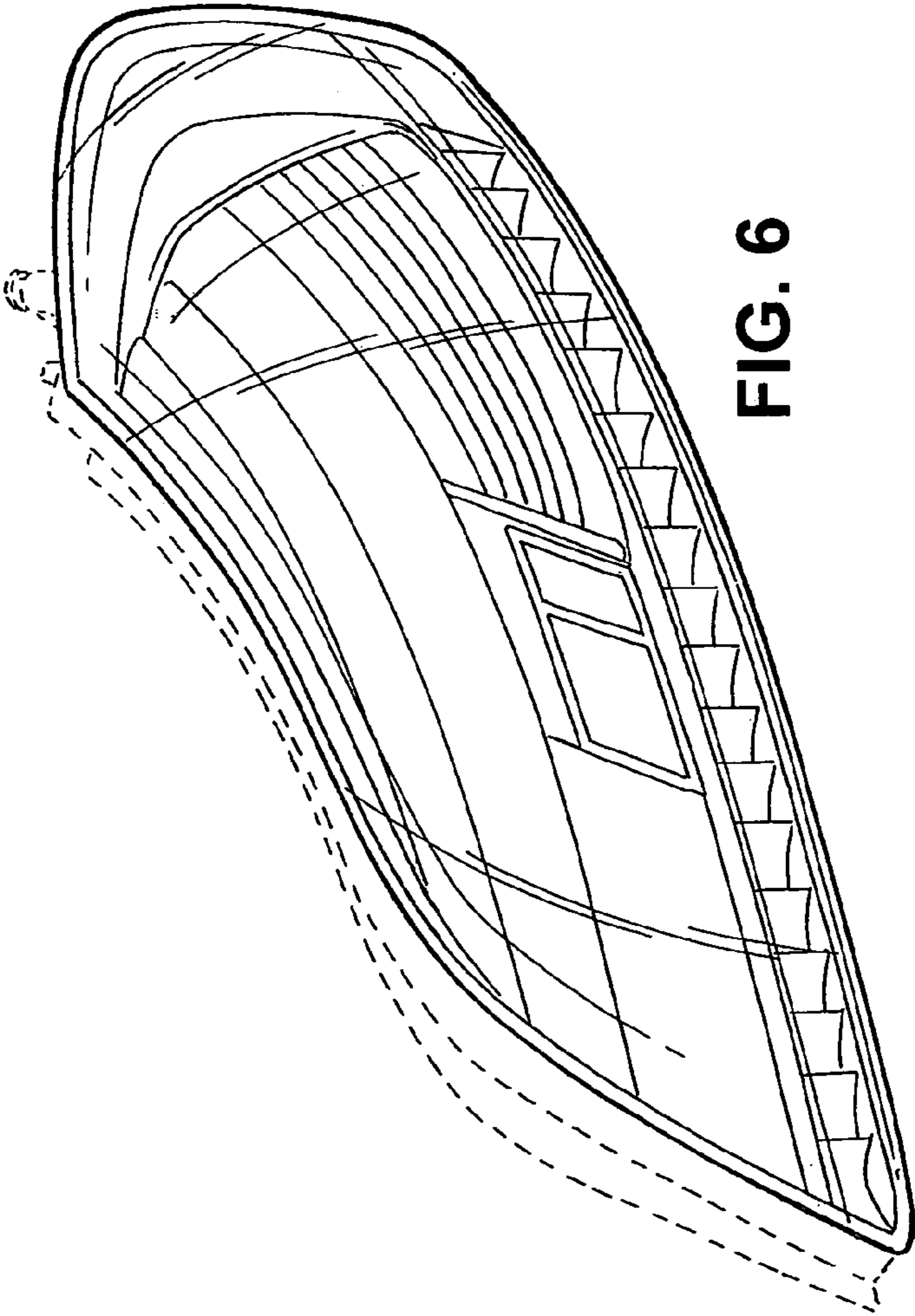


FIG. 6

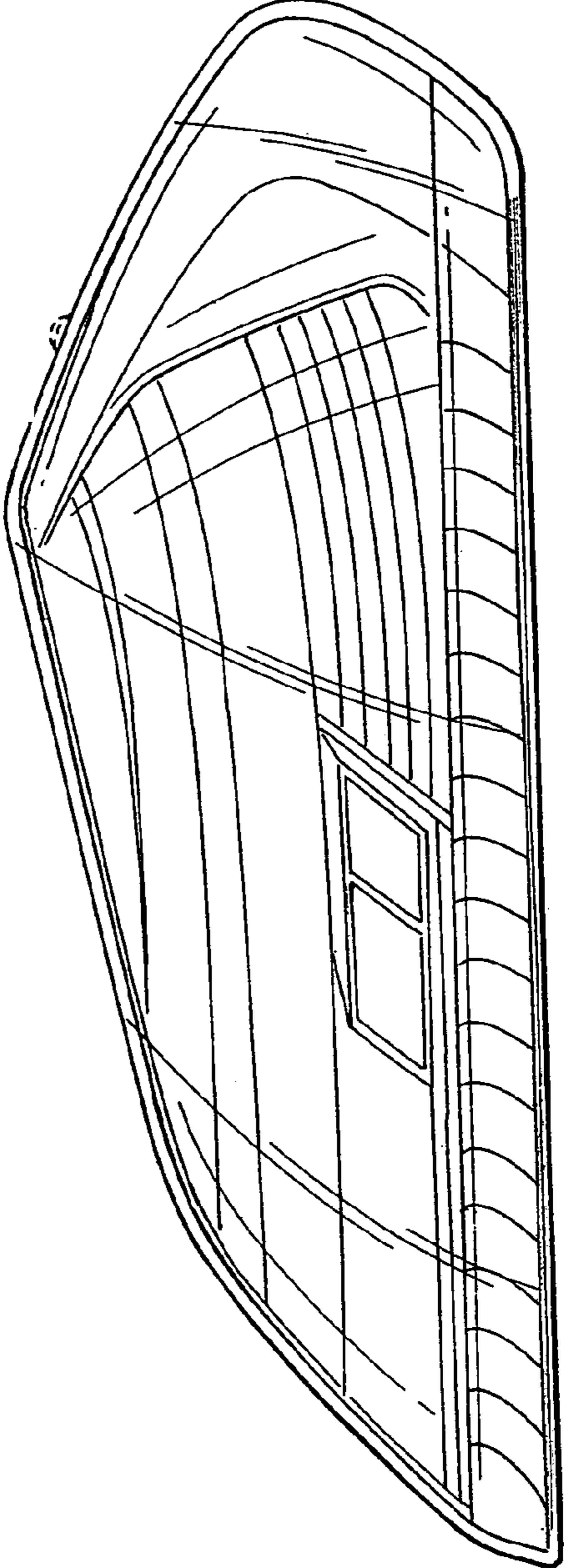


FIG. 7

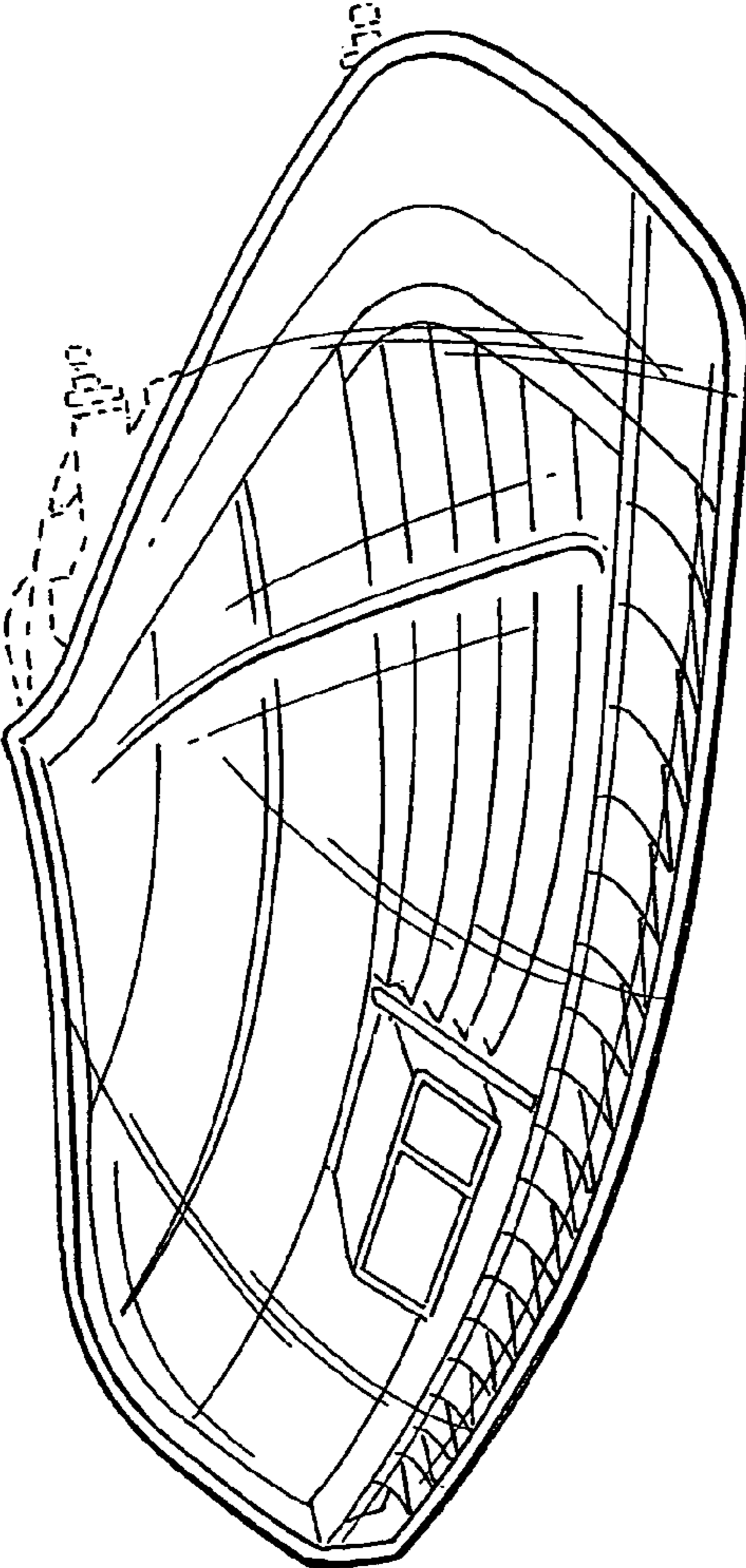


FIG. 8

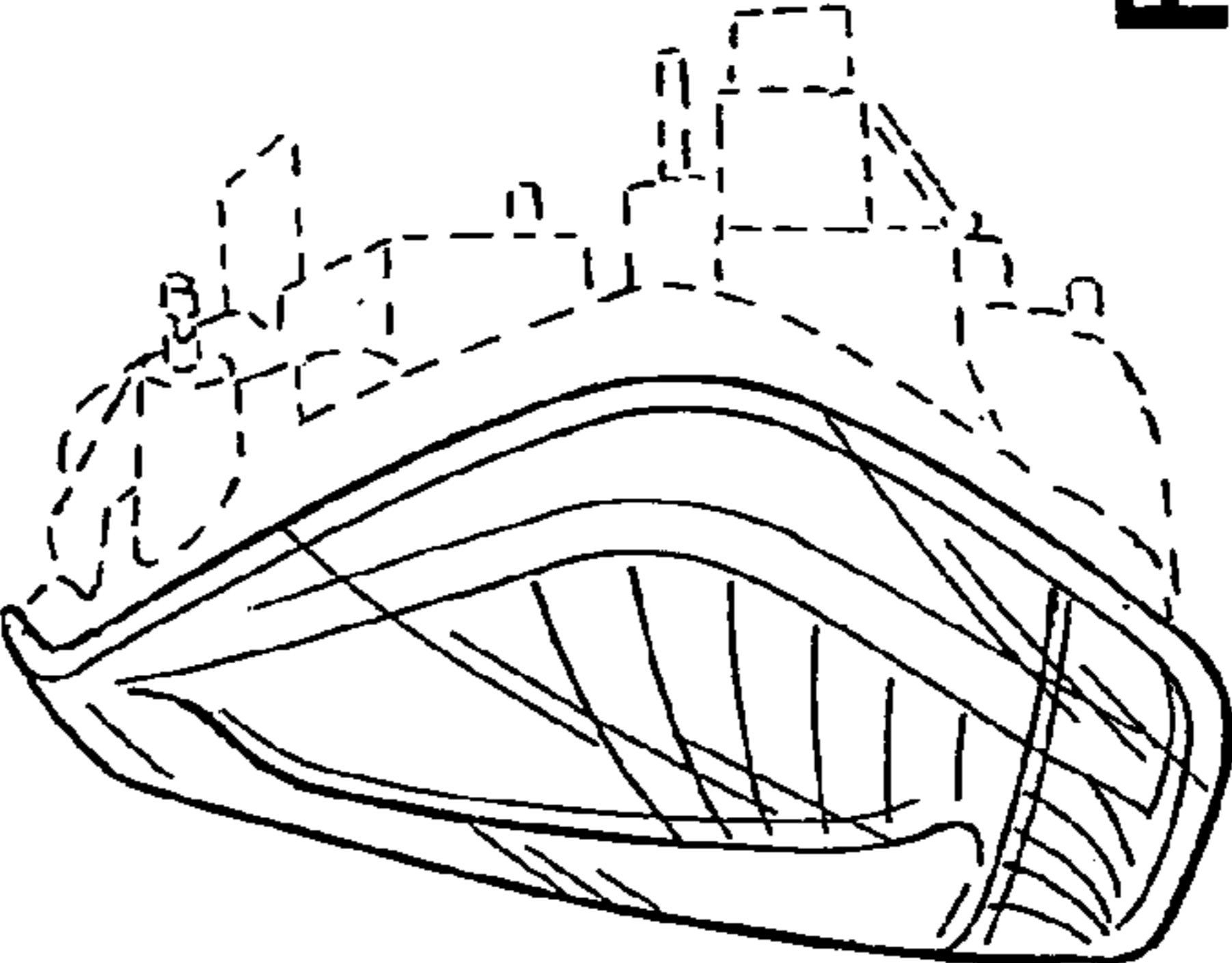


FIG. 9

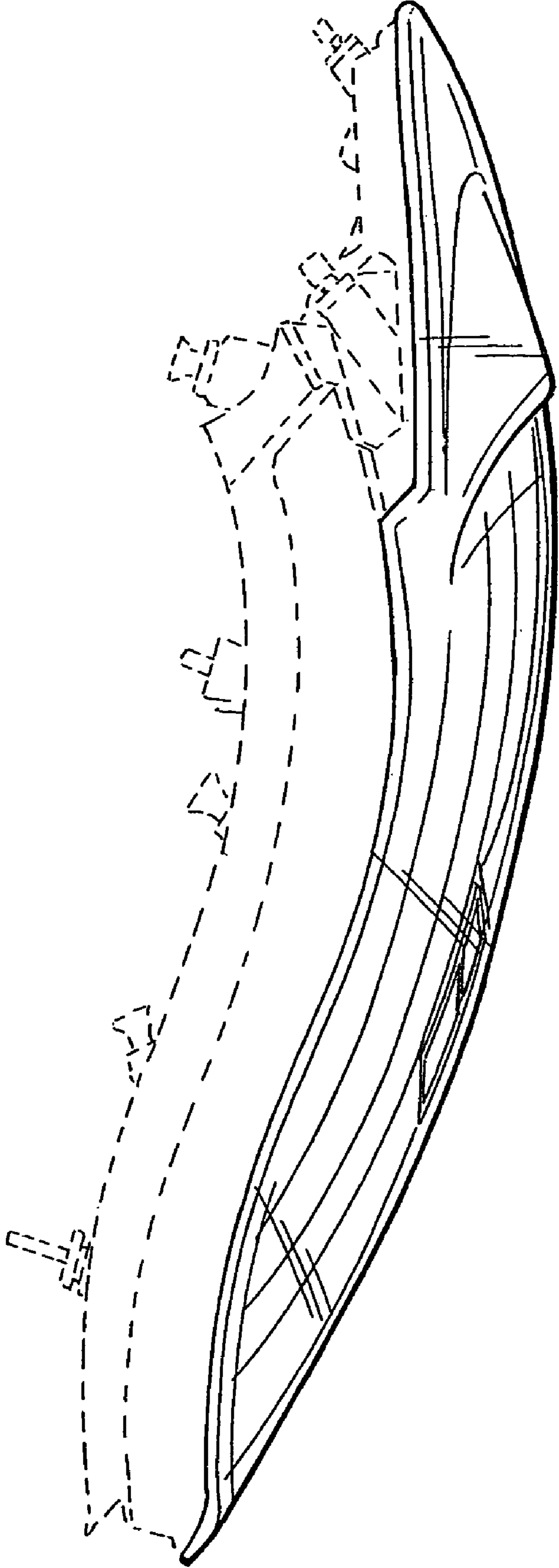


FIG. 10