



US00D598583S

(12) **United States Design Patent**
Levine

(10) **Patent No.:** **US D598,583 S**

(45) **Date of Patent:** **** Aug. 18, 2009**

(54) **LIGHTING DEVICE**

(76) Inventor: **Jonathan E. Levine**, 419 Park Ave.
South, Suite 505, New York, NY (US)
10016

(**) Term: **14 Years**

(21) Appl. No.: **29/327,575**

(22) Filed: **Nov. 7, 2008**

(51) **LOC (9) Cl.** **26-04**

(52) **U.S. Cl.** **D26/25**

(58) **Field of Classification Search** D26/24,
D26/25, 94, 98, 99, 100, 101, 4, 125; D21/467;
D11/117, 118, 121, 124, 125, 128, 136, 137,
D11/141, 160, 162; 362/605, 564, 565, 566,
362/567, 568, 121, 122, 123, 124, 249.15,
362/249.16, 249.17, 249.18, 249.19, 311.13,
362/806, 807, 808, 228, 236, 237, 249.03,
362/249.04, 249.06, 249.07, 249.08, 249.09,
362/249.1, 249.11

See application file for complete search history.

(56) **References Cited**

U.S. PATENT DOCUMENTS

D270,483 S *	9/1983	Gardner et al.	D26/63
D315,801 S *	3/1991	Luger	D26/24
D317,055 S *	5/1991	Moore	D26/35
D415,306 S *	10/1999	Ledsome	D26/94
6,220,742 B1 *	4/2001	Lloyd et al.	362/565
6,588,920 B2	7/2003	Agro	
6,641,283 B1	11/2003	Bohler	
D484,270 S	12/2003	Yiu	
D485,390 S *	1/2004	Stancik et al.	D26/104
6,979,107 B1	12/2005	Benensohn	
D519,870 S	5/2006	Pritchard	
D535,262 S	1/2007	Saito et al.	
D544,117 S	6/2007	Coushaine	
D544,618 S	6/2007	Coushaine	
D544,988 S	6/2007	Benensohn	
D551,795 S	9/2007	Compton et al.	
D561,925 S	2/2008	Levine	

D567,987 S	4/2008	Khubani	
7,360,911 B2 *	4/2008	Menke, Sr.	362/35
D576,338 S	9/2008	Levine	
D578,246 S	10/2008	Levine	
D581,572 S	11/2008	Levine	
D582,601 S	12/2008	Levine	
D586,491 S	2/2009	Levine	
7,510,309 B1 *	3/2009	Rizzo et al.	362/418
2004/0252500 A1 *	12/2004	Lin	362/236
2005/0185400 A1 *	8/2005	Hsu	362/238
2006/0250789 A1	11/2006	Coushaine	
2008/0137326 A1	6/2008	Levine	

* cited by examiner

Primary Examiner—Jennifer Rivard

Assistant Examiner—Angela J Lee

(74) *Attorney, Agent, or Firm*—Theodore W. Baker

(57) **CLAIM**

I claim the ornamental design for a lighting device, as shown and described.

DESCRIPTION

FIG. 1 is a perspective view of a lighting device showing my new design, as viewed from the bottom and one side.

FIG. 2 is a first side elevation view of the lighting device of FIG. 1.

FIG. 3 is a second side elevation view of the lighting device of FIG. 1.

FIG. 4 is a back elevation view of the lighting device of FIG. 1.

FIG. 5 is a bottom plan view of the lighting device of FIG. 1.

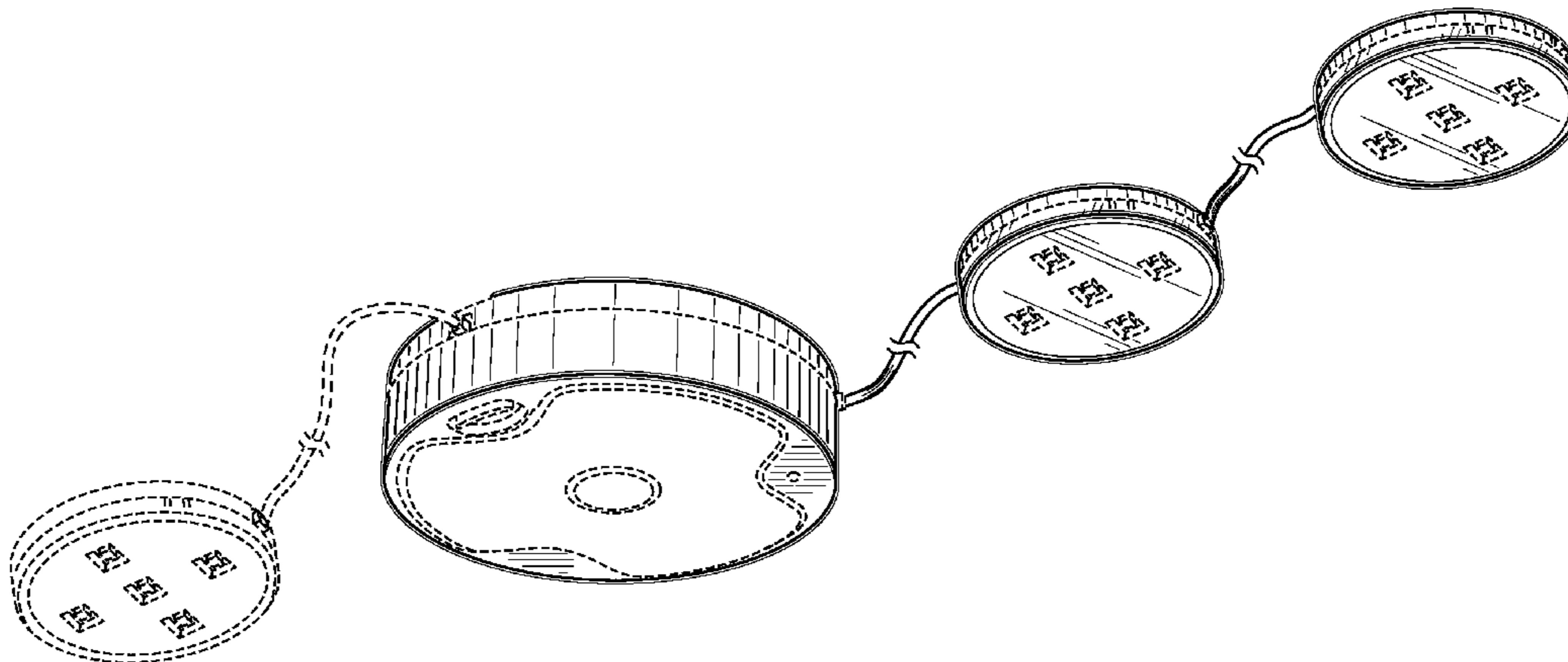
FIG. 6 is a front elevation view of the lighting device of FIG. 1; and,

FIG. 7 is a top plan view of the lighting device of FIG. 1.

The details shown in broken lines illustrate portions of the lighting device that form no part of the claimed design.

The cables between the portions of the lighting device are shown with breaks because no particular length is claimed.

1 Claim, 3 Drawing Sheets



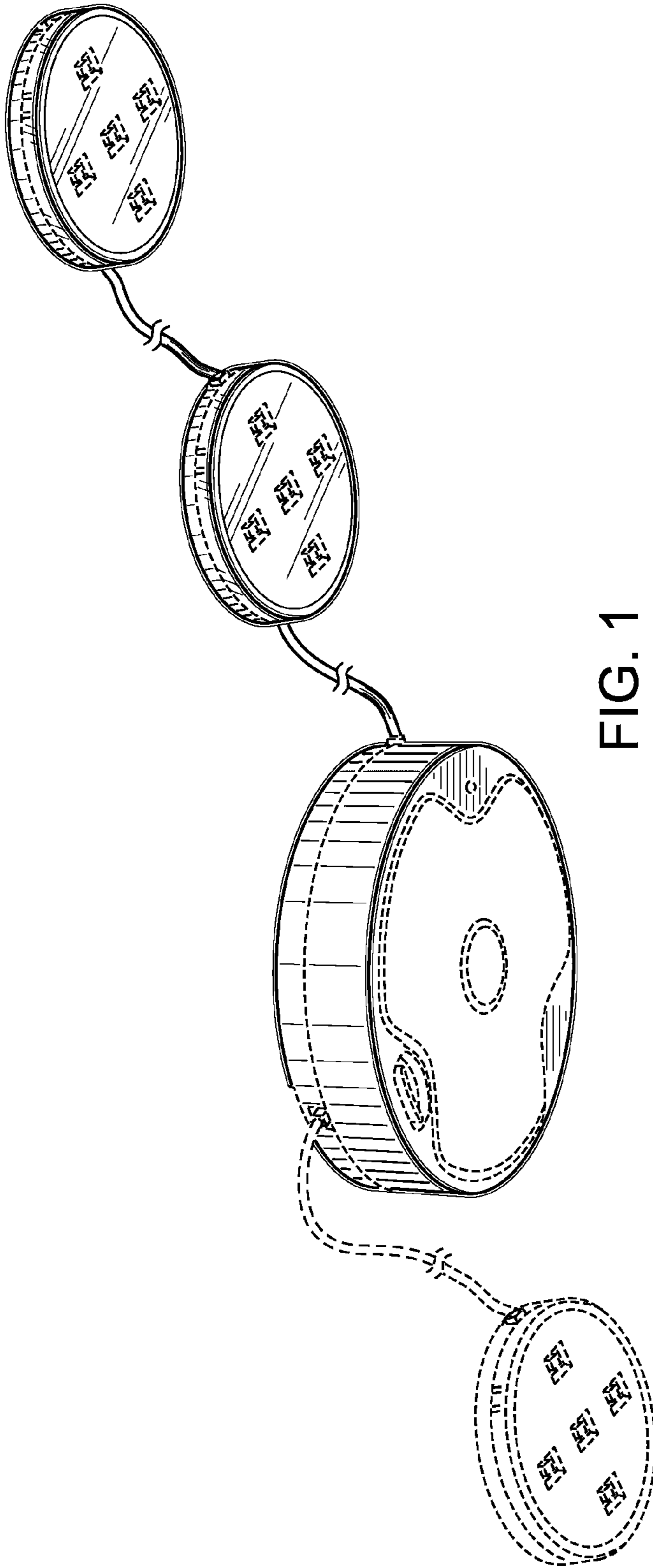


FIG. 1

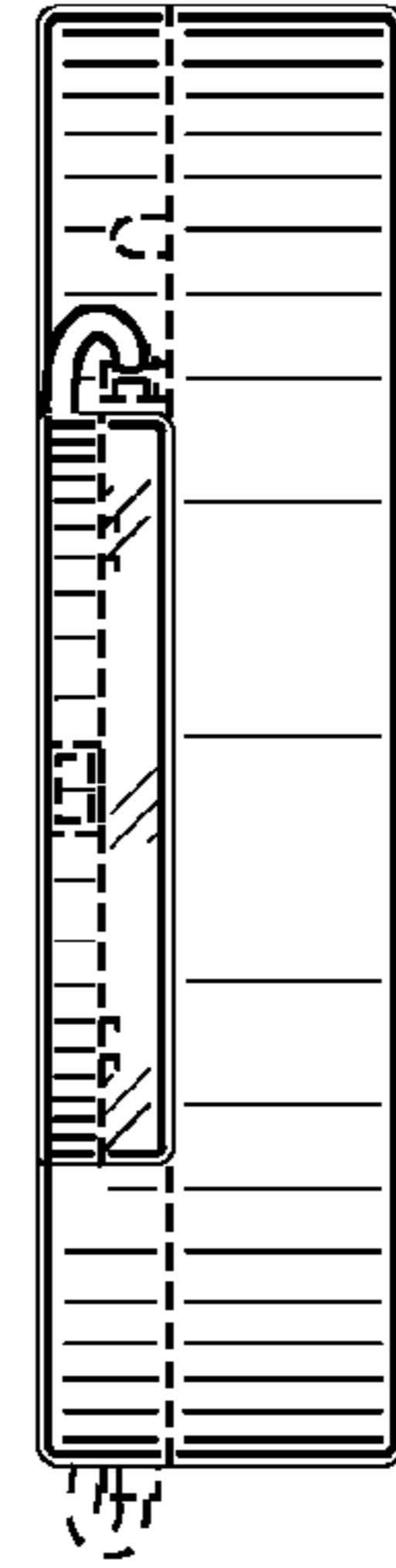


FIG. 3

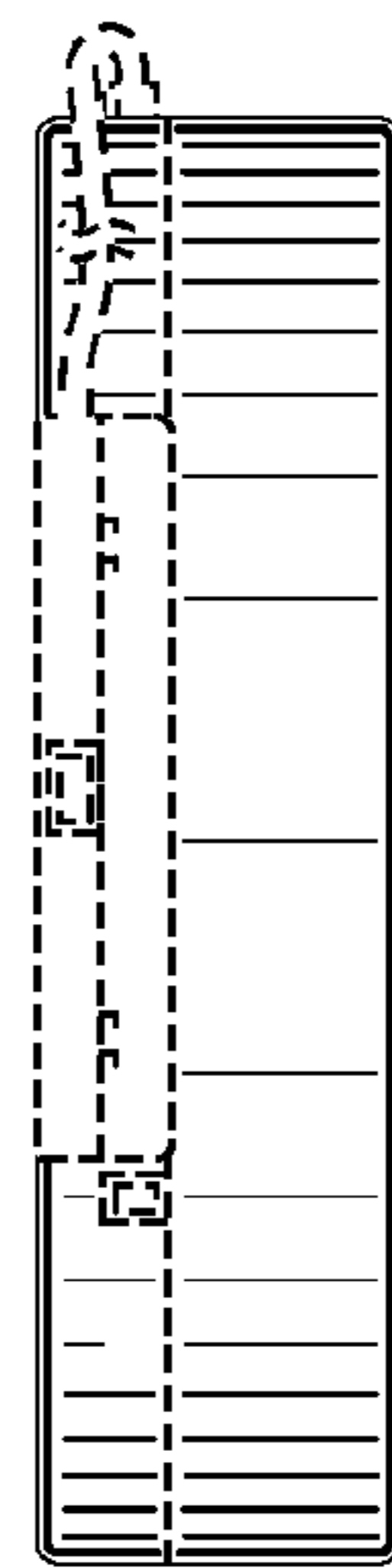


FIG. 2

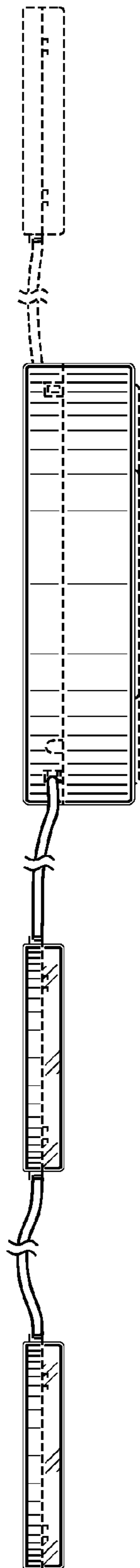


FIG. 4

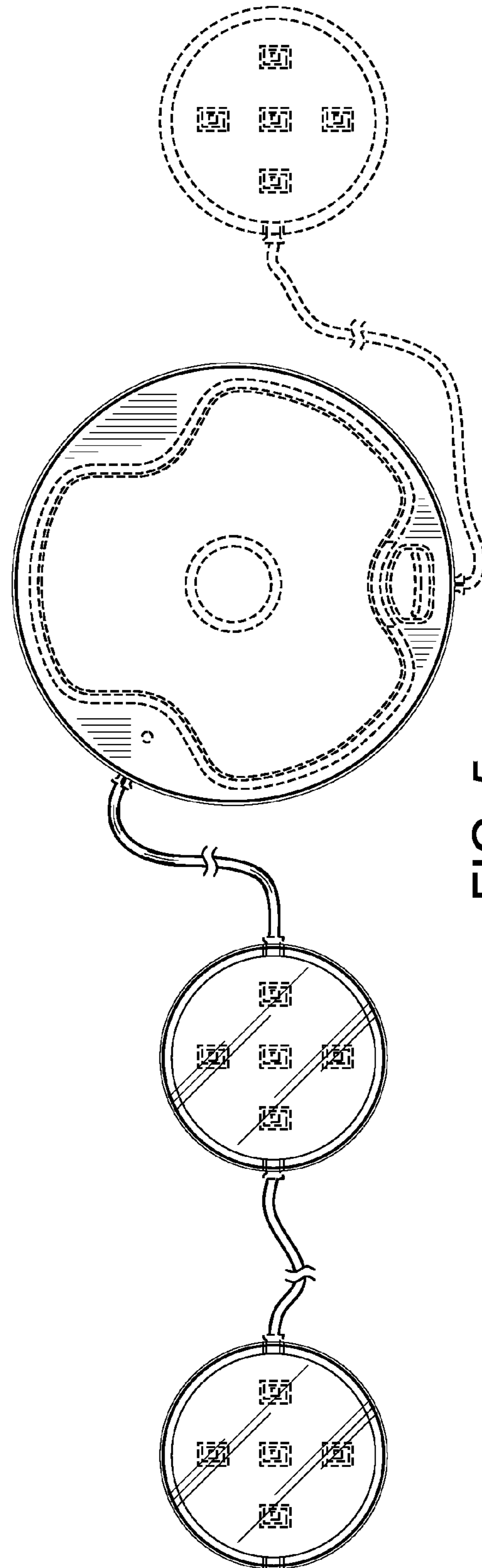


FIG. 5

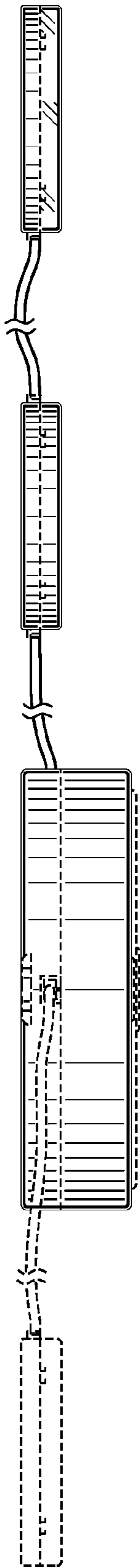


FIG. 6

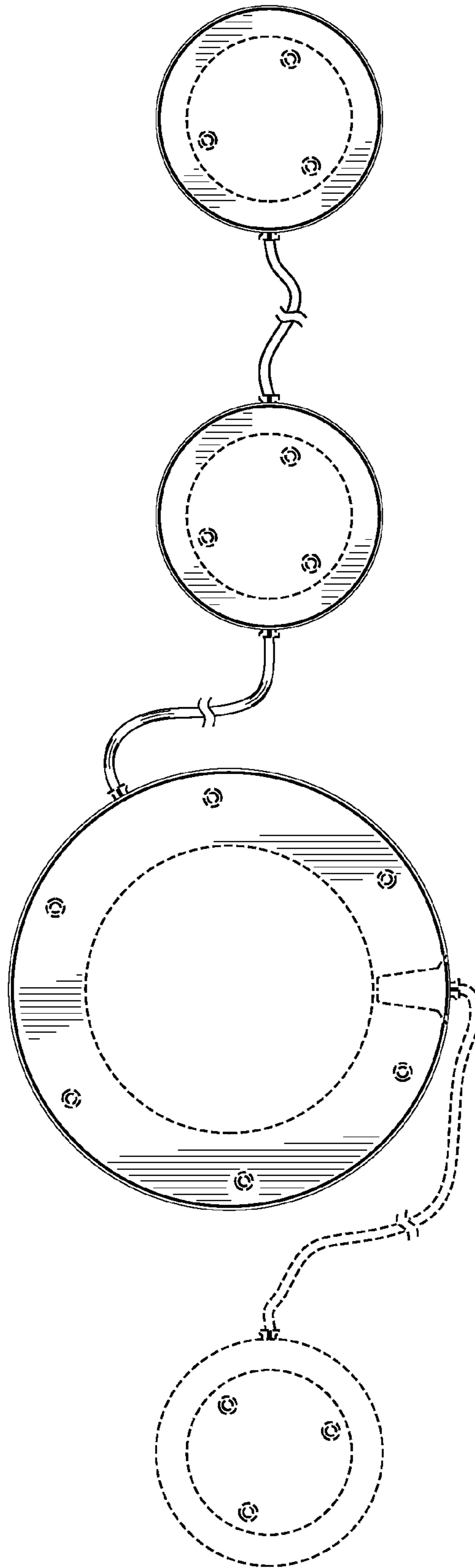


FIG. 7