

US00D598582S

(12) **United States Design Patent**
Pei et al.

(10) **Patent No.:** **US D598,582 S**

(45) **Date of Patent:** **** Aug. 18, 2009**

(54) **LAMP**

D584,428 S * 1/2009 Li et al. D26/2

(75) Inventors: **Chien-Chang Pei**, Tu Chen (TW);
Yi-Hung Chen, Tu Chen (TW); **Yu-Ju Liu**, Tu Chen (TW)

* cited by examiner

Primary Examiner—Marcus A. Jackson
(74) *Attorney, Agent, or Firm*—Grossman, Tucker, Perreault & Pflieger, PLLC

(73) Assignee: **Everlight Electronics Co., Ltd.**, Tu Chen (TW)

(57) **CLAIM**

(**) Term: **14 Years**

The ornamental design for a lamp, as shown and described.

(21) Appl. No.: **29/332,905**

DESCRIPTION

(22) Filed: **Feb. 27, 2009**

FIG. 1 is a perspective view of a lamp showing the claimed design;

Related U.S. Application Data

(63) Continuation-in-part of application No. 29/318,696, filed on May 26, 2008.

FIG. 2 is another perspective view thereof;

(51) **LOC (9) Cl.** **26-04**

(52) **U.S. Cl.** **D26/2**

(58) **Field of Classification Search** D26/1-4;
313/313, 315, 316, 317, 318, 493; 315/52,
315/53, 56, 57, 58

FIG. 3 is a front elevational view thereof;

FIG. 4 is a rear elevational view thereof;

FIG. 5 is a right side elevational view thereof;

FIG. 6 is a left side elevational view thereof;

FIG. 7 is a top plan view thereof; and,

FIG. 8 is a bottom plan view thereof.

See application file for complete search history.

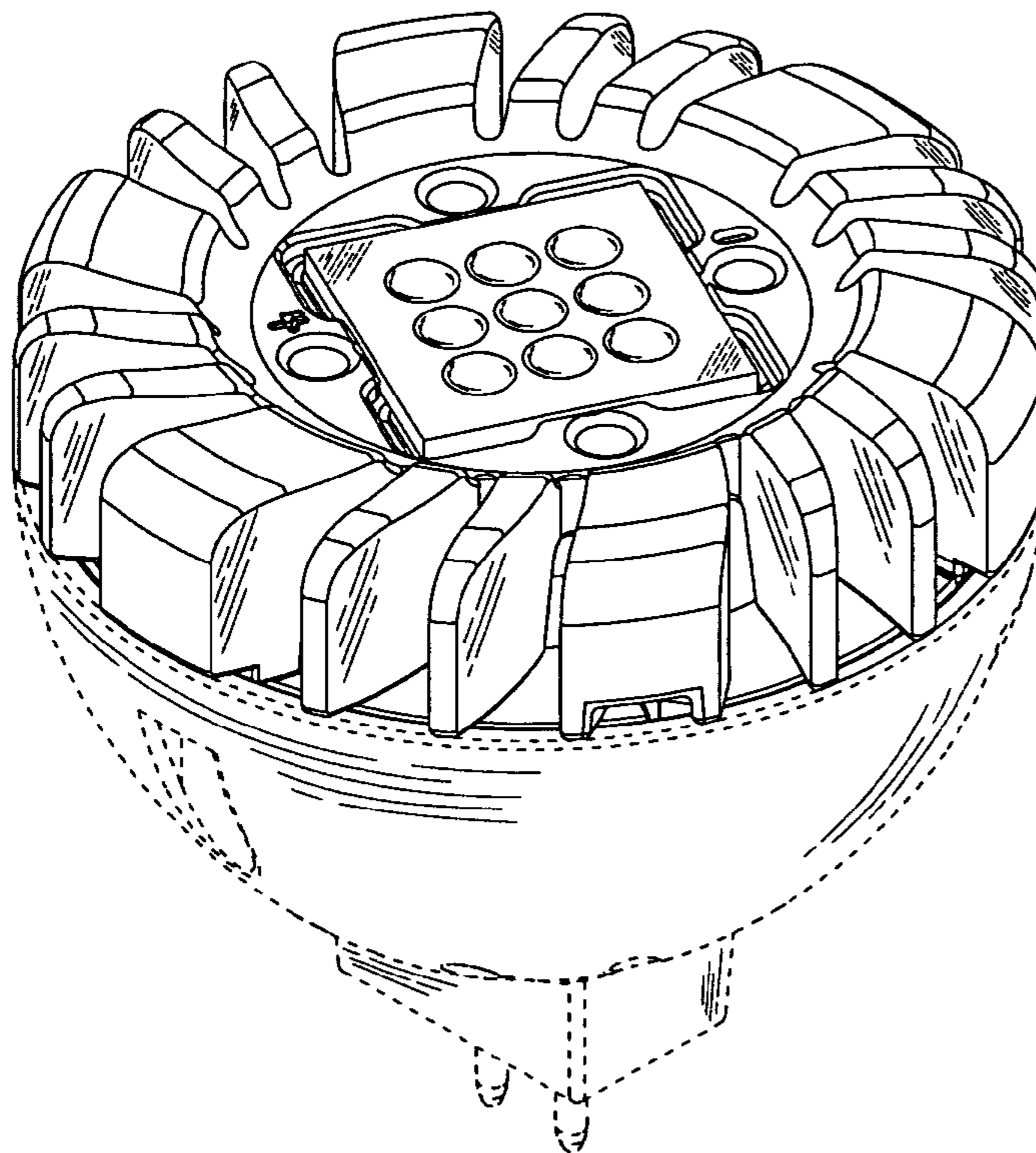
The broken lines immediately adjacent to the shaded areas represent the bounds of the claimed design while all other broken lines are directed to environment and are for illustrative purposes only; the broken lines form no part of the claimed design.

(56) **References Cited**

U.S. PATENT DOCUMENTS

D560,286 S * 1/2008 Maxik et al. D26/2
D566,300 S * 4/2008 Lo D26/2
D570,504 S * 6/2008 Maxik et al. D26/2

1 Claim, 6 Drawing Sheets



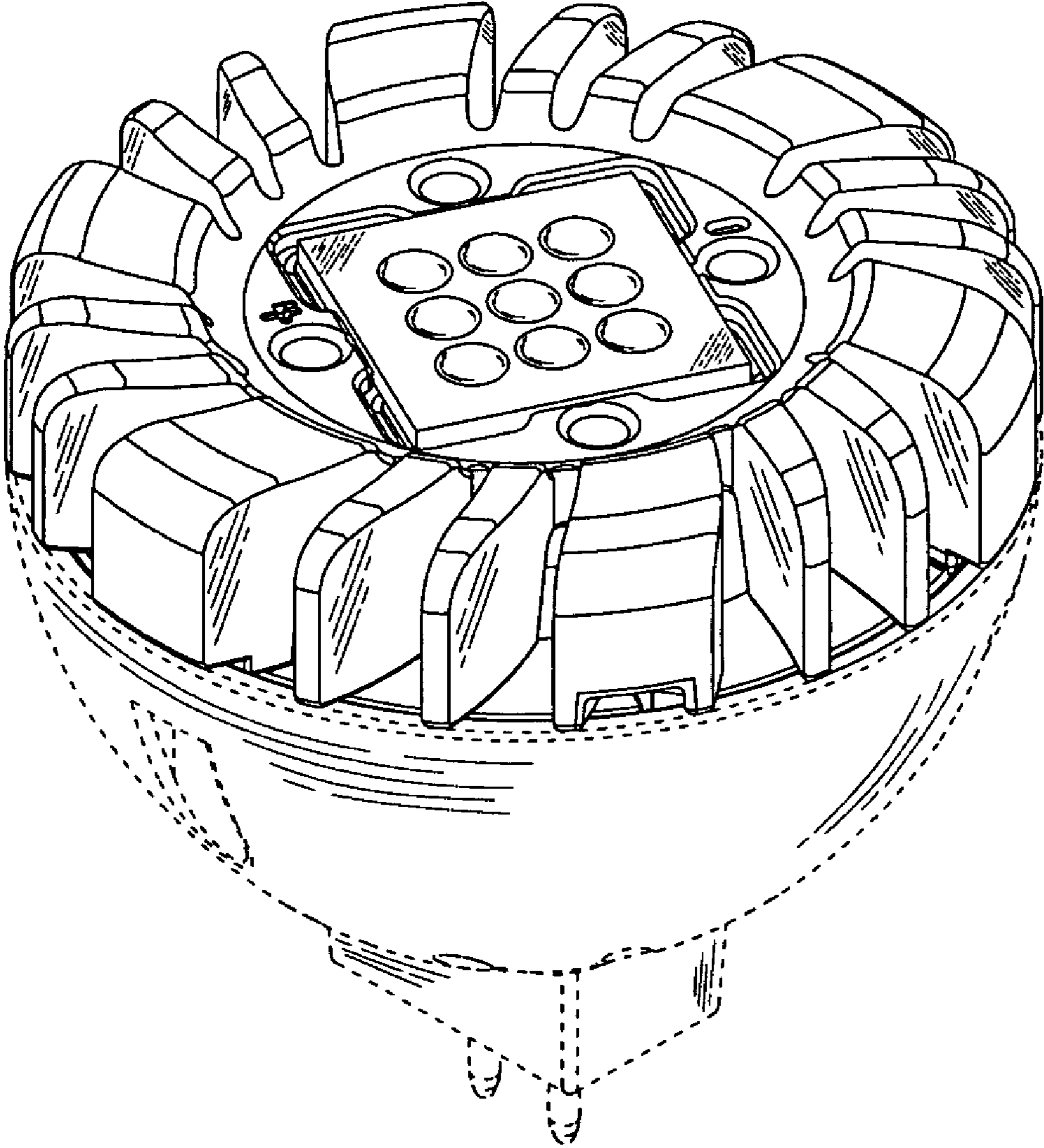


FIG. 1

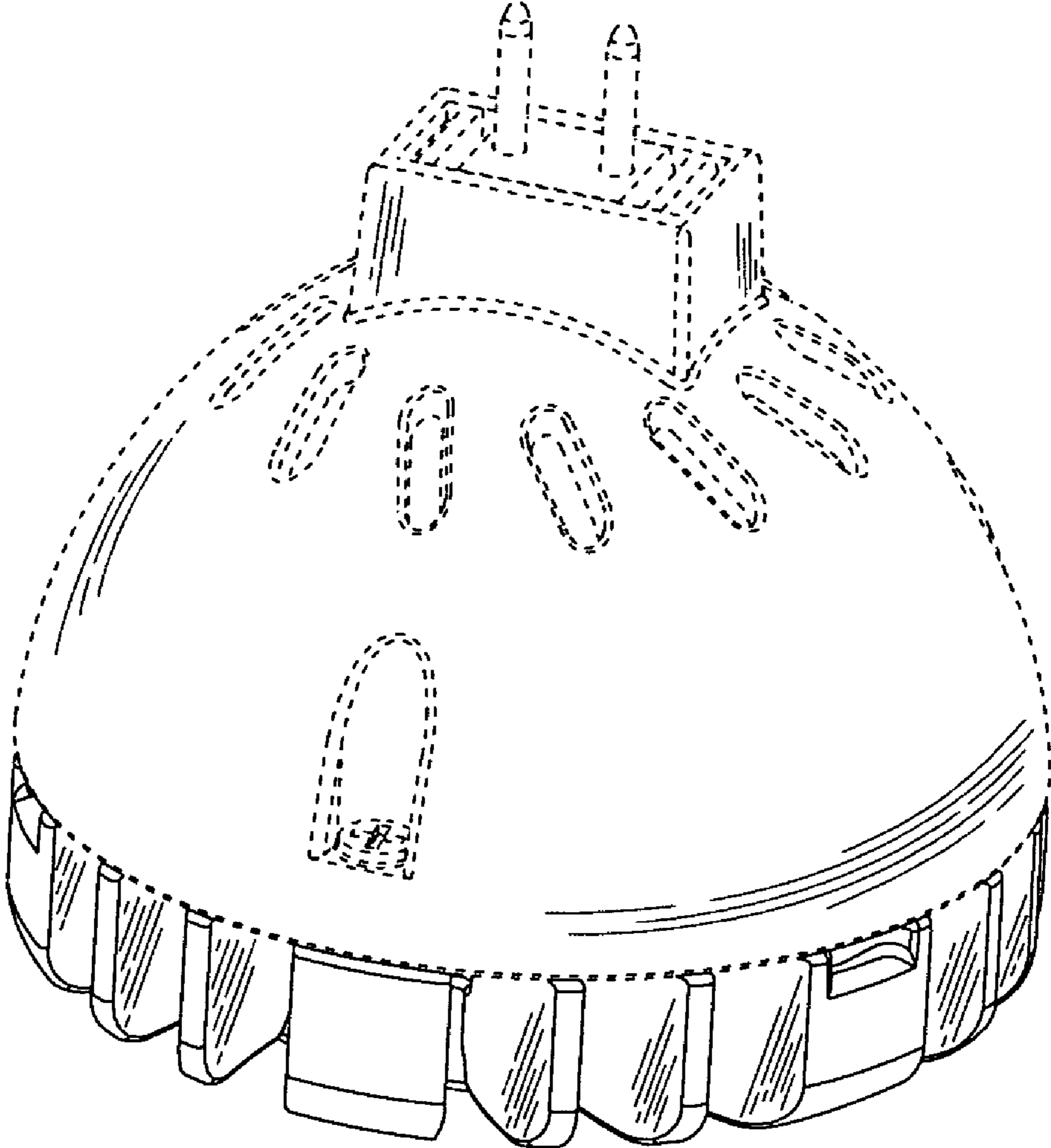


FIG. 2

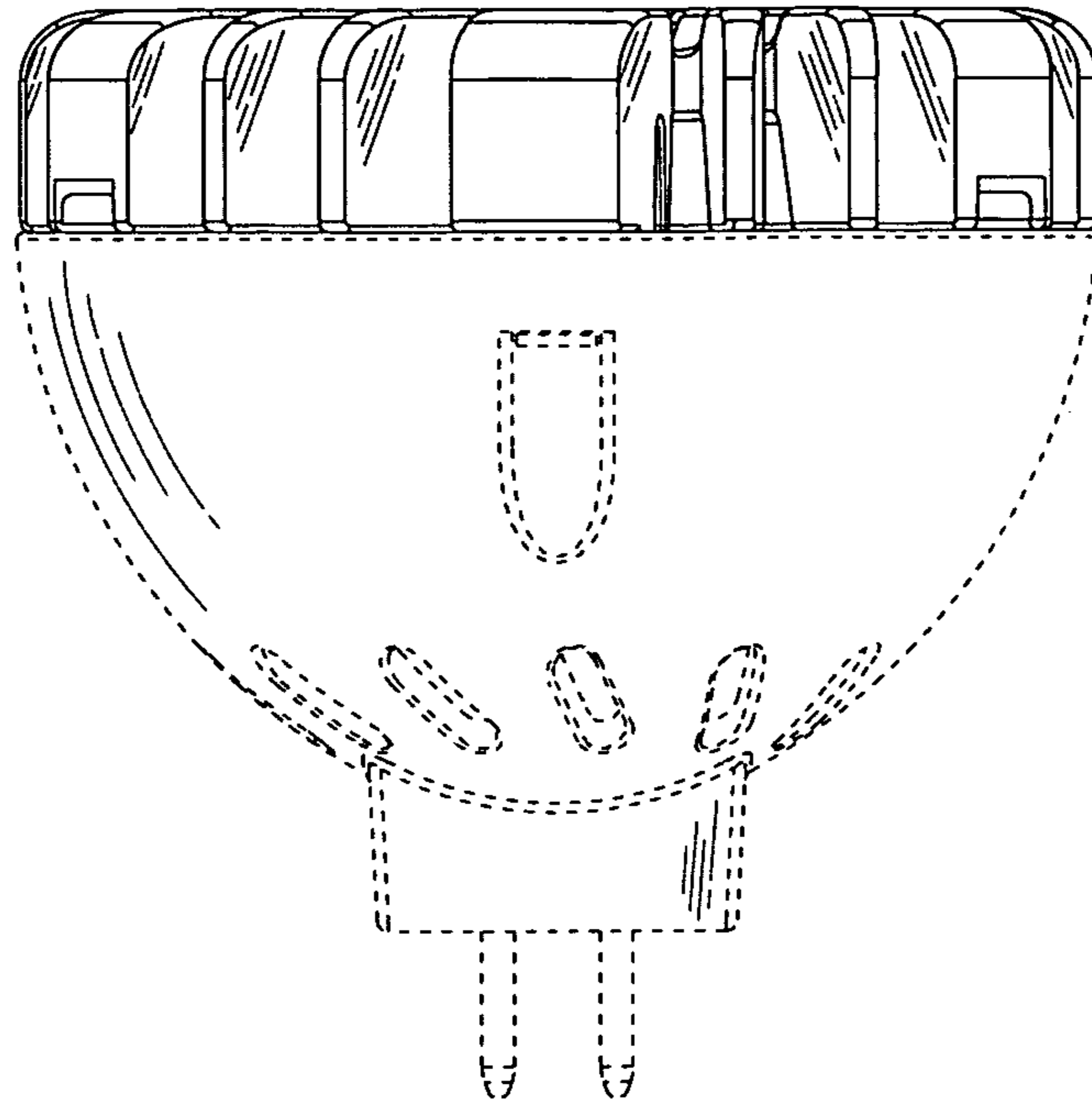


FIG. 3

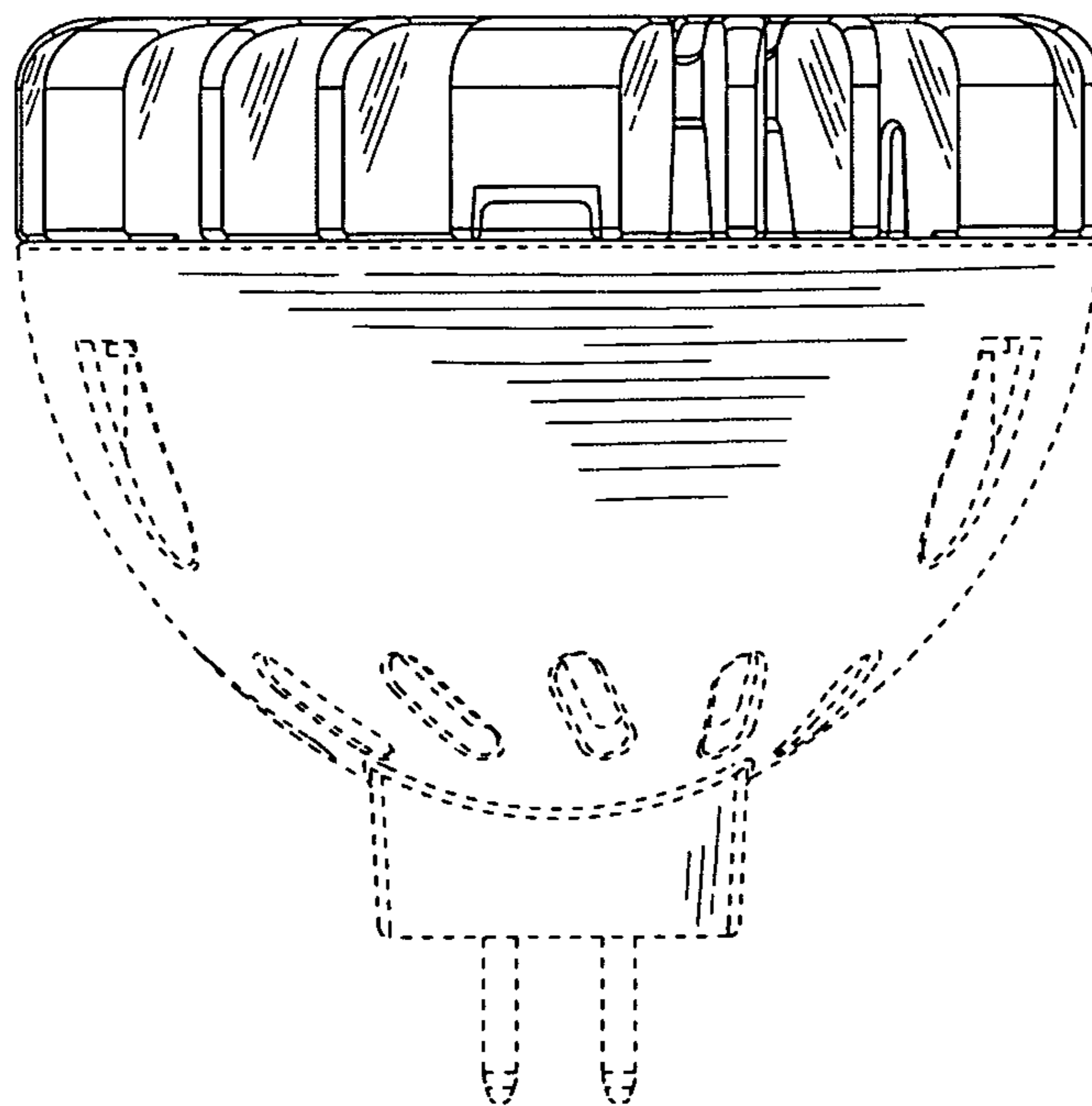


FIG. 4

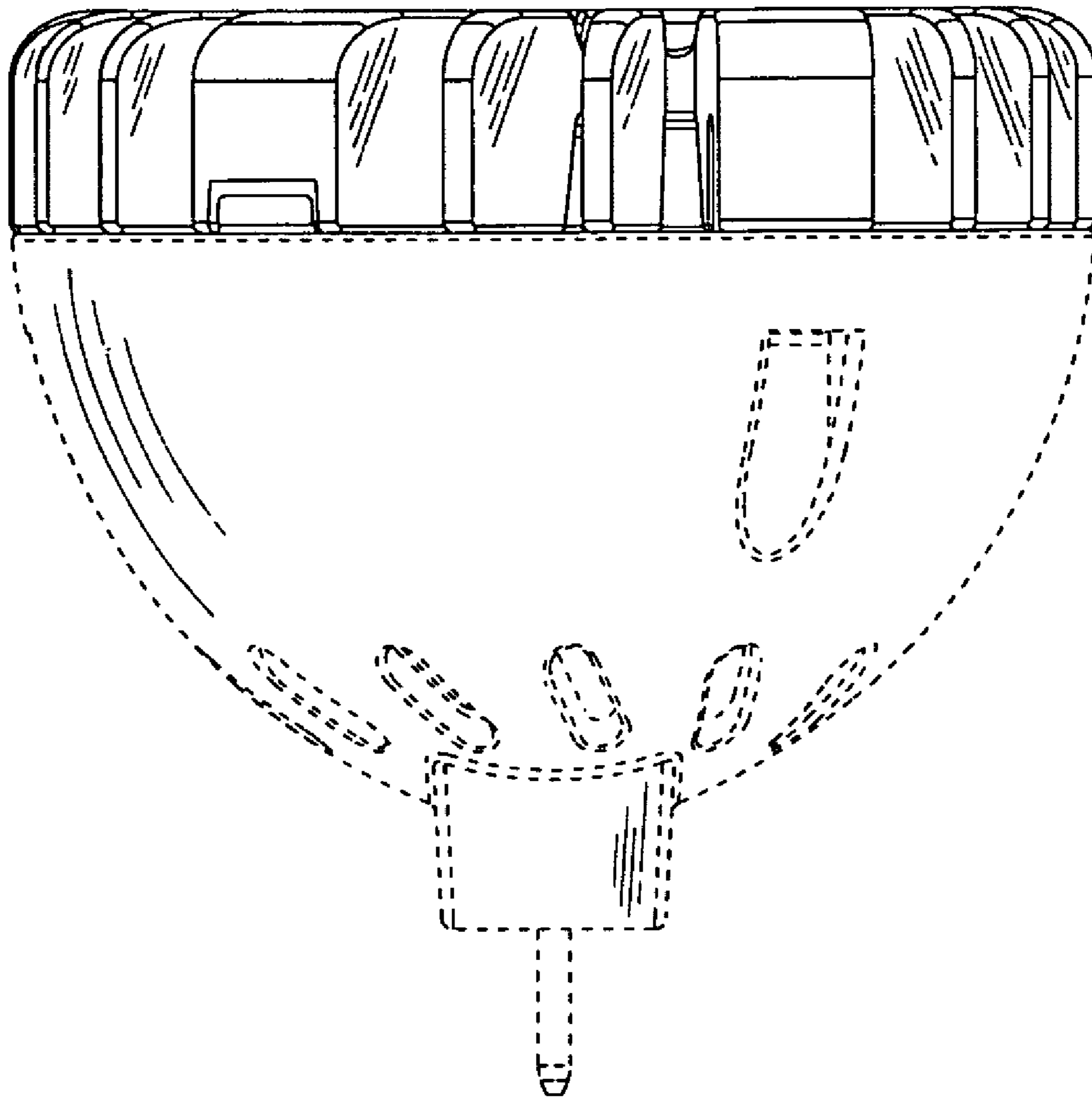


FIG. 5

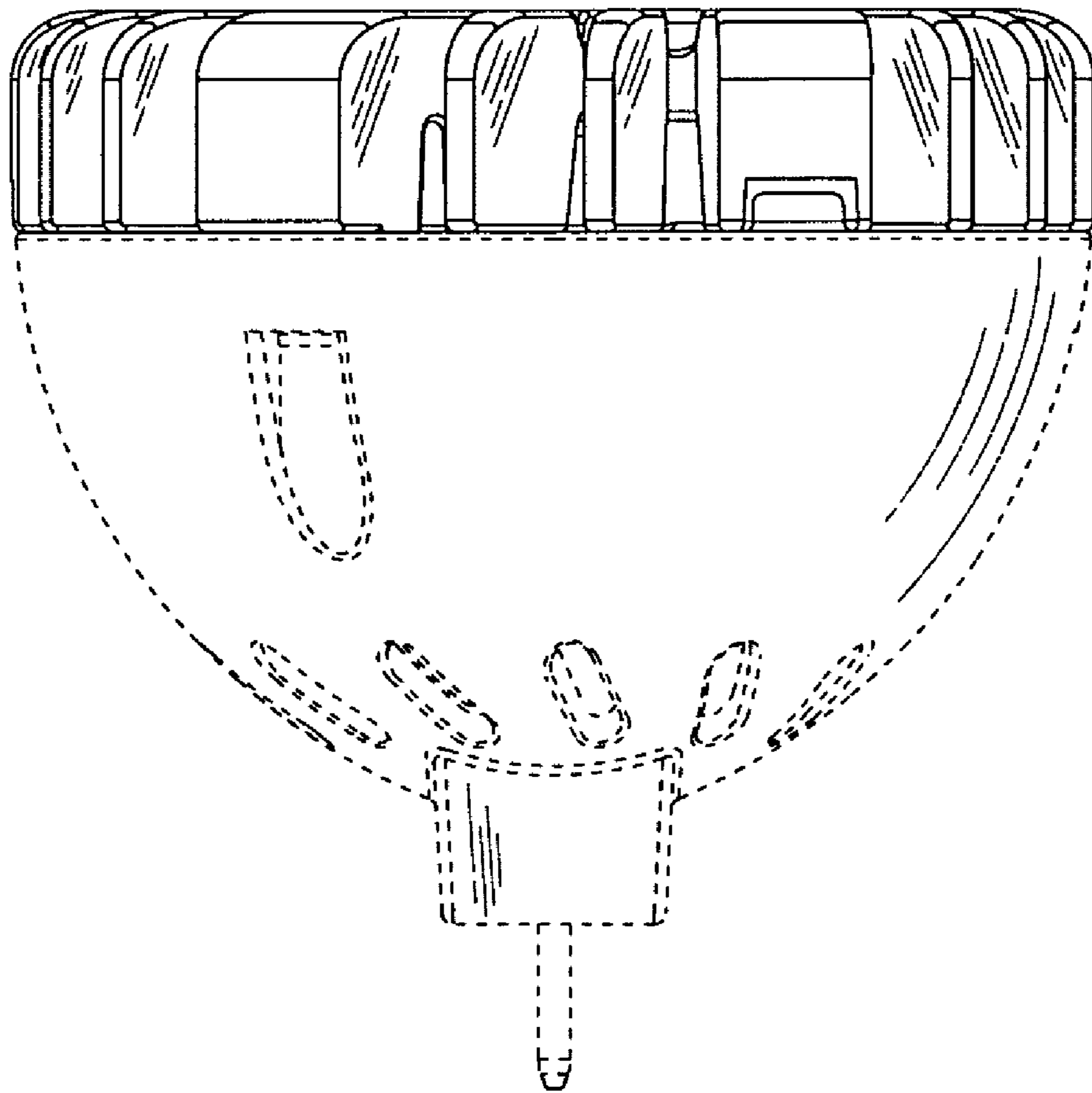


FIG. 6

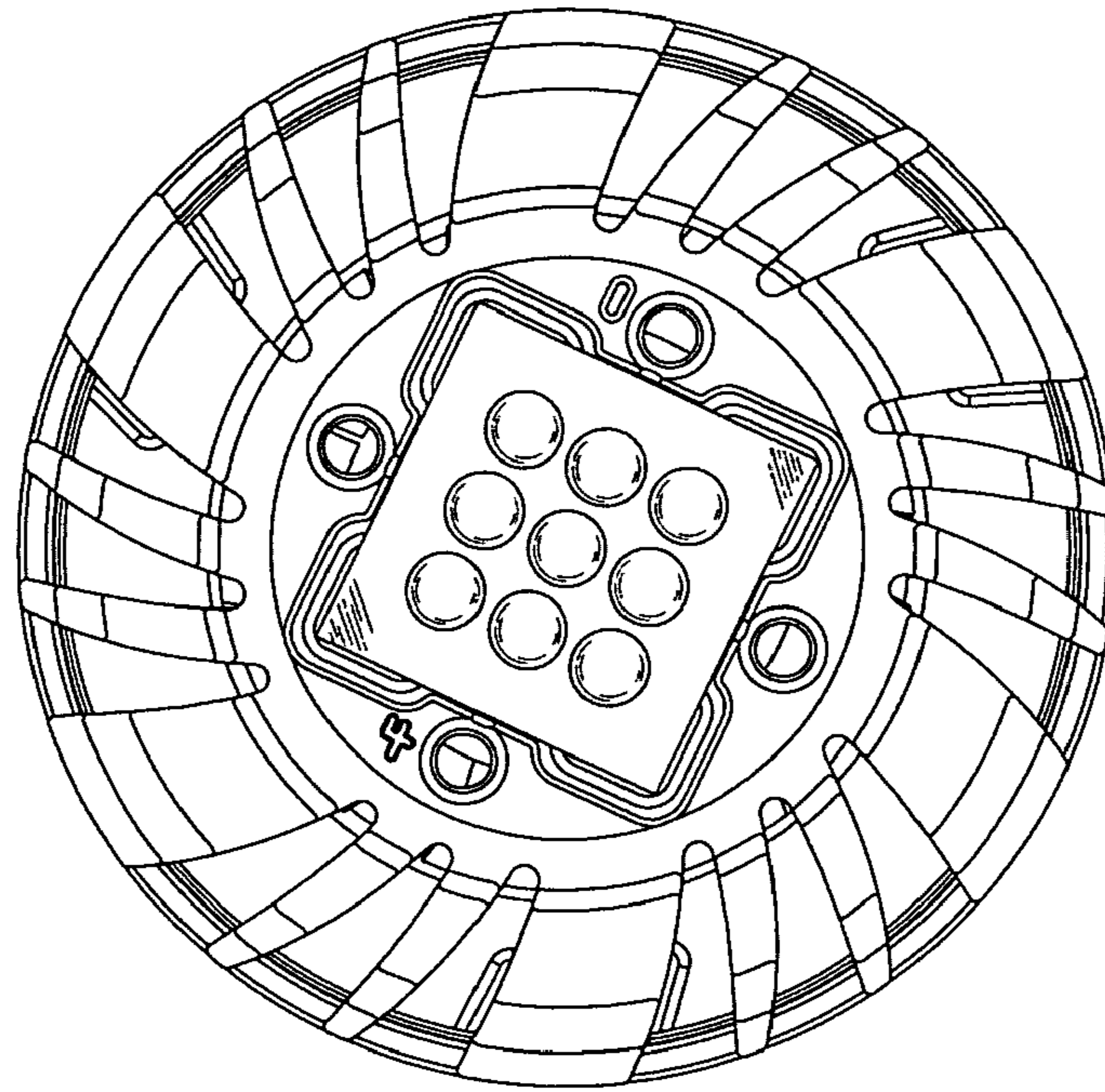


FIG. 7

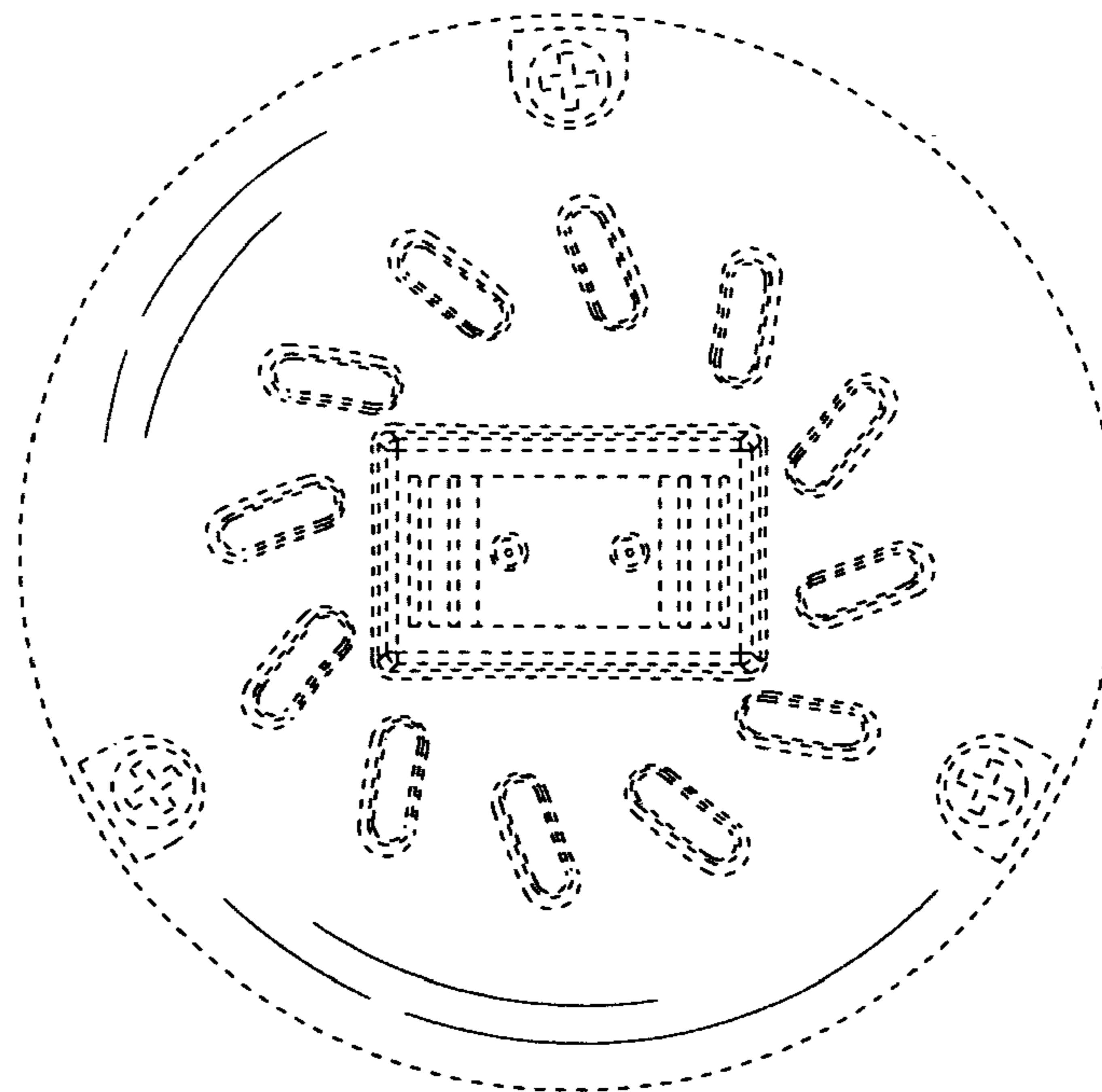


FIG. 8