

US00D598581S

(12) **United States Design Patent**
Reyhan

(10) **Patent No.:** **US D598,581 S**

(45) **Date of Patent:** **** Aug. 18, 2009**

(54) **LED BULB**

(75) **Inventor:** **Frederick B. Reyhan**, Diamond Bar, CA
(US)

(73) **Assignee:** **Lights of America, Inc.**, Walnut, CA
(US)

(**) **Term:** **14 Years**

(21) **Appl. No.:** **29/313,521**

(22) **Filed:** **Jan. 15, 2009**

(51) **LOC (9) Cl.** **26-06**

(52) **U.S. Cl.** **D26/2**

(58) **Field of Classification Search** D26/1-4;
313/313, 315, 317, 318, 493; 315/52, 53,
315/56, 57, 58

See application file for complete search history.

(56) **References Cited**

U.S. PATENT DOCUMENTS

D514,715 S * 2/2006 Chen D26/2

D525,729 S * 7/2006 Yeh D26/28

D530,836 S * 10/2006 Johnson D26/2

D547,886 S * 7/2007 Foo D26/2

D561,924 S * 2/2008 Yiu D26/72

* cited by examiner

Primary Examiner—Marcus A. Jackson

(74) *Attorney, Agent, or Firm*—Kuta IP Law LLC; Christina
M. Kuta

(57) **CLAIM**

The ornamental design for an LED bulb, as shown.

DESCRIPTION

FIG. 1 is a perspective view of an LED bulb showing our new
design;

FIG. 2 is a front view thereof;

FIG. 3 is a left side view thereof;

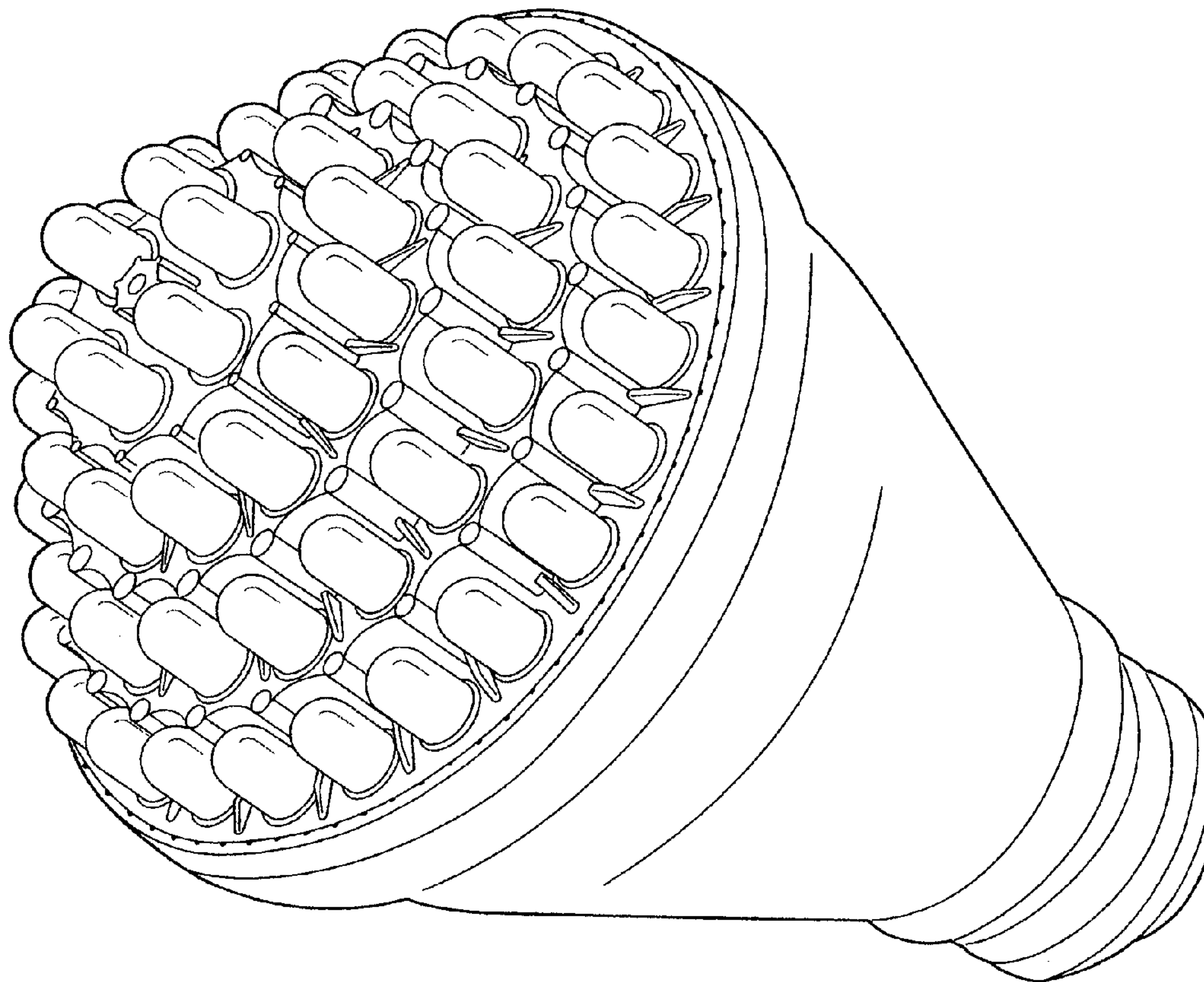
FIG. 4 is a right side view thereof;

FIG. 5 is a top view thereof;

FIG. 6 is a bottom view thereof; and,

FIG. 7 is a back view thereof.

1 Claim, 7 Drawing Sheets



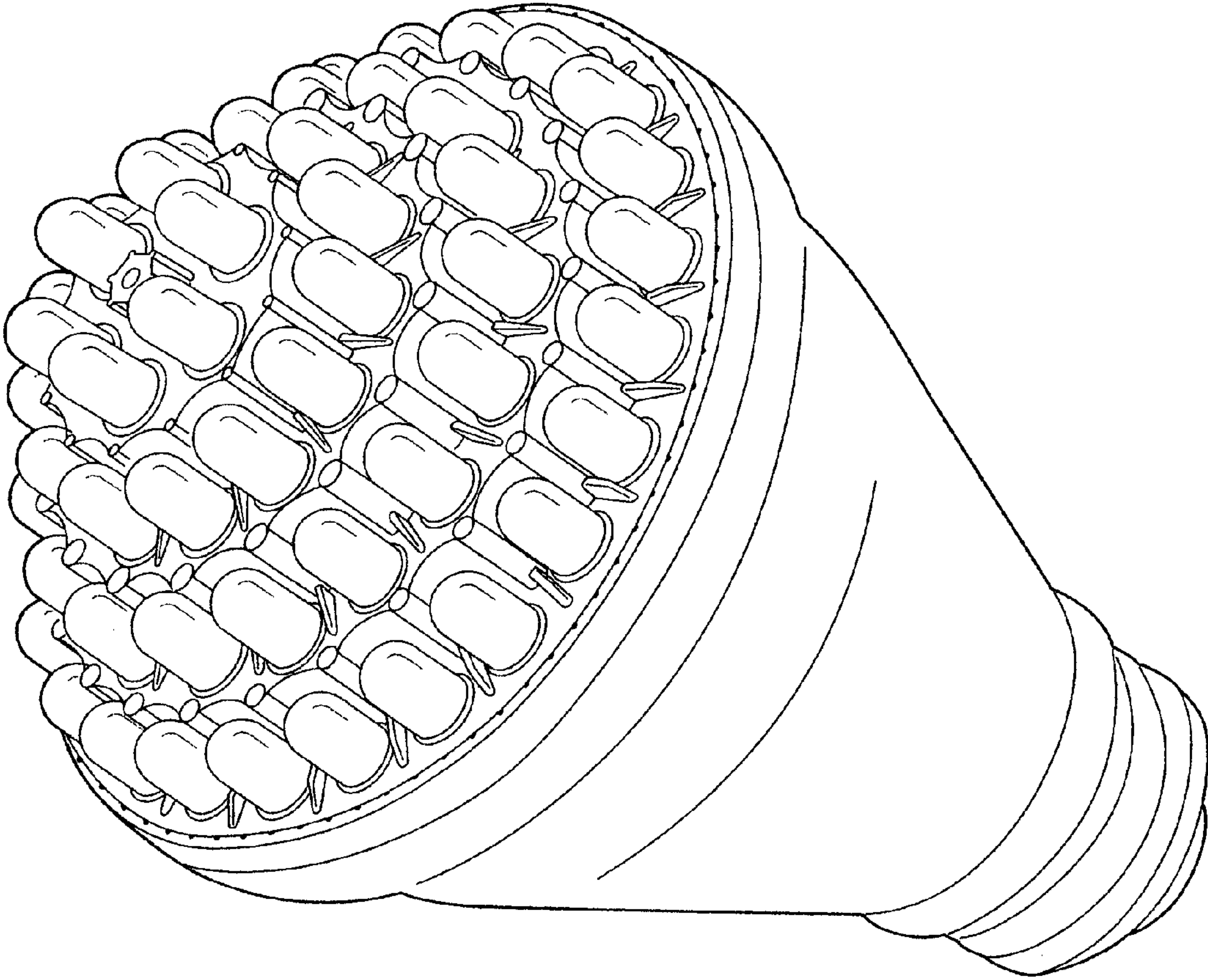


Fig. 1

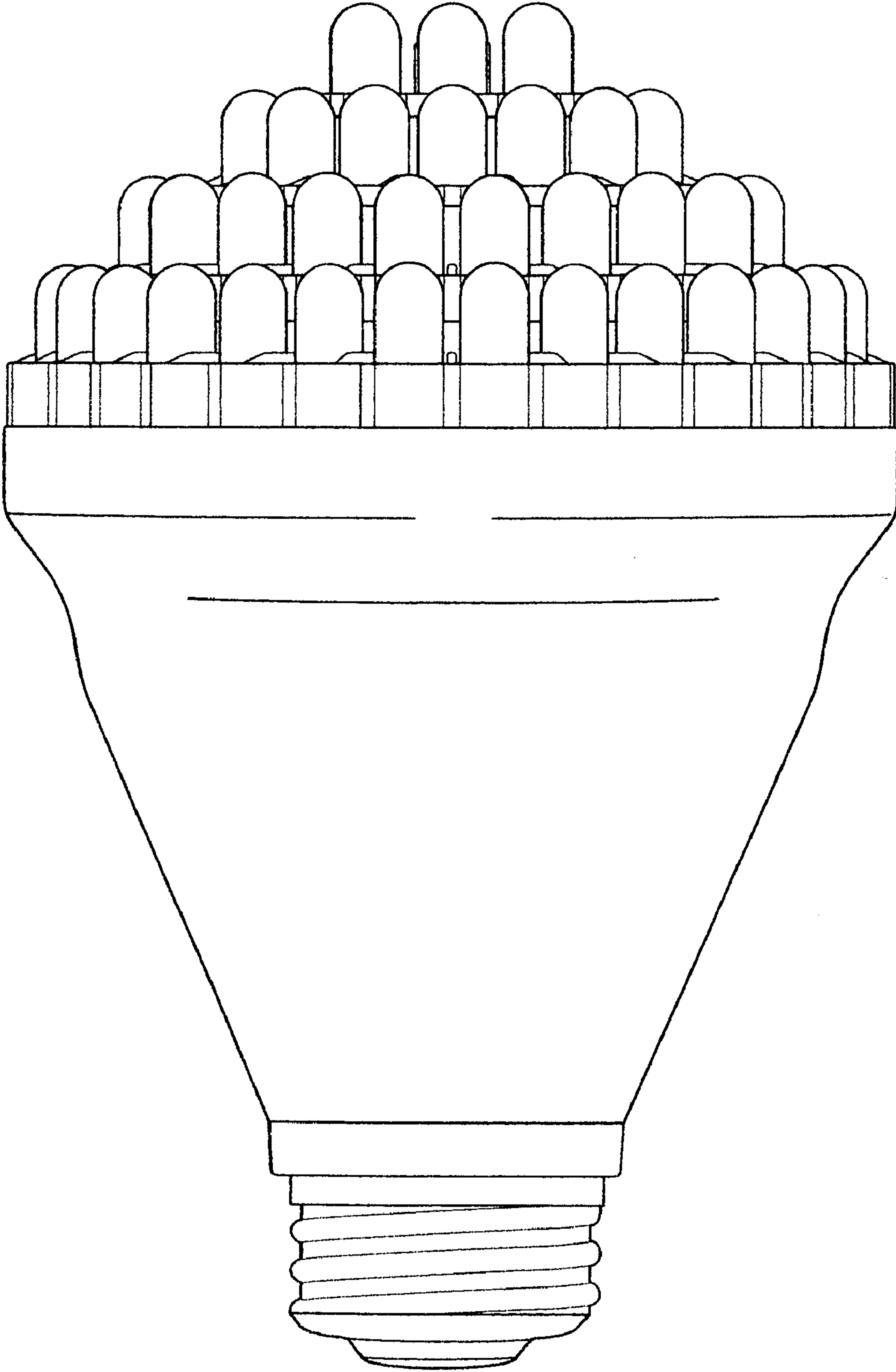


Fig. 2

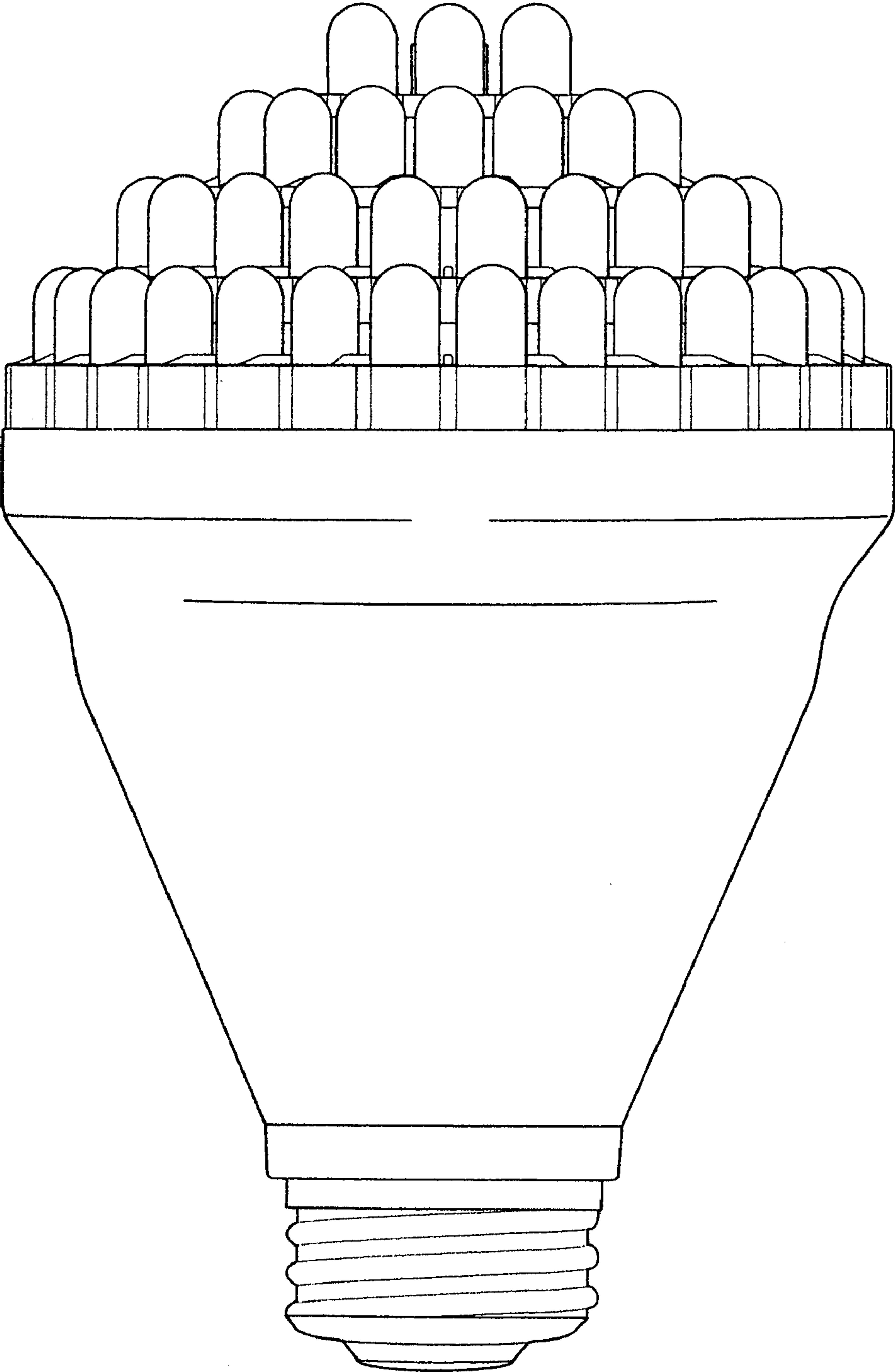


Fig. 3

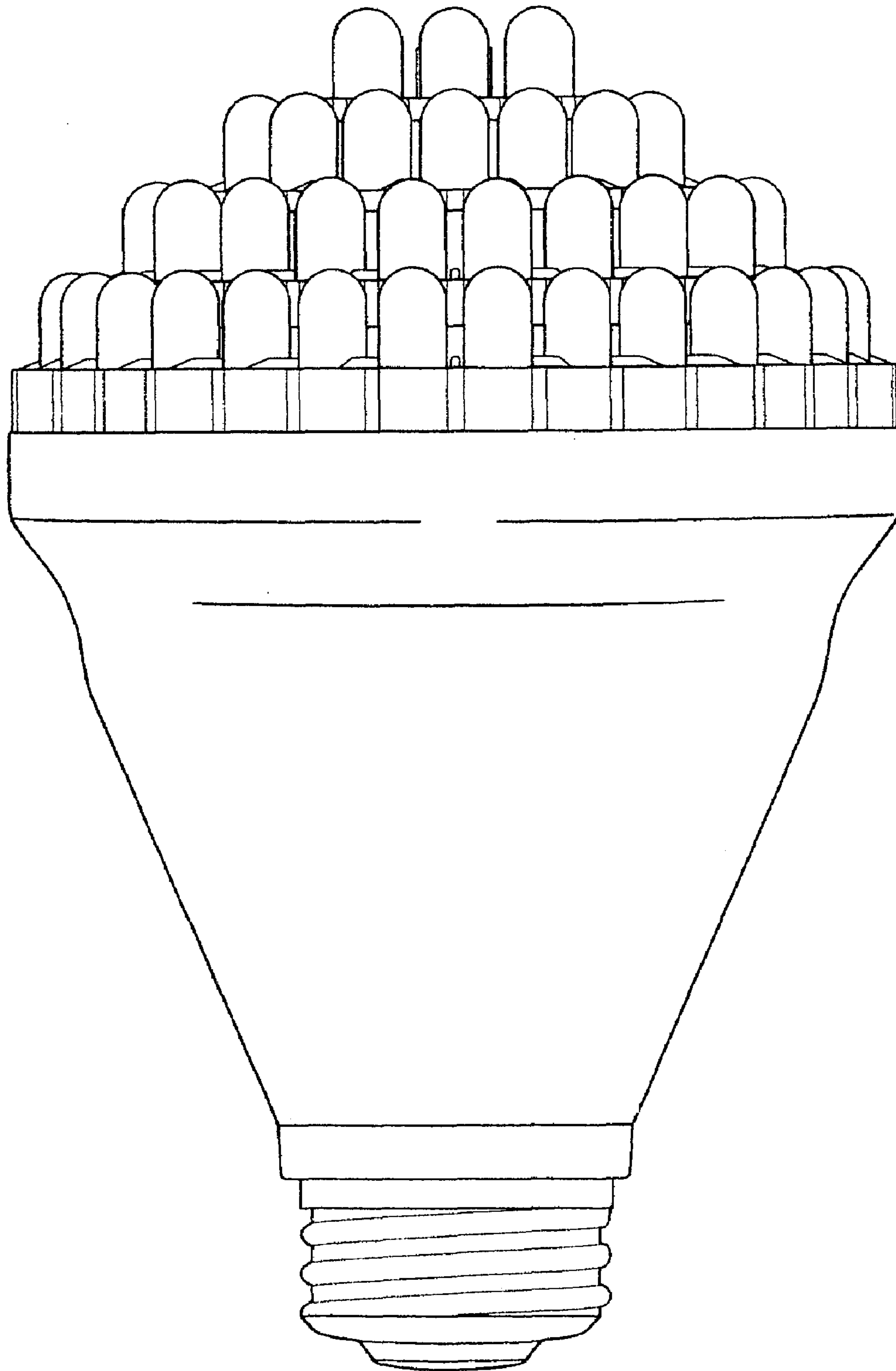


Fig. 4

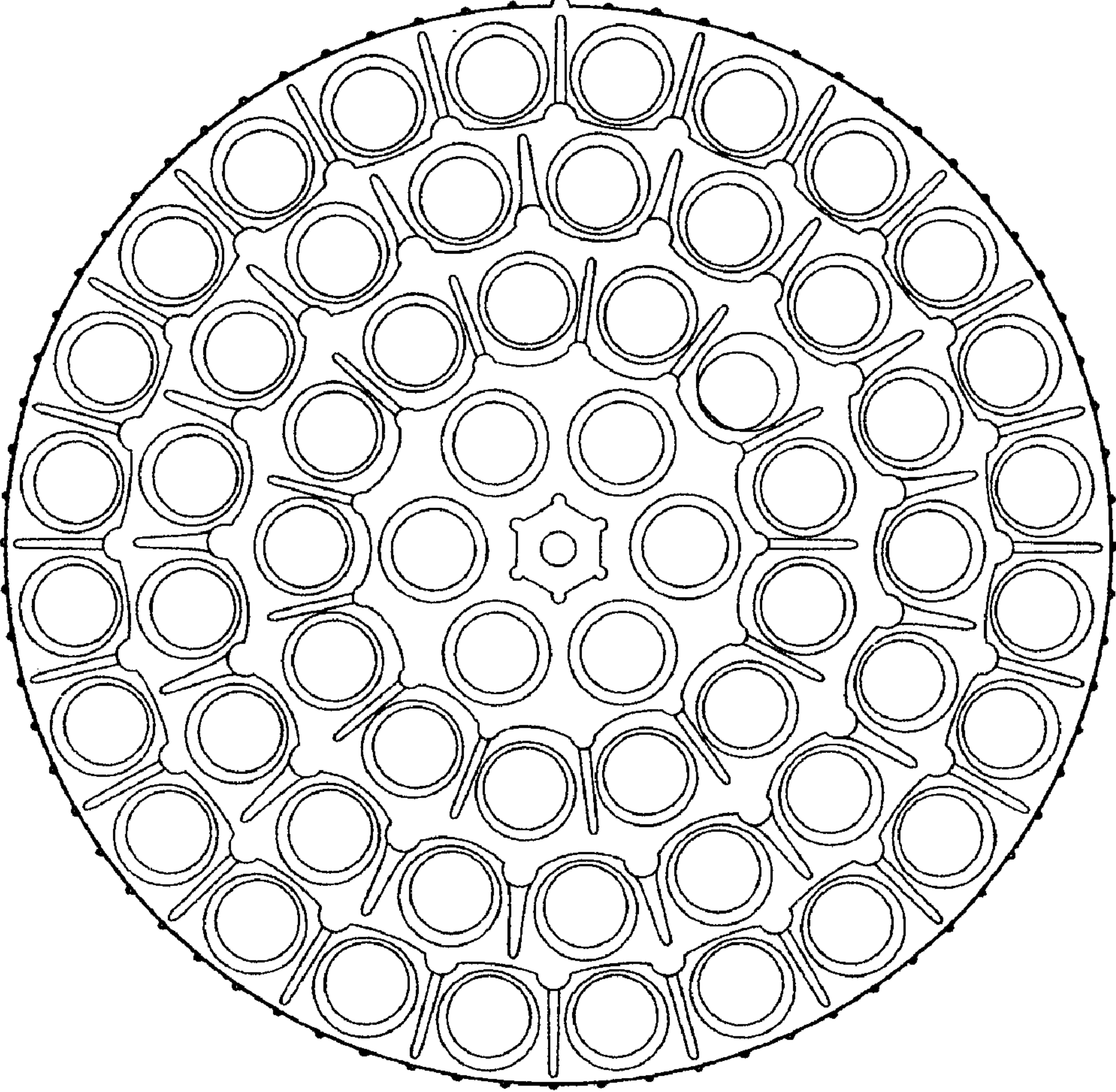


Fig. 5

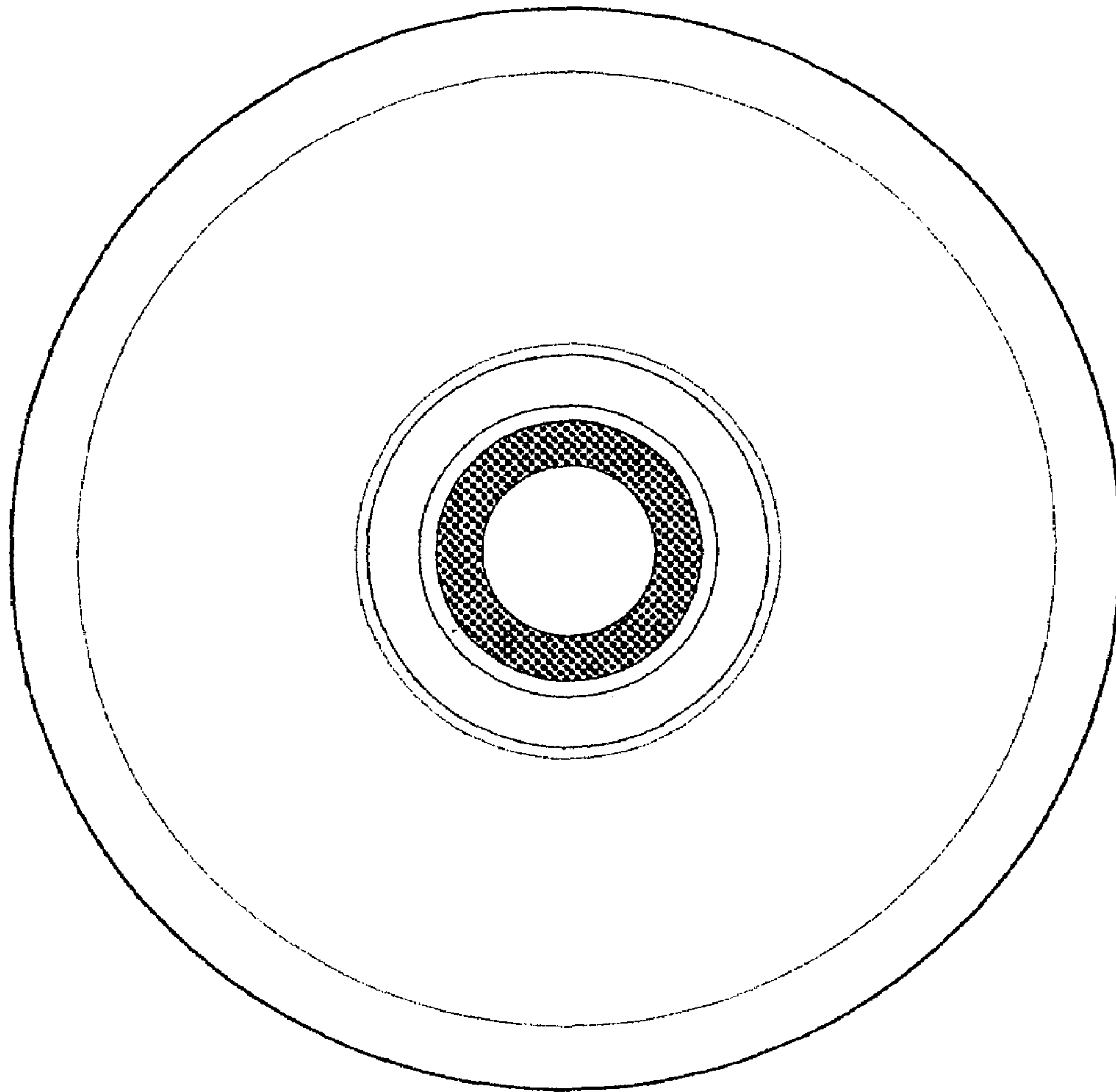


Fig. 6

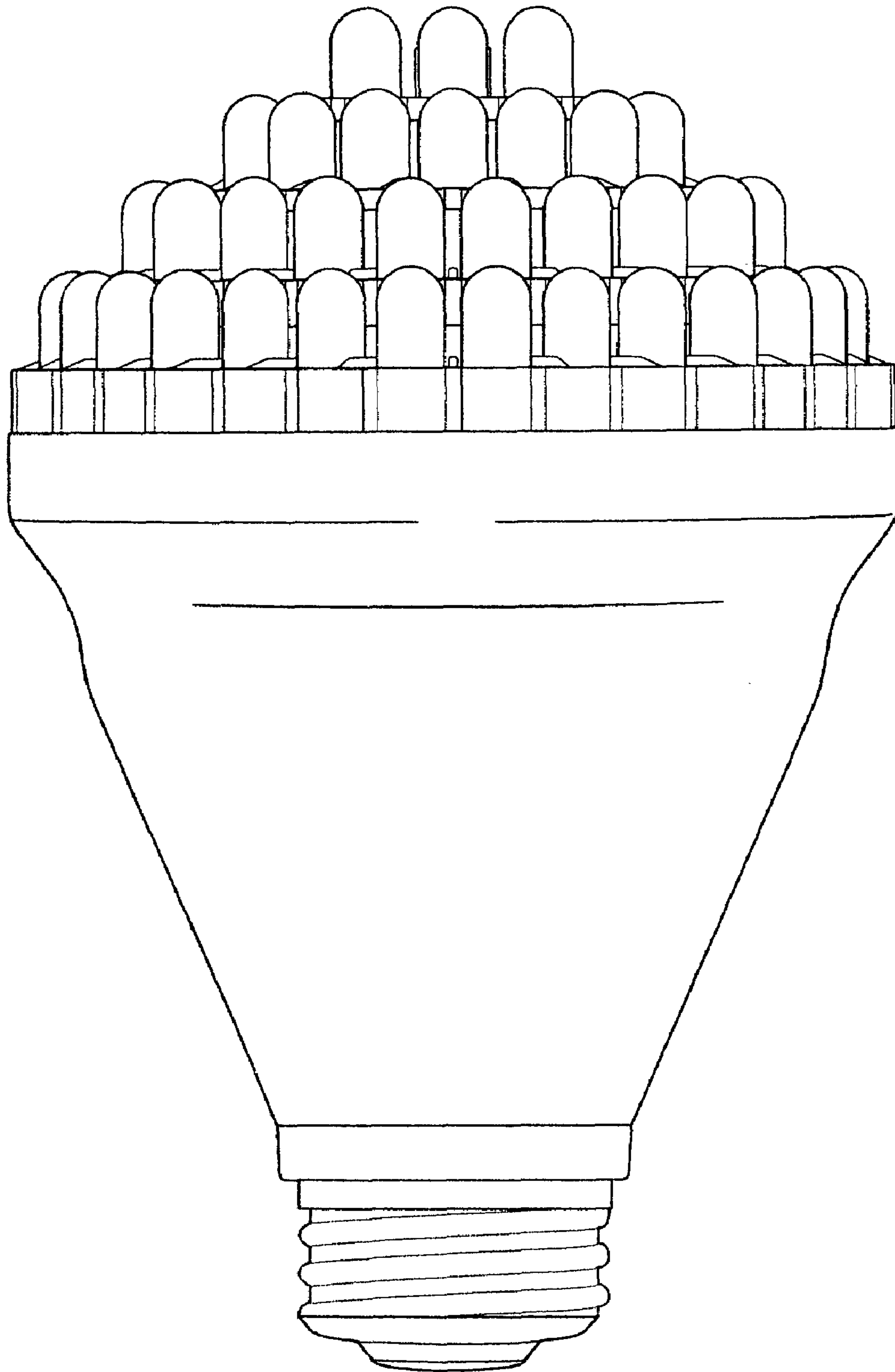


Fig. 7