

US00D598580S

(12) **United States Design Patent**
Reyhan

(10) **Patent No.:** **US D598,580 S**

(45) **Date of Patent:** **** Aug. 18, 2009**

(54) **LED BULB**

D530,836 S * 10/2006 Johnson D26/2
D547,886 S * 7/2007 Foo D26/2
D561,924 S * 2/2008 Yiu D26/72

(75) Inventor: **Frederick B. Reyhan**, Diamond Bar, CA
(US)

* cited by examiner

(73) Assignee: **Lights of America, Inc.**, Walnut, CA
(US)

Primary Examiner—Marcus A. Jackson

(74) *Attorney, Agent, or Firm*—Kuta IP Law LLC; Christine
M. Kuta

(**) Term: **14 Years**

(57) **CLAIM**

(21) Appl. No.: **29/313,520**

The ornamental design for an LED bulb, as shown.

(22) Filed: **Jan. 15, 2009**

DESCRIPTION

(51) **LOC (9) Cl.** **26-06**

FIG. 1 is a perspective view of an LED bulb showing our new design;

(52) **U.S. Cl.** **D26/2**

FIG. 2 is a front view thereof;

(58) **Field of Classification Search** D26/1-4;
313/313, 315, 317, 318, 493; 315/52, 53,
315/56, 57, 58

FIG. 3 is a left side view thereof;

See application file for complete search history.

FIG. 4 is a right side view thereof;

FIG. 5 is a top view thereof;

(56) **References Cited**

FIG. 6 is a bottom view thereof; and,

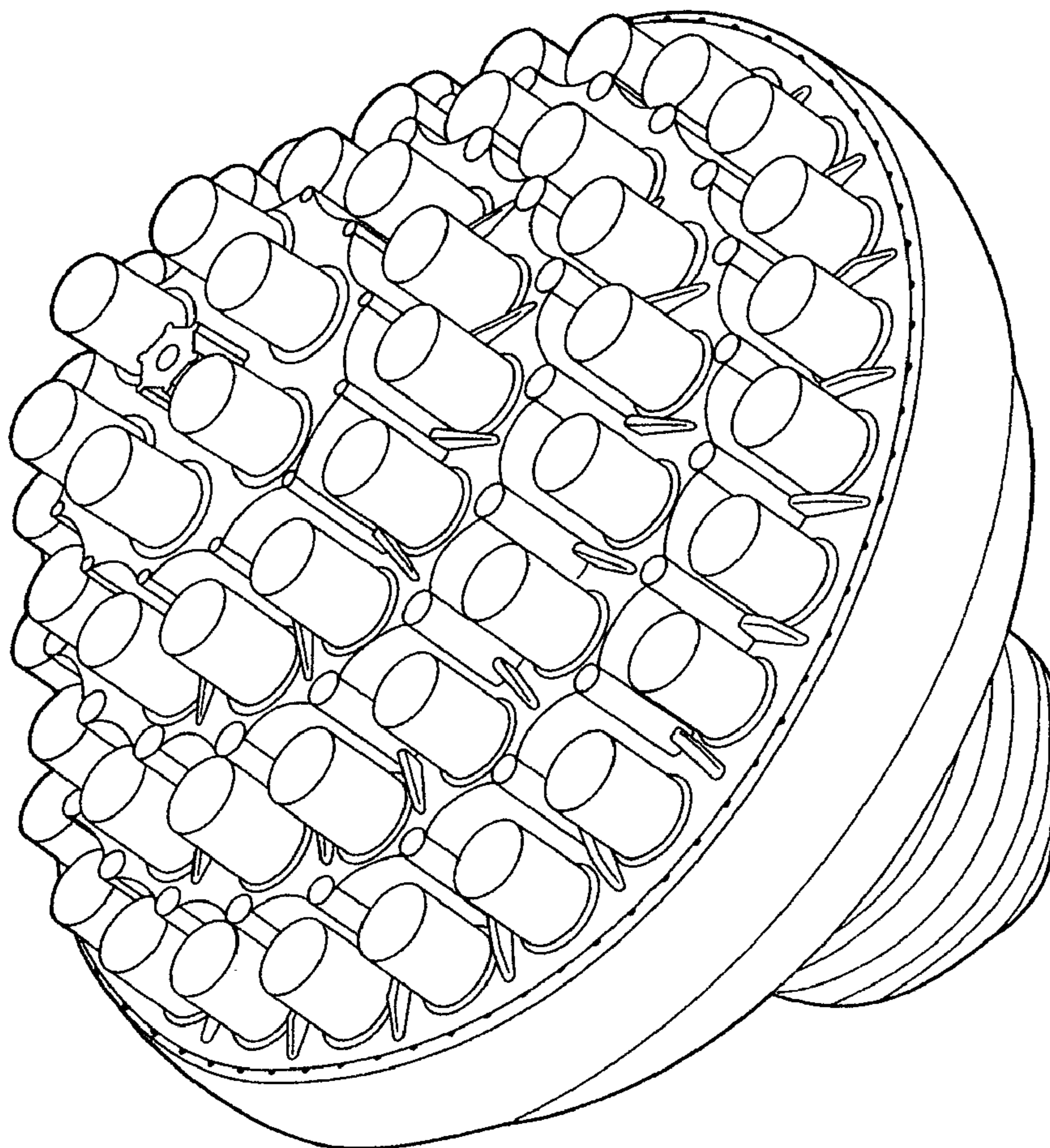
U.S. PATENT DOCUMENTS

FIG. 7 is a back view thereof.

D514,715 S * 2/2006 Chen D26/2

D525,729 S * 7/2006 Yeh D26/28

1 Claim, 7 Drawing Sheets



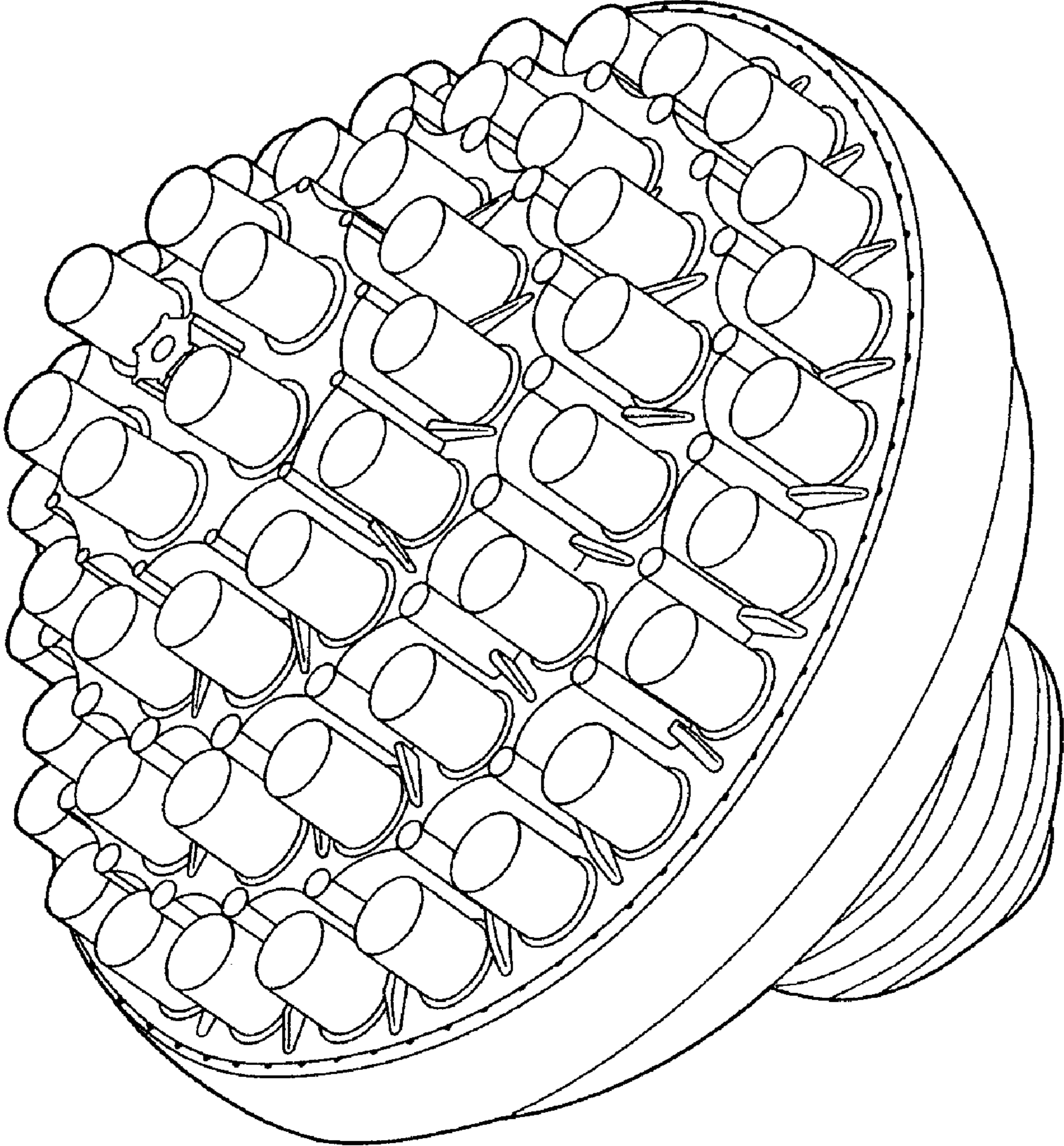


Fig. 1

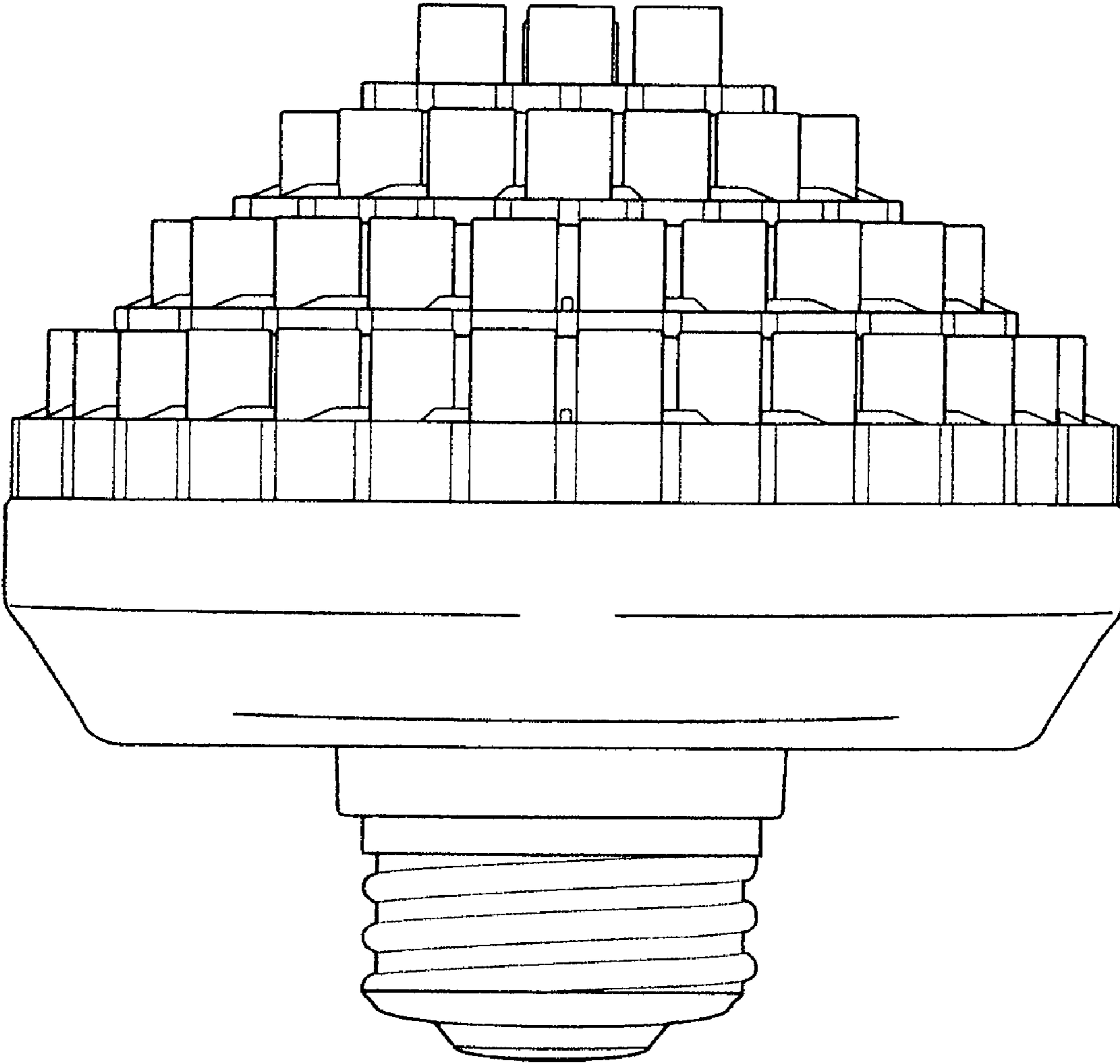


Fig. 2

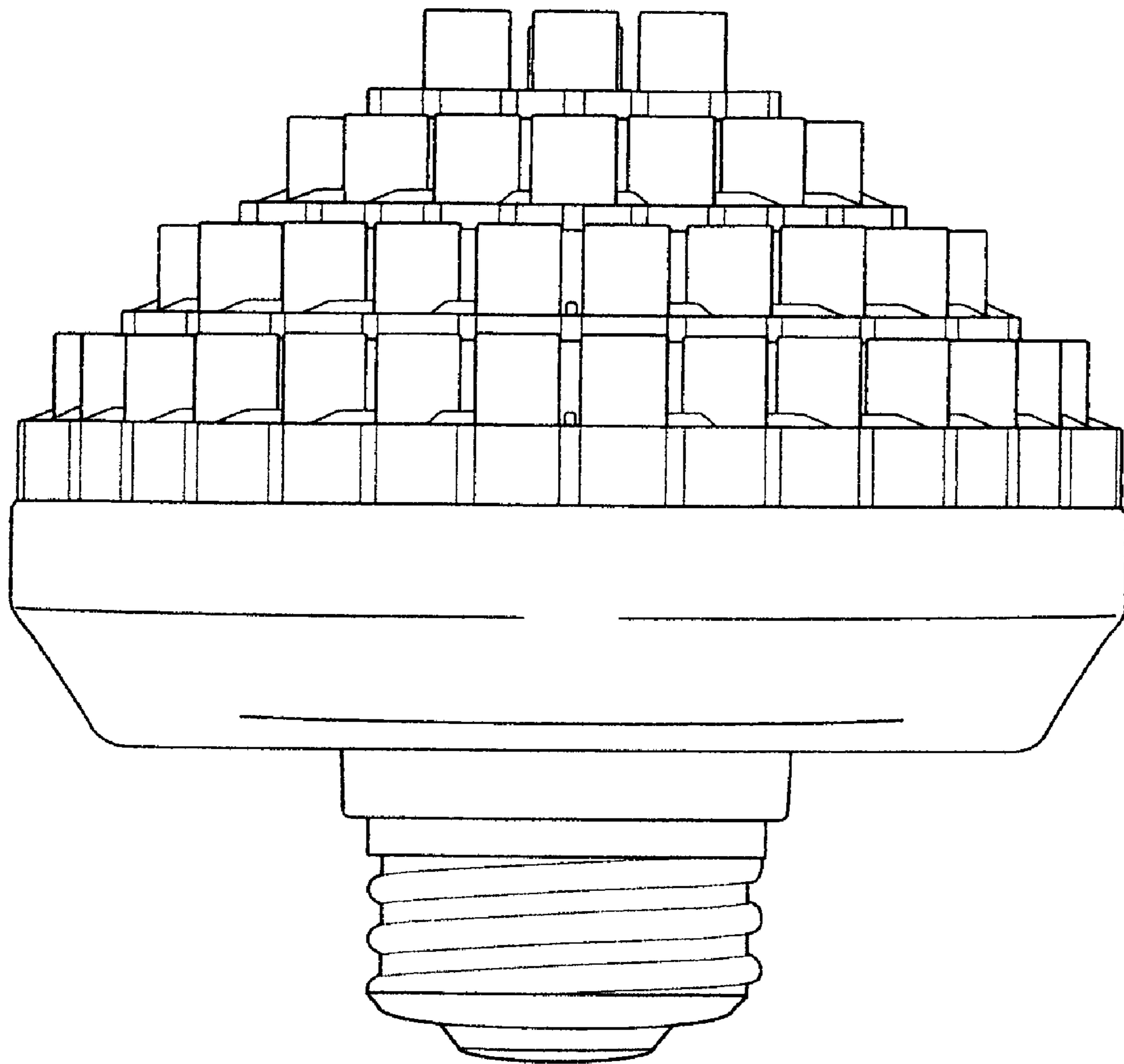


Fig. 3

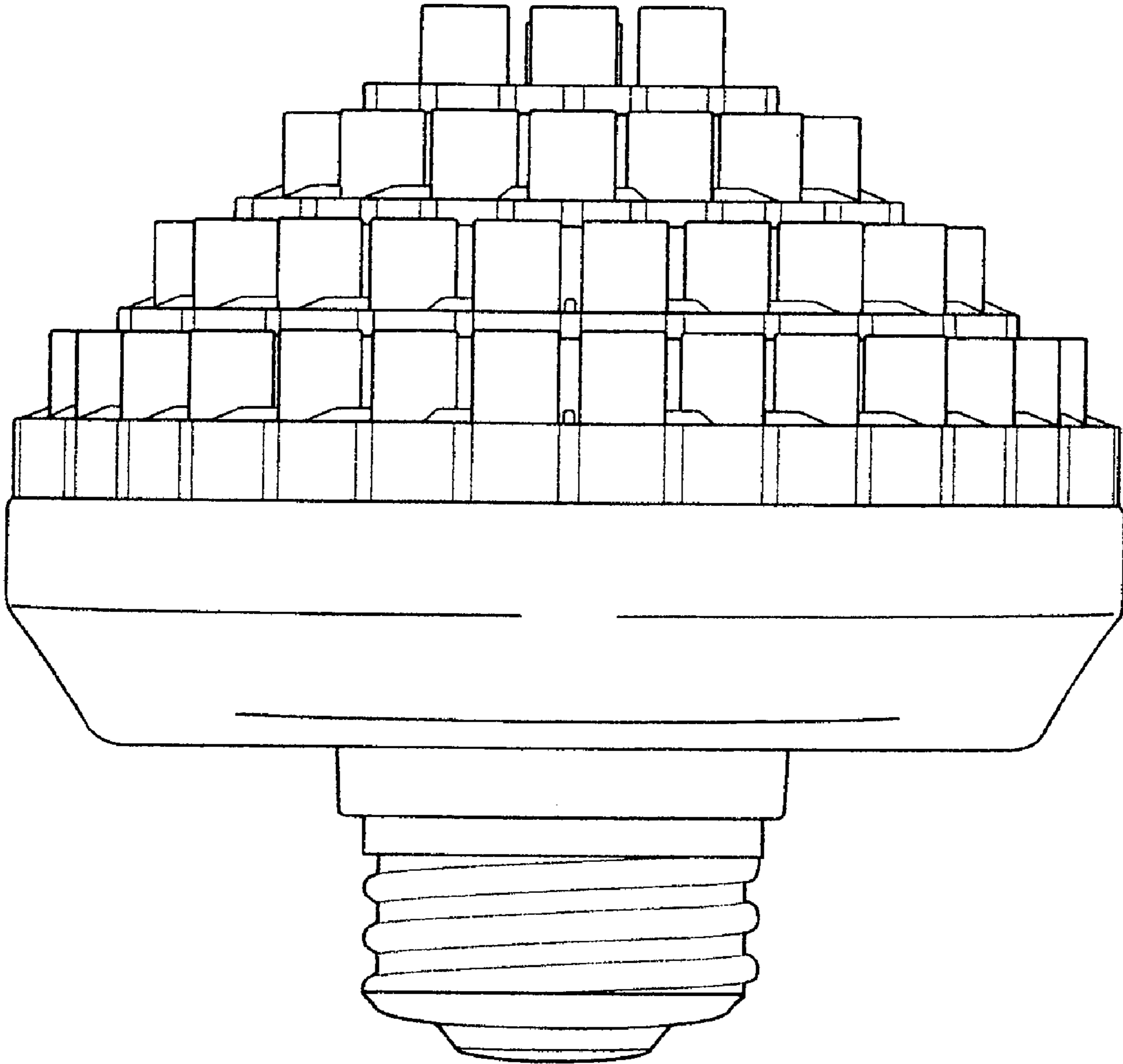


Fig. 4

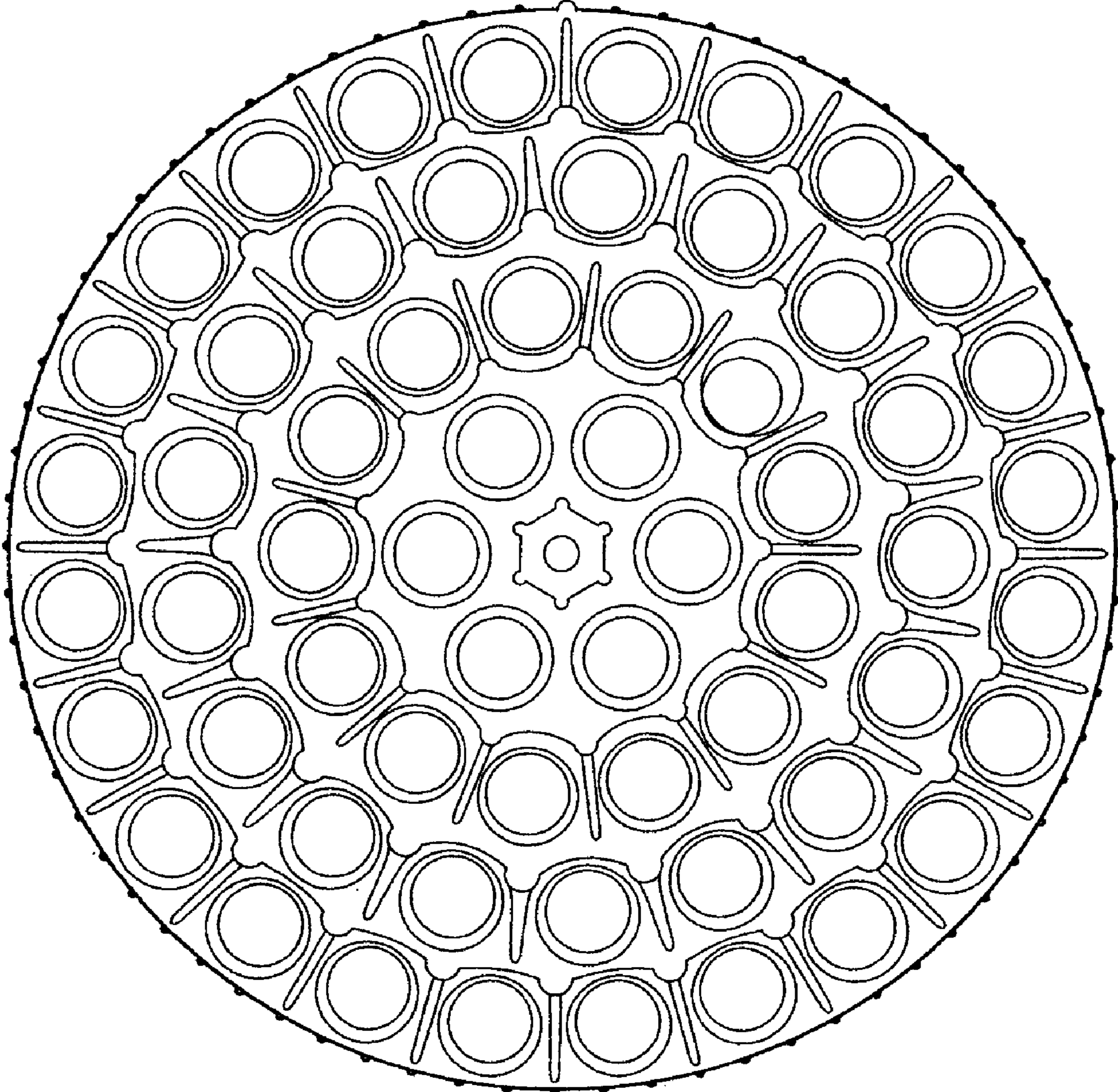


Fig. 5

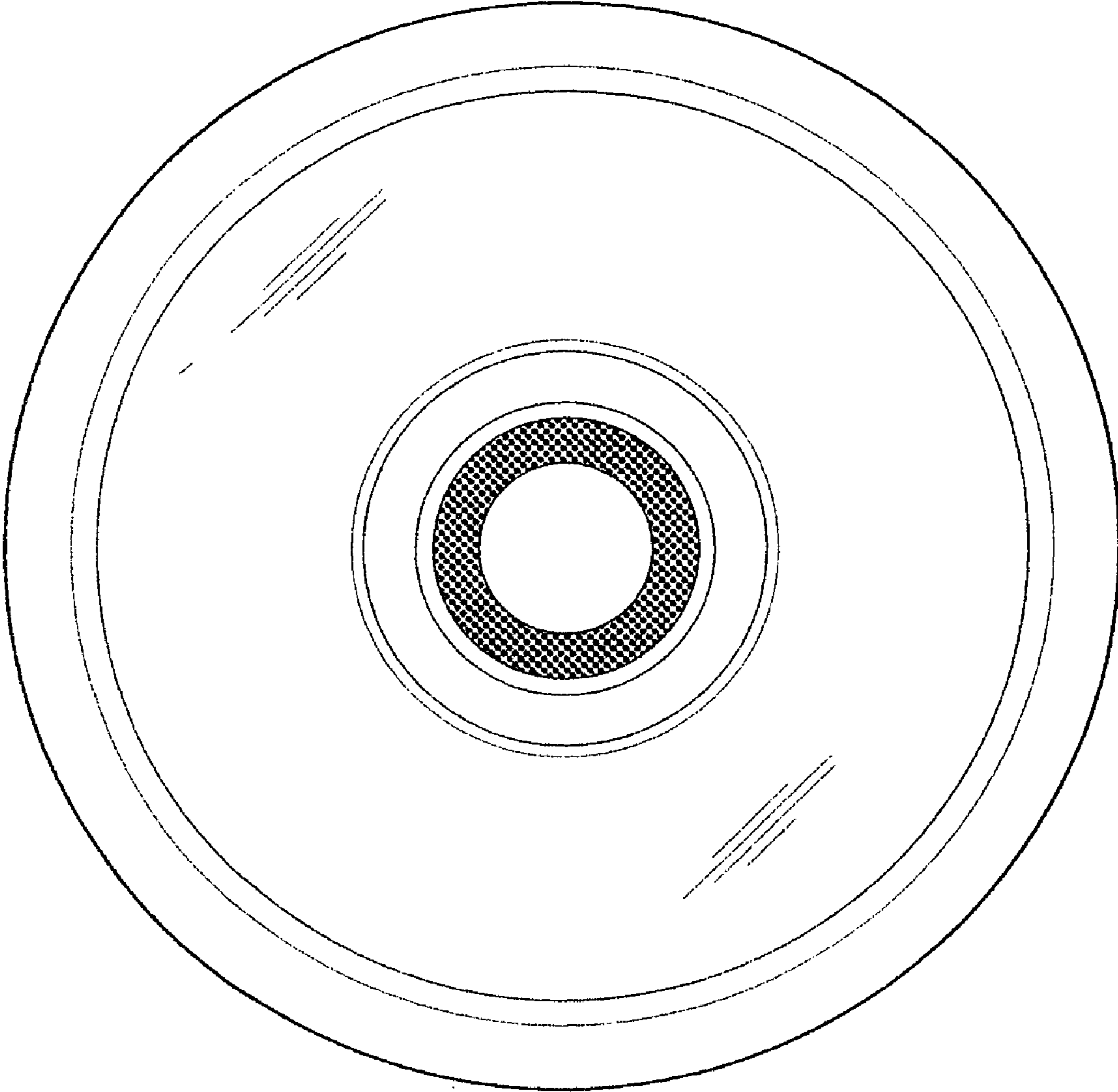


Fig. 6

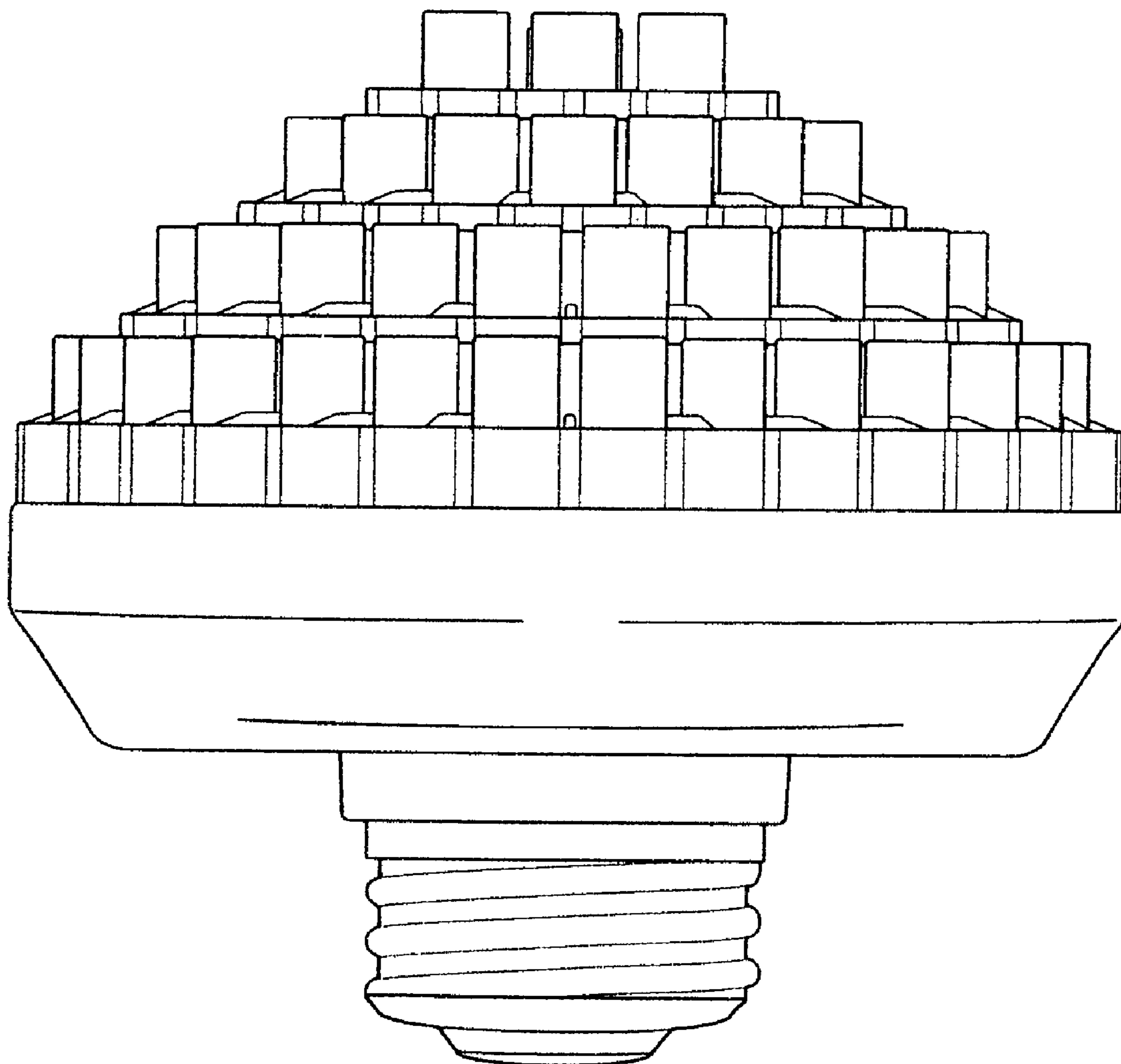


Fig. 7