



US00D598578S

(12) **United States Design Patent**
Hanley

(10) **Patent No.:** **US D598,578 S**

(45) **Date of Patent:** **** Aug. 18, 2009**

(54) **LED LIGHTING ASSEMBLY**

D575,883 S * 8/2008 Park D26/2
D576,574 S * 9/2008 Kobayakawa D13/180

(75) Inventor: **Stephen G. Hanley**, East Hampton, CT
(US)

(73) Assignee: **Electronic Controls Company**, Boise,
ID (US)

* cited by examiner

Primary Examiner—Marcus A. Jackson

(**) Term: **14 Years**

(57) **CLAIM**

(21) Appl. No.: **29/328,201**

The ornamental design for a LED lighting assembly, as shown and described.

(22) Filed: **Nov. 20, 2008**

(51) **LOC (9) Cl.** **26-04**

(52) **U.S. Cl.** **D26/1**

(58) **Field of Classification Search** D26/1-4;
313/313, 315, 317, 318; 315/52, 53, 56,
315/57, 58

See application file for complete search history.

DESCRIPTION

FIG. 1 is a perspective view of the primary embodiment of the LED lighting assembly of the present invention.

FIG. 2 is a top view of the LED lighting assembly.

FIG. 3 is a side view of the LED lighting assembly; and,

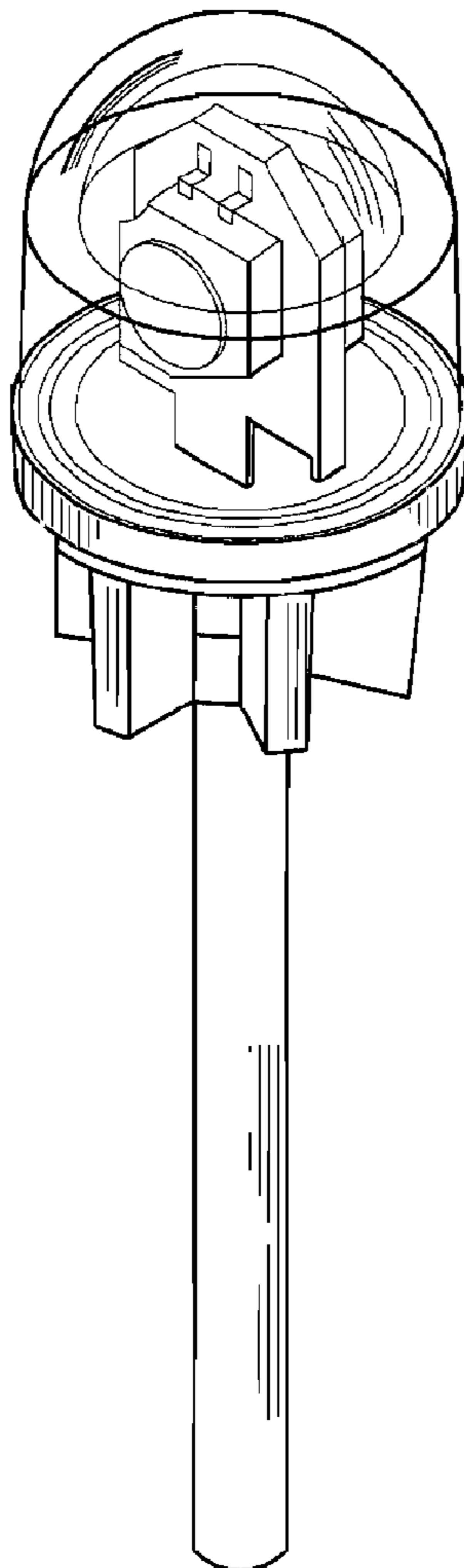
FIG. 4 is a bottom view of the LED lighting assembly.

(56) **References Cited**

U.S. PATENT DOCUMENTS

D566,698 S * 4/2008 Choi et al. D14/240

1 Claim, 2 Drawing Sheets



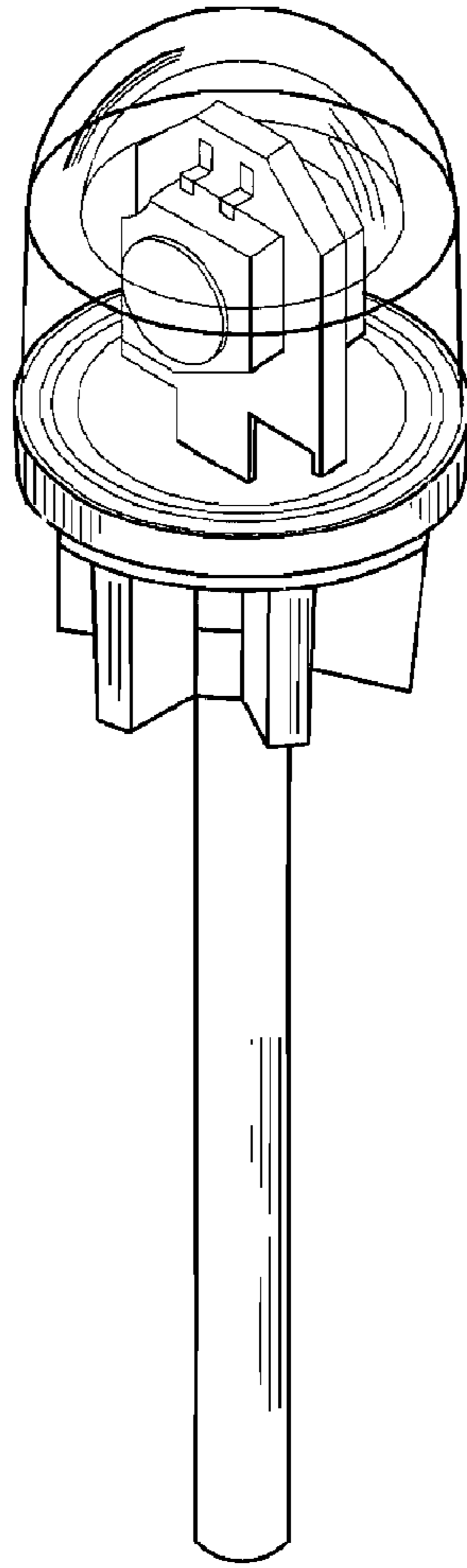


Fig. 1

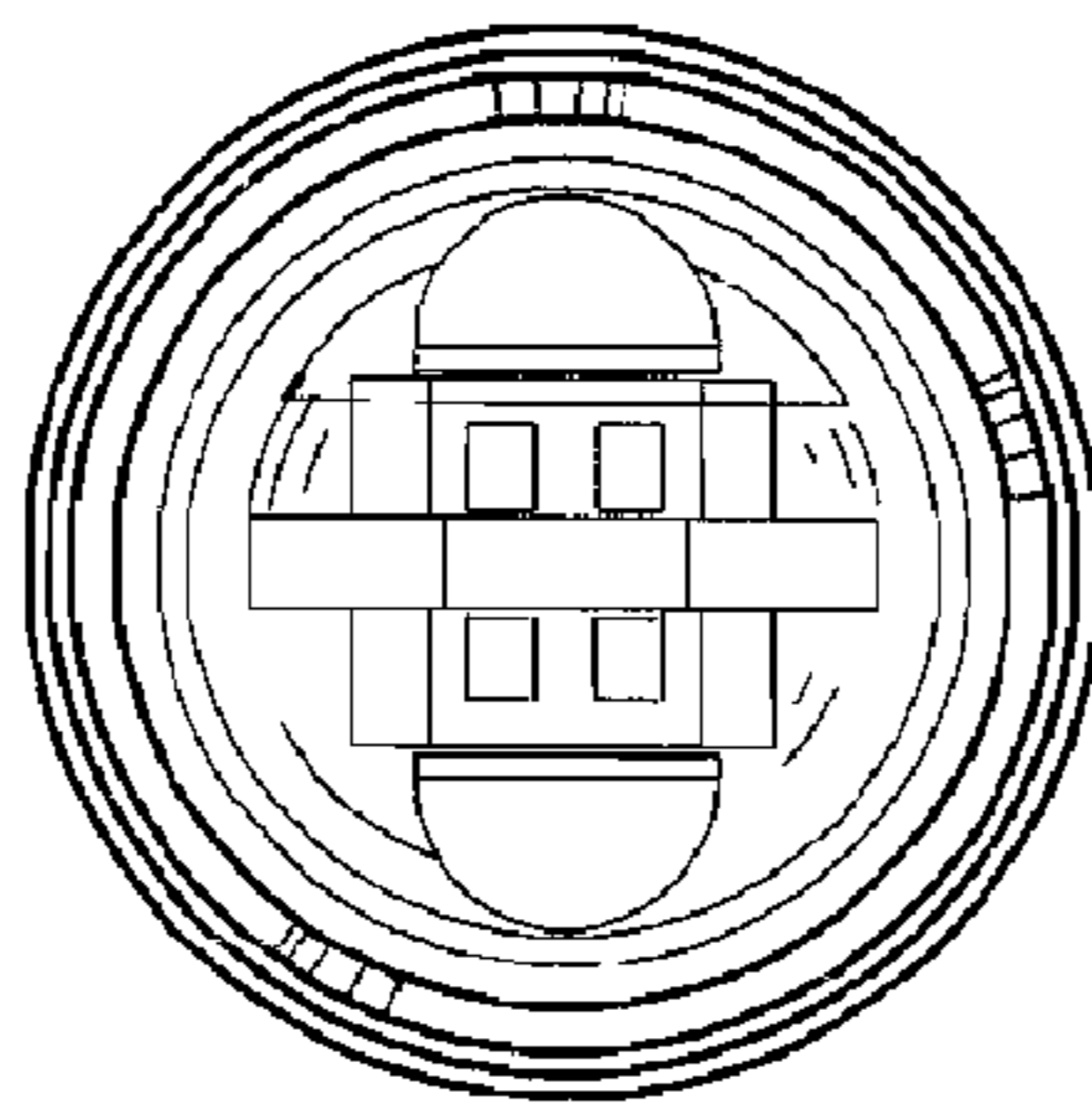


Fig. 2

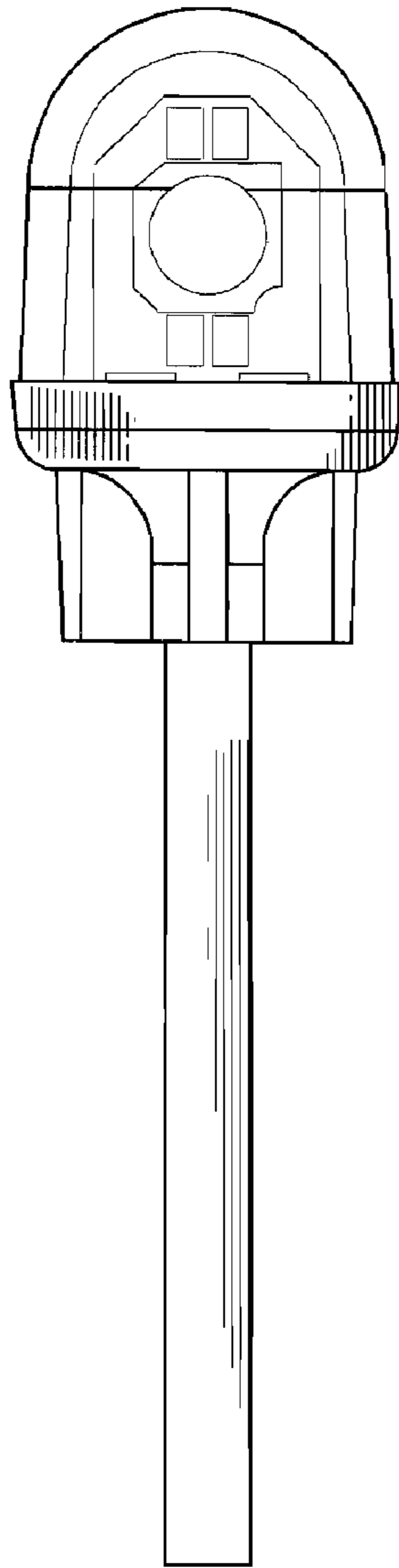


Fig. 3

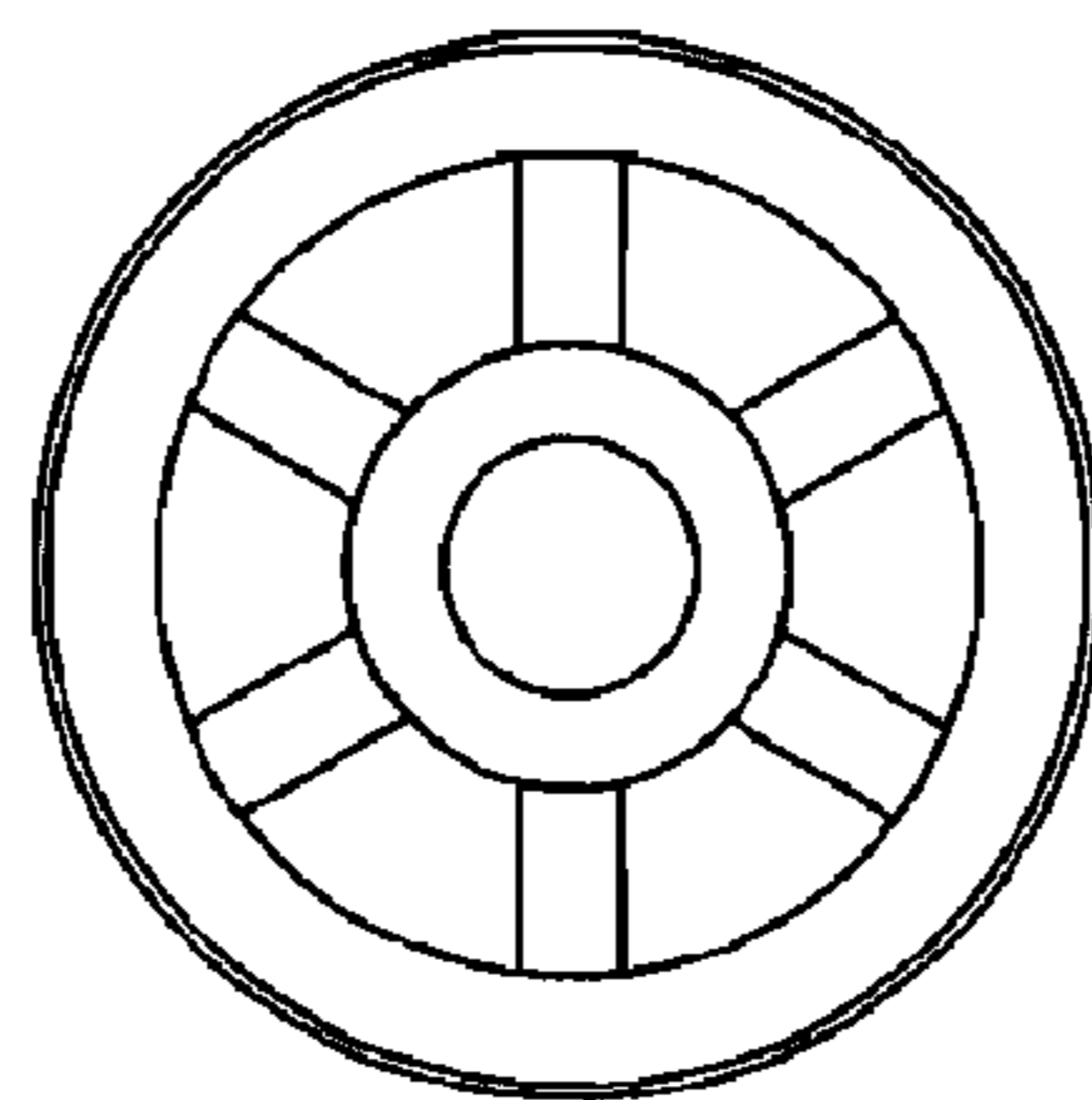


Fig. 4