



US00D598577S

(12) **United States Design Patent**  
**Li**

(10) **Patent No.:** **US D598,577 S**

(45) **Date of Patent:** **\*\* Aug. 18, 2009**

(54) **MOSAIC PATTERN**

D519,651 S \* 4/2006 Simic ..... D25/138  
D528,671 S \* 9/2006 Grafenauer ..... D25/138

(75) Inventor: **Zong Li**, East Farmingdale, NY (US)

(73) Assignee: **P&L Marble, Inc.**, Los Angeles, CA (US)

\* cited by examiner

*Primary Examiner*—Doris Clark  
(74) *Attorney, Agent, or Firm*—Steptoe & Johnson LLP

(\*\*) Term: **14 Years**

(21) Appl. No.: **29/317,553**

(57) **CLAIM**

(22) Filed: **May 1, 2008**

The new ornamental design of a mosaic pattern, as shown and described.

(51) **LOC (9) Cl.** ..... **25-01**

(52) **U.S. Cl.** ..... **D25/138**

(58) **Field of Classification Search** ..... 52/311.2,  
52/313, 384, 390; 428/33, 49, 50, 51; D25/157,  
D25/158, 159, 160, 138

See application file for complete search history.

**DESCRIPTION**

FIG. 1 is a perspective view, depicting a mosaic pattern a portion of which includes reflective surfaces;

FIG. 2 is a top view, depicting the mosaic pattern of FIG. 1; and,

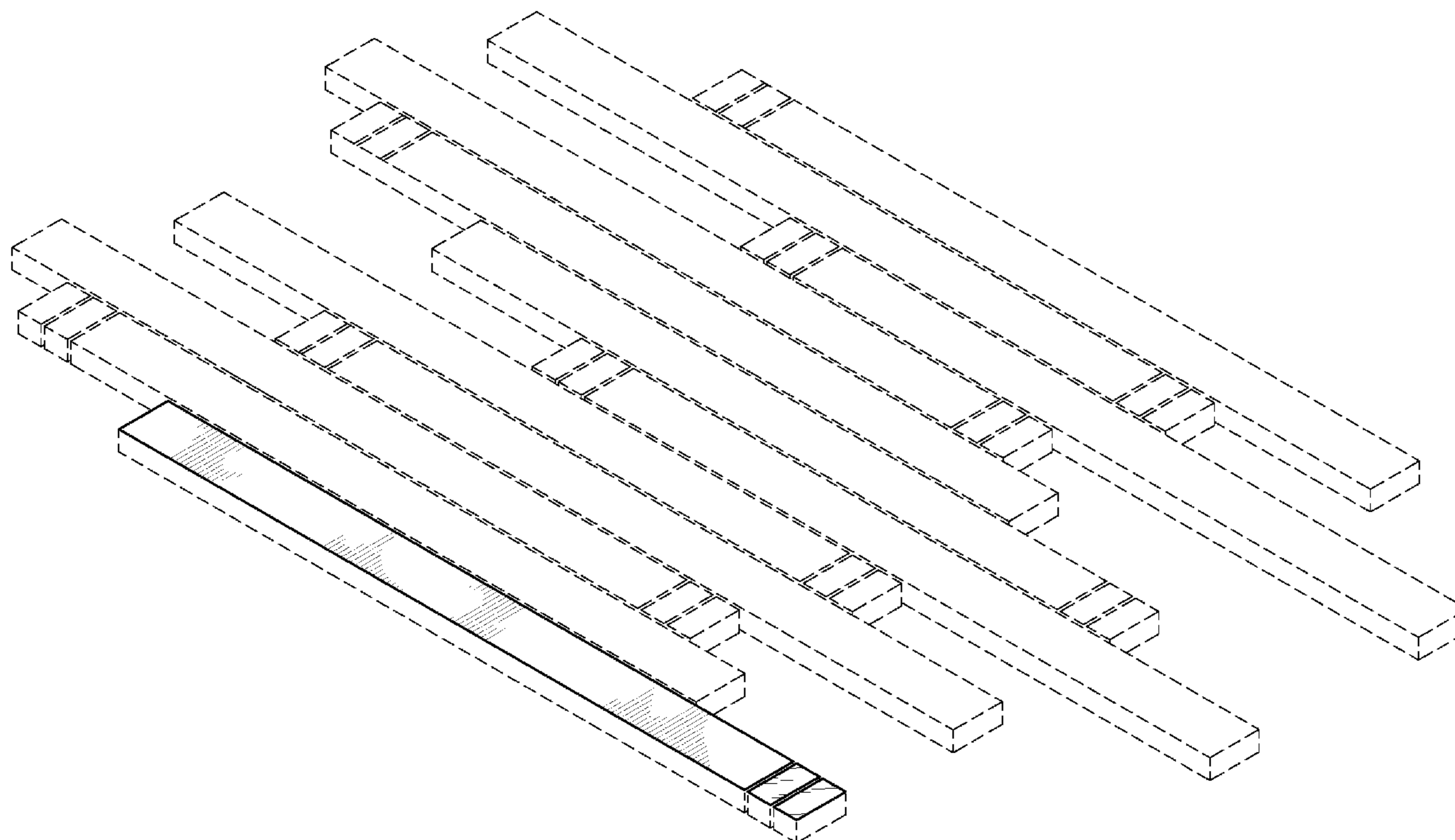
FIG. 3 is a side view, depicting the mosaic pattern of FIG. 1.

(56) **References Cited**

**U.S. PATENT DOCUMENTS**

6,156,402 A \* 12/2000 Smith ..... 428/40.1

**1 Claim, 2 Drawing Sheets**



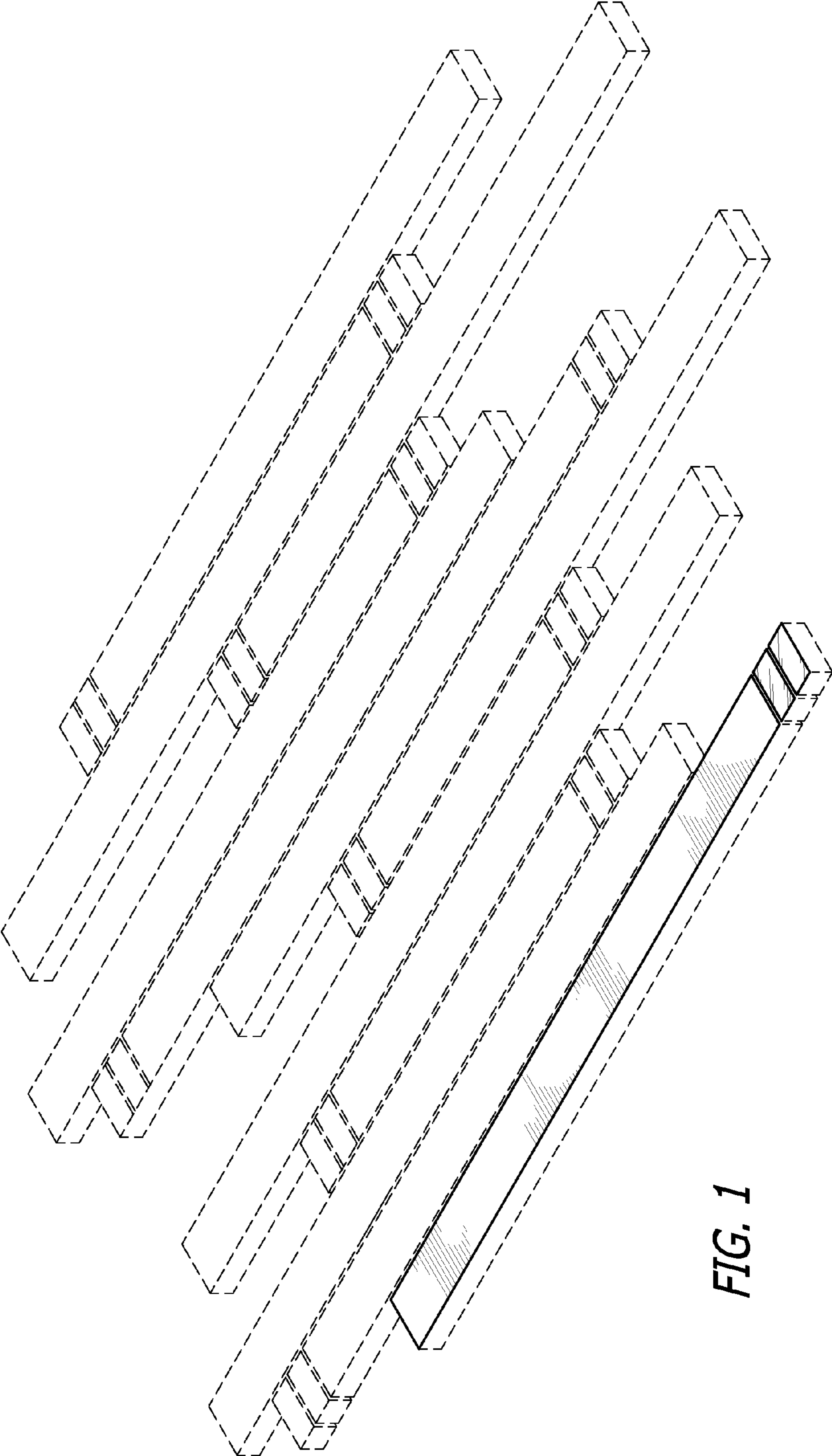


FIG. 1

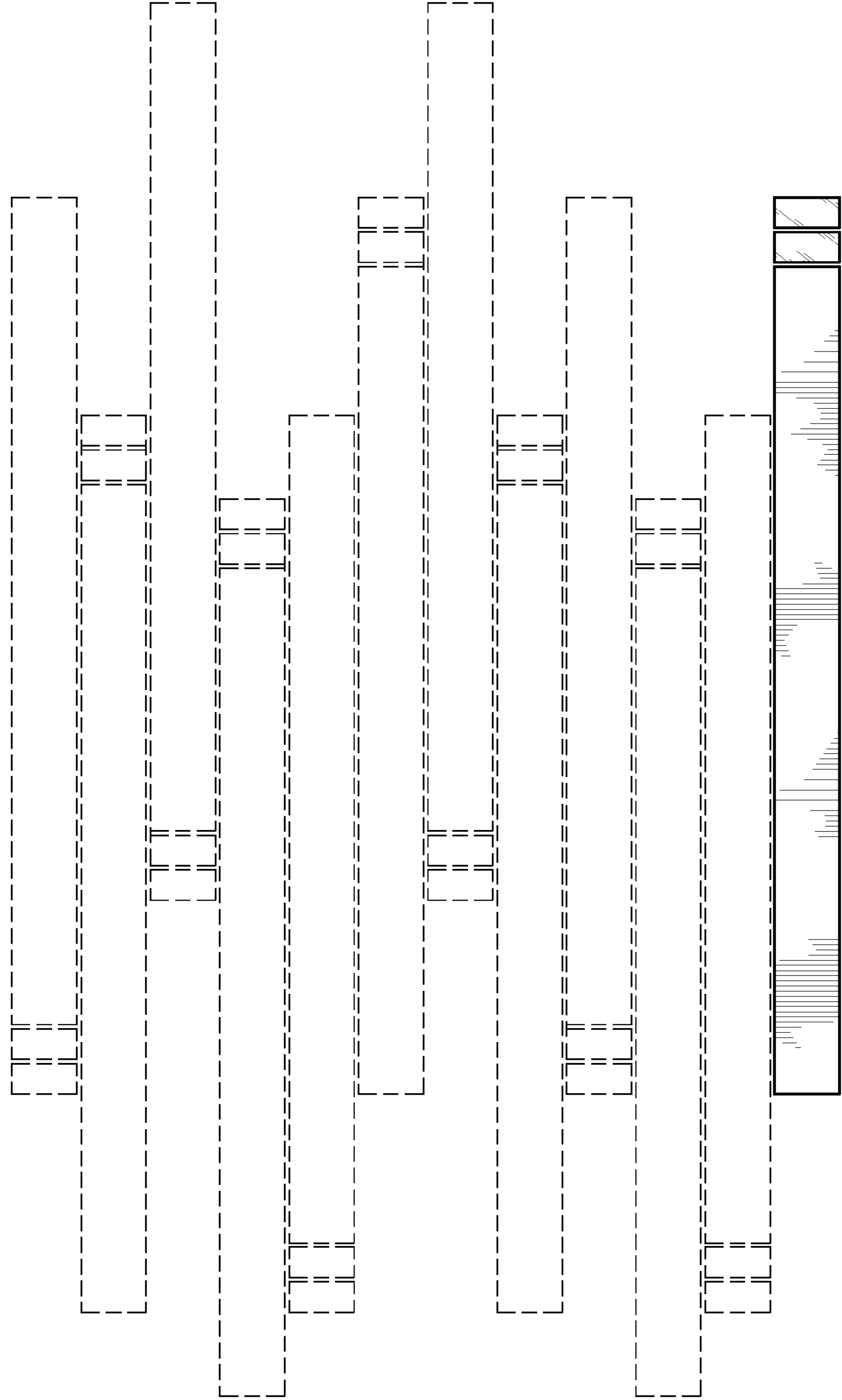


FIG. 2

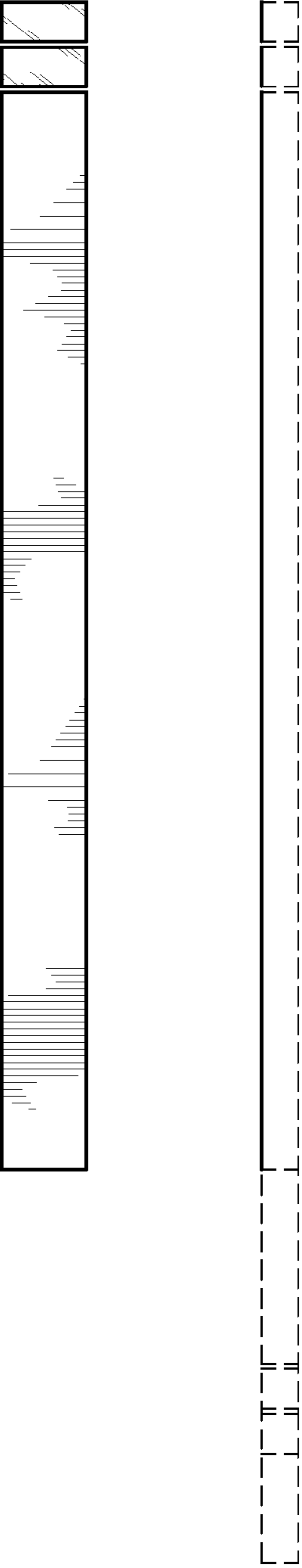


FIG. 3