



US00D598574S

(12) **United States Design Patent**  
**Bergmann**

(10) **Patent No.:** **US D598,574 S**

(45) **Date of Patent:** **\*\* Aug. 18, 2009**

(54) **FRAME FOR SLIDING DOOR AND WALL**

7,065,929 B2 \* 6/2006 Manzella et al. .... 52/204.1

(75) Inventor: **Carsten Bergmann**, Bremen (DE)

\* cited by examiner

(73) Assignee: **Raumplus GmbH & Co. KG**, Bremen (DE)

*Primary Examiner*—Doris Clark  
(74) *Attorney, Agent, or Firm*—Laurence P. Colton; Smith, Gambrell & Russell

(\*\*) Term: **14 Years**

(21) Appl. No.: **29/319,186**

(22) Filed: **Jun. 5, 2008**

(30) **Foreign Application Priority Data**

Dec. 7, 2007 (EM) ..... 000838305-0004

(51) **LOC (9) Cl.** ..... **25-01**

(52) **U.S. Cl.** ..... **D25/122**

(58) **Field of Classification Search** ..... D25/60,  
D25/122, 124, 121; 52/204.1, 207, 206;  
49/66, 130, 504, 408, 372

See application file for complete search history.

(56) **References Cited**

**U.S. PATENT DOCUMENTS**

2,120,783 A \* 6/1938 Hoffman ..... 49/408  
3,383,815 A \* 5/1968 Smith, Jr. .... 52/209  
4,561,210 A \* 12/1985 Kvas et al. .... 49/372  
D407,828 S \* 4/1999 Hart ..... D25/122

(57) **CLAIM**

The ornamental design of a frame for a sliding door and wall, as shown and described.

**DESCRIPTION**

FIG. 1 is top view of a frame for a sliding door and wall showing my new design, the bottom view being identical thereto;

FIG. 2 is a front perspective view thereof;

FIG. 3 is a rear perspective view thereof;

FIG. 4 is a front elevation view thereof;

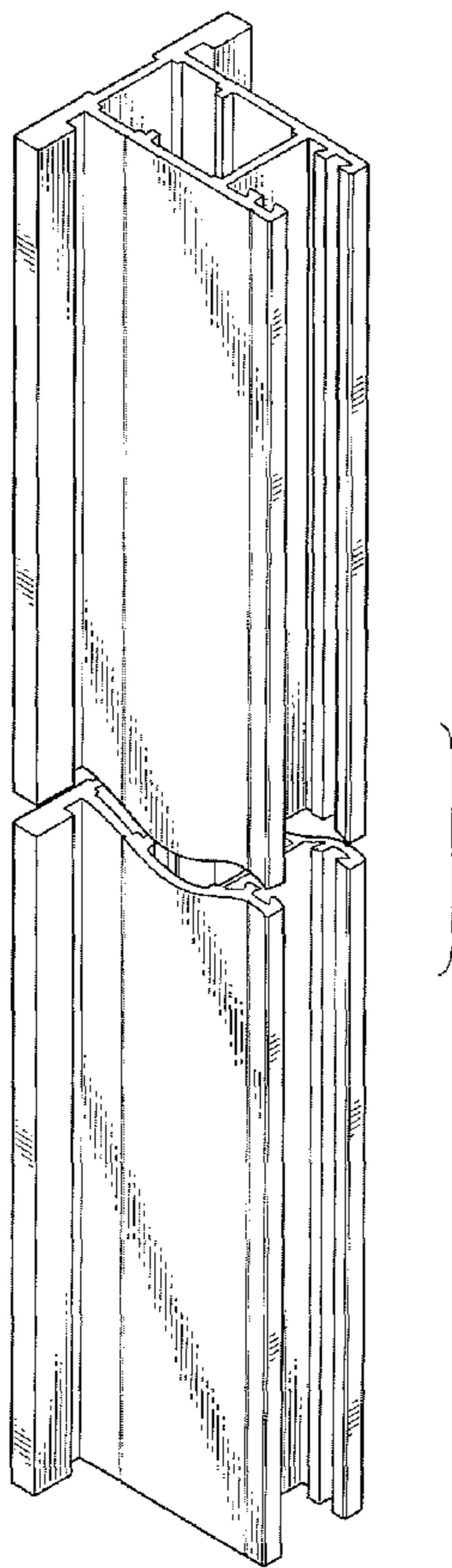
FIG. 5 is a rear elevation view thereof;

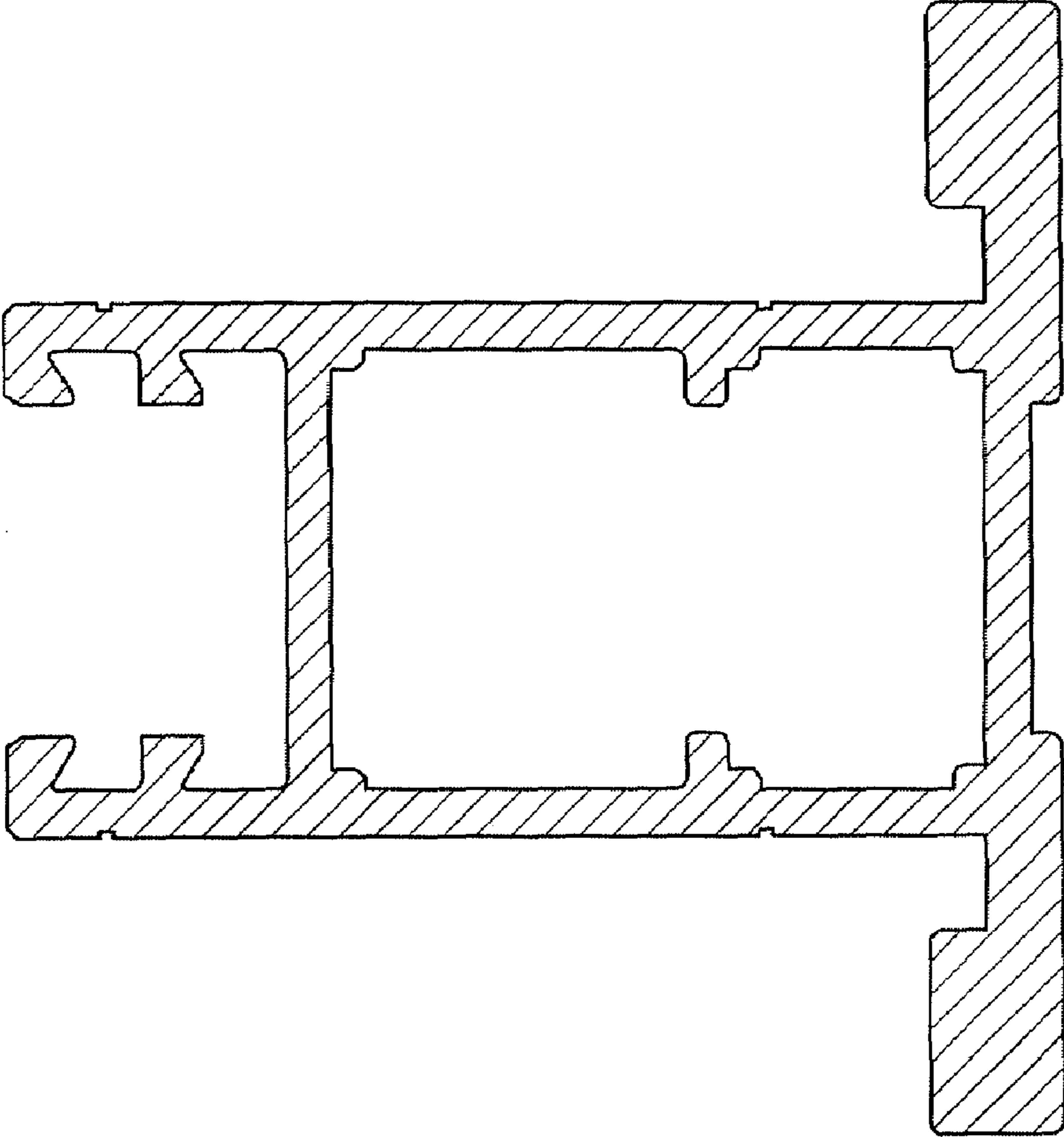
FIG. 6 is a side elevation view thereof; and,

FIG. 7 is an opposite side elevation view thereof.

The claimed design is broken in the center to indicate indeterminate length.

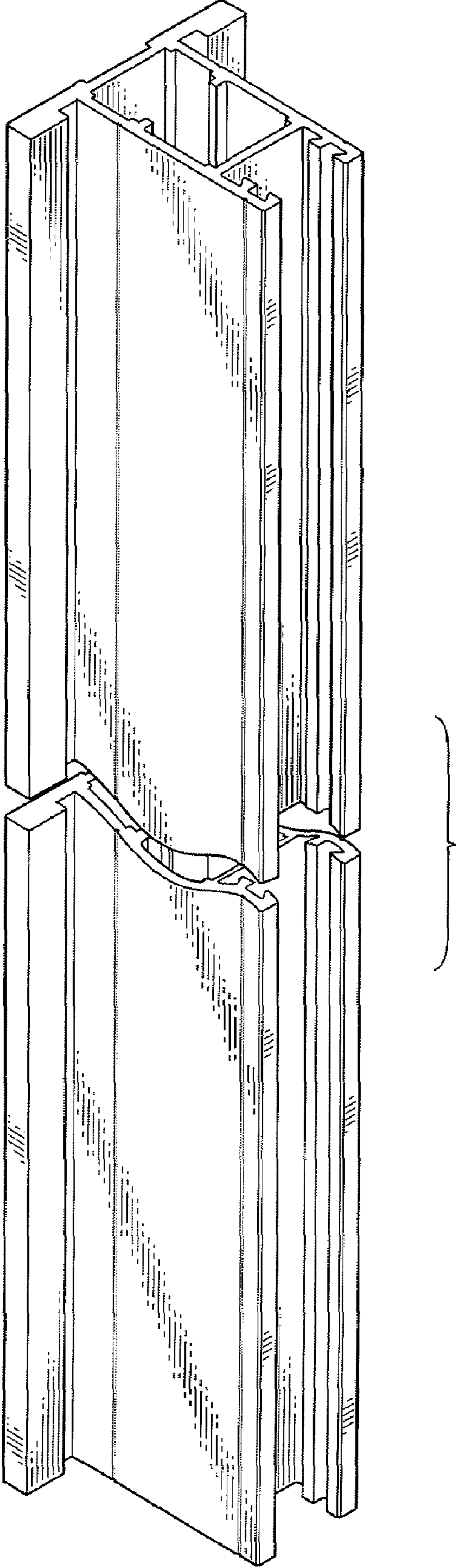
**1 Claim, 5 Drawing Sheets**



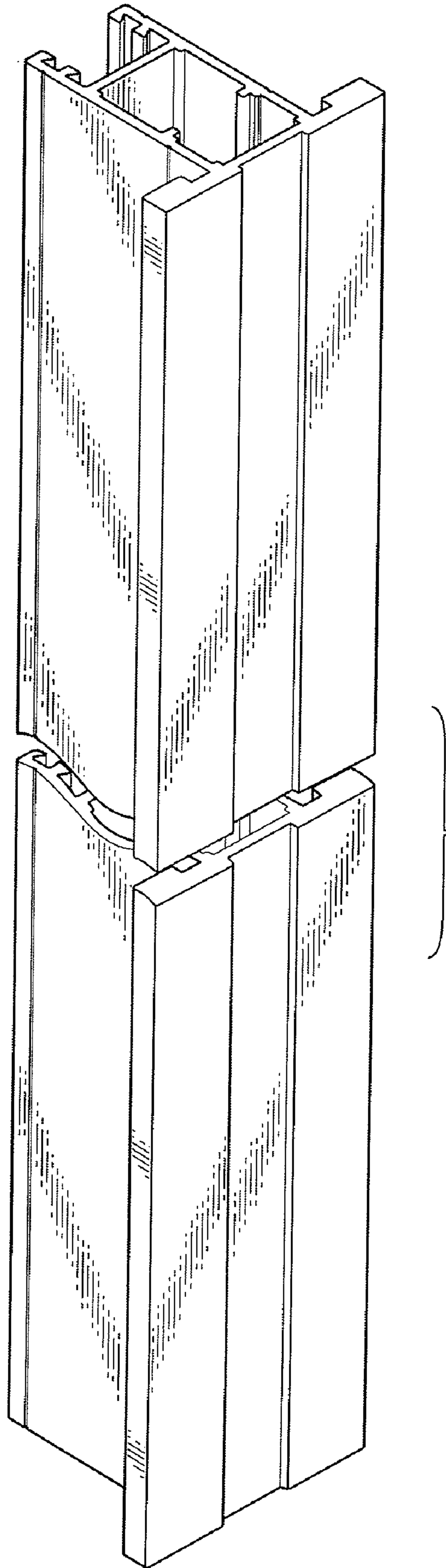


**FIG. 1**

FIG. 2



**FIG. 3**



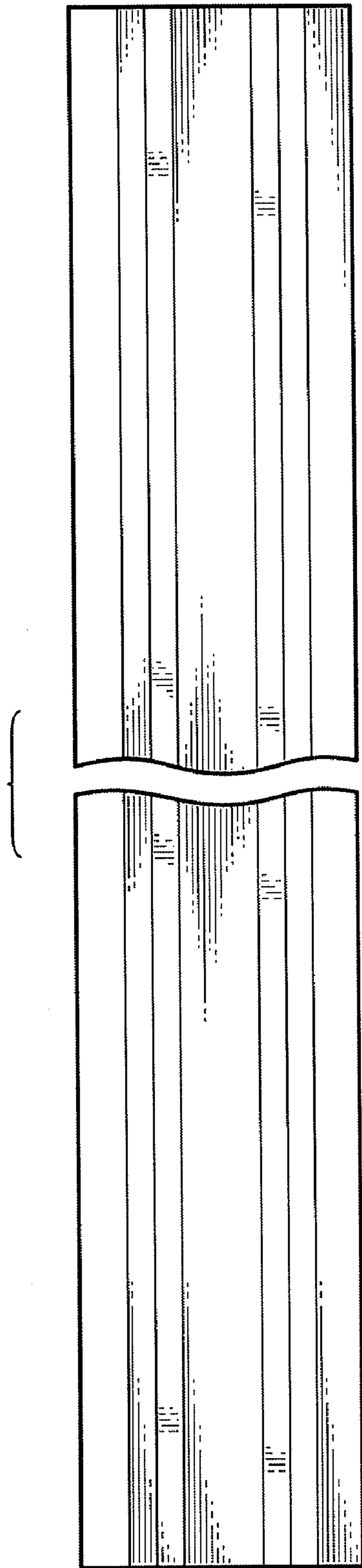


FIG. 4

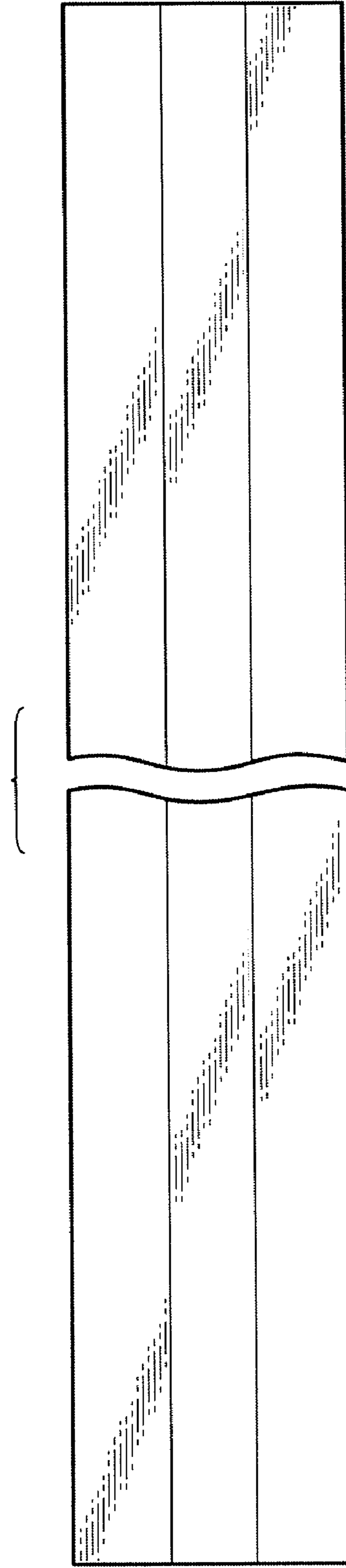
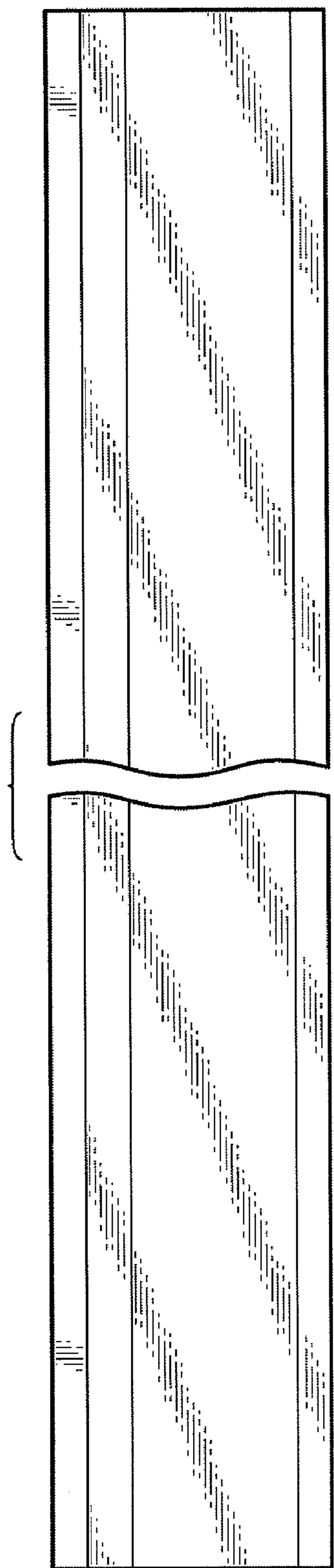
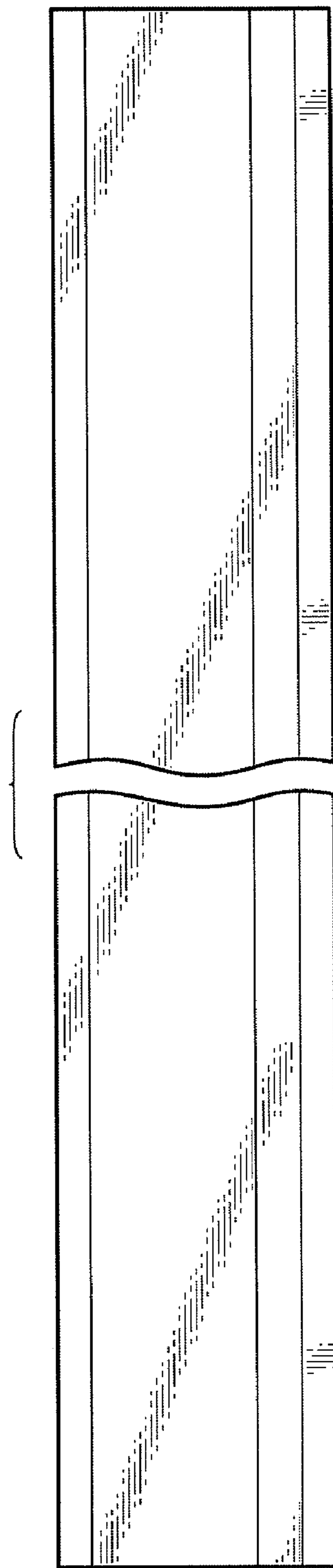


FIG. 5



**FIG. 6**



**FIG. 7**