



US00D598568S

(12) **United States Design Patent**  
**Pihlblad**

(10) **Patent No.:** **US D598,568 S**

(45) **Date of Patent:** **\*\* Aug. 18, 2009**

(54) **BUILDING**

(75) Inventor: **Ronny Pihlblad**, Veddige (SE)

(73) Assignee: **PivAB International AB** (SE)

(\*\*) Term: **14 Years**

(21) Appl. No.: **29/308,354**

(22) Filed: **Jun. 11, 2008**

(51) **LOC (9) Cl.** ..... **25-01**

(52) **U.S. Cl.** ..... **D25/33**

(58) **Field of Classification Search** ..... D25/4,  
D25/16, 14-35; 52/79.4, 72, 79.1, 23, 82,  
52/36.2

See application file for complete search history.

(56) **References Cited**

**U.S. PATENT DOCUMENTS**

2,384,659	A *	9/1945	Wait	.....	296/26.15
3,217,722	A *	11/1965	Heise	.....	52/63
3,563,257	A *	2/1971	Cummins	.....	135/131
3,848,615	A *	11/1974	Warner et al.	.....	135/132
4,057,285	A *	11/1977	Bemos	.....	296/169
D251,854	S *	5/1979	Miller	.....	D25/1
D338,052	S *	8/1993	MacMorris, Jr.	.....	D21/838

\* cited by examiner

*Primary Examiner*—T. Chase Nelson  
*Assistant Examiner*—Eric L Goodman  
(74) *Attorney, Agent, or Firm*—Klarquist Sparkman, LLP

(57) **CLAIM**

The ornamental design for a building, as shown and described.

**DESCRIPTION**

FIG. 1 is a perspective view showing the building, obliquely from one side and from above, whereby the portions marked with dash lines forming no part of the design;

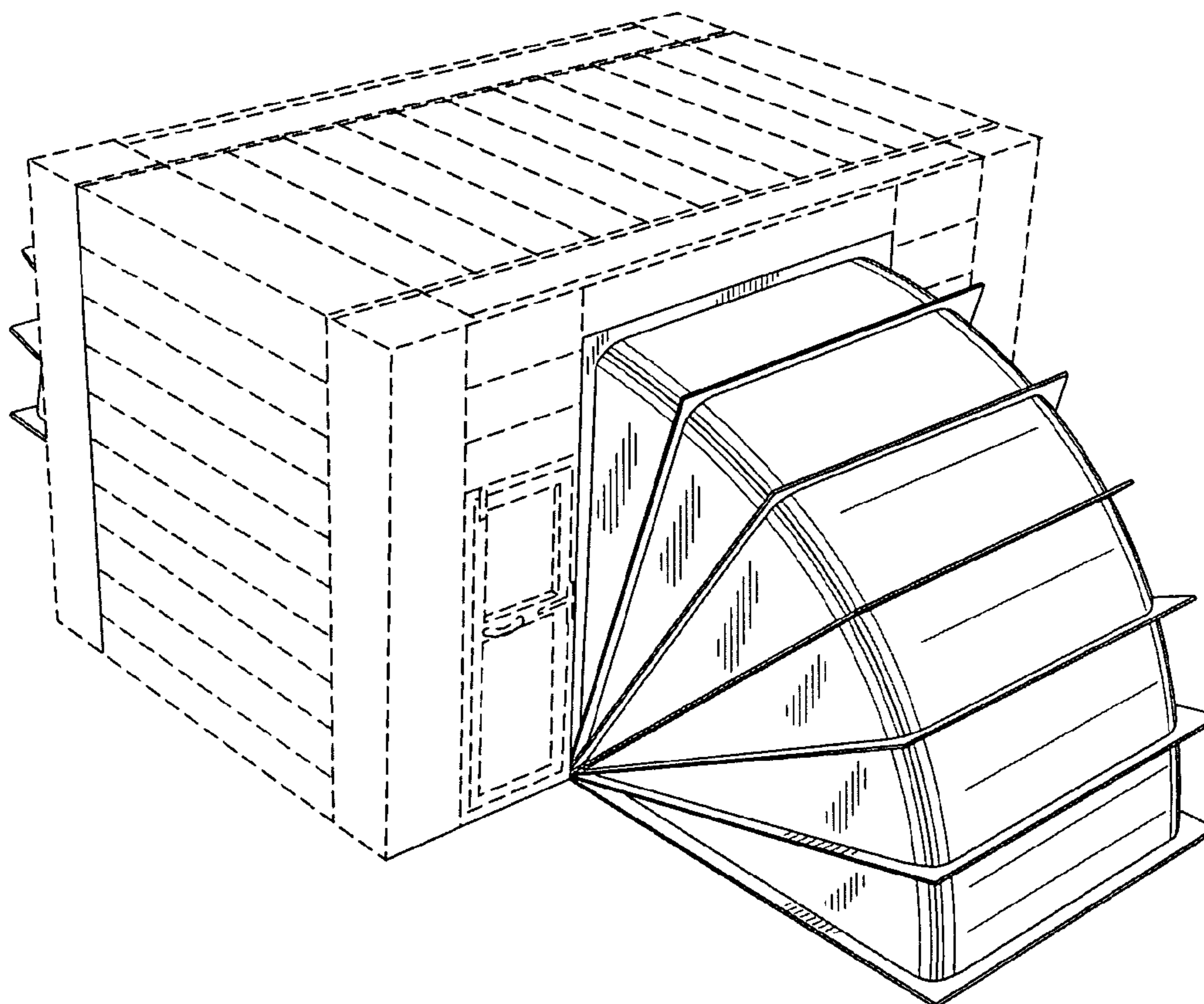
FIG. 2 is a front perspective view showing the building from the front side, the opposite rear view of the building being a mirror image thereof, whereby the portions marked with dash lines forming no part of the design; and

FIG. 3 is a side perspective view showing the building obliquely from one side and slightly from above, the opposite side being a mirror image thereof, whereby the portions marked with dash lines forming no part of the design.

FIG. 4 is a front elevation view of the building; and,

FIG. 5 is a side elevation view of the building.

**1 Claim, 5 Drawing Sheets**



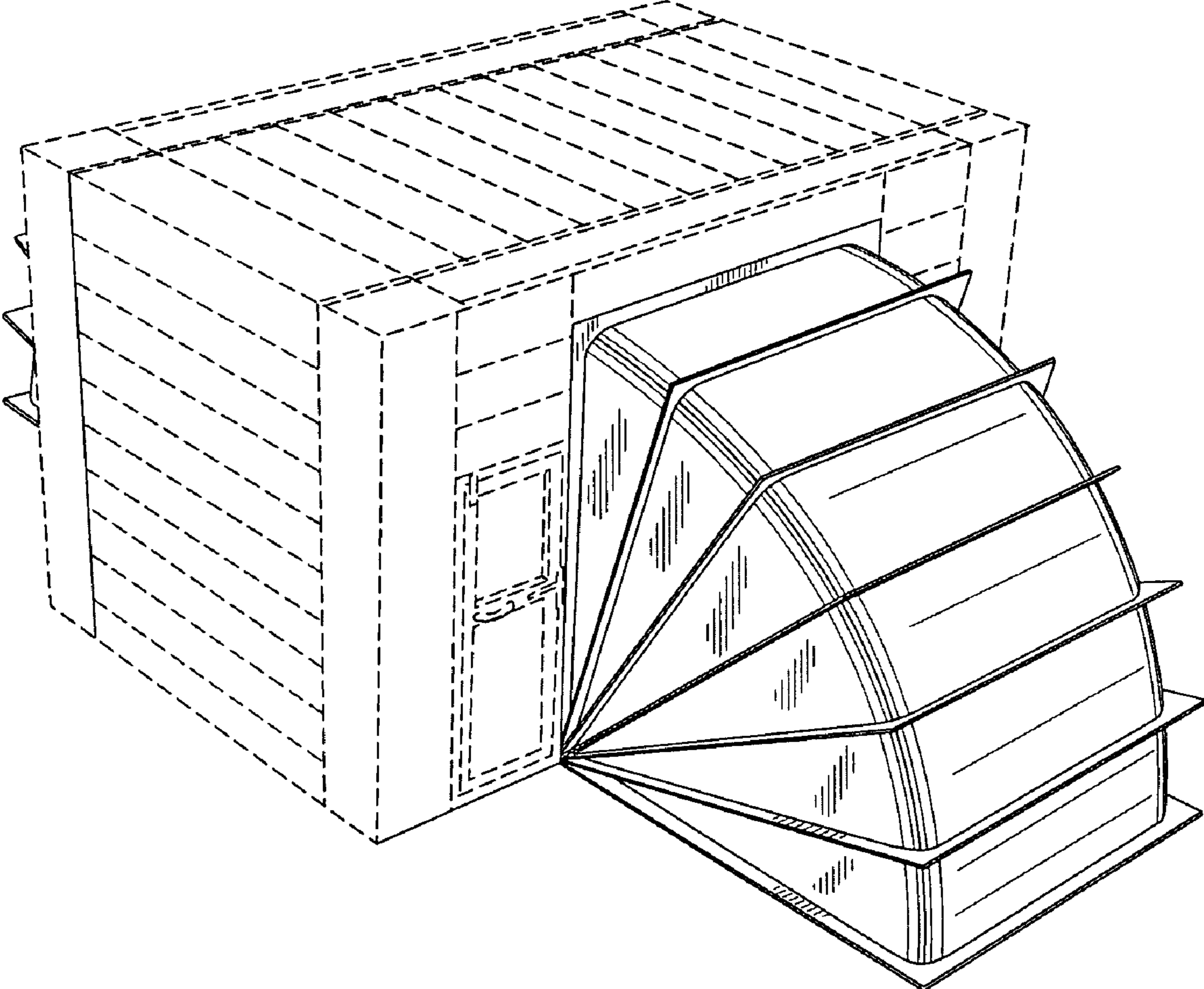


FIG. 1

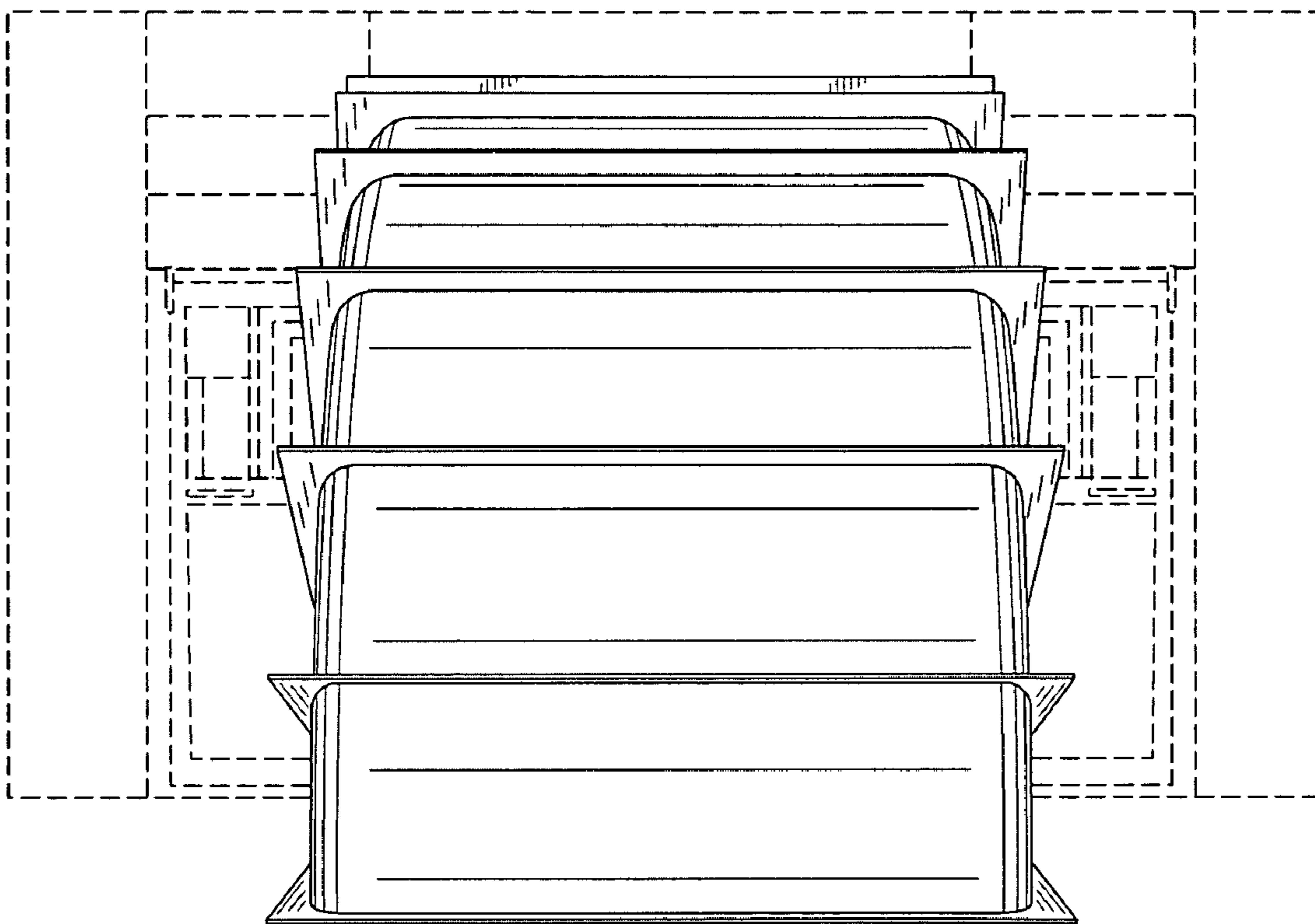


FIG. 2

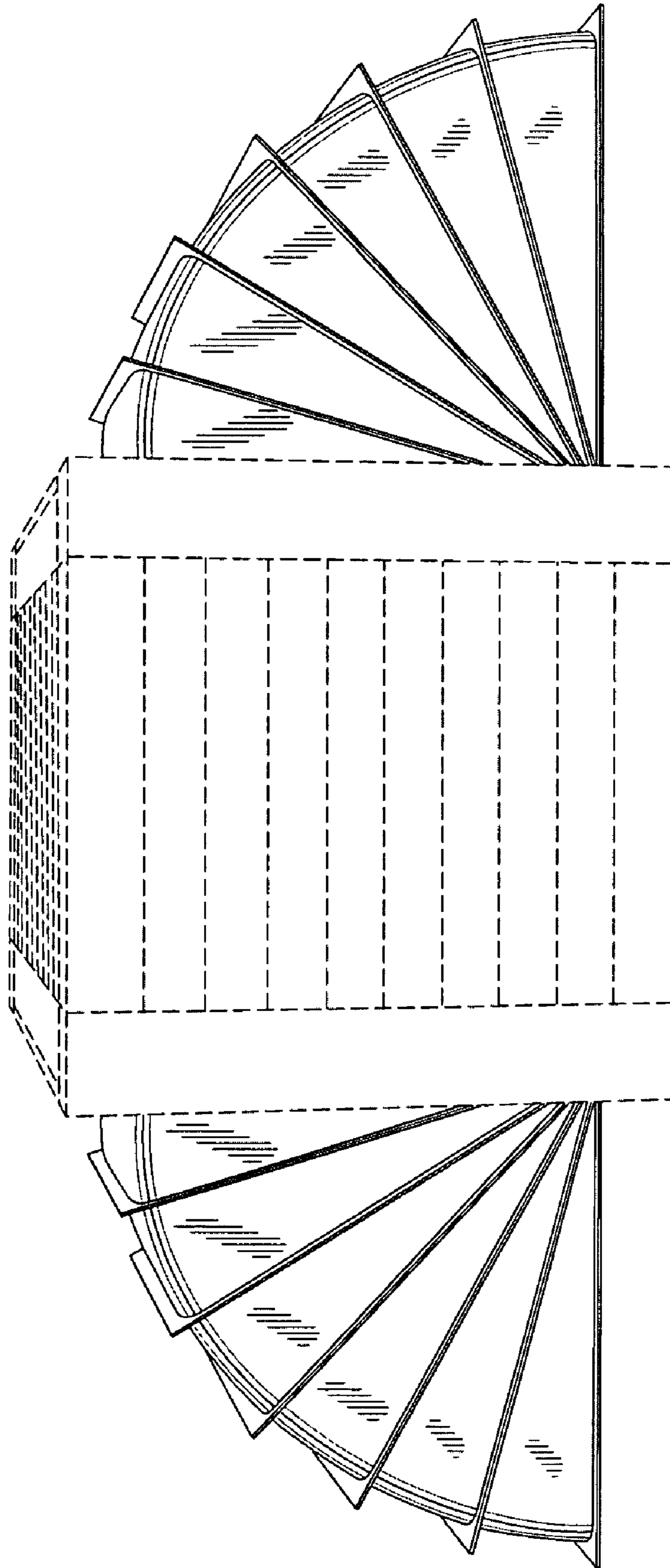


FIG. 3

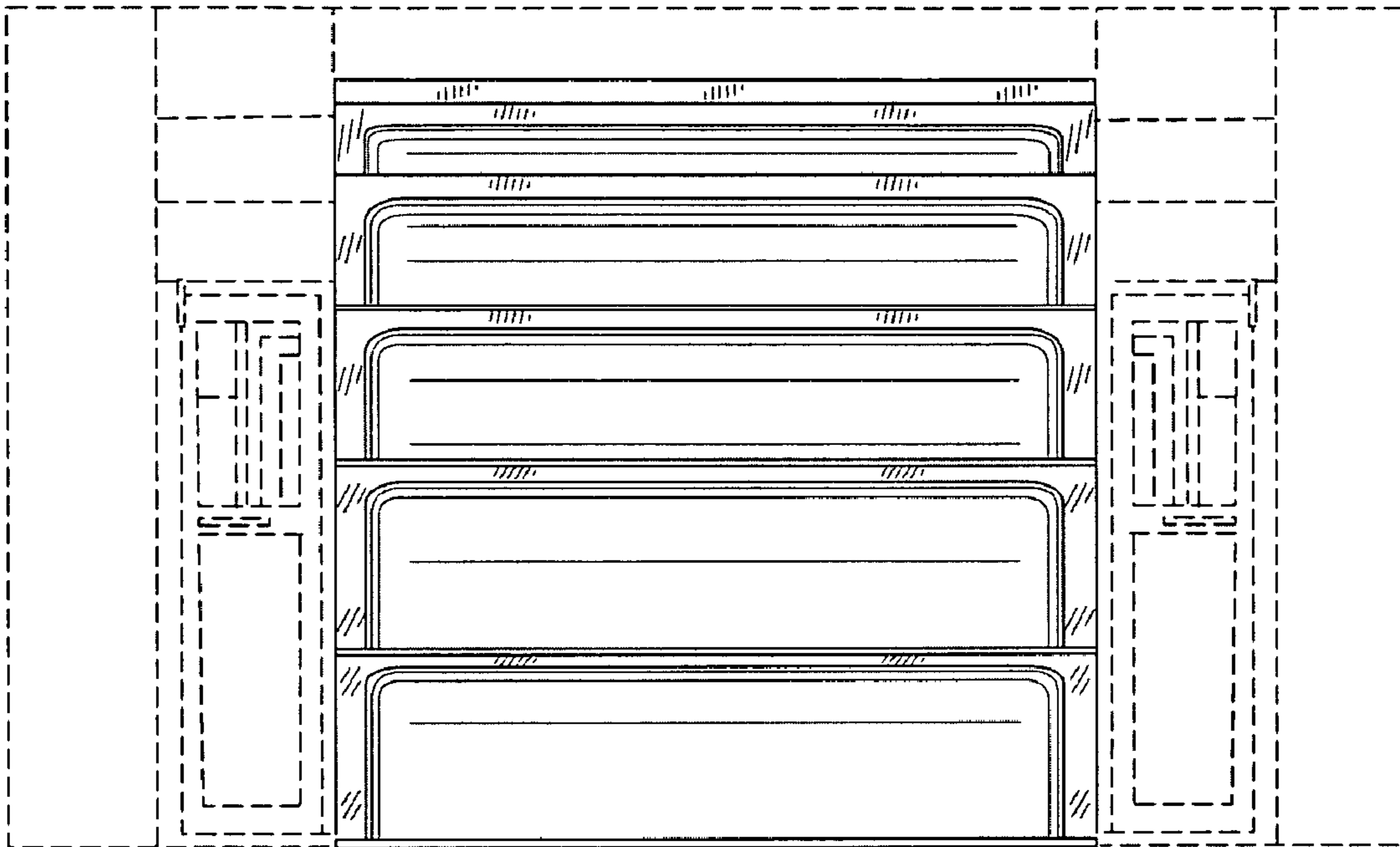


FIG. 4

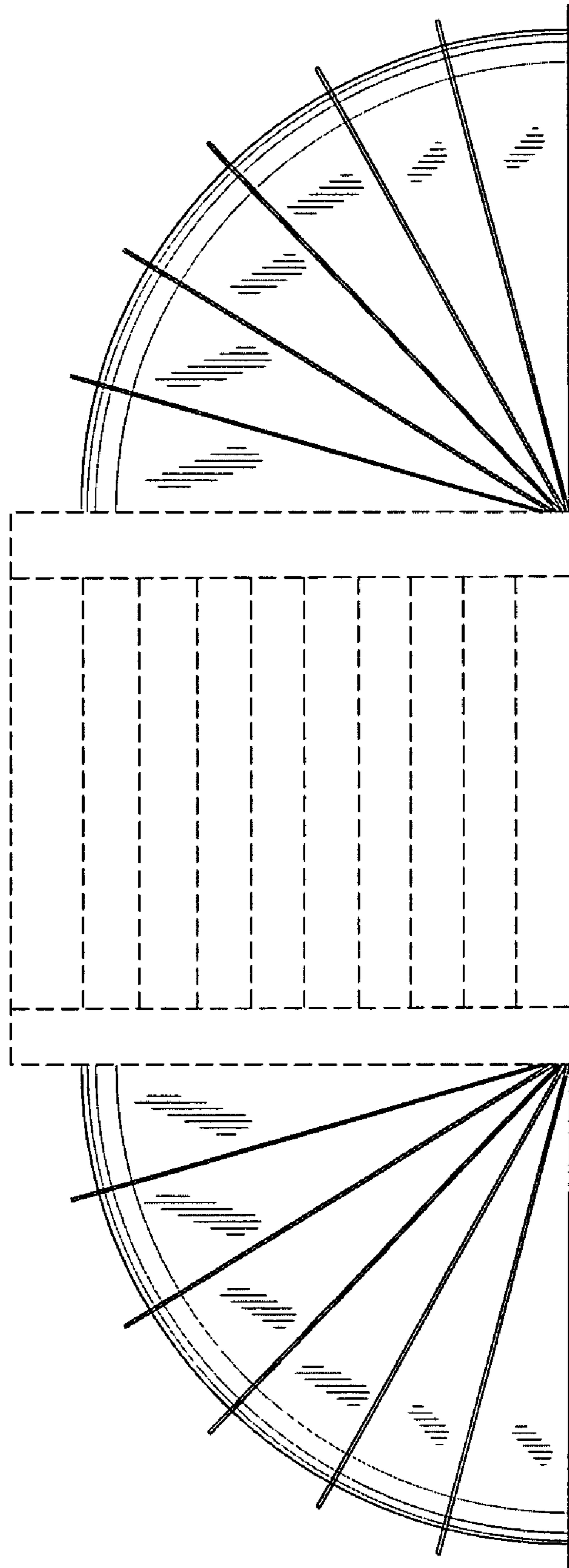


FIG. 5