

US00D598564S

(12) **United States Design Patent**
Coyle et al.

(10) **Patent No.:** **US D598,564 S**
(45) **Date of Patent:** **** Aug. 18, 2009**

(54) **HANDLE FOR PORTABLE STERILIZING APPARATUS**

4,892,706 A 1/1990 Kralovic et al.
4,900,519 A 2/1990 Nichols
4,909,988 A 3/1990 Childers et al.
4,932,160 A 6/1990 Sperko
5,068,085 A 11/1991 Hastings

(75) Inventors: **Michael J. Coyle**, Huber Heights, OH (US); **George Chow**, Columbus, OH (US); **Ronald A. Gatchell**, Tipp City, OH (US); **Philip Marc Stewart**, Greenville, OH (US); **Kimberly S. Maalouf**, Tipp City, OH (US)

(Continued)

(73) Assignee: **Midmark Corporation**, Versailles, OH (US)

OTHER PUBLICATIONS

VWR Lab Shop, VWR Sterilizers, Model AS12 [online], [retrieved Apr. 24, 2009]. Retrieved from the Internet: <URL: <http://vwrlabshop.com/vwr-sterilizers-model-as12/p/0013004/>>.

(Continued)

(**) Term: **14 Years**

Primary Examiner—T. Chase Nelson

(21) Appl. No.: **29/317,451**

Assistant Examiner—Anhdao Doan

(22) Filed: **Apr. 30, 2008**

(74) *Attorney, Agent, or Firm*—Wood, Herron & Evans, LLP

(51) **LOC (9) Cl.** **24-01**

(57) **CLAIM**

(52) **U.S. Cl.** **D24/217**

The ornamental design for the handle for portable sterilizing apparatus, as shown and described.

(58) **Field of Classification Search** D24/216–226,
D24/227, 229; D8/300, 313, 314; 422/26,
422/291, 292, 295–297, 299; 250/455.11;
16/110.1, 415, 430

DESCRIPTION

See application file for complete search history.

FIG. 1 is a perspective view of our new handle for portable sterilizing apparatus design;

FIG. 2 is a front elevation view thereof;

(56) **References Cited**

U.S. PATENT DOCUMENTS

4,145,279 A 3/1979 Selby, III
4,238,447 A 12/1980 Wolff
D259,057 S * 4/1981 Lancellotti et al. D24/217
4,263,258 A 4/1981 Kalasek
4,304,996 A 12/1981 Blades
4,441,724 A 4/1984 Taylor
4,755,292 A 7/1988 Merriam
4,759,909 A 7/1988 Joslyn
4,808,377 A 2/1989 Childers et al.
4,865,814 A 9/1989 Childress
4,891,910 A 1/1990 Cook et al.
4,892,705 A 1/1990 Sternfeld et al.

FIG. 3 is a rear elevation view thereof with the tray member removed in order to show the underlying surface of the handle for portable sterilizing apparatus;

FIG. 4 is an enlarged left side elevation view thereof;

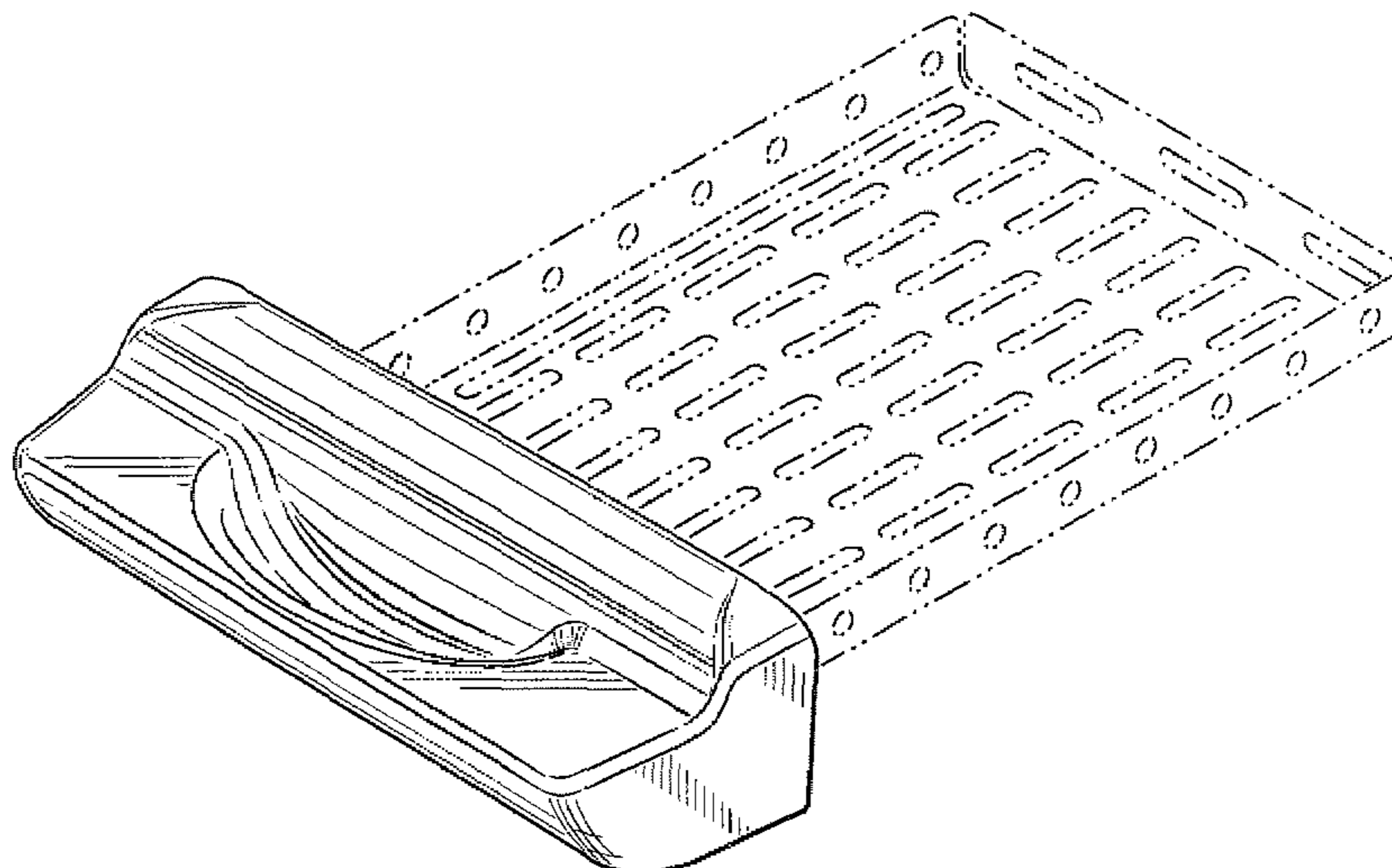
FIG. 5 is an enlarged right side elevation view thereof;

FIG. 6 is a top plan view thereof; and,

FIG. 7 is a bottom plan view thereof.

The broken lines in the drawing figures depict unclaimed environmental subject matter in both full and partial states. The broken lines form no part of the claimed design.

1 Claim, 3 Drawing Sheets



U.S. PATENT DOCUMENTS

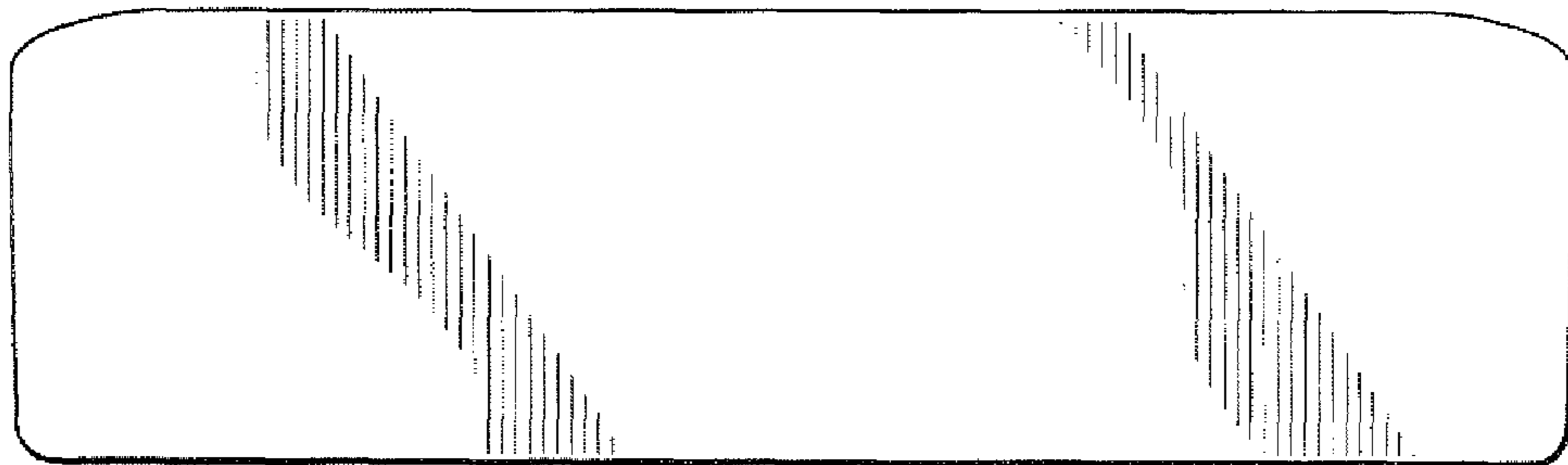
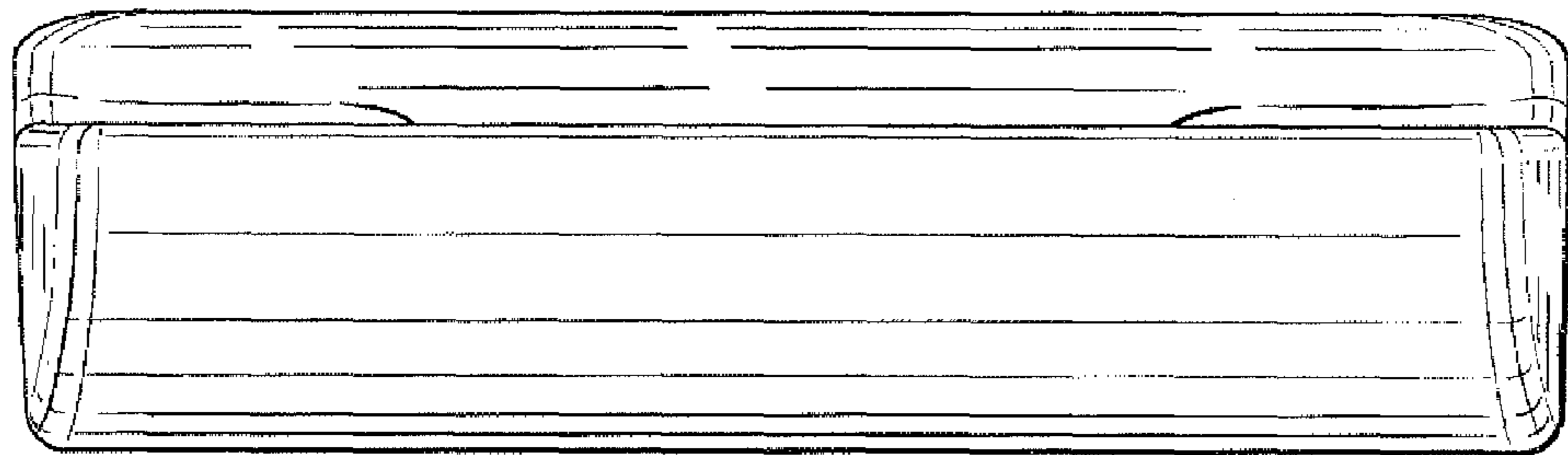
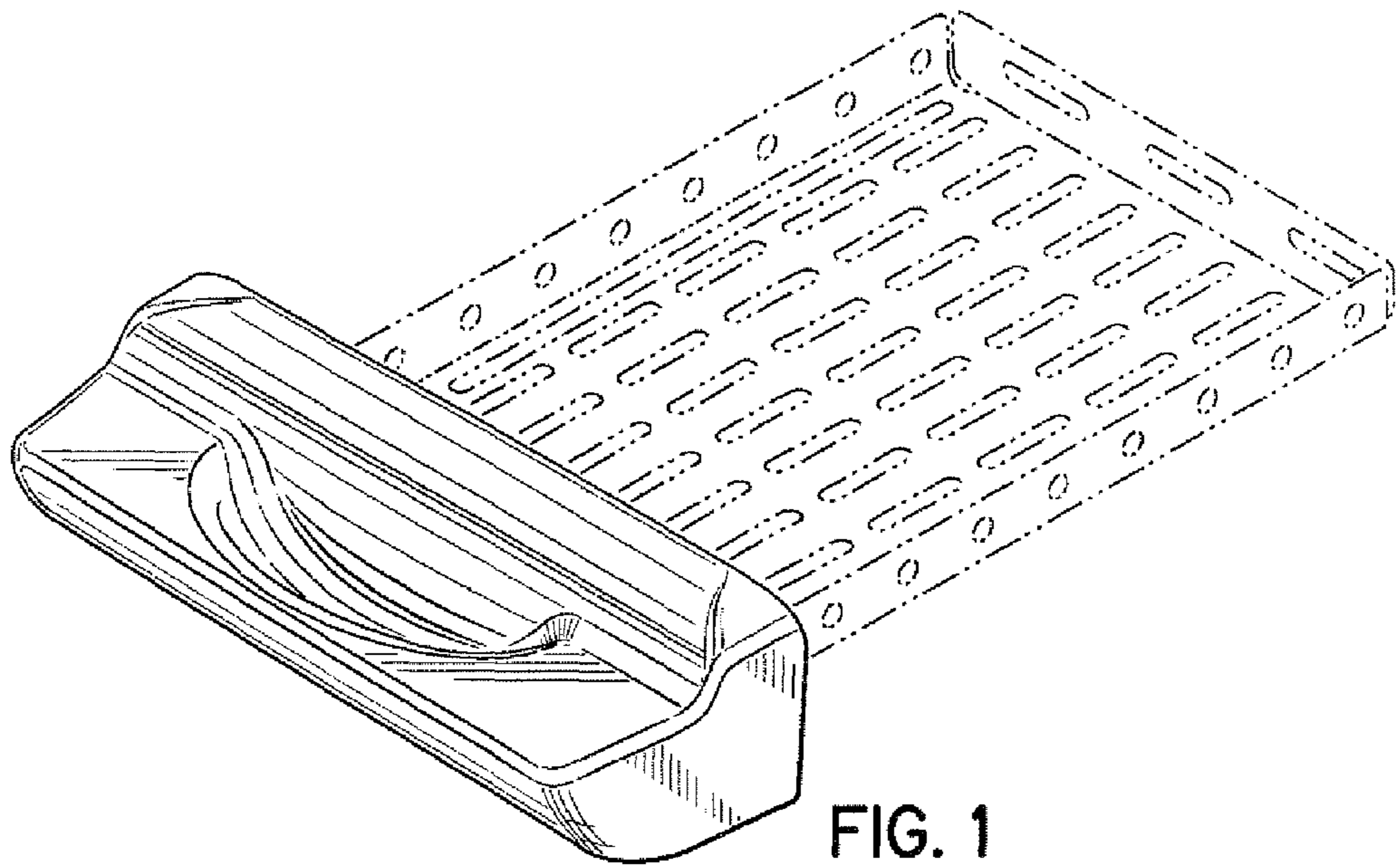
5,098,676 A 3/1992 Brooks, Jr.
 5,132,084 A 7/1992 Harrell et al.
 5,146,713 A 9/1992 Grafius
 5,195,790 A 3/1993 Bulko et al.
 5,223,229 A 6/1993 Brucker
 5,234,124 A 8/1993 Buckner, II et al.
 5,249,392 A 10/1993 Houston et al.
 5,252,303 A 10/1993 Goof
 5,256,382 A 10/1993 Ford et al.
 5,258,921 A 11/1993 Ellis
 5,261,250 A 11/1993 Missimer
 5,266,275 A 11/1993 Faddis
 5,271,893 A 12/1993 Newman
 5,290,511 A 3/1994 Newman
 D351,913 S * 10/1994 Hieb et al. D24/223
 5,366,693 A 11/1994 Burgos et al.
 5,390,322 A 2/1995 O'Brien et al.
 5,407,648 A 4/1995 Allen et al.
 5,424,047 A 6/1995 Zwingenberger et al.
 5,424,048 A 6/1995 Riley
 D369,087 S * 4/1996 Decursu et al. D8/314
 5,535,141 A 7/1996 Lussi
 5,540,901 A 7/1996 Riley
 5,566,508 A 10/1996 Houston
 5,571,476 A 11/1996 Newman
 5,713,941 A 2/1998 Robins et al.
 5,730,944 A 3/1998 Peake
 D395,708 S * 6/1998 Shartle et al. D24/224
 5,761,069 A 6/1998 Weber et al.
 D403,570 S * 1/1999 Relyea et al. D8/300
 5,858,304 A 1/1999 Breach
 5,868,999 A 2/1999 Karlson
 5,880,438 A 3/1999 Parrini et al.
 5,882,612 A 3/1999 Riley
 5,993,754 A 11/1999 Lemmen et al.
 6,007,780 A 12/1999 Heredia
 6,017,105 A 1/2000 Goughnour et al.
 6,048,502 A 4/2000 Easter
 6,048,503 A 4/2000 Riley et al.
 6,058,247 A 5/2000 Lahey et al.
 D429,140 S * 8/2000 Schacht et al. D8/314
 6,217,835 B1 4/2001 Riley et al.
 6,251,345 B1 6/2001 Palmers

6,319,479 B1 11/2001 Houston
 6,391,258 B1 5/2002 Peake et al.
 6,416,144 B1 7/2002 Houston et al.
 6,589,477 B1 7/2003 Frieze et al.
 6,713,029 B1 3/2004 Krafft et al.
 6,793,900 B1 9/2004 Morck et al.
 D500,659 S * 1/2005 Reed et al. D8/313
 6,874,634 B2 4/2005 Riley
 6,984,359 B2 1/2006 Florkey et al.
 6,992,494 B2 1/2006 Kaiser et al.
 D565,743 S * 4/2008 Phillips et al. D24/229
 2002/0085945 A1 7/2002 Florkey et al.
 2002/0098139 A1 7/2002 Sparks
 2003/0118491 A1 6/2003 Frieze et al.
 2003/0200876 A1 10/2003 Brokaw et al.
 2004/0042943 A1 3/2004 Wanselin
 2004/0091389 A1 5/2004 Malkin et al.
 2004/0256269 A1 12/2004 Gleichauf et al.
 2005/0001634 A1 1/2005 Kaiser et al.
 2005/0050644 A1 3/2005 Severns et al.
 2005/0063883 A1 3/2005 Sullivan
 2005/0191207 A1 9/2005 Terwilliger et al.
 2005/0263421 A1 12/2005 Kohler
 2005/0263422 A1 12/2005 Kohler

OTHER PUBLICATIONS

Paragon Medical, Pelton Crane Delta XL Autoclave [online], p. 2, [retrieved Apr. 24, 2009]. Retrieved from the Internet: <URL: <http://www.paragonmed.com/autoclave.shtml>.
 Dre, Statim Sterilizer [online], [retrieved May 21, 2009]. Retrieved from the Internet: <URL: <http://www.dremed.com/catalog/documents/sci-can>.
 Scican, Statim Sterilizer [online], [retrieved May 21, 2009]. Retrieved from the Internet: <URL: <http://www.piercing.org/statim/index.htm>.
 Alfa Medical, Scican Statim 2000 Parts, main view [online], [retrieved May 21, 2009]. Retrieved from the Internet: <URL: <http://www.autoclave-parts.com/Z-Scican/Statim-2000/Statim-2000.html>.
 Alfa Medical, Scican Statim 2000 Sterilizer Parts, right view [online], [retrieved May 21, 2009]. Retrieved from the Internet: <URL: <http://www.autoclave-parts.com/Z-Scican/Statim-2000/Statim-2000-right.html>.

* cited by examiner



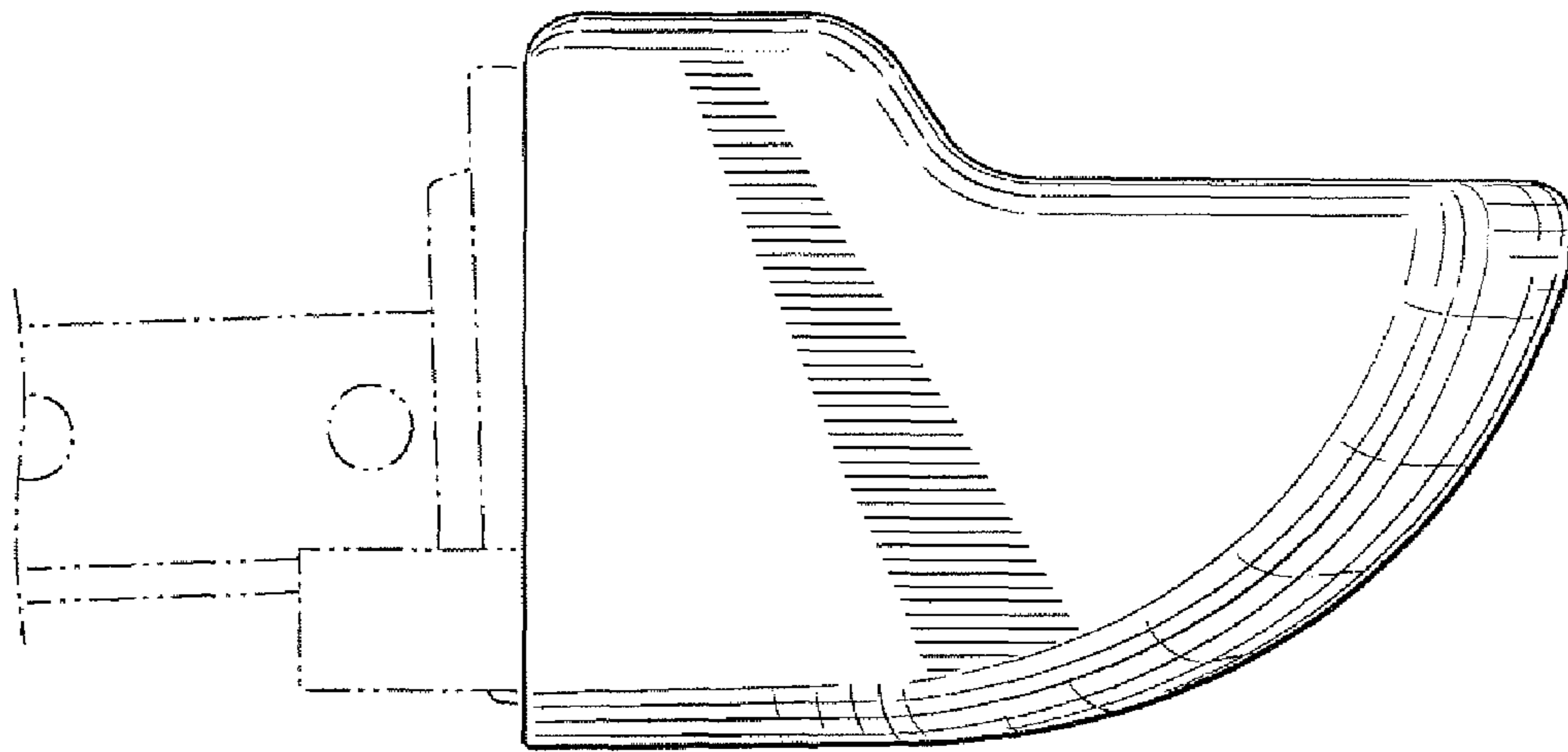


FIG. 4

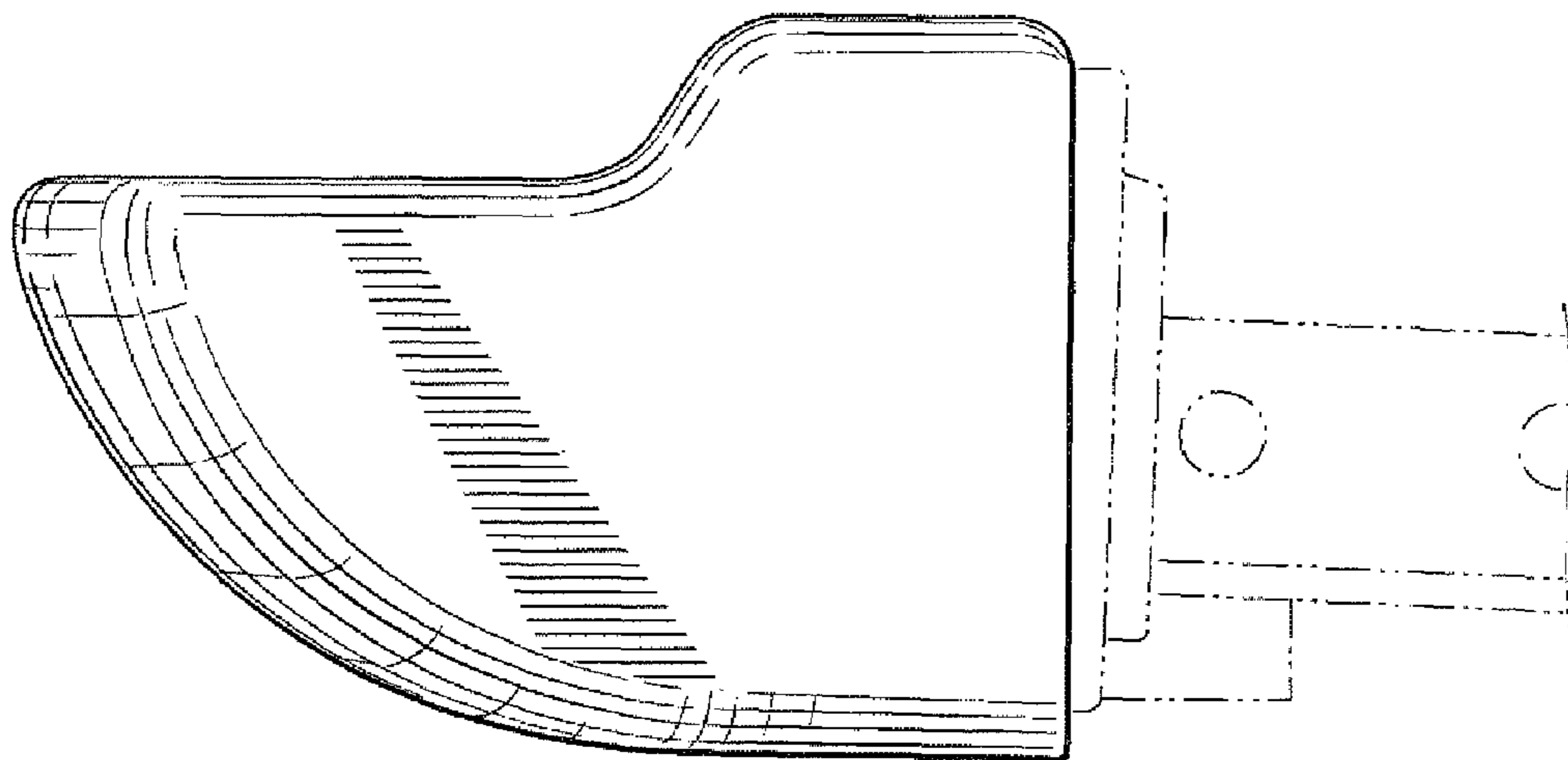


FIG. 5

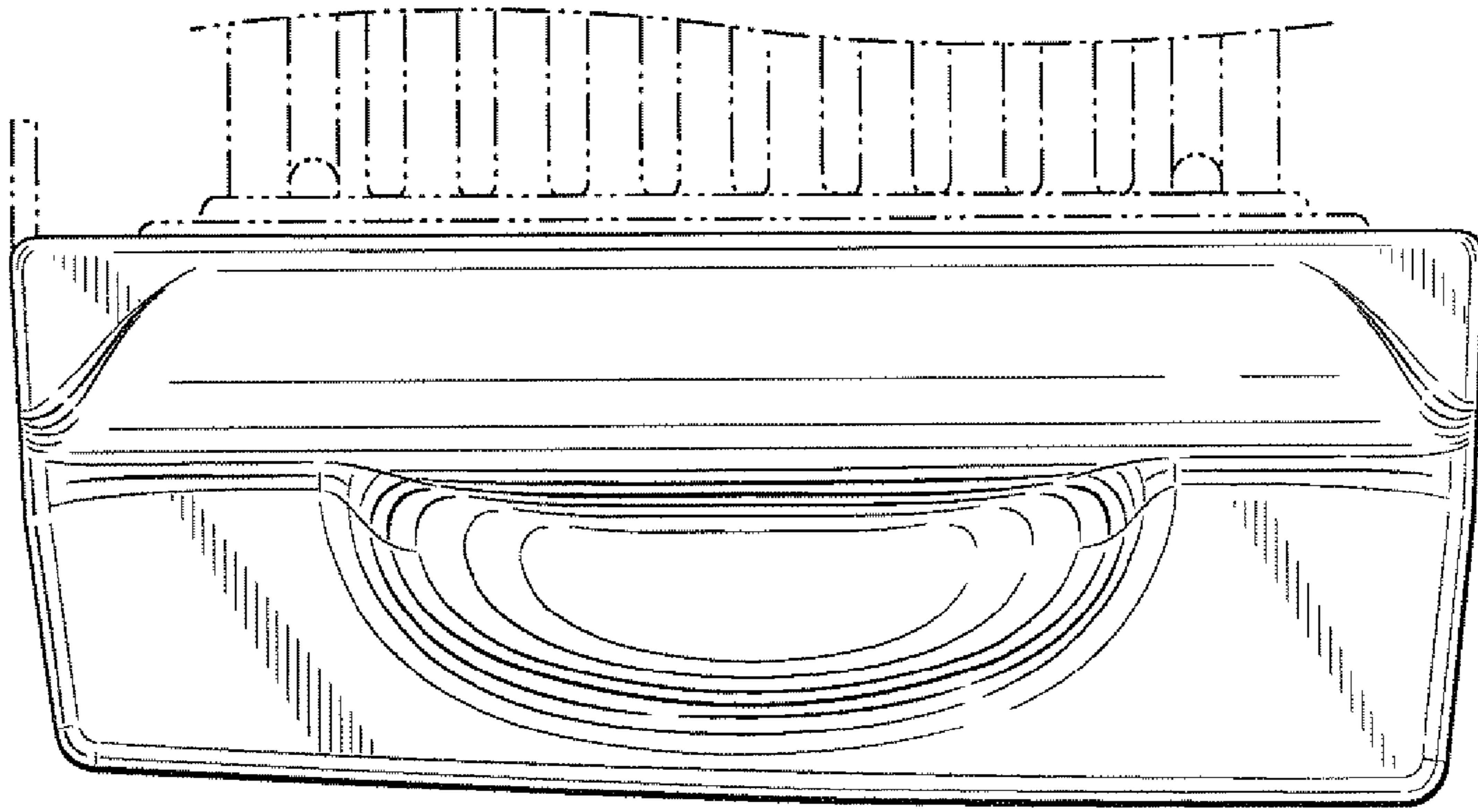


FIG. 6

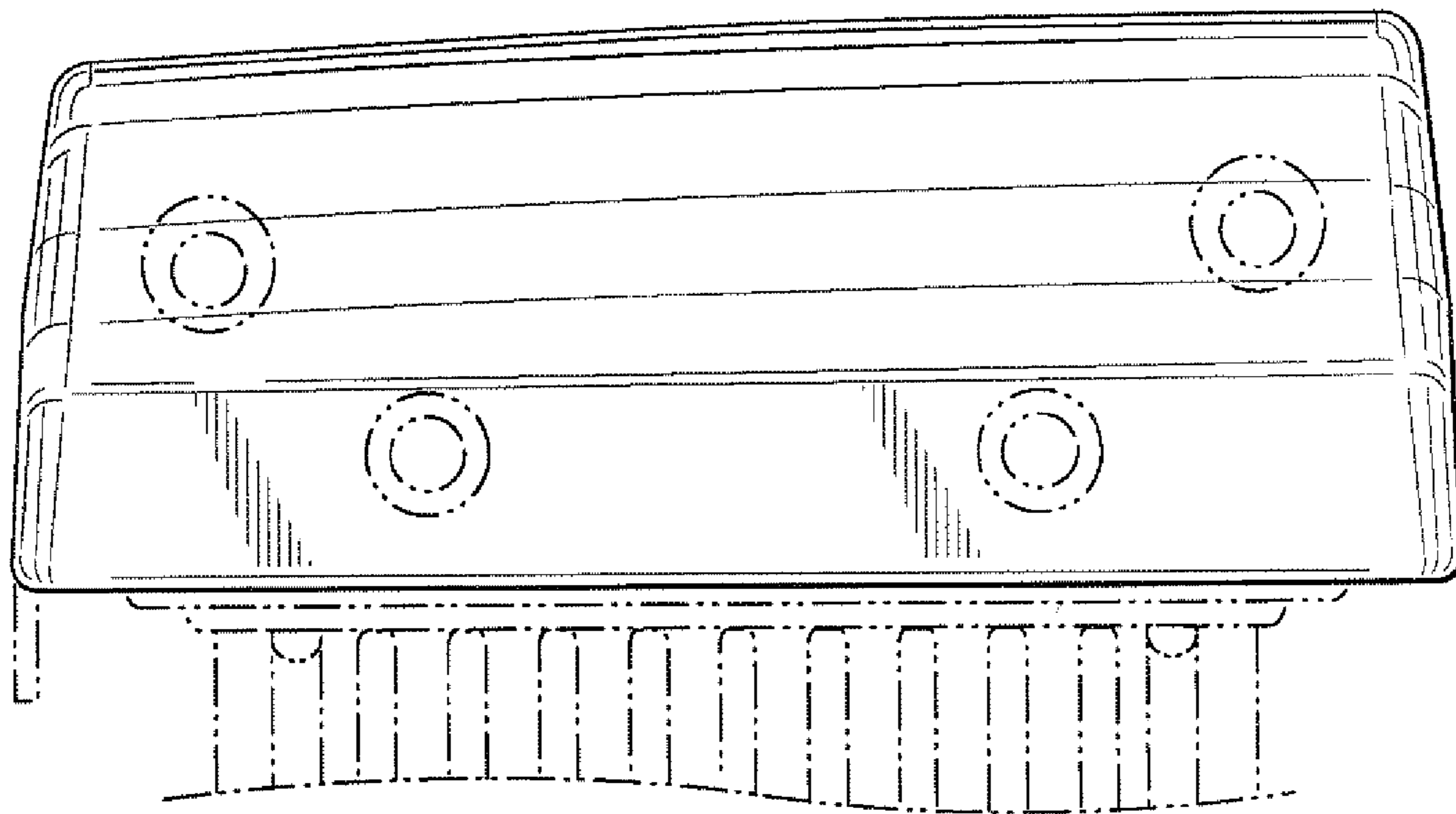


FIG. 7