

US00D598563S

(12) **United States Design Patent**  
**Cannon et al.**

(10) **Patent No.:** **US D598,563 S**  
(45) **Date of Patent:** **\*\* Aug. 18, 2009**

(54) **EROGENOUS STIMULATOR**

(75) Inventors: **Catherine Cannon**, 5641 Carleton Rd.,  
Mariposa, CA (US) 95338; **Melissa Mia Kain**, 1525 State Road 37 North,  
Mulberry, FL (US) 33860

(73) Assignees: **Catherine Cannon**, Mariposa, CA (US);  
**Melissa Mia Kain**, Mulberry, FL (US)

(\*\*) Term: **14 Years**

(21) Appl. No.: **29/320,179**

(22) Filed: **Jun. 23, 2008**

(51) **LOC (9) Cl.** ..... **28-03**

(52) **U.S. Cl.** ..... **D24/215; D24/214**

(58) **Field of Classification Search** ..... D24/200,  
D24/211, 214, 215, 105; 600/38, 39; 601/84,  
601/72, 94, 70, 69, 79, 125, 122, 128; 128/842,  
128/844, 918

See application file for complete search history.

(56) **References Cited**

U.S. PATENT DOCUMENTS

D320,087 S *	9/1991	Sholzberg et al.	.....	D24/215
D376,650 S	12/1996	Kain	.....	D24/215
D384,156 S	9/1997	Kain	.....	D24/200
D384,158 S	9/1997	Kain	.....	D24/215
5,690,603 A *	11/1997	Kain	.....	600/38
6,132,366 A	10/2000	Ritchie et al.	.....	600/38
7,001,317 B2 *	2/2006	Marcotte	.....	128/833
D536,097 S *	1/2007	Nan	.....	D24/215

D592,758 S *	5/2009	Kain	.....	D24/215
2002/0103415 A1 *	8/2002	Manska et al.	.....	600/38
2003/0097041 A1 *	5/2003	Ritchie et al.	.....	600/38
2005/0187431 A1 *	8/2005	Hudson	.....	600/38
2005/0228218 A1 *	10/2005	Skidmore et al.	.....	600/38

\* cited by examiner

*Primary Examiner*—Cathron C Brooks

*Assistant Examiner*—Melanie Levy

(74) *Attorney, Agent, or Firm*—Robert C. Kain, Jr.

(57) **CLAIM**

We claim the ornamental design for erogenous stimulator, as shown and described.

**DESCRIPTION**

FIG. 1 is a left side view of the erogenous stimulator.

FIG. 2 is a front view of the erogenous stimulator shown in FIG. 1.

FIG. 3 is a right side perspective view of the erogenous stimulator shown in FIG. 1.

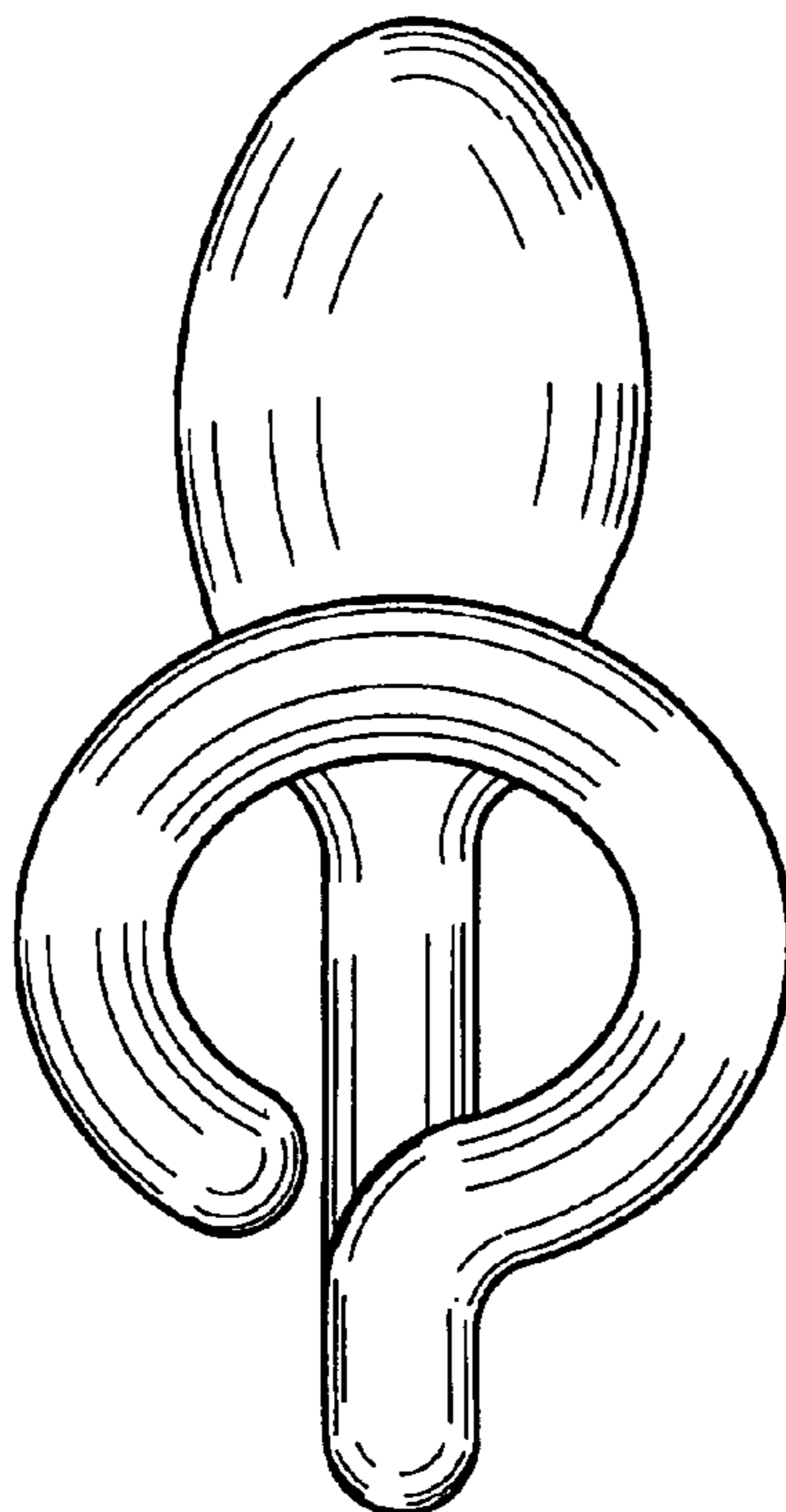
FIG. 4 is a right side view of the erogenous stimulator shown in FIG. 1.

FIG. 5 is top view of the erogenous stimulator shown in FIG. 1.

FIG. 6 is a bottom view of the erogenous stimulator shown in FIG. 1; and,

FIG. 7 is a rear view of the erogenous stimulator shown in FIG. 1.

**1 Claim, 4 Drawing Sheets**



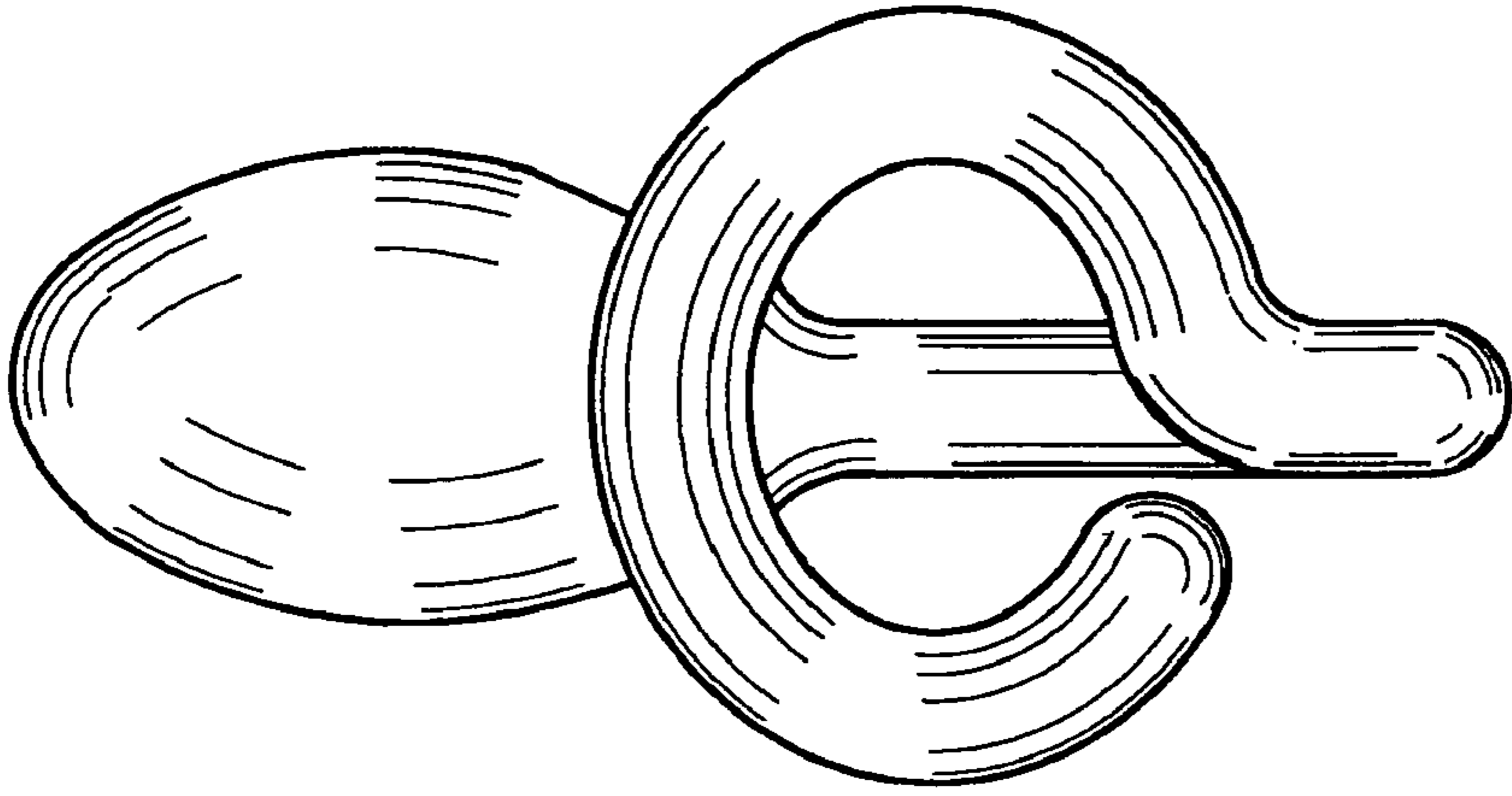


FIG. 2

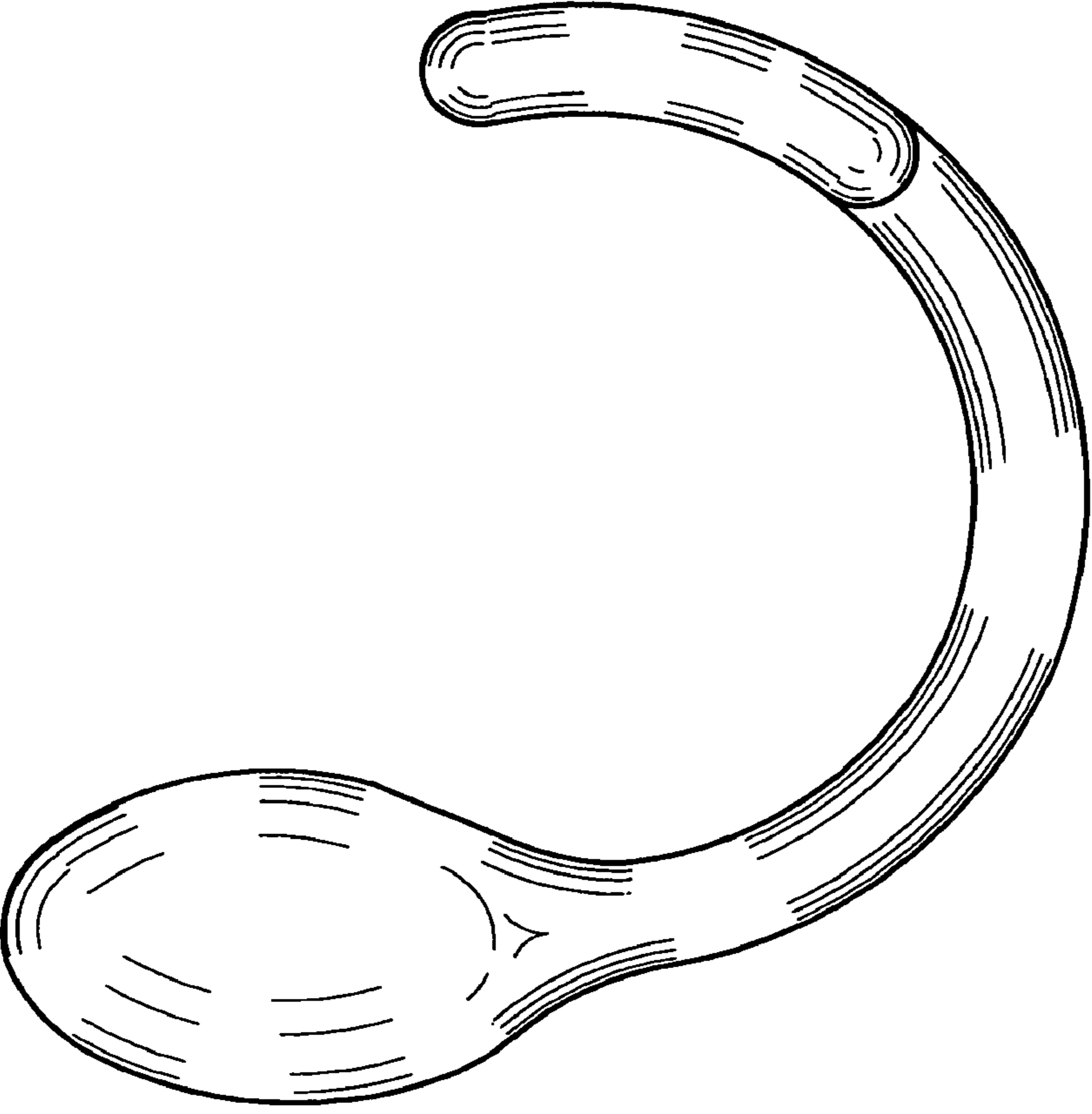


FIG. 1

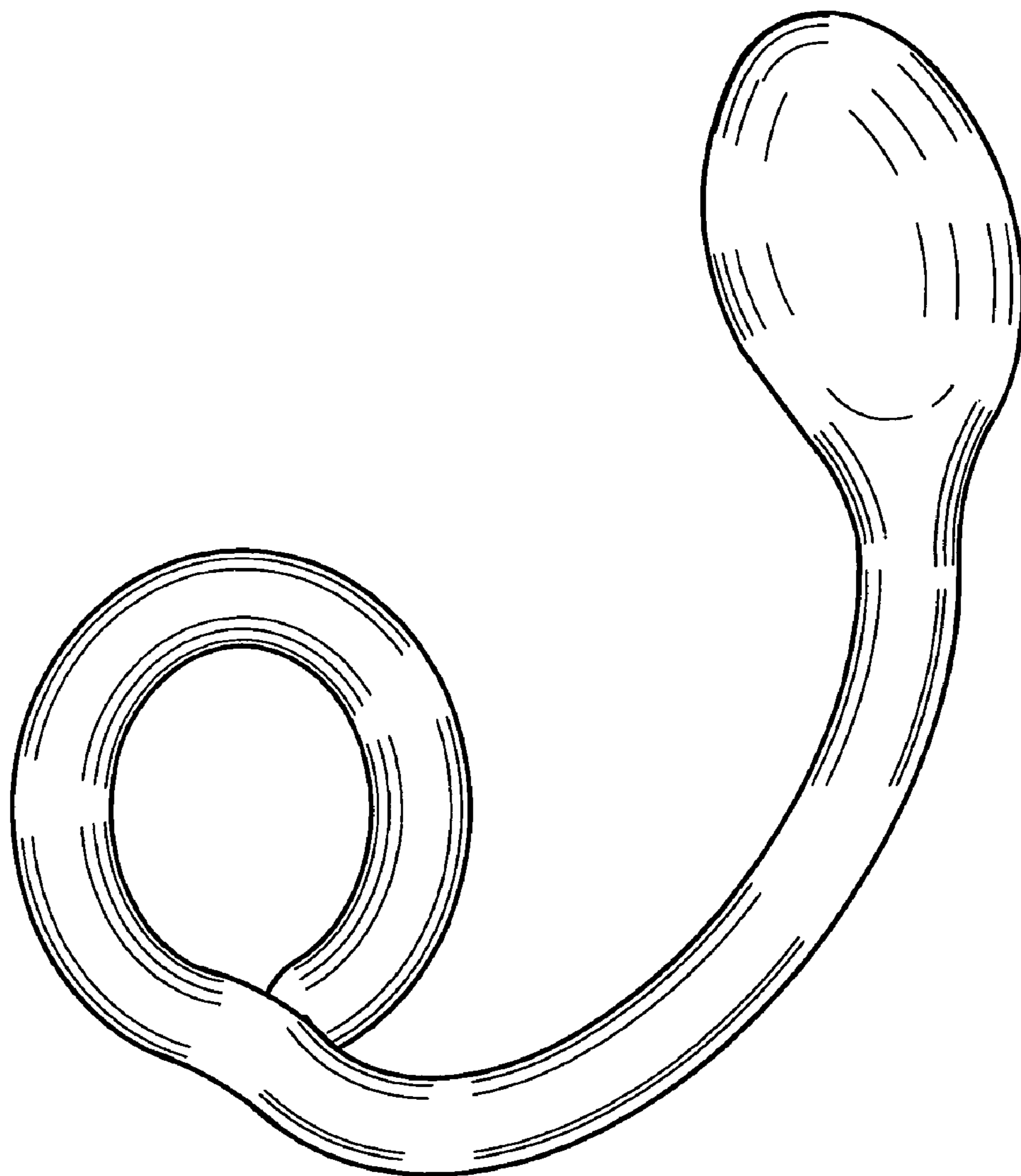


FIG. 3

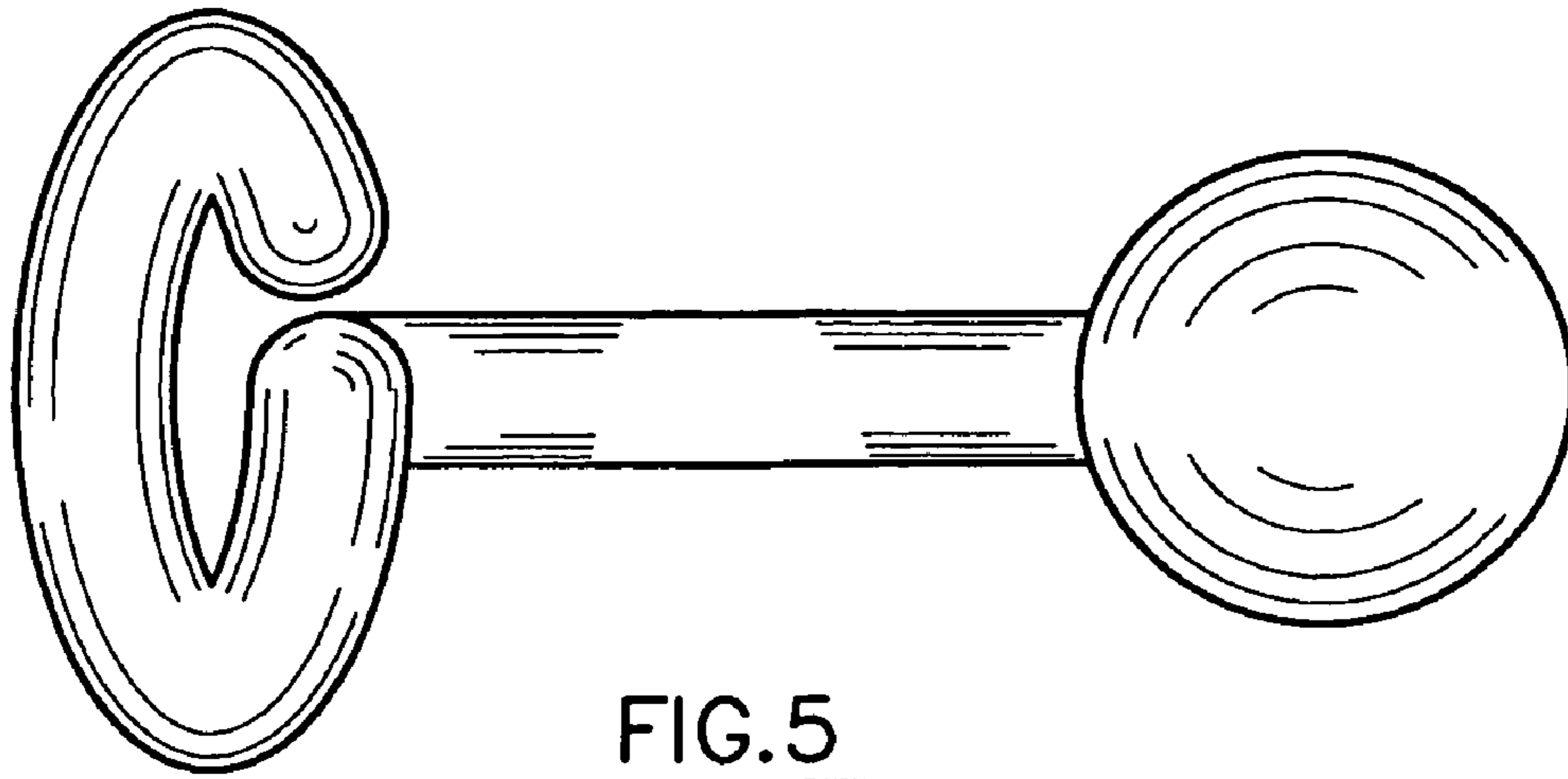


FIG. 5

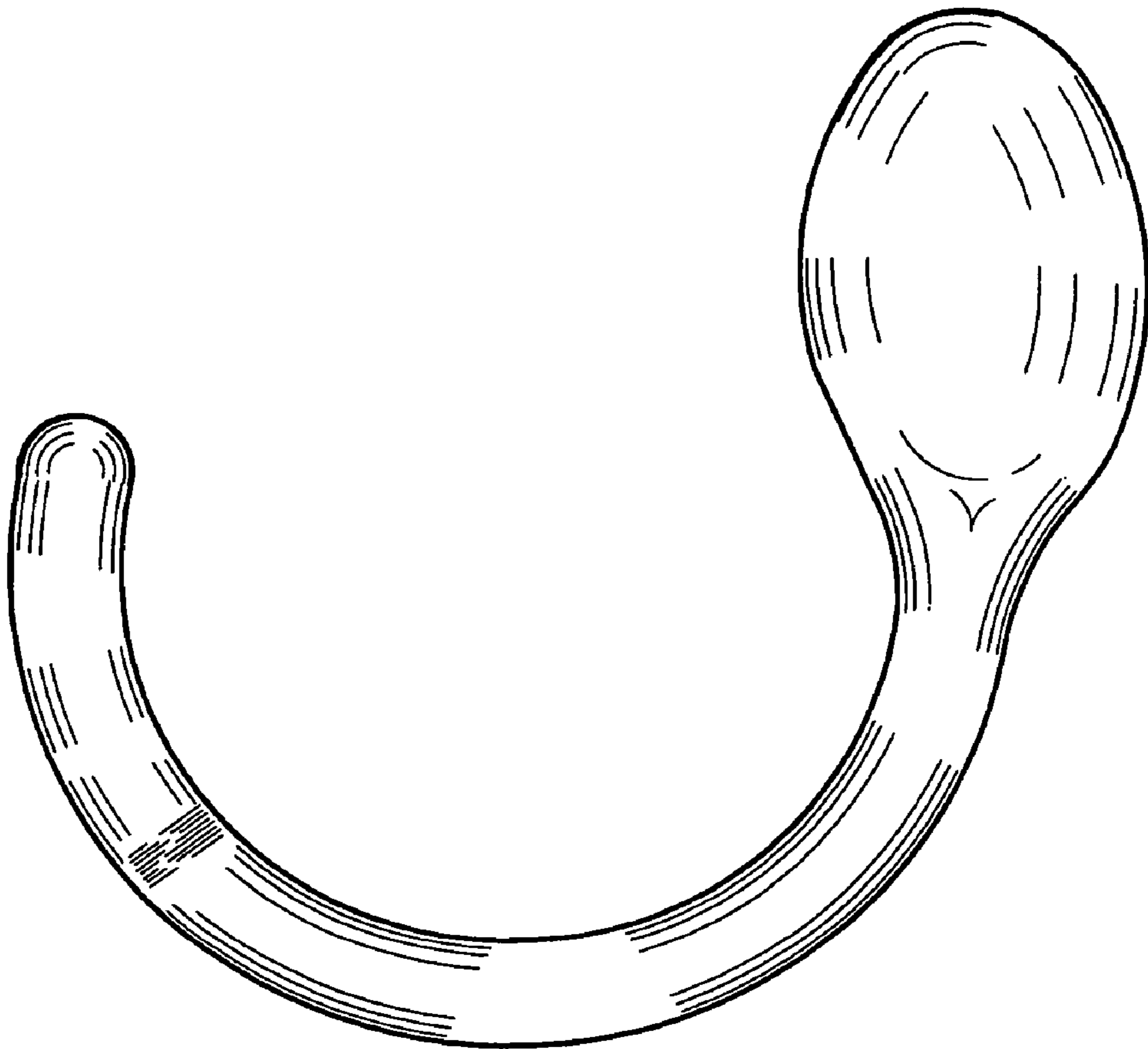


FIG. 4

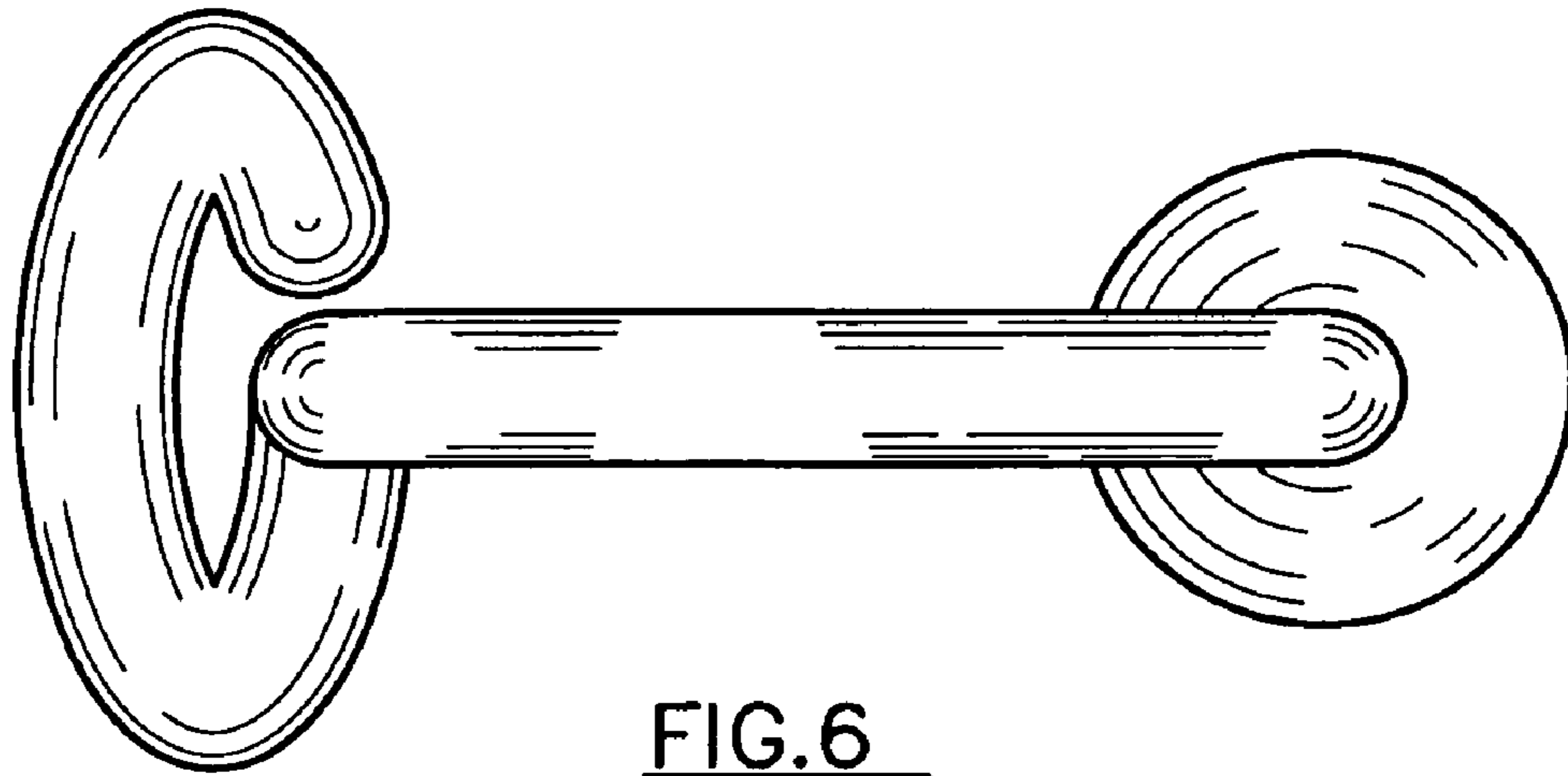


FIG. 6

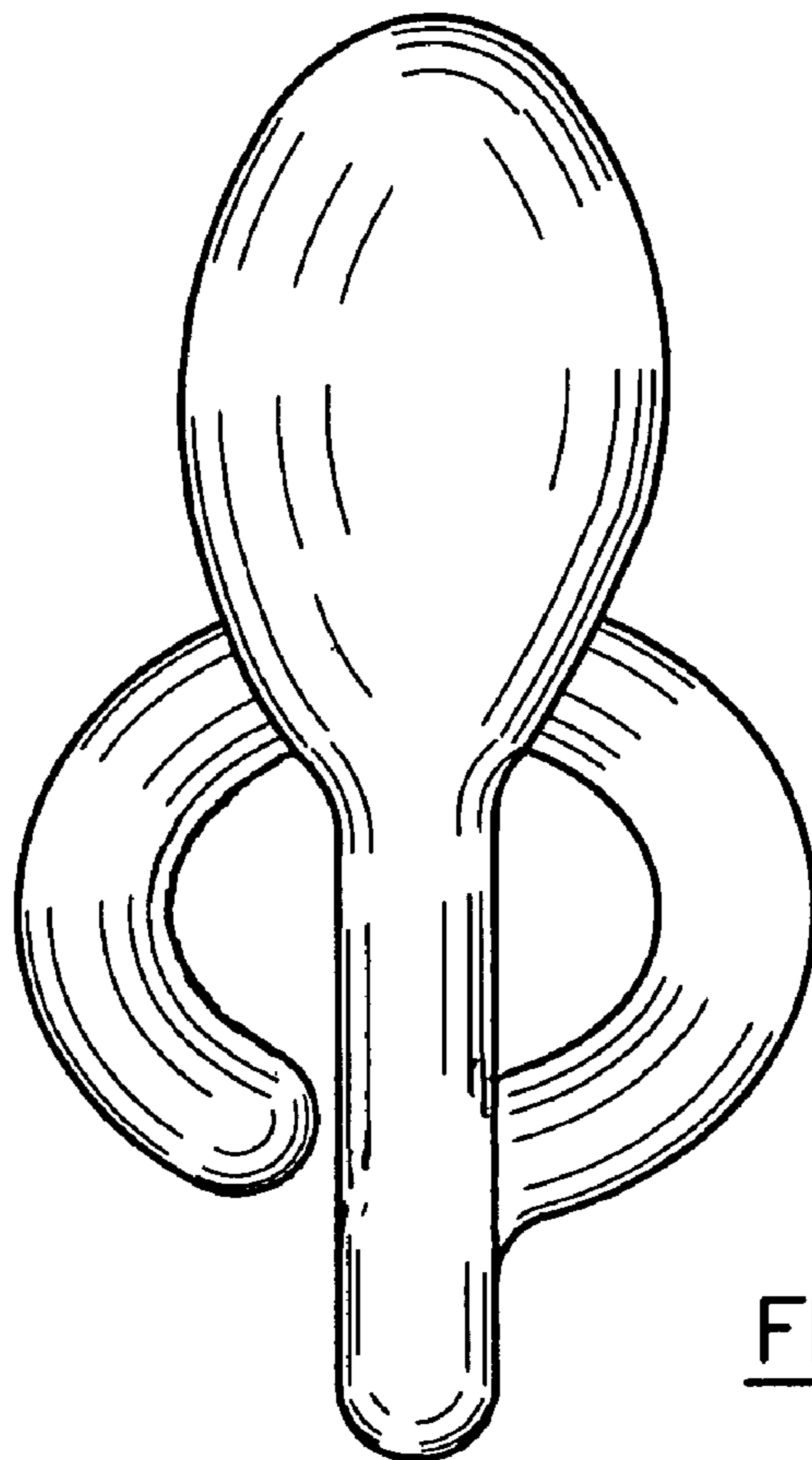


FIG. 7