



US00D598559S

(12) **United States Design Patent**
Powaser

(10) **Patent No.:** **US D598,559 S**

(45) **Date of Patent:** **** Aug. 18, 2009**

(54) **ORTHOTIC HEEL SUPPORT DEVICE**

(76) **Inventor:** **Michael J. Powaser**, 441 S. Ham La.,
Suite B, Lodi, CA (US) 95242

(**) **Term:** **14 Years**

(21) **Appl. No.:** **29/326,756**

(22) **Filed:** **Oct. 23, 2008**

(51) **LOC (9) Cl.** **24-01**

(52) **U.S. Cl.** **D24/192**

(58) **Field of Classification Search** D24/189-192,
D24/183; D2/915, 946, 964-968; D29/121.1-121.2;
36/8.3, 10, 71, 72 R, 77 R, 81, 88, 95-96,
36/114, 170; 128/879, 892-894; 2/16, 24,
2/239

See application file for complete search history.

(56) **References Cited**

U.S. PATENT DOCUMENTS

1,537,761	A *	5/1925	Geisman	36/72 R
3,024,543	A *	3/1962	Klym	36/9 R
3,124,887	A *	3/1964	Vassar	36/81
3,133,544	A *	5/1964	Coplans	36/170
3,555,706	A *	1/1971	Edmonds	36/114
3,937,218	A *	2/1976	Gaylord, Jr.	128/892
D239,058	S *	3/1976	Gaylord, Jr.	D24/192
4,051,613	A *	10/1977	Collins	36/114

D268,365	S *	3/1983	Malkin	D24/192
D337,421	S *	7/1993	Abuzeed	D2/915
D345,457	S *	3/1994	Friend	D2/946
D352,381	S *	11/1994	Rose	D2/915
6,041,523	A *	3/2000	Deloreia	36/71
D551,354	S *	9/2007	McBarnett et al.	D24/192

* cited by examiner

Primary Examiner—Philip S Hyder

Assistant Examiner—Susan E Krakower

(57) **CLAIM**

The ornamental design for an orthotic heel support device, as shown and described.

DESCRIPTION

FIG. 1 is a perspective three-dimensional view of the orthotic heel support device;

FIG. 2 is a side view thereof;

FIG. 3 is a top view thereof;

FIG. 4 is a front view thereof;

FIG. 5 is a back view thereof; and,

FIG. 6 is a bottom view thereof.

The broken lines showing a human ankle and foot in FIG. 1 are for illustrative purposes only and form no part of the claimed design.

1 Claim, 4 Drawing Sheets

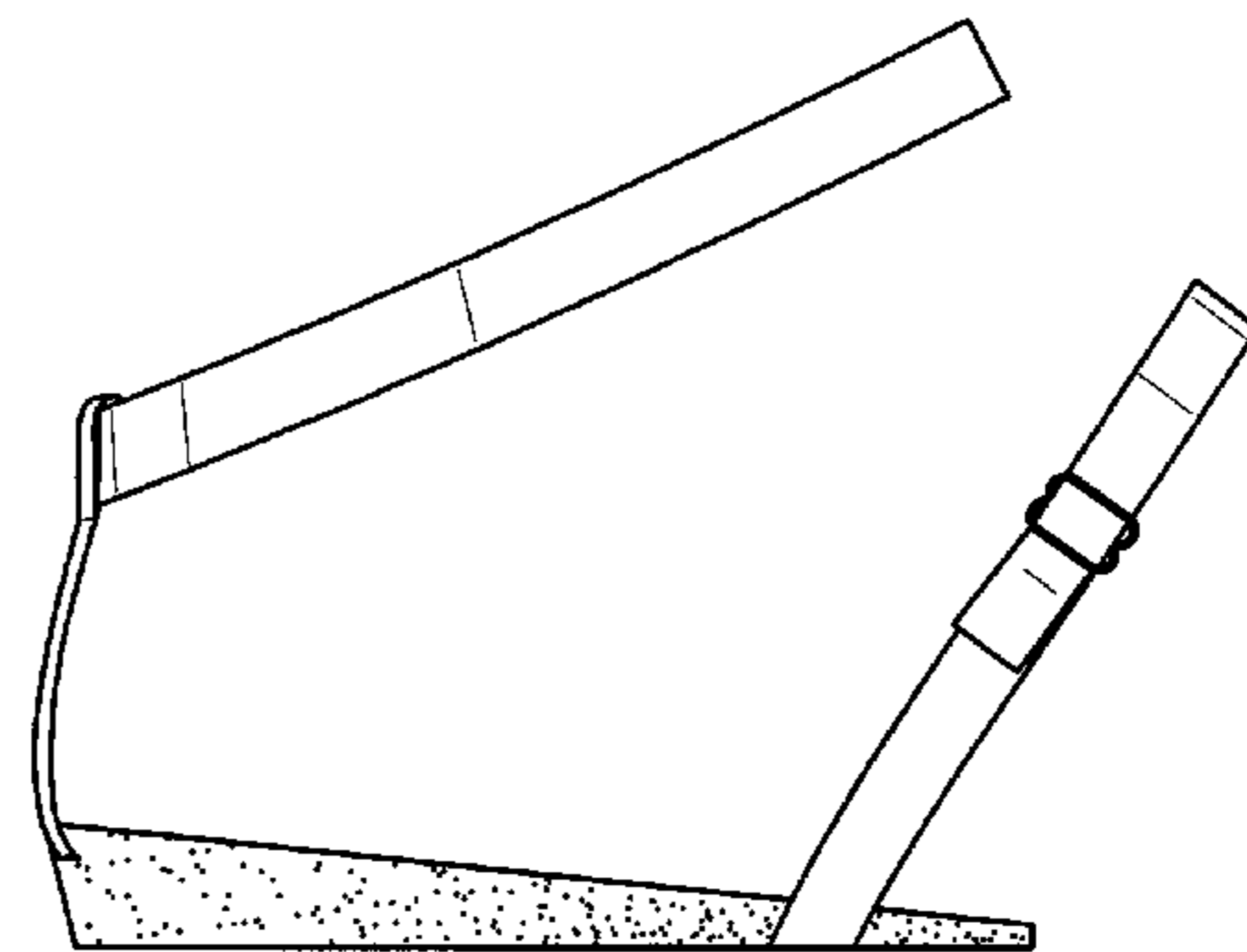
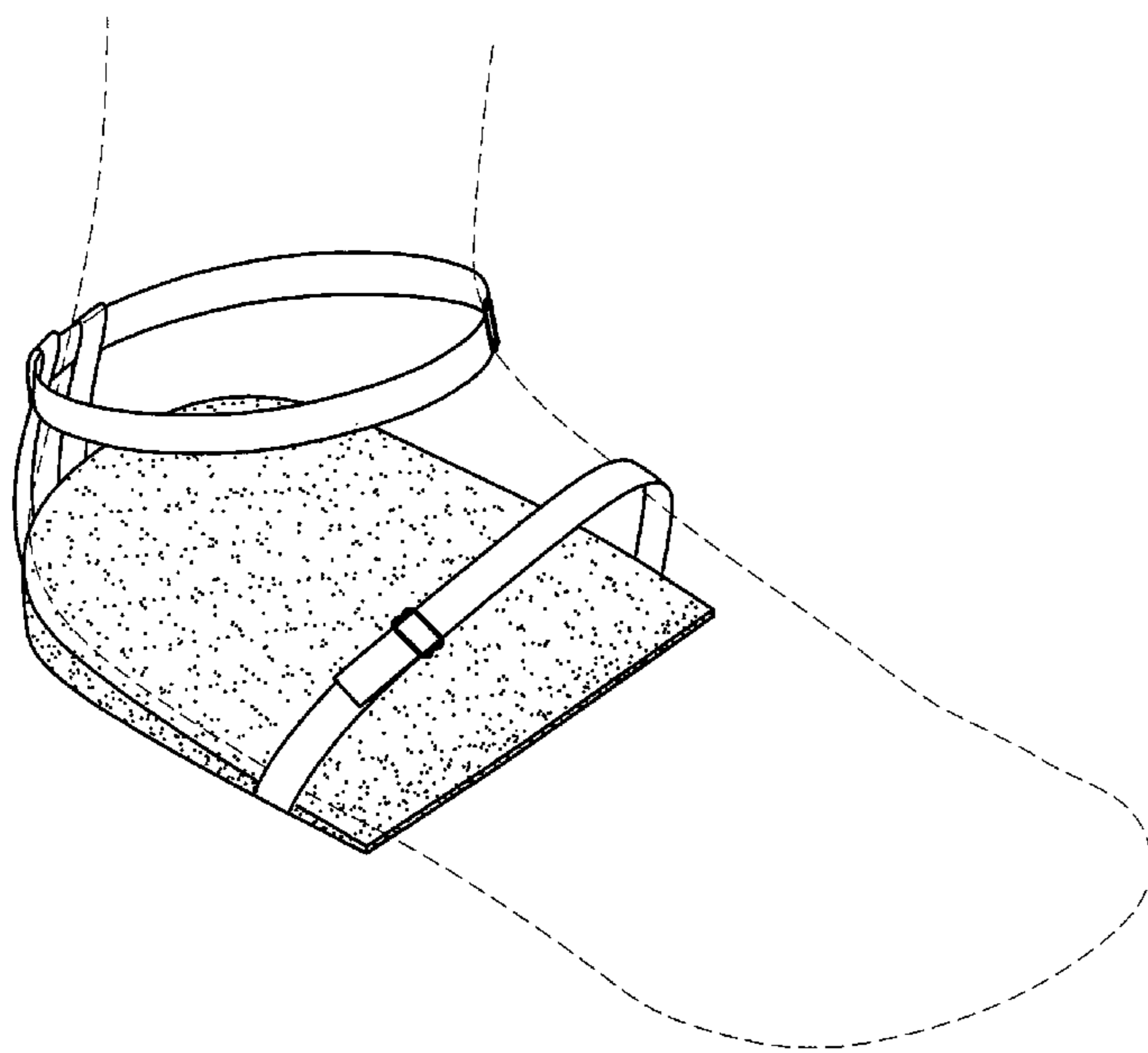


FIG. 1

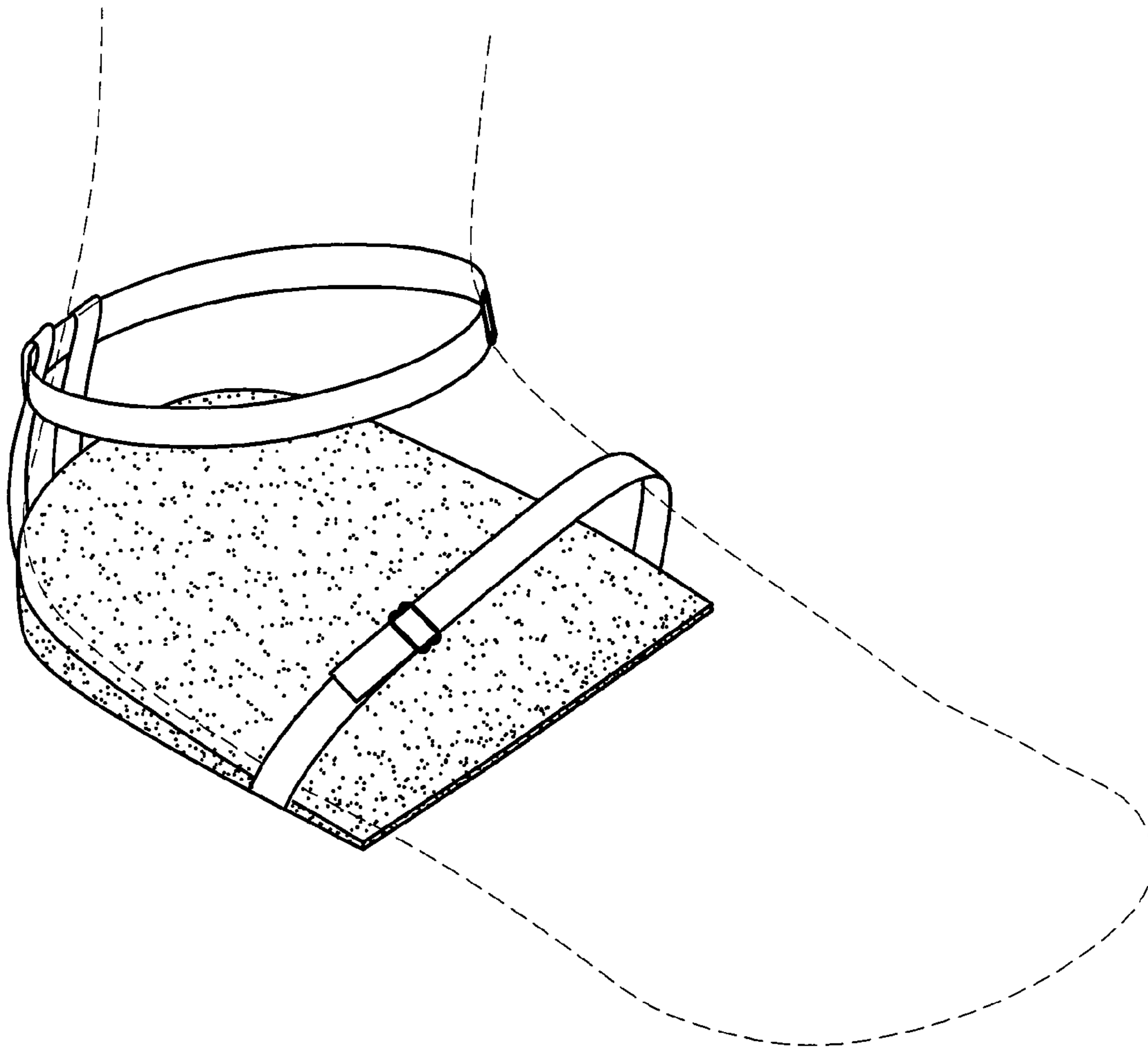


FIG. 2

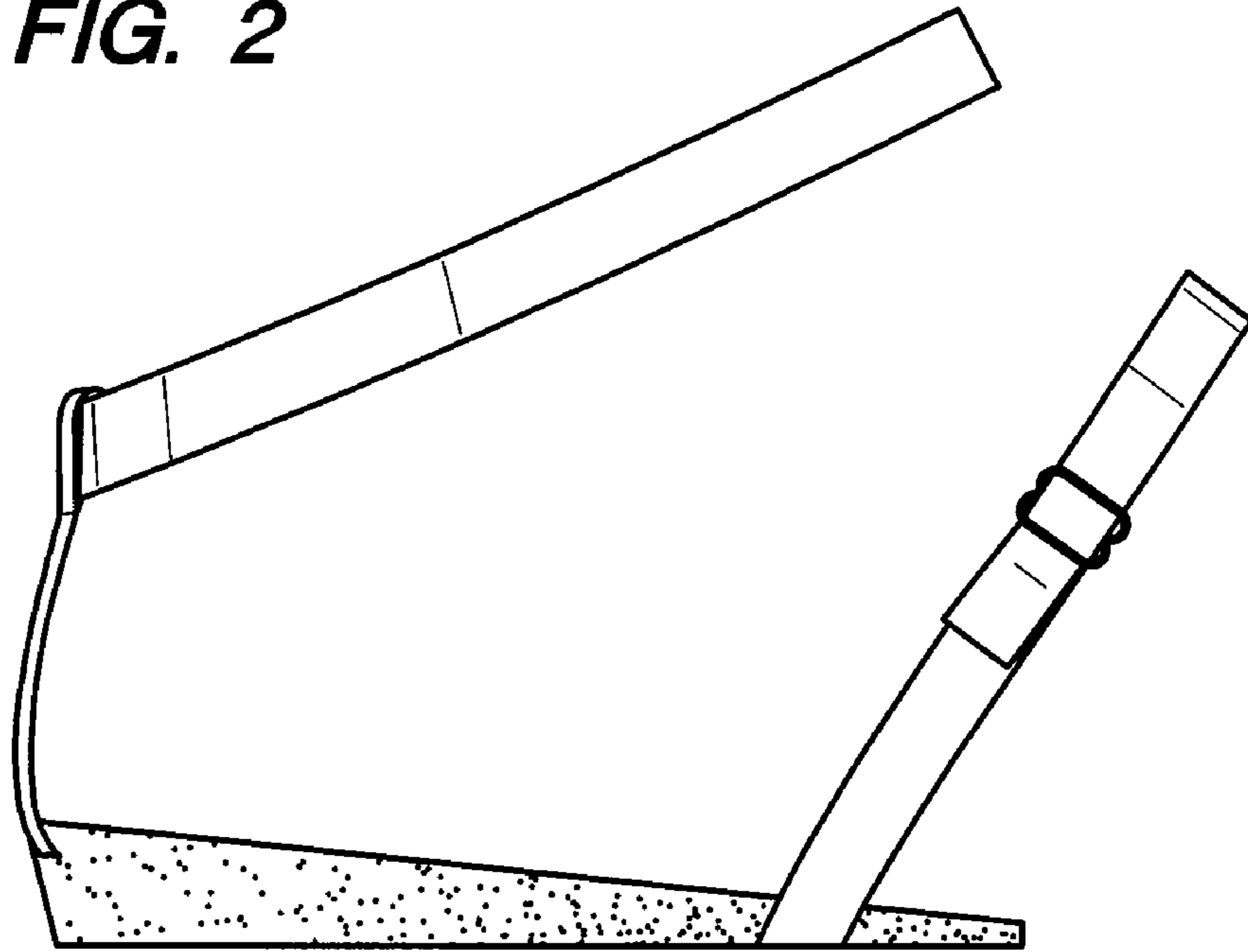


FIG. 3

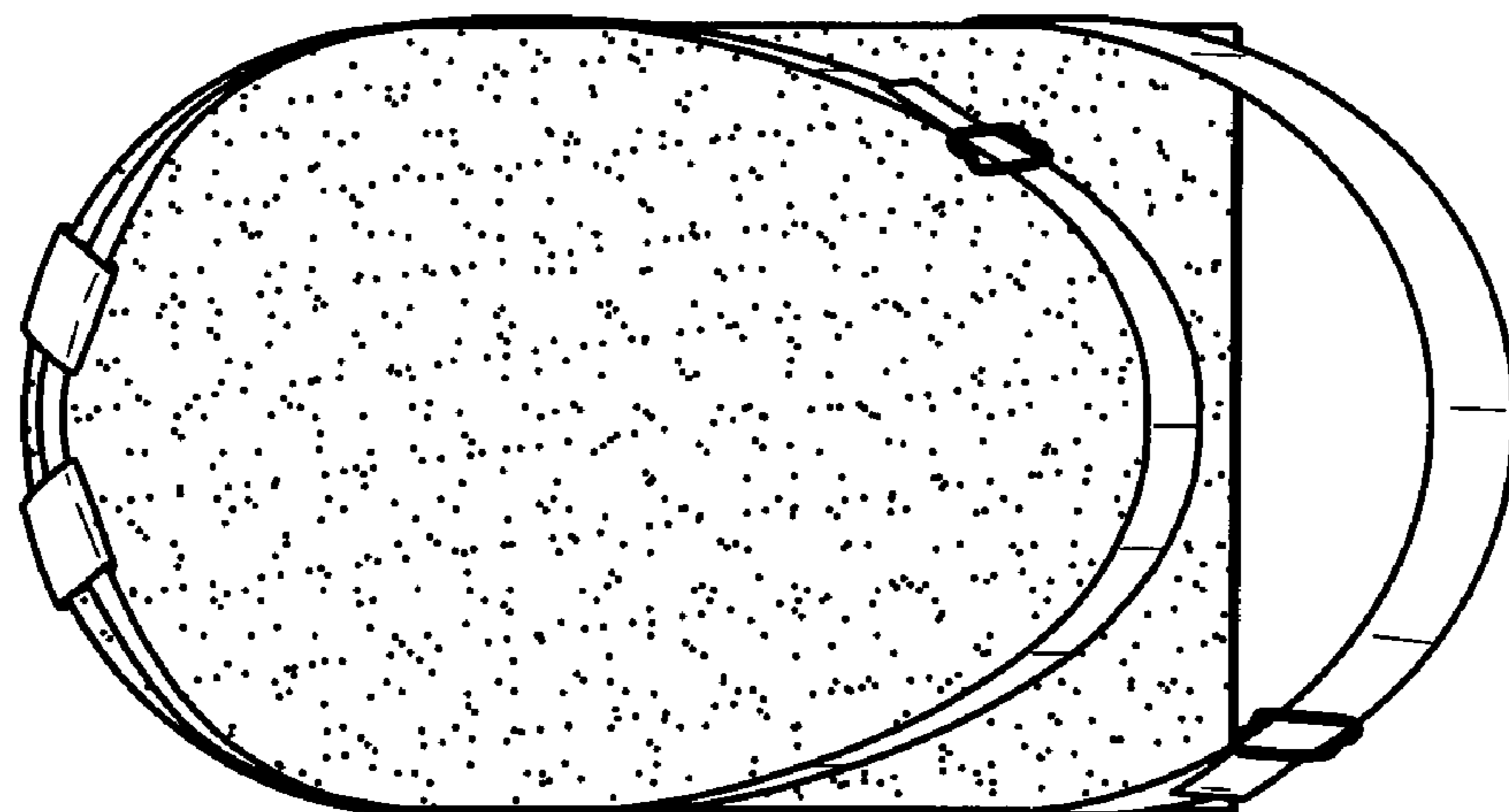


FIG. 4

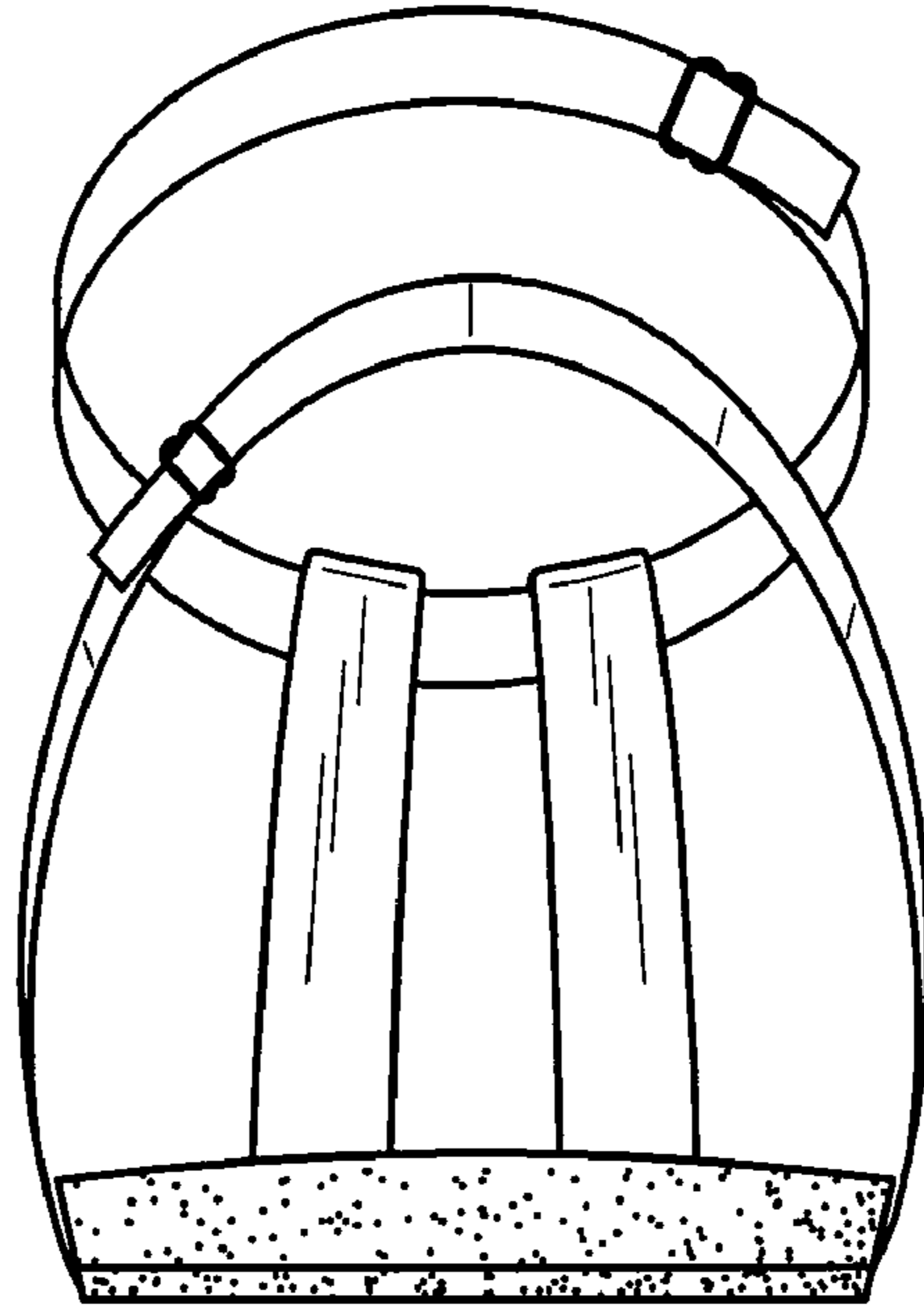


FIG. 5

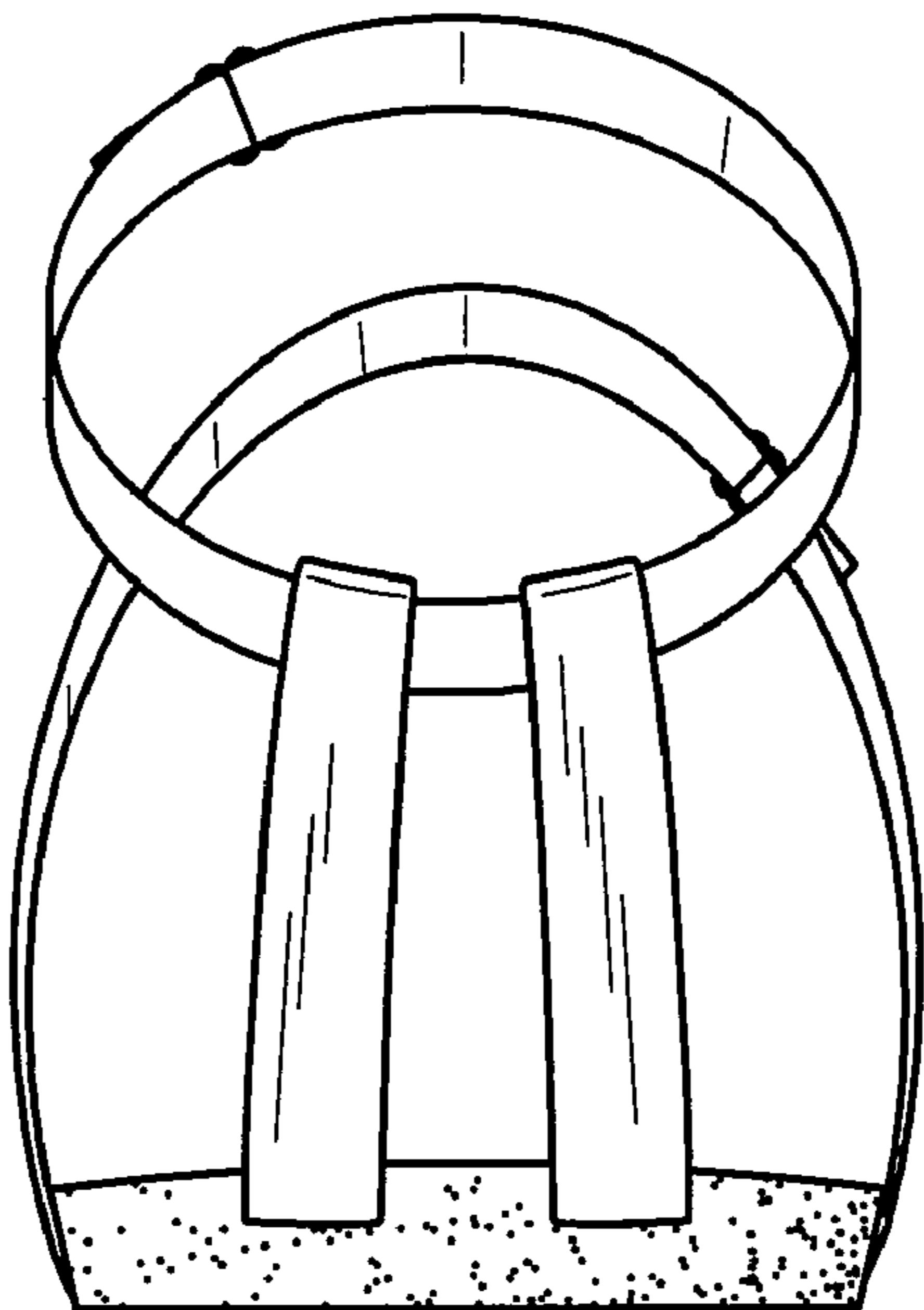


FIG. 6

