



US00D598557S

(12) **United States Design Patent**  
**Powaser**

(10) **Patent No.:** **US D598,557 S**

(45) **Date of Patent:** **\*\* Aug. 18, 2009**

(54) **ORTHOTIC HEEL SUPPORT DEVICE**

(76) Inventor: **Michael J. Powaser**, 441 S. Ham La.,  
Suite B, Lodi, CA (US) 95242

(\*\*) Term: **14 Years**

(21) Appl. No.: **29/326,754**

(22) Filed: **Oct. 23, 2008**

(51) **LOC (9) Cl.** ..... **24-01**

(52) **U.S. Cl.** ..... **D24/192**

(58) **Field of Classification Search** ..... D24/189-192,  
D24/183; D2/915, 946, 964-968; D29/121.1-121.2;  
36/8.3, 10, 71, 72 R, 77 R, 81, 88, 95-96,  
36/114, 170; 128/879, 892-894; 2/16, 24,  
2/239

See application file for complete search history.

(56) **References Cited**

**U.S. PATENT DOCUMENTS**

1,537,761	A *	5/1925	Geisman	.....	36/72 R
3,024,543	A *	3/1962	Klym	.....	36/9 R
3,124,887	A *	3/1964	Vassar	.....	36/81
3,133,544	A *	5/1964	Coplans	.....	36/170
3,555,706	A *	1/1971	Edmonds	.....	36/114
3,937,218	A *	2/1976	Gaylord, Jr.	.....	128/892
D239,058	S *	3/1976	Gaylord, Jr.	.....	D24/192
4,051,613	A *	10/1977	Collins	.....	36/114

D268,365	S *	3/1983	Malkin	.....	D24/192
D337,421	S *	7/1993	Abuzeed	.....	D2/915
D345,457	S *	3/1994	Friend	.....	D2/946
D352,381	S *	11/1994	Rose	.....	D2/915
6,041,523	A *	3/2000	Deloreia	.....	36/71
D551,354	S *	9/2007	McBarnett et al.	.....	D24/192

\* cited by examiner

*Primary Examiner*—Philip S Hyder

*Assistant Examiner*—Susan E Krakower

(57) **CLAIM**

The ornamental design for an orthotic heel support device, as shown and described.

**DESCRIPTION**

FIG. 1 is a perspective three-dimensional view of the orthotic heel support device;

FIG. 2 is a side view thereof;

FIG. 3 is a top view thereof;

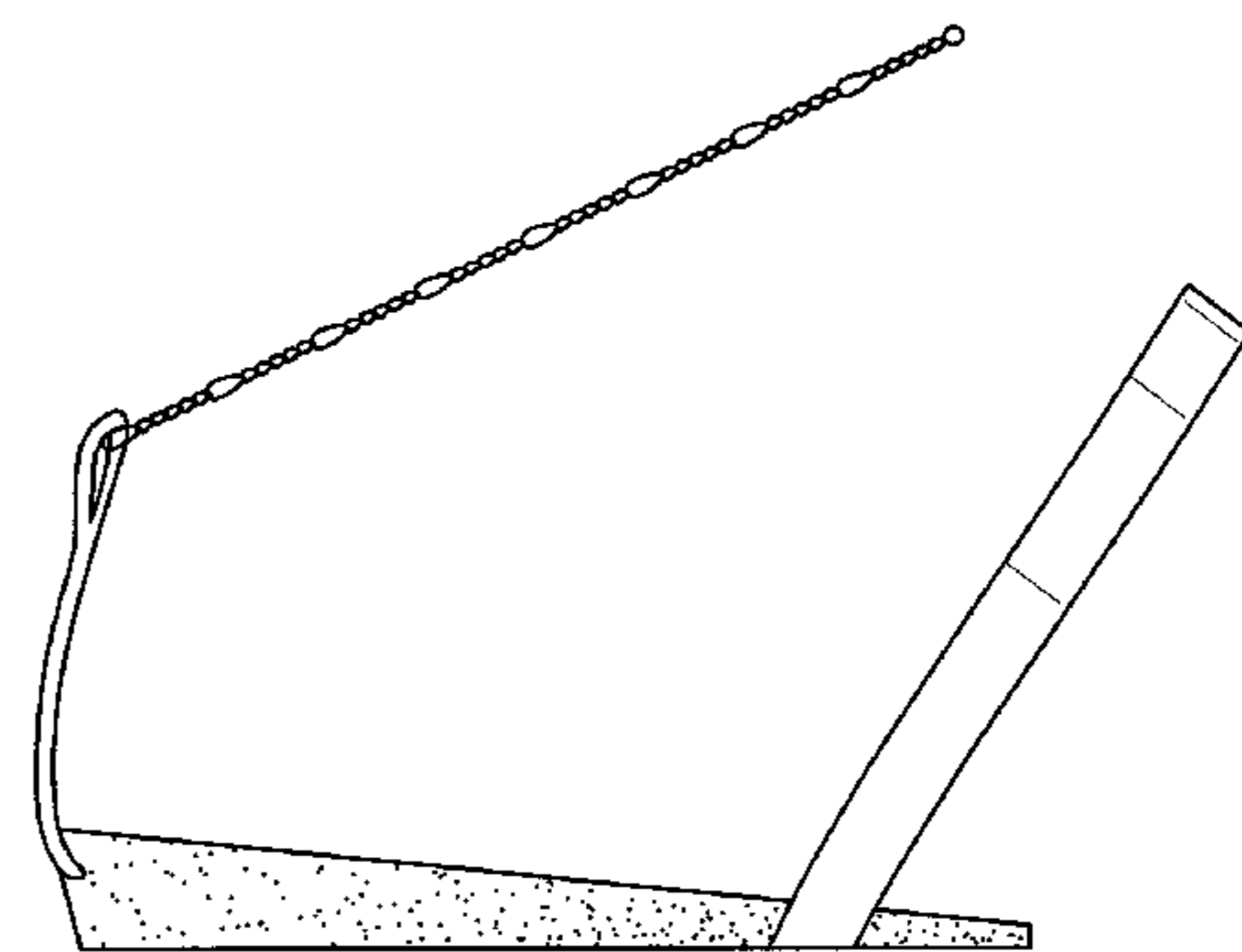
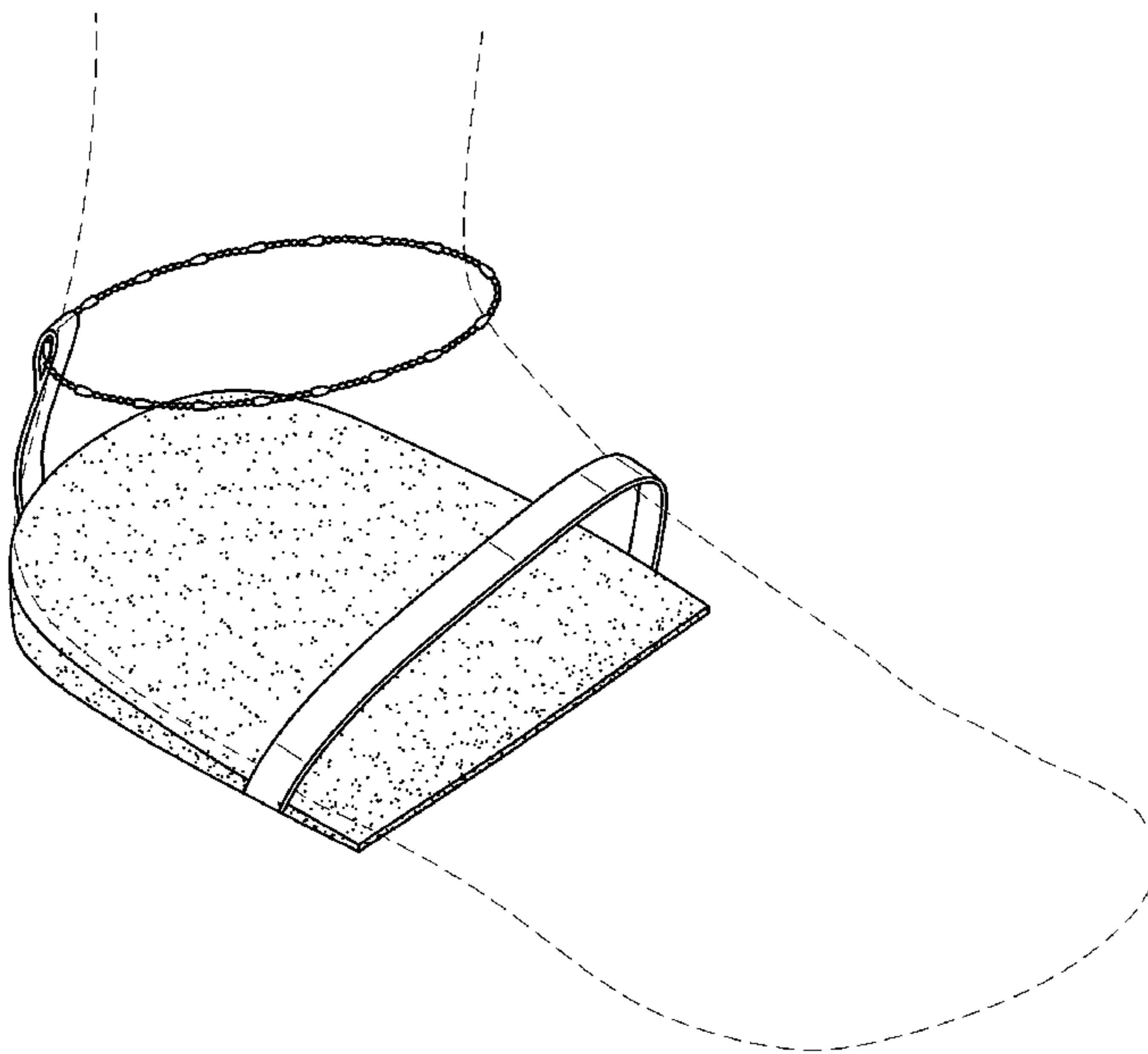
FIG. 4 is a front view thereof;

FIG. 5 is a back view thereof; and,

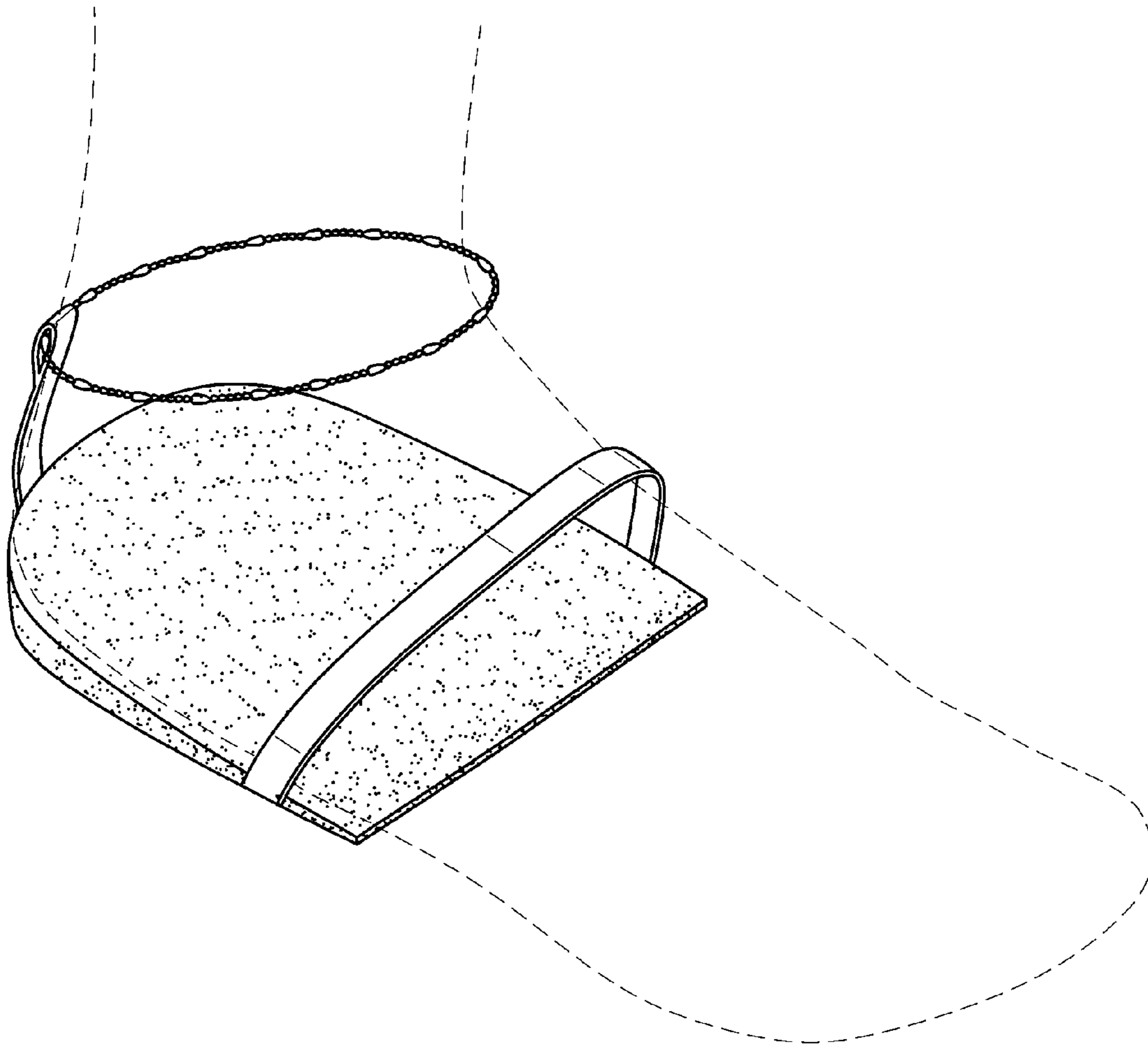
FIG. 6 is a bottom view thereof.

The broken lines showing a human ankle and foot in FIG. 1 are for illustrative purposes only and form no part of the claimed design.

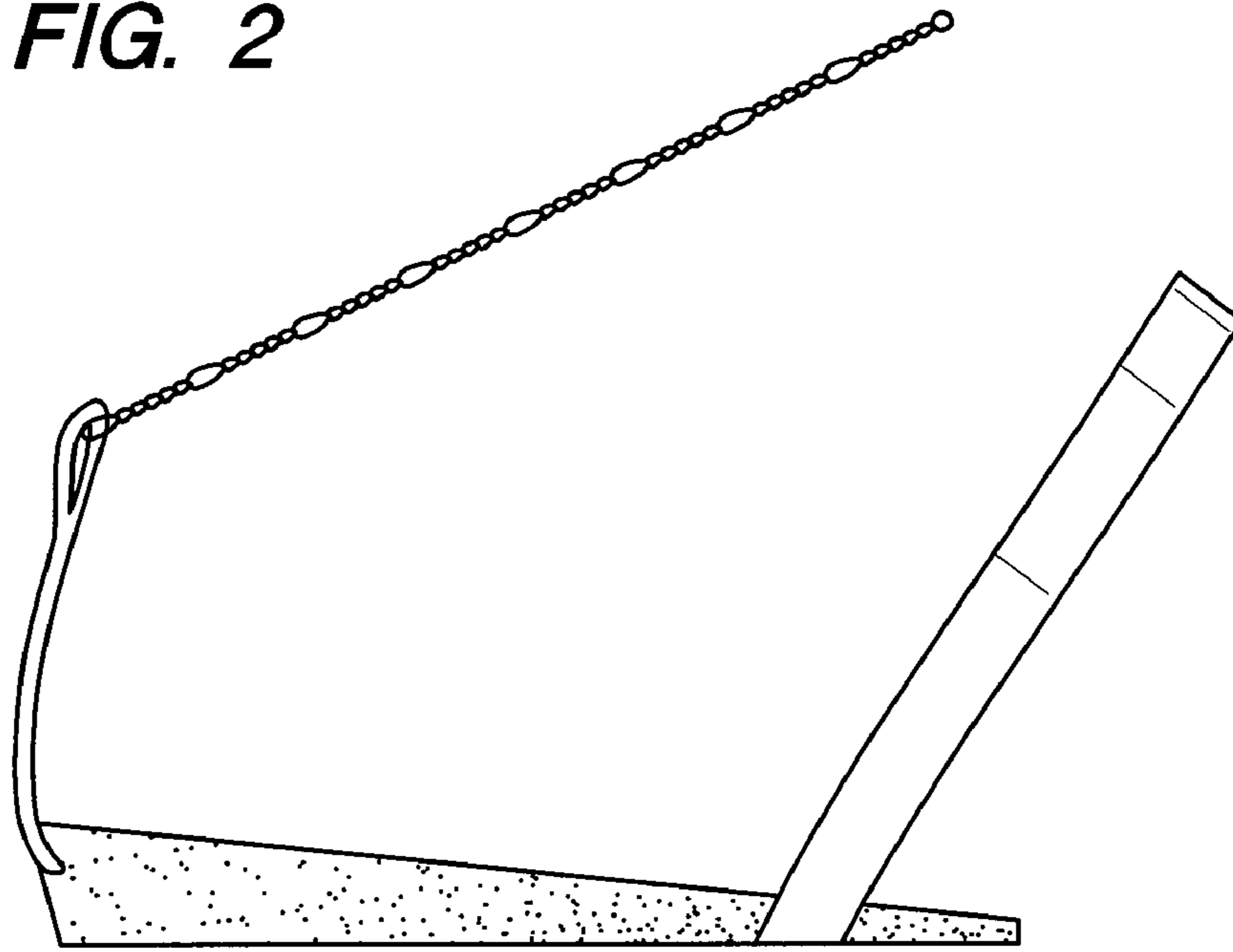
**1 Claim, 4 Drawing Sheets**



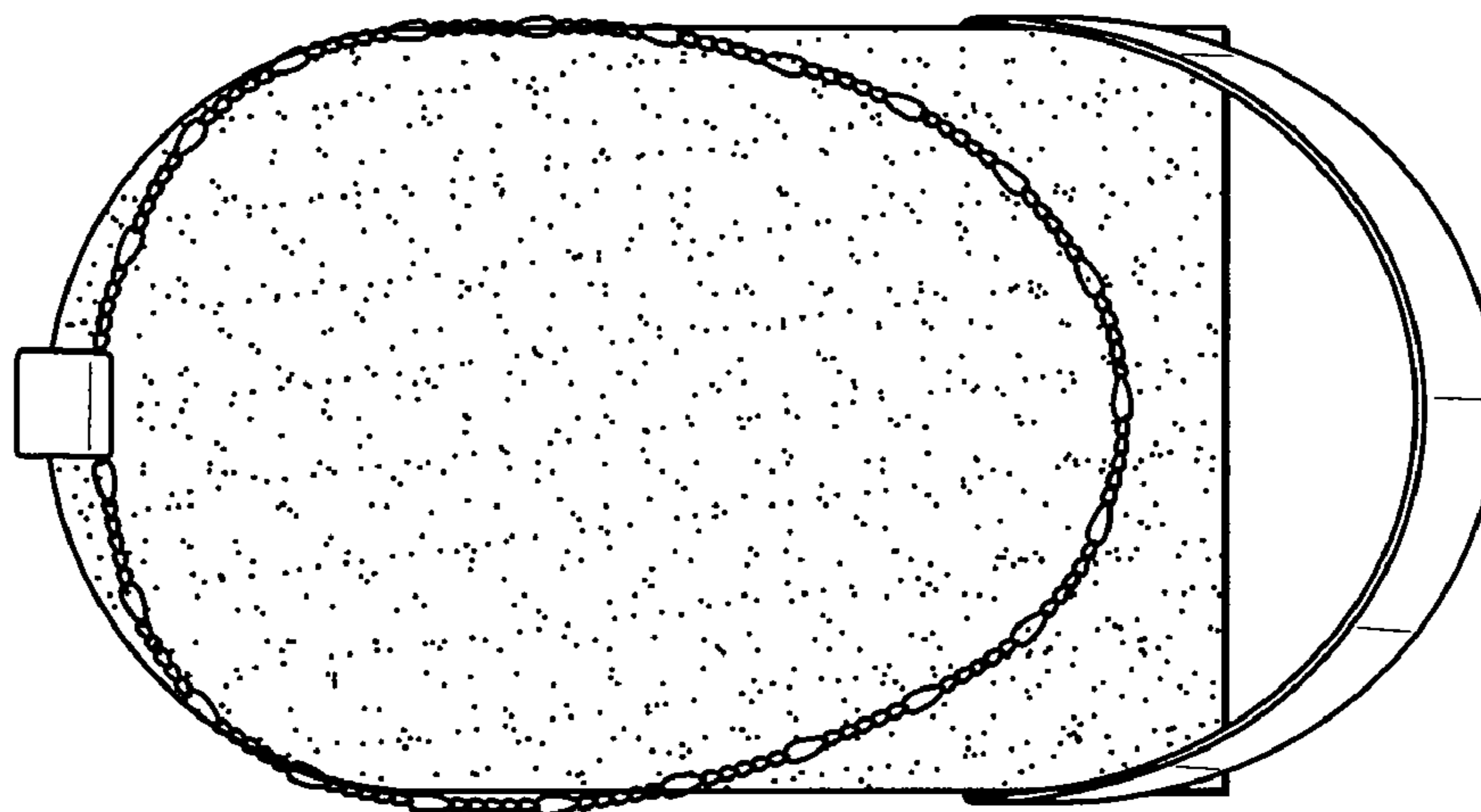
*FIG. 1*



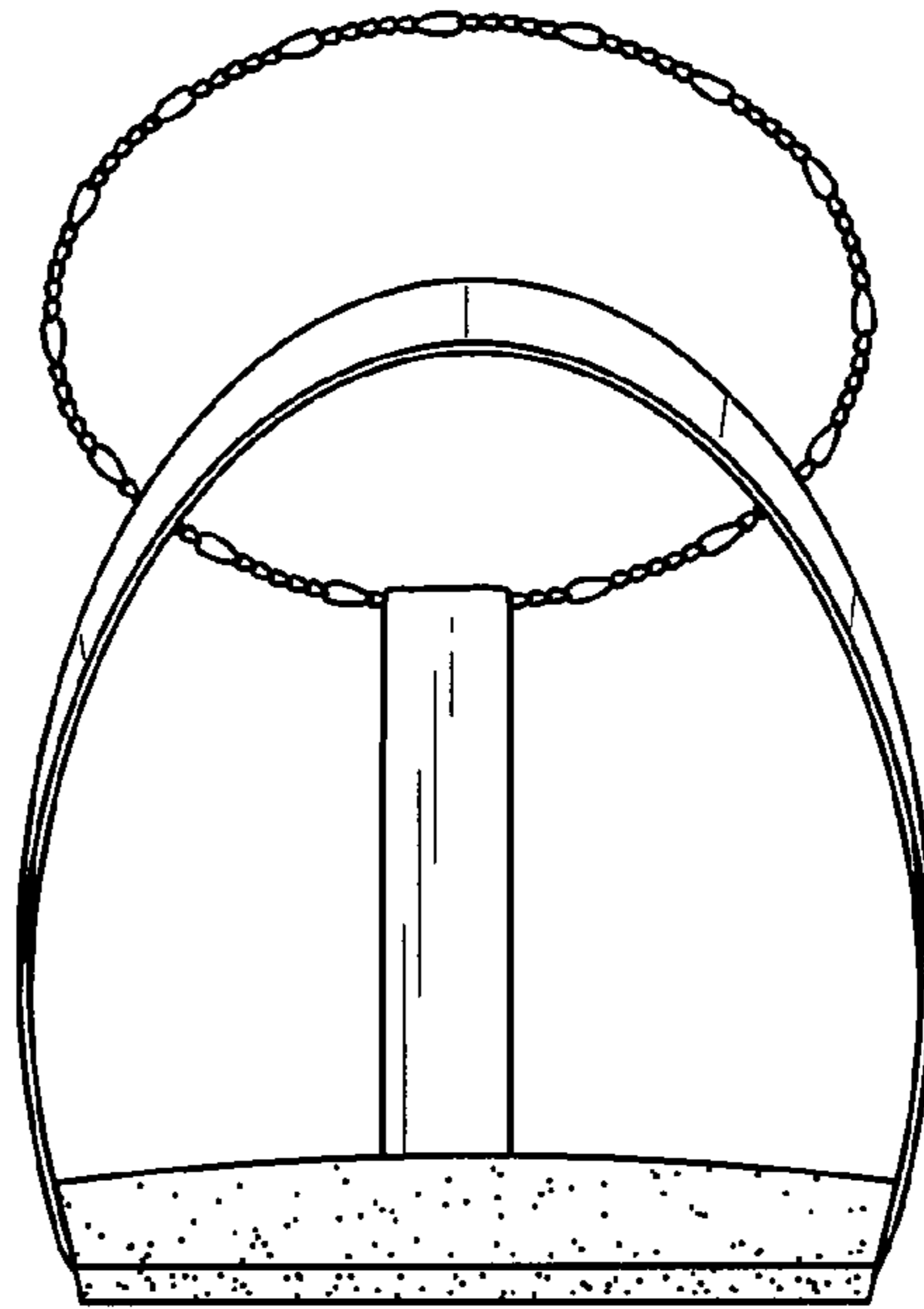
**FIG. 2**



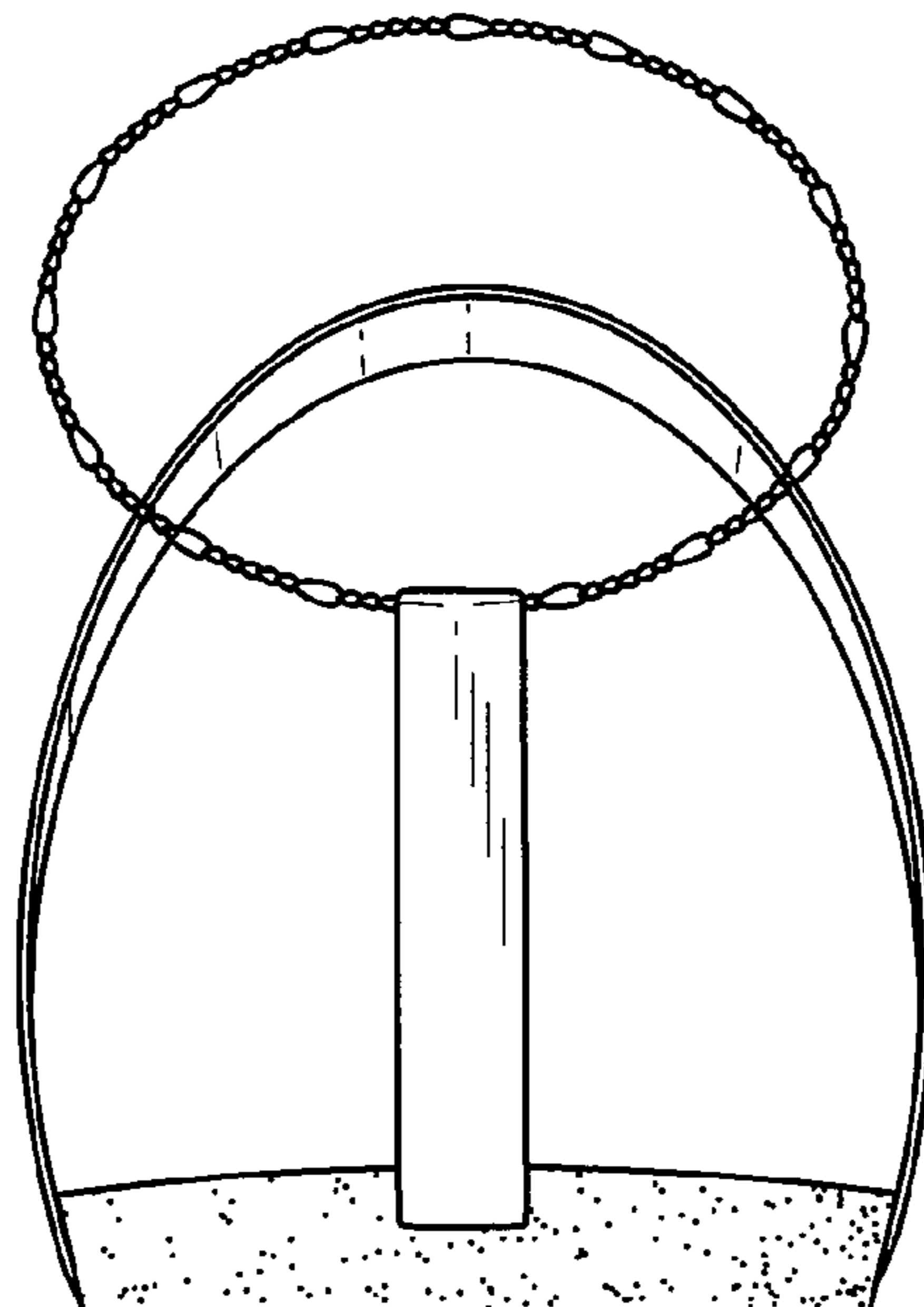
**FIG. 3**



**FIG. 4**



**FIG. 5**



**FIG. 6**

