



US00D598553S

(12) **United States Design Patent**
Potts et al.

(10) **Patent No.:** **US D598,553 S**

(45) **Date of Patent:** **** Aug. 18, 2009**

(54) **NEUROSTIMULATOR ASSEMBLY**

(75) Inventors: **Dennis Potts**, Scotts Valley, CA (US);
Dunagan Pearson, Mountain View, CA
(US); **Joseph Vandenburg**, Mountain
View, CA (US); **C. Lance Boling**, San
Jose, CA (US); **Paul Paspas**, Los Gatos,
CA (US)

(73) Assignee: **NeuroPace, Inc.**, Mountain View, CA
(US)

(**) Term: **14 Years**

(21) Appl. No.: **29/313,004**

(22) Filed: **Nov. 26, 2008**

(51) **LOC (9) Cl.** **24-01**

(52) **U.S. Cl.** **D24/187; D24/155**

(58) **Field of Classification Search** D24/155,
D24/156, 167, 187, 200, 231; 606/70-71,
606/166, 246-249, 258, 267, 280, 286, 283,
606/299, 396, 903, 905-906; 607/2; 623/17.11,
623/16.71

See application file for complete search history.

(56) **References Cited**

U.S. PATENT DOCUMENTS

D337,820	S	*	7/1993	Hooper et al.	D24/167
D338,731	S	*	8/1993	Byland et al.	D24/167
D473,307	S	*	4/2003	Cooke	D24/155
D478,990	S	*	8/2003	Kroll	D24/167
D504,514	S	*	4/2005	Spalding, Jr.	D24/156
D523,144	S	*	6/2006	Wenger et al.	D24/155
D559,987	S	*	1/2008	Strother et al.	D24/187
D585,551	S	*	1/2009	Blouin et al.	D24/155
D585,553	S	*	1/2009	Valois	D24/155
D586,918	S	*	2/2009	Simons	D24/155
2008/0208267	A1	*	8/2008	Alexander et al.	607/2

OTHER PUBLICATIONS

Carlson, K. (Aug. 25, 2008). "Better Control of Epilepsy is Under the Scalp," located at <<http://www.modbee.com/local/v-print/story405487.html>>, last visited on Aug. 25, 2008, four pages.

Furey, C. (Mar. 2008). "Alternative Treatment for Patients with Epilepsy Offered in Clinical Trial at Shands at UF," *Physicians Practice*, two pages.

Neuropace. (2008). "Company Overview: Responsive Neurostimulator for the Treatment of Epilepsy," located at <<http://www.neuropace.com/about/overview.html>>, last visited on Nov. 19, 2008, two pages.

Neuropace. (2008). "Product Overview: Responsive Neurostimulator for the Treatment of Epilepsy," located at <<http://www.neuropace.com/product/overview.html>> last visited on Nov. 19, 2008, two pages.

Stacey, W.C. et al. (2008, e-published Feb. 28, 2008). "Technology Insight: Neuroengineering and Epilepsy—Designing Devices for Seizure Control," *Nature Clinical Practice Neurology* pp. 1-12.

* cited by examiner

Primary Examiner—T. Chase Nelson
Assistant Examiner—Mark Cavanna

(57) **CLAIM**

The ornamental design for a neurostimulator assembly, as shown and described.

DESCRIPTION

FIG. 1 is a perspective view of a neurostimulator assembly showing our new design;

FIG. 2 is a top plan view thereof;

FIG. 3 is a bottom plan view thereof;

FIG. 4 is a right side elevational view thereof;

FIG. 5 is a left side elevational view thereof;

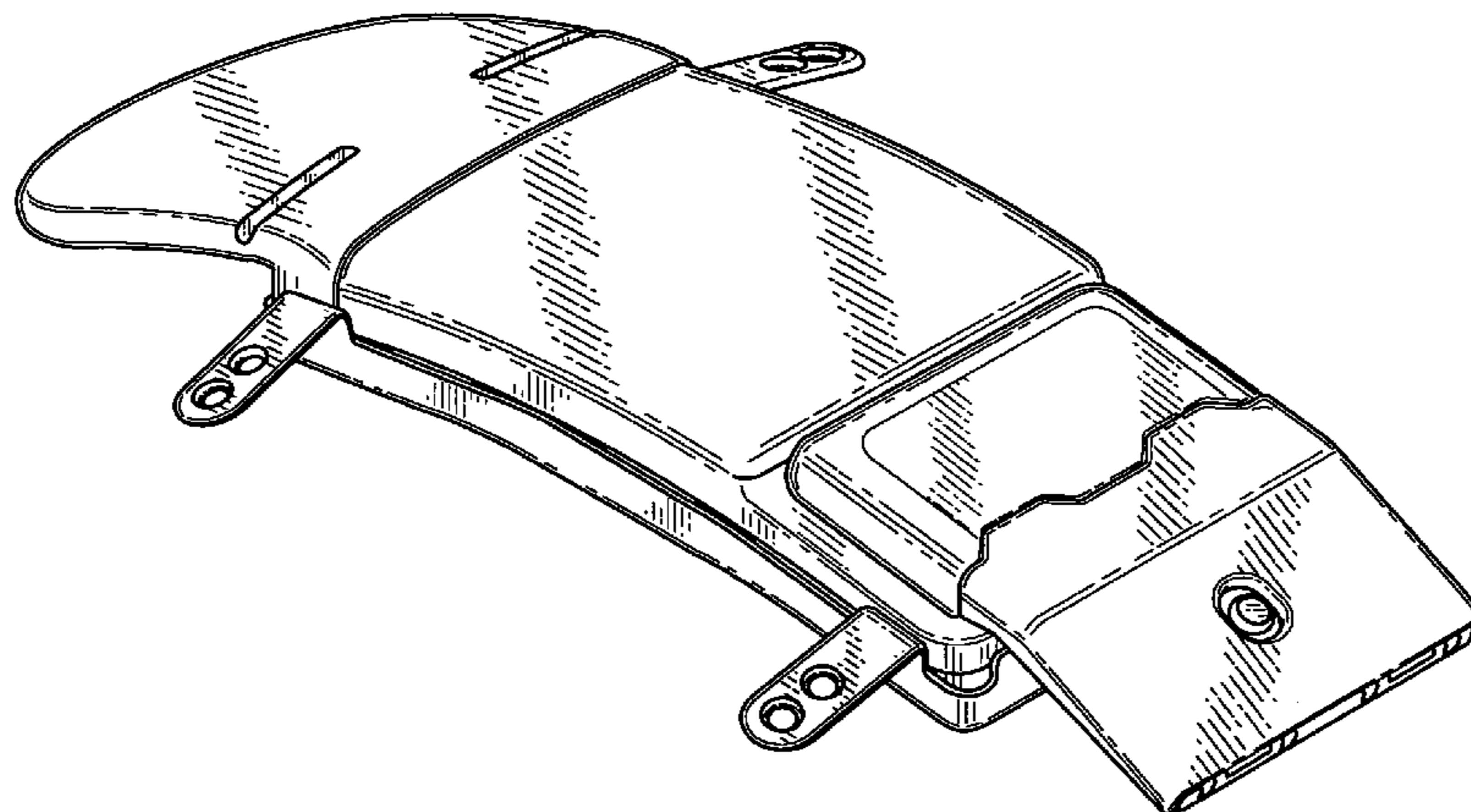
FIG. 6 is a rear elevational view thereof;

FIG. 7 is a front elevational view thereof; and,

FIG. 8 is an exploded perspective view thereof.

The claimed design is embodied in the collective appearance of the components of the neurostimulator assembly. The components of the neurostimulator assembly are shown separately in the exploded perspective view of FIG. 8, for clarity of illustration.

1 Claim, 6 Drawing Sheets



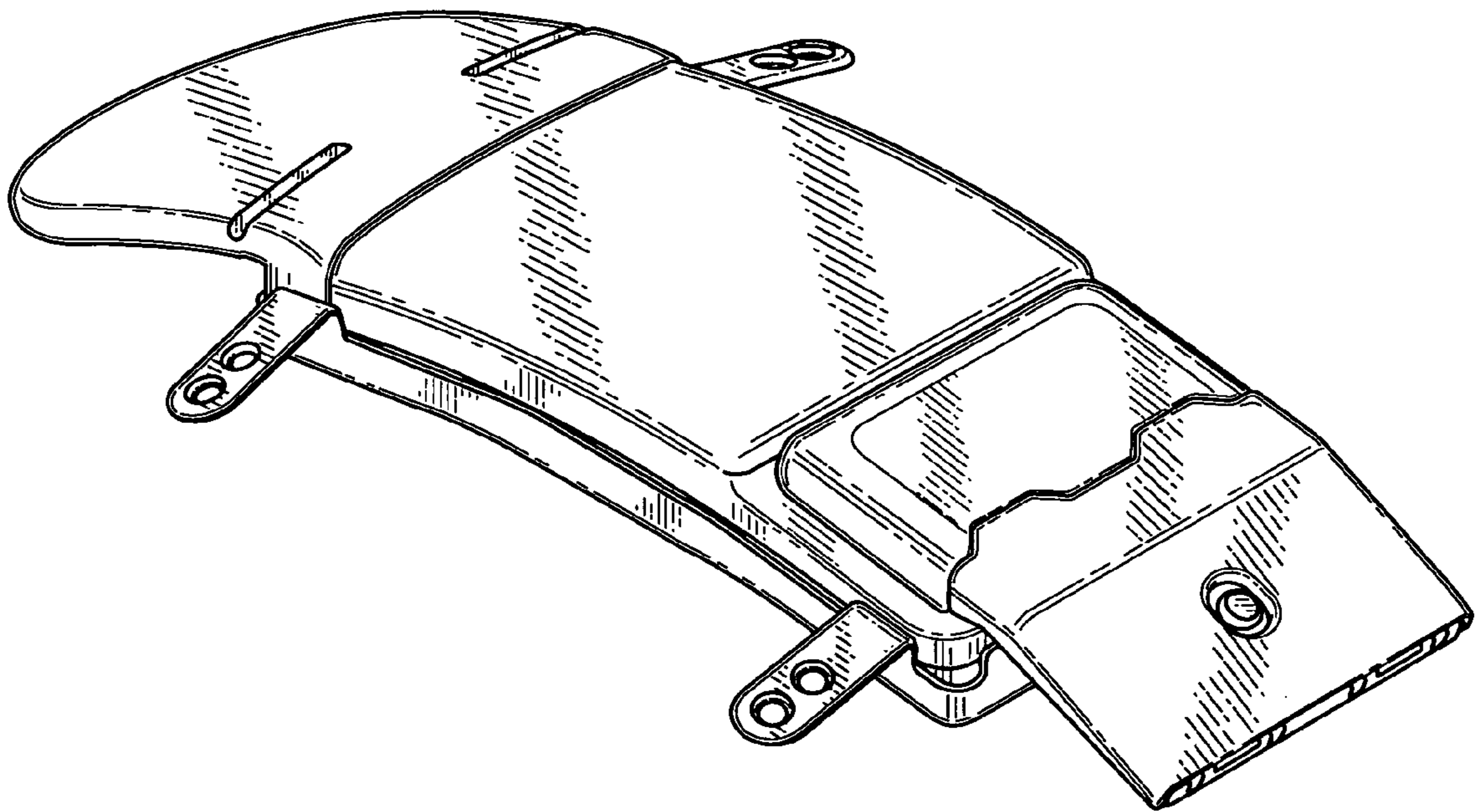


FIG. 1

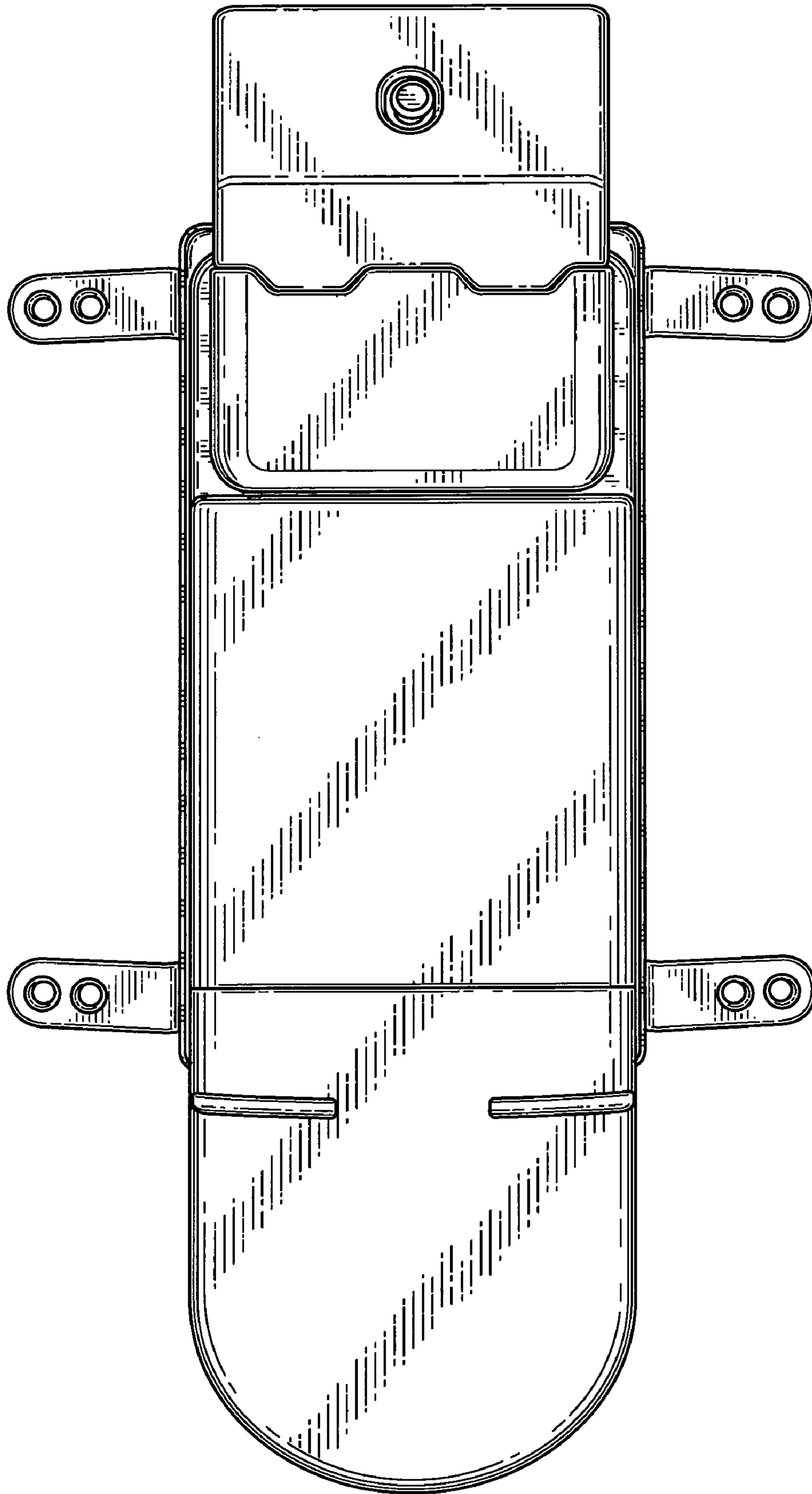


FIG. 2

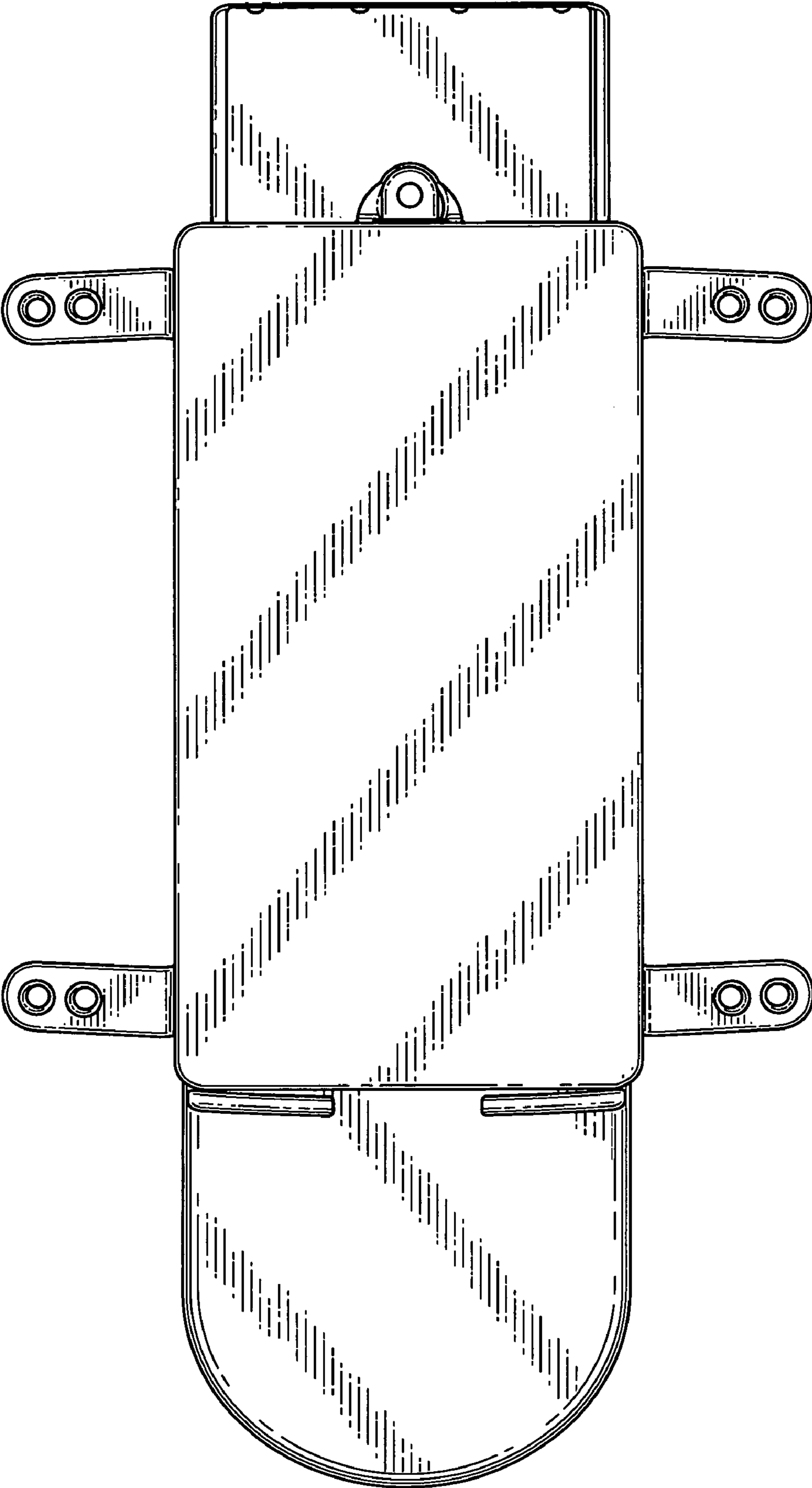


FIG. 3



FIG. 4



FIG. 5

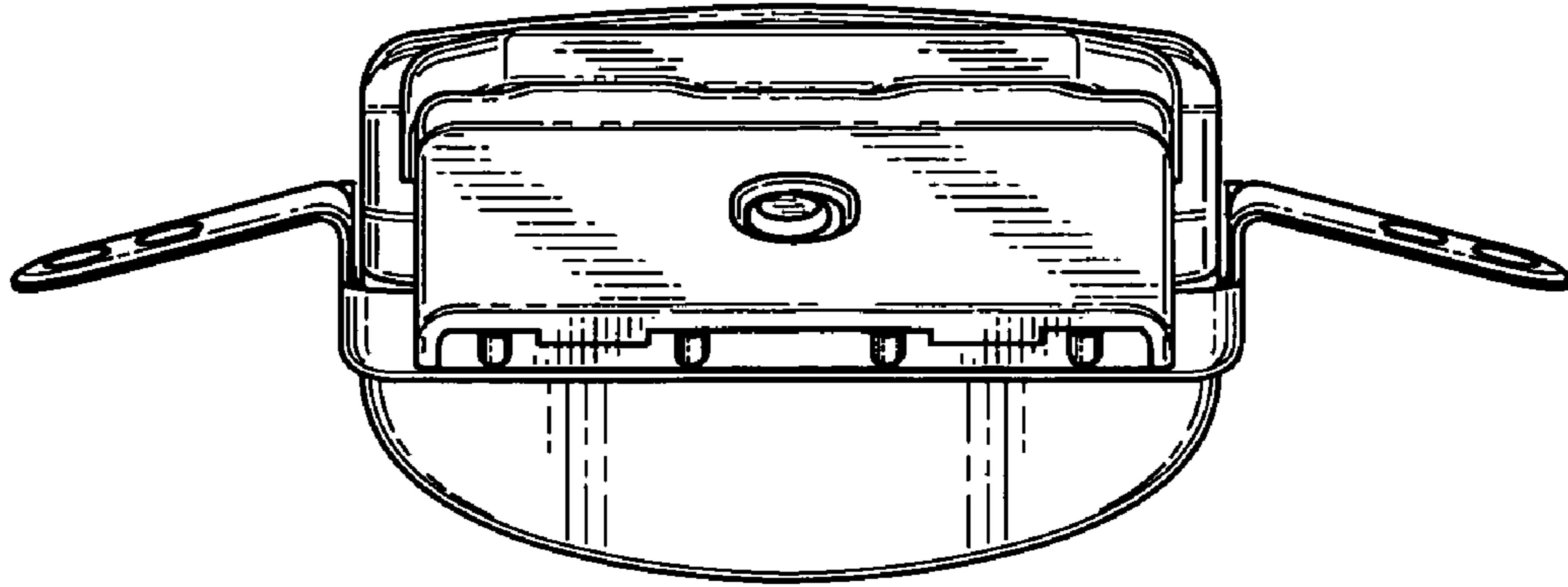


FIG. 6

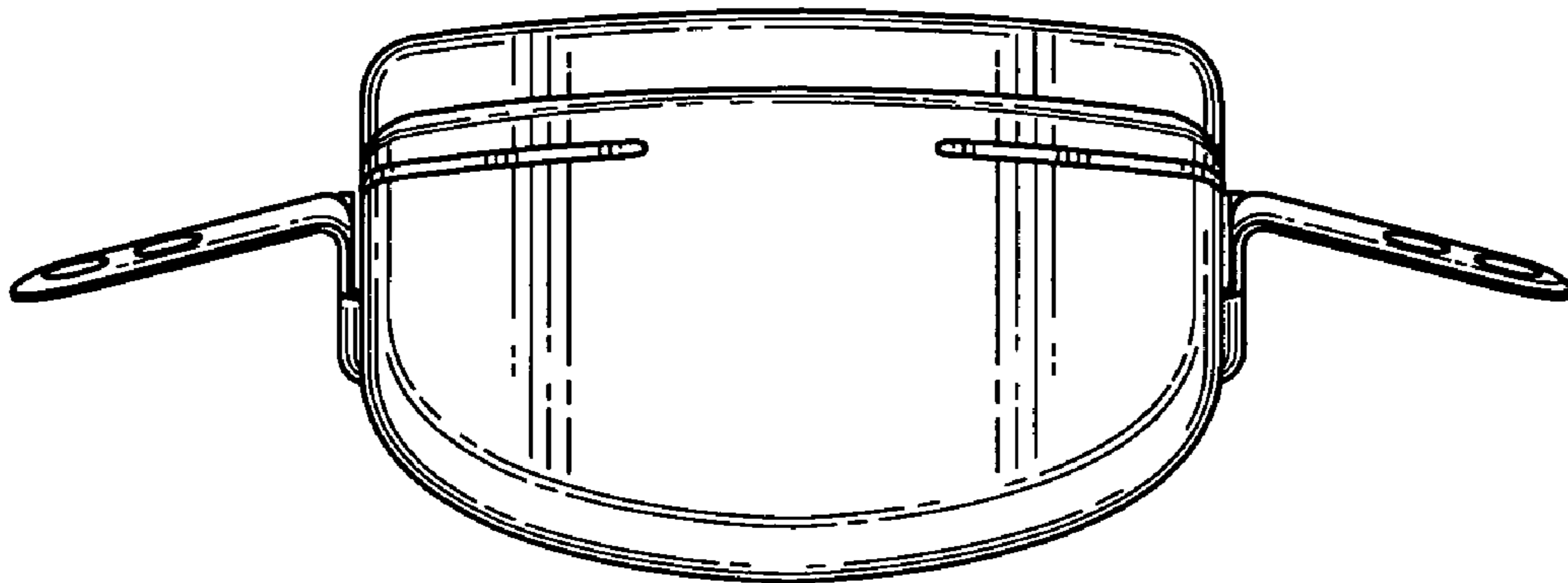


FIG. 7

FIG. 8

