



US00D598551S

(12) **United States Design Patent**
Miwa et al.

(10) **Patent No.:** **US D598,551 S**
(45) **Date of Patent:** **** Aug. 18, 2009**

(54) **VITAL SIGNS MONITOR**
(75) Inventors: **Yoshihisa Miwa**, Kusatsu (JP); **Hisashi Ito**, Kyoto (JP); **Ayumu Okada**, Aichi (JP); **Atsushi Yasuda**, Komaki (JP); **Tadashi Koike**, Kyoto (JP); **Yukiko Mitsunami**, Otsu (JP); **Takashi Shigeno**, Kawasaki (JP); **Kazuya Andachi**, Kawasaki (JP)

JP 972061 10/1996
JP 1043856 4/1999
JP 1073894 6/2000
JP 1107948 5/2001
JP 1127163 11/2001

(Continued)

(73) Assignee: **Omron Healthcare Co., Ltd.**, Kyoto (JP)

(**) Term: **14 Years**

(21) Appl. No.: **29/279,953**

(22) Filed: **May 11, 2007**

(30) **Foreign Application Priority Data**
Nov. 14, 2006 (JP) D2006-031245

(51) **LOC (9) Cl.** **24-01**
(52) **U.S. Cl.** **D24/186**
(58) **Field of Classification Search** D24/107,
D24/111, 144, 164-165, 168-169, 185-187;
600/301, 481, 483-485, 509, 513, 519, 544;
D10/81

See application file for complete search history.

(56) **References Cited**

U.S. PATENT DOCUMENTS

D303,255 S 9/1989 Bratasevee
D310,120 S * 8/1990 Wickham et al. D24/186
D328,645 S 8/1992 Rogler et al.
D381,749 S * 7/1997 Lawrence et al. D24/169
D383,688 S 9/1997 Abrams

(Continued)

FOREIGN PATENT DOCUMENTS

JP 879417 7/1993
JP 911789 8/1994

OTHER PUBLICATIONS

Koninklijke Philips Electronics N.V. Brochure, Koninklijke Philips Electronics N.V. Vital signs monitor "Sure Signs VS3", published 2006.

Primary Examiner—T. Chase Nelson

Assistant Examiner—Mark Cavanna

(74) *Attorney, Agent, or Firm*—Harness, Dickey & Pierce, P.L.C.

(57) **CLAIM**

The ornamental design for a vital signs monitor, as shown.

DESCRIPTION

FIG. 1 is a front perspective view of a vital signs monitor showing our new design;

FIG. 2 is a rear perspective view thereof;

FIG. 3 is a bottom perspective view thereof;

FIG. 4 is a front elevational view thereof;

FIG. 5 is a rear elevational view thereof;

FIG. 6 is a top plan view thereof;

FIG. 7 is a bottom plan view thereof;

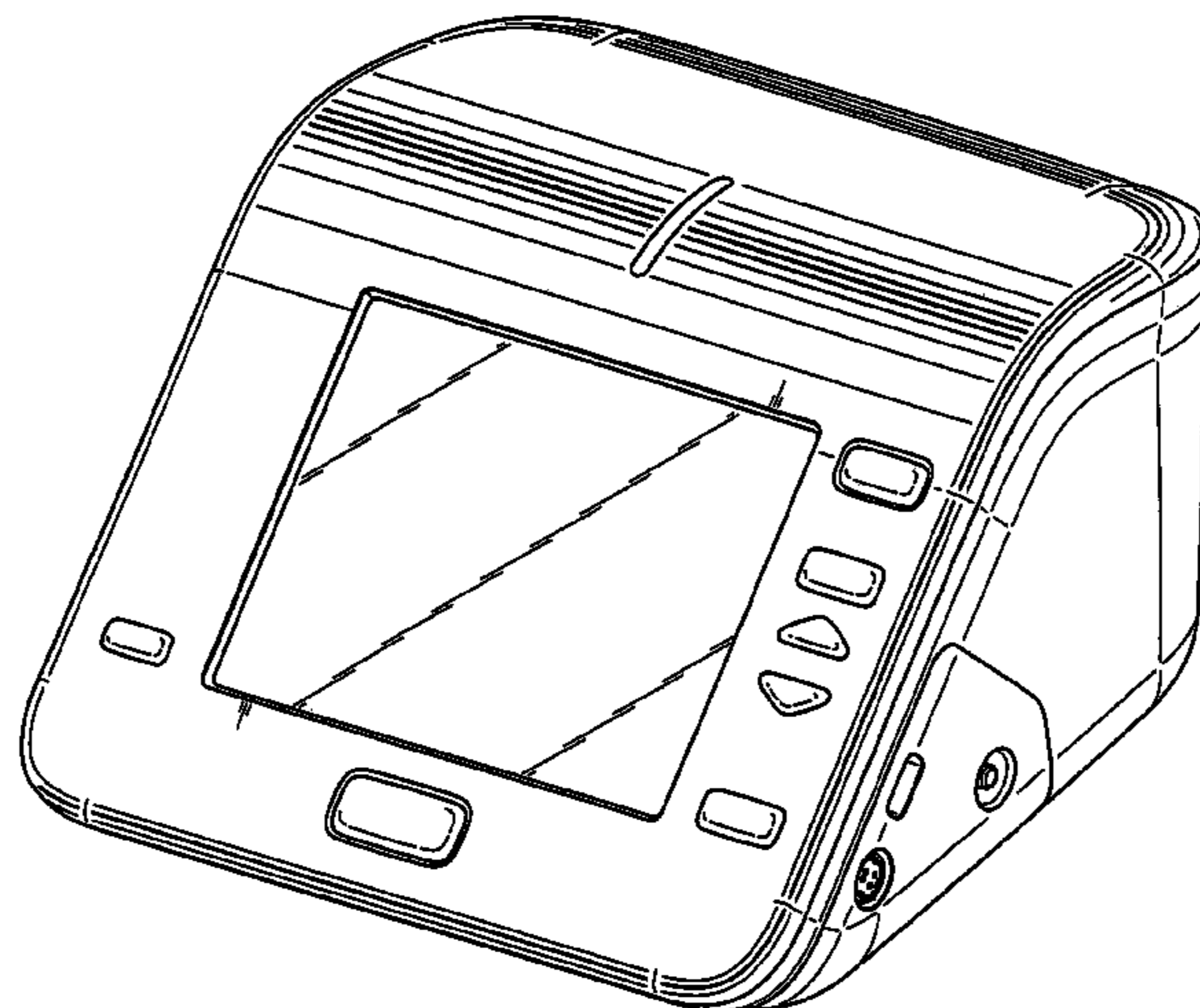
FIG. 8 is a right side elevational view thereof;

FIG. 9 is a left side elevational view thereof; and,

FIG. 10 is a top plan view according to reference arrow 10 of FIG. 8 thereof.

The broken lines shown on the left side of the vital signs monitor shown in FIGS. 9, 5 and 7, are included for the purpose of illustrating a portion of the vital signs monitor that forms no part of the claimed design.

1 Claim, 8 Drawing Sheets



US D598,551 S

Page 2

U.S. PATENT DOCUMENTS

D393,072 S 3/1998 Rogler
D395,513 S 6/1998 Rogler
D398,293 S 9/1998 Lindblom
D400,249 S * 10/1998 Holubar et al. D24/107
D427,315 S * 6/2000 Saltzstein et al. D24/186
D445,189 S 7/2001 Cannon et al.
D446,306 S * 8/2001 Ochi et al. D24/165
D454,954 S 3/2002 Cannon et al.
D475,137 S 5/2003 Manke et al.
D489,722 S * 5/2004 Matuschek D24/186
D489,816 S * 5/2004 Ross D24/107
D490,516 S * 5/2004 Takahashi et al. D24/107
D491,270 S 6/2004 Barler
D508,565 S * 8/2005 Nephin et al. D24/186

D534,654 S * 1/2007 Hayamizu D24/144
D535,031 S * 1/2007 Barrett et al. D24/186
D536,795 S 2/2007 Knieriem et al.
D548,841 S * 8/2007 Brownell et al. D24/186
D573,051 S * 7/2008 Alden et al. D10/81

FOREIGN PATENT DOCUMENTS

JP 1188486 10/2003
JP 1191526 12/2003
JP 1202502 4/2004
JP 1216915 9/2004
JP 1240490 5/2005
JP 1240491 5/2005
JP 1255996 11/2005

* cited by examiner

Fig. 1

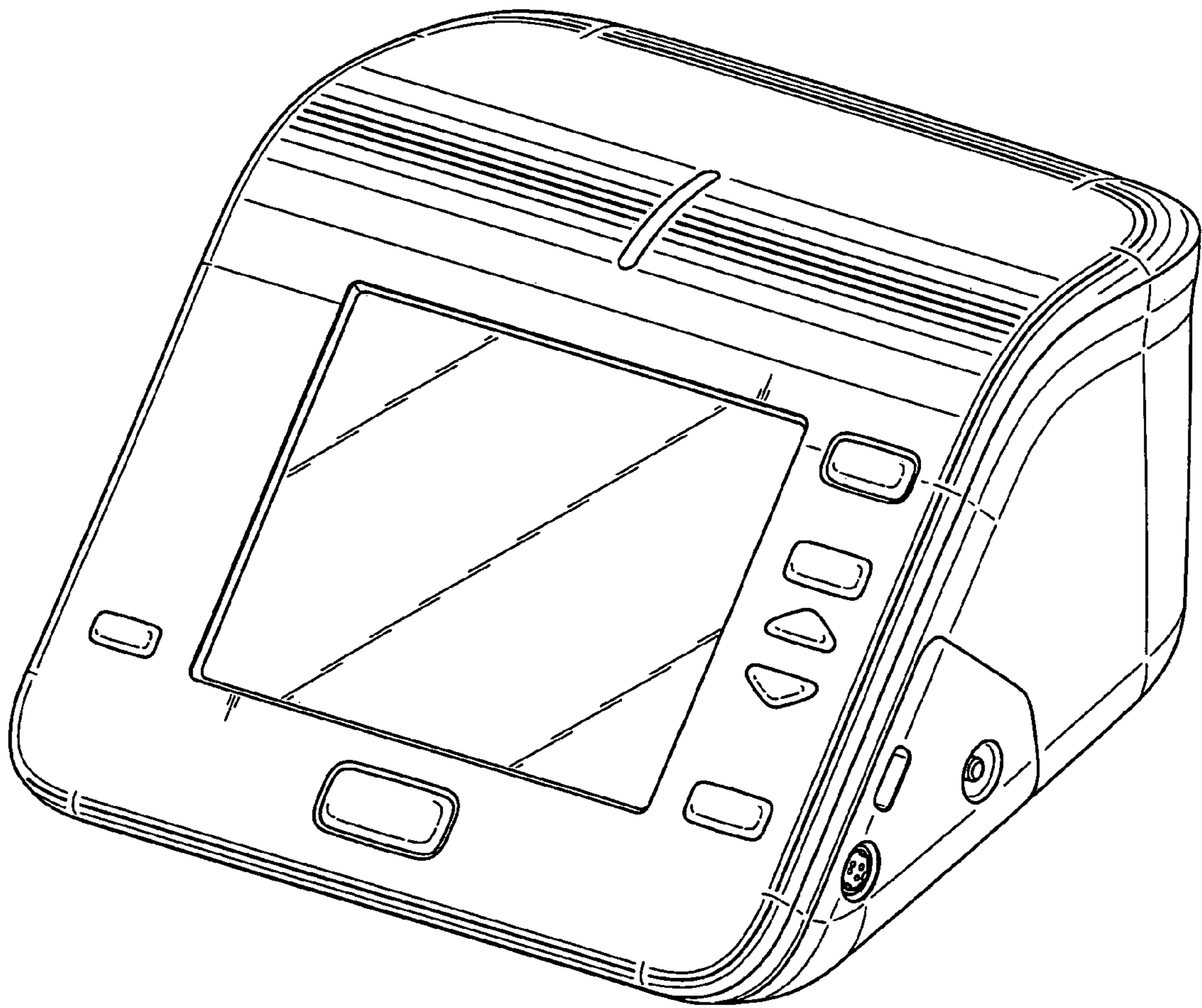


Fig. 2

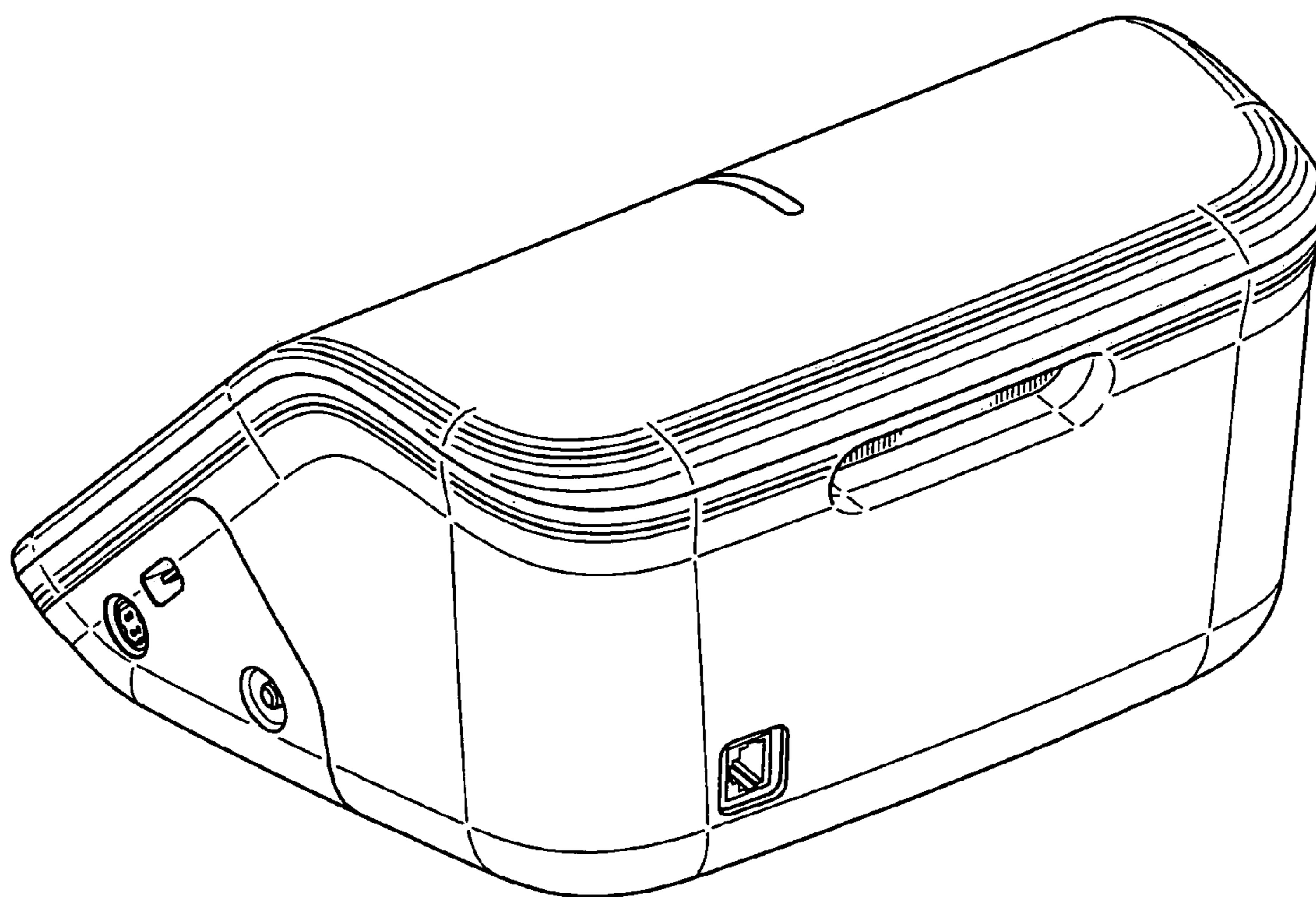


Fig. 3

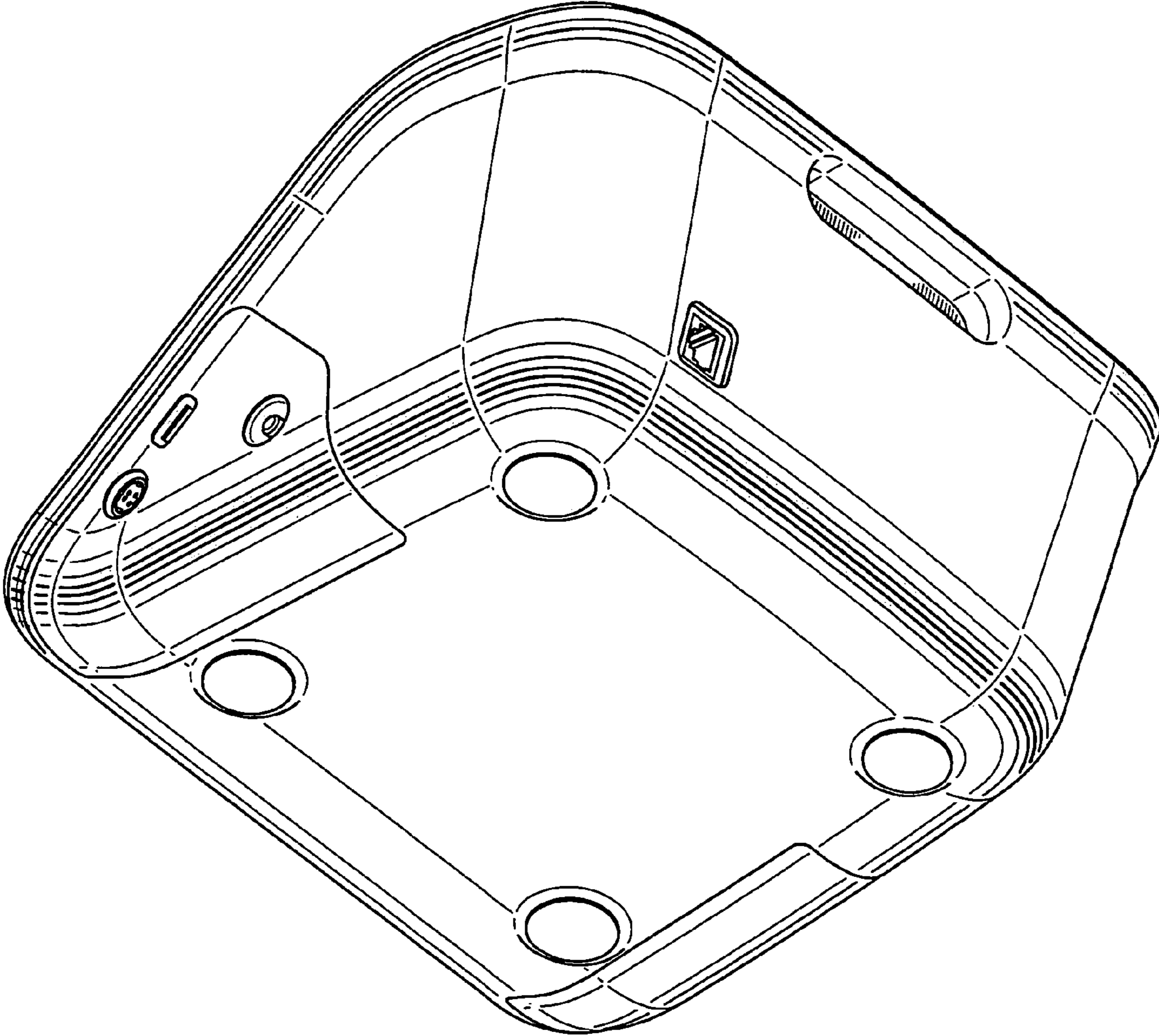


Fig. 4

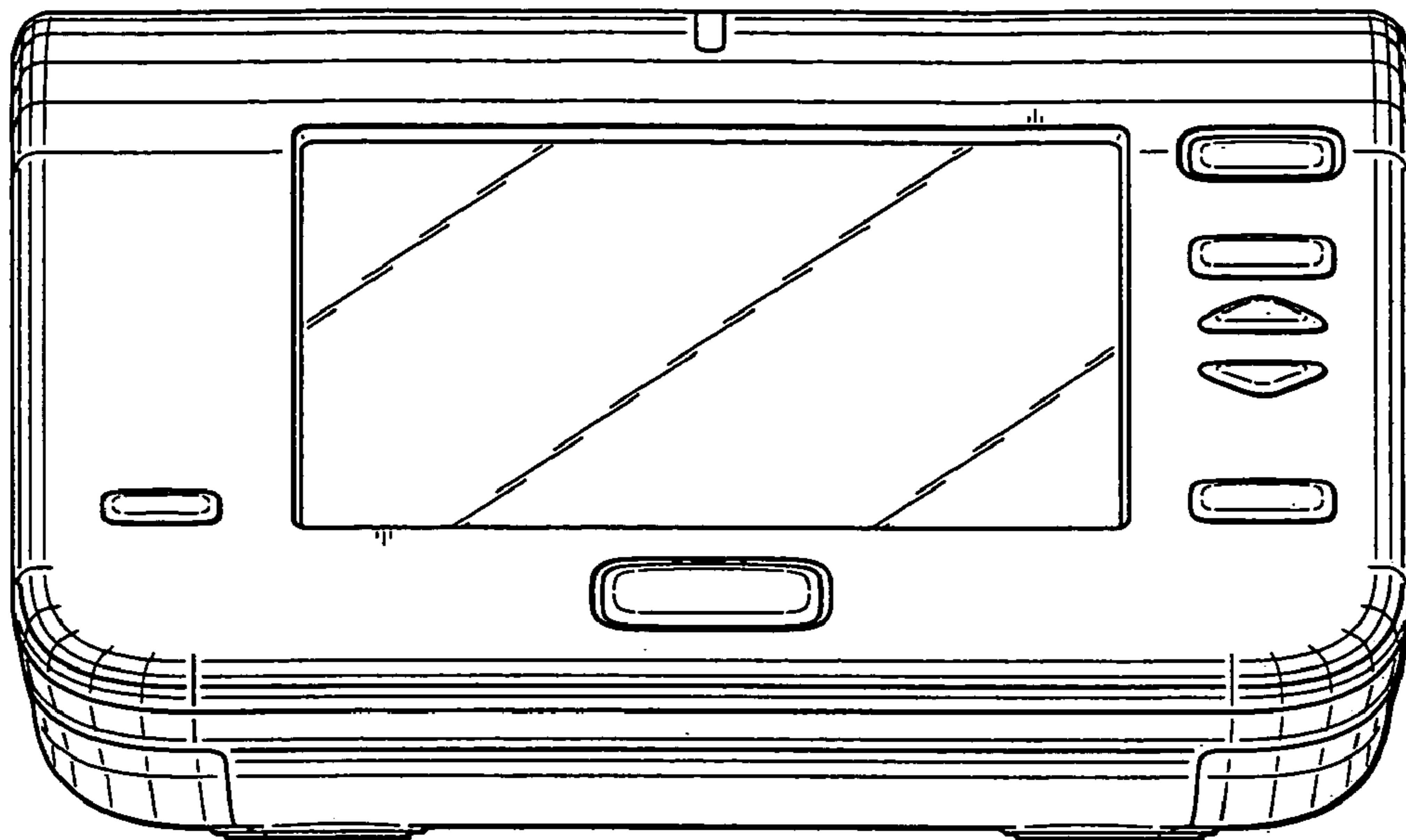


Fig. 5

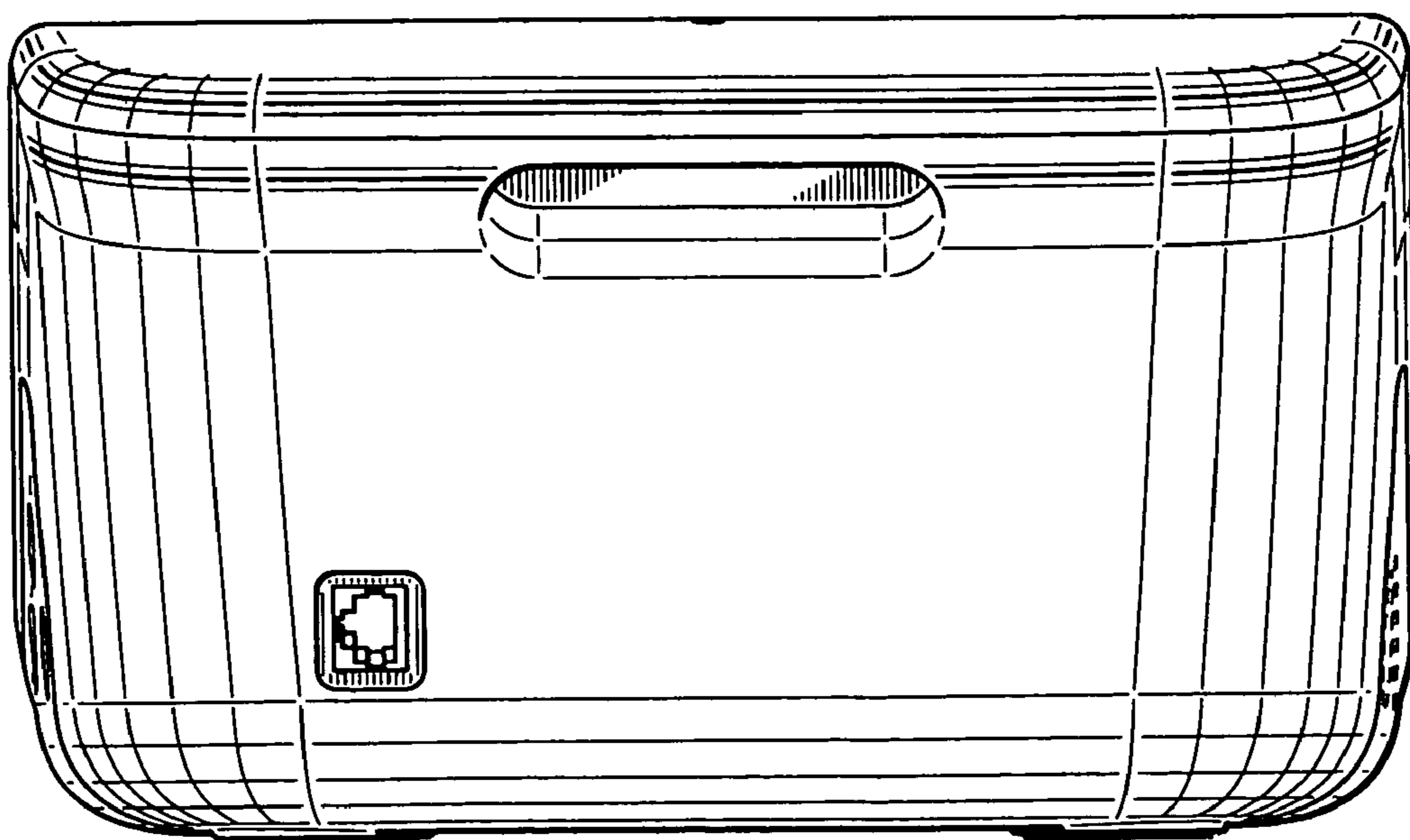


Fig. 6

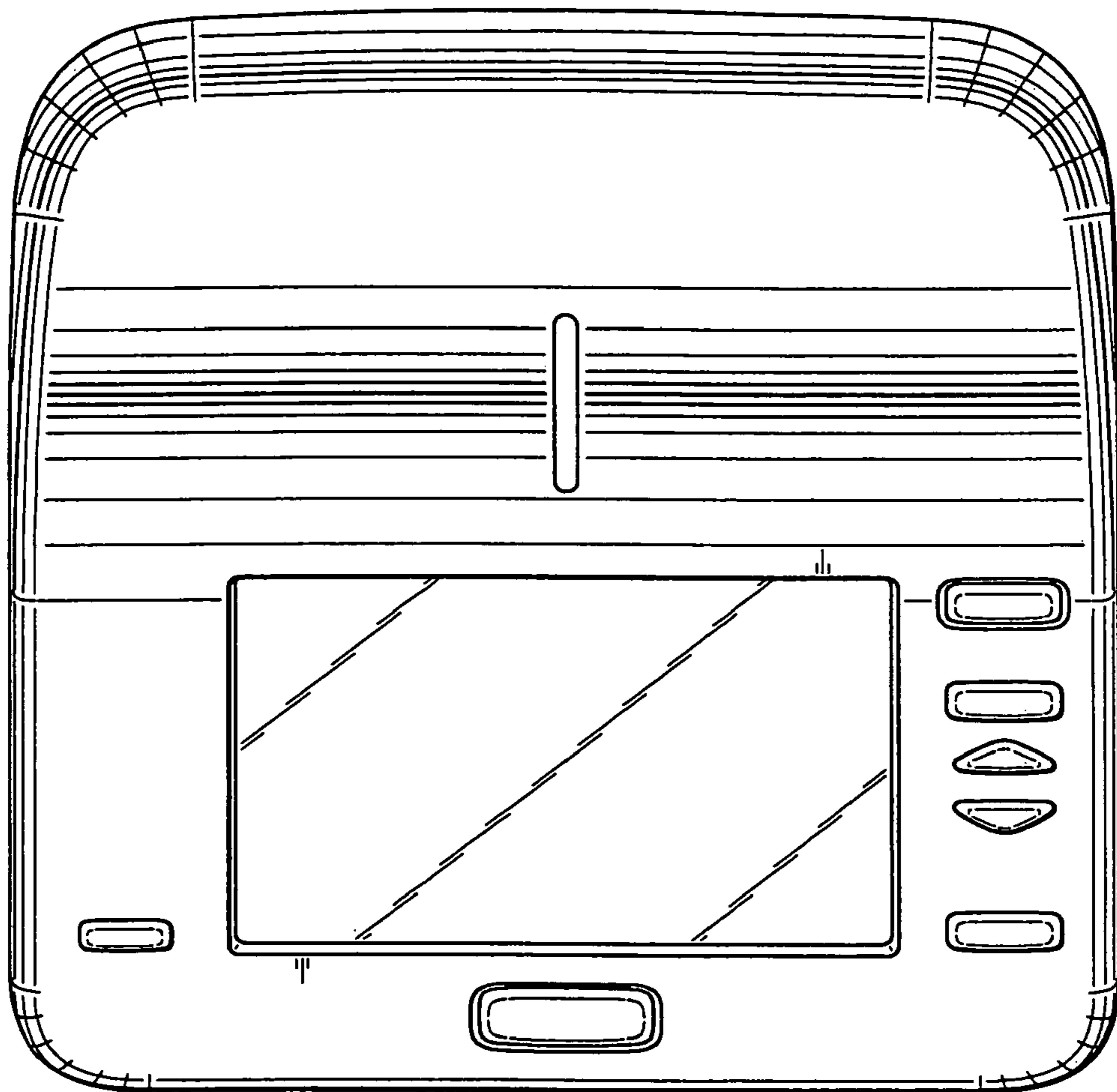


Fig. 7

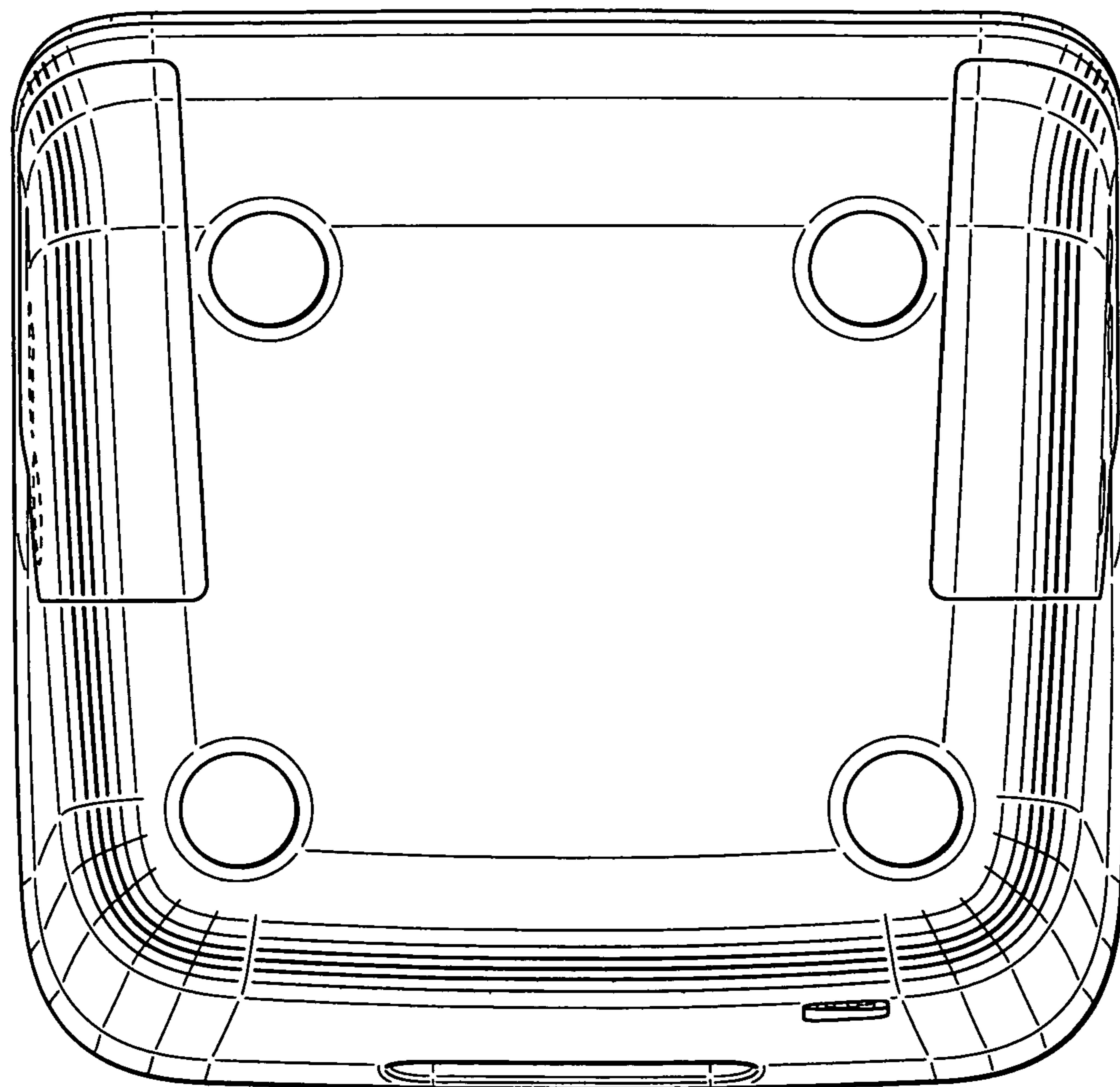


Fig. 8

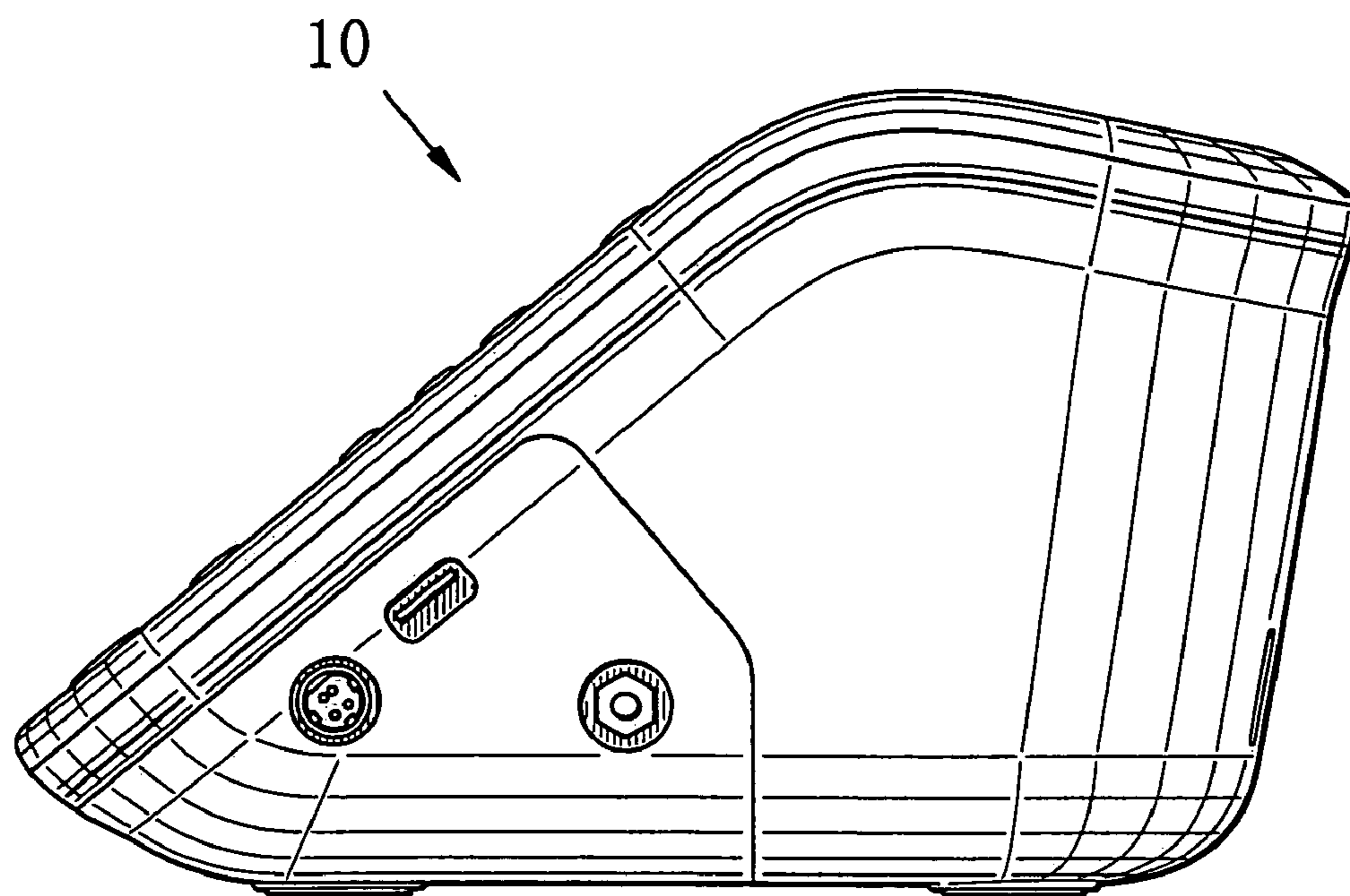


Fig. 9

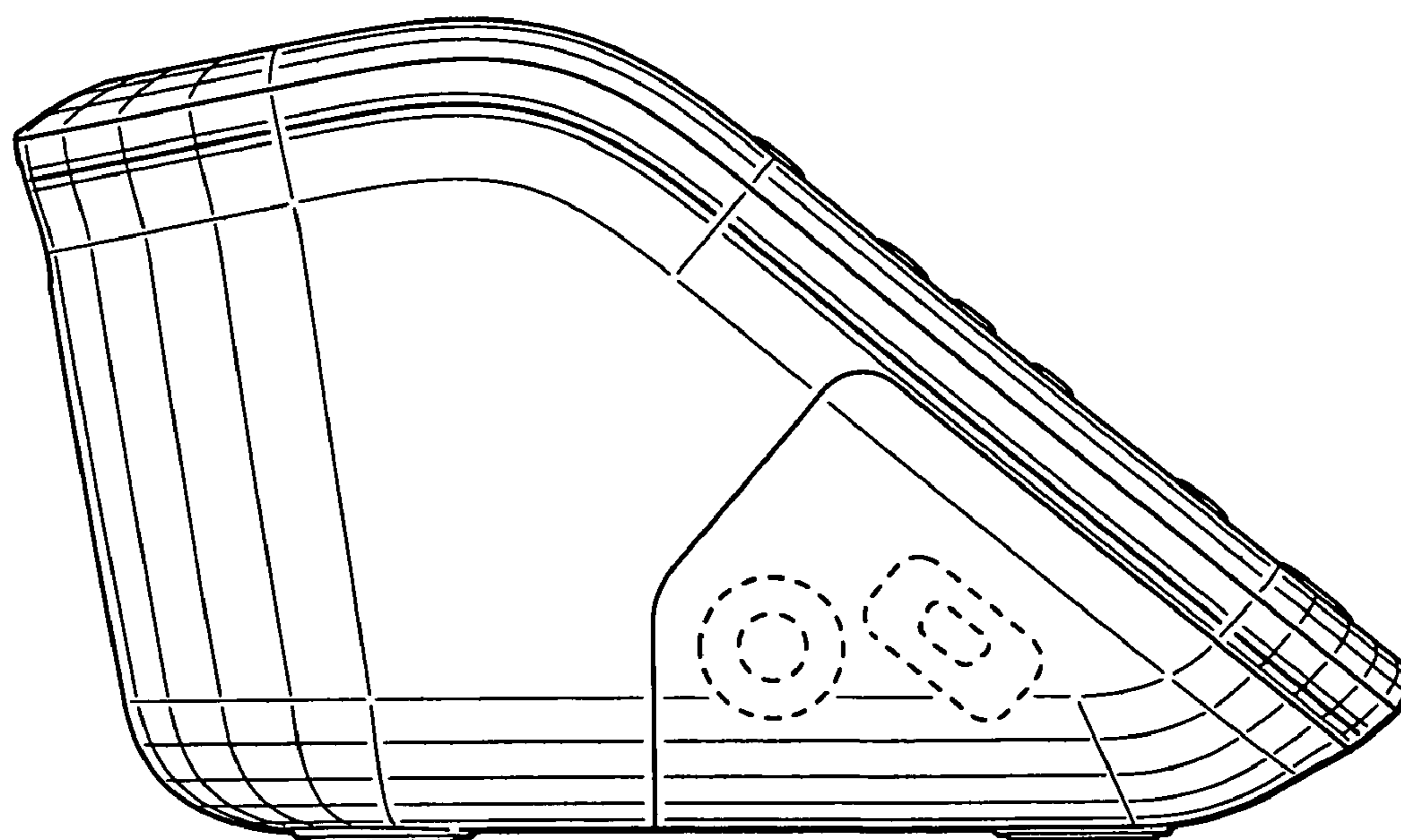


Fig. 10

