



US00D598550S

(12) **United States Design Patent**  
**DeGross**

(10) **Patent No.:** **US D598,550 S**

(45) **Date of Patent:** **\*\* Aug. 18, 2009**

(54) **X-RAY SHIELD**

(75) Inventor: **Joseph P. DeGross**, Spring Valley, WI (US)

(73) Assignee: **Mark L. Anderson**, Spring Valley, WI (US)

(\*\*) Term: **14 Years**

(21) Appl. No.: **29/313,170**

(22) Filed: **Dec. 12, 2008**

(51) **LOC (9) Cl.** ..... **24-01**

(52) **U.S. Cl.** ..... **D24/158**

(58) **Field of Classification Search** ..... D24/158-161,  
D24/186, 231, 232; D29/100; 378/195-197,  
378/203, 204, 208, 209; 250/515.1, 517.1;  
976/327

See application file for complete search history.

(56) **References Cited**

**U.S. PATENT DOCUMENTS**

D238,615 S *	1/1976	Maler .....	D24/158
D249,278 S *	9/1978	Milligan .....	D24/158
D259,139 S *	5/1981	Johnson .....	D24/158
D300,945 S *	5/1989	Fleming et al. ....	D24/158
D332,497 S *	1/1993	Shufelt .....	D24/232
D349,577 S *	8/1994	Sayles .....	D29/100
D355,036 S *	1/1995	Shufelt .....	D24/232
D462,873 S *	9/2002	Miljkovic .....	D24/158

\* cited by examiner

*Primary Examiner*—T. Chase Nelson

*Assistant Examiner*—Anhdao Doan

(74) *Attorney, Agent, or Firm*—Skinner and Associates

(57) **CLAIM**

The ornamental design for an x-ray shield, as shown and described.

**DESCRIPTION**

The design is for a portable x-ray shield with foldable legs. During transport or storage, the legs are folded under the shield. For use, the legs are folded out from under the shield. The shield is typically placed behind a person, animal or other object being x-rayed.

FIG. 1 is a perspective view of an x-ray shield showing an embodiment of the design of this invention, with legs deployed.

FIG. 2 is a front view thereof, the back view being symmetrical.

FIG. 3 is a top view thereof.

FIG. 4 is a bottom view thereof.

FIG. 5 is an end view thereof.

FIG. 6 is an opposite end view thereof.

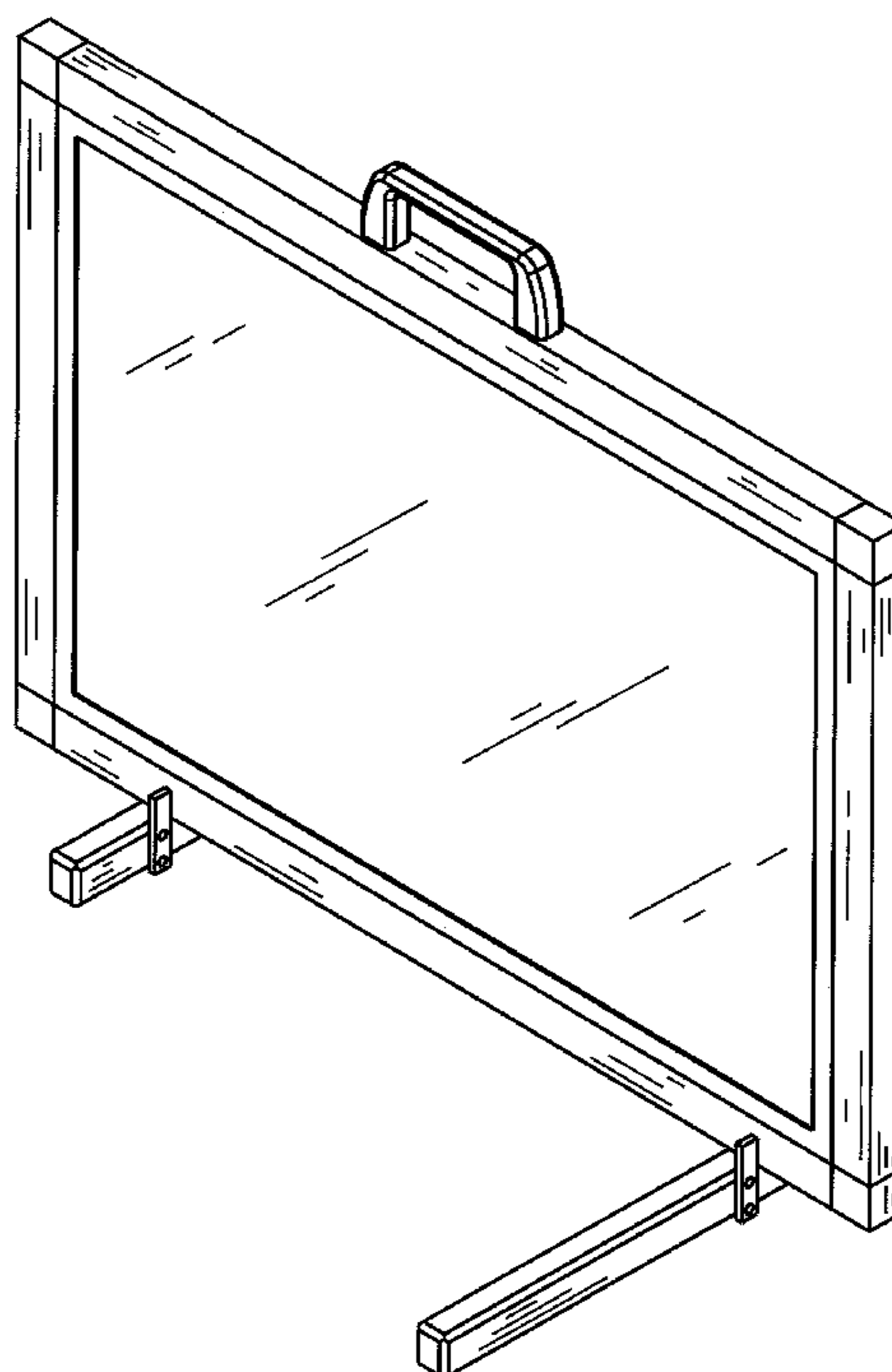
FIG. 7 is a front view of the x-ray shield with legs folded, the back view being symmetrical.

FIG. 8 is an end view thereof, the opposite end being symmetrical.

FIG. 9 is a top view thereof; and,

FIG. 10 is a bottom view thereof.

**1 Claim, 9 Drawing Sheets**



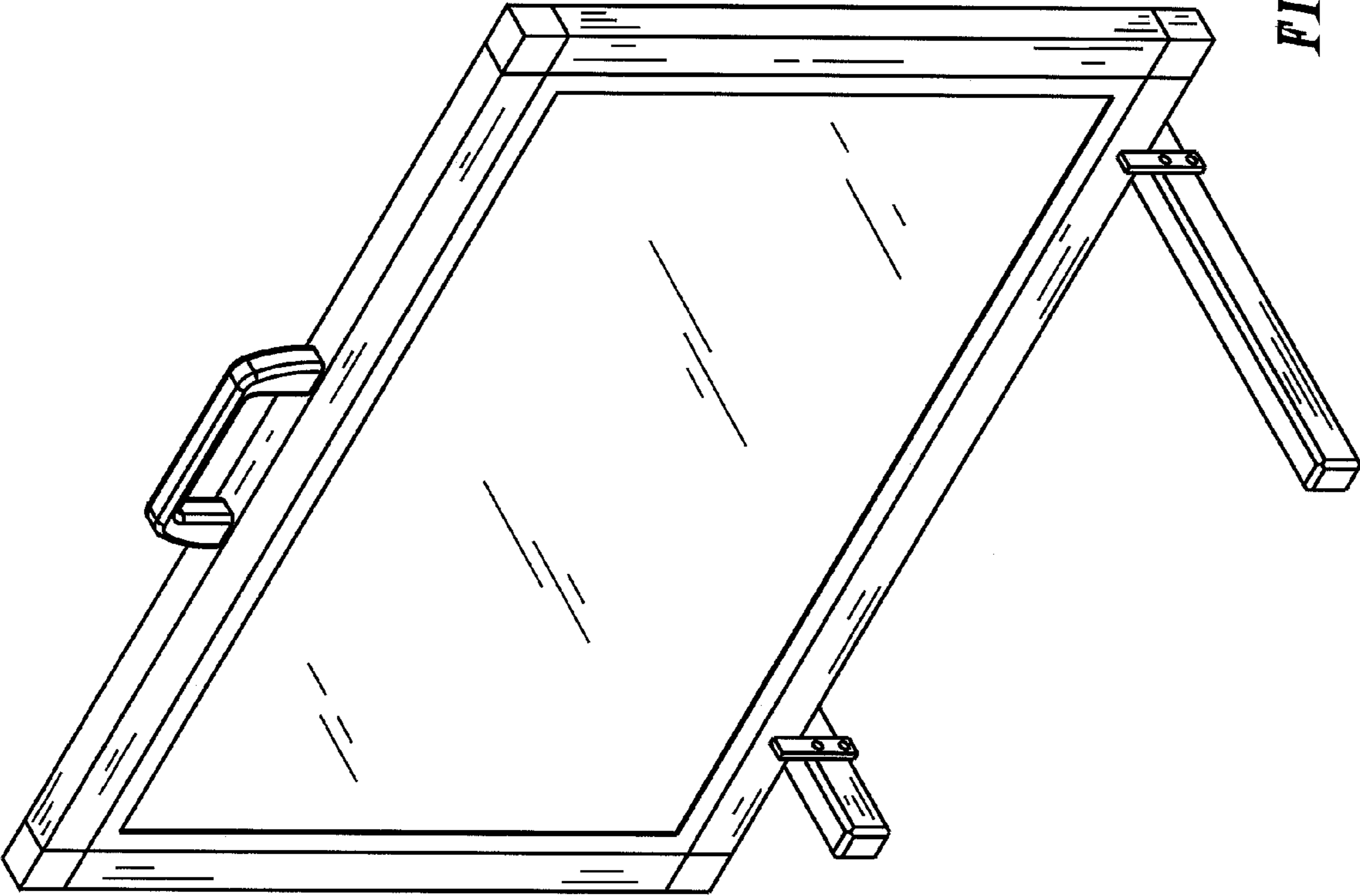


FIG. 1

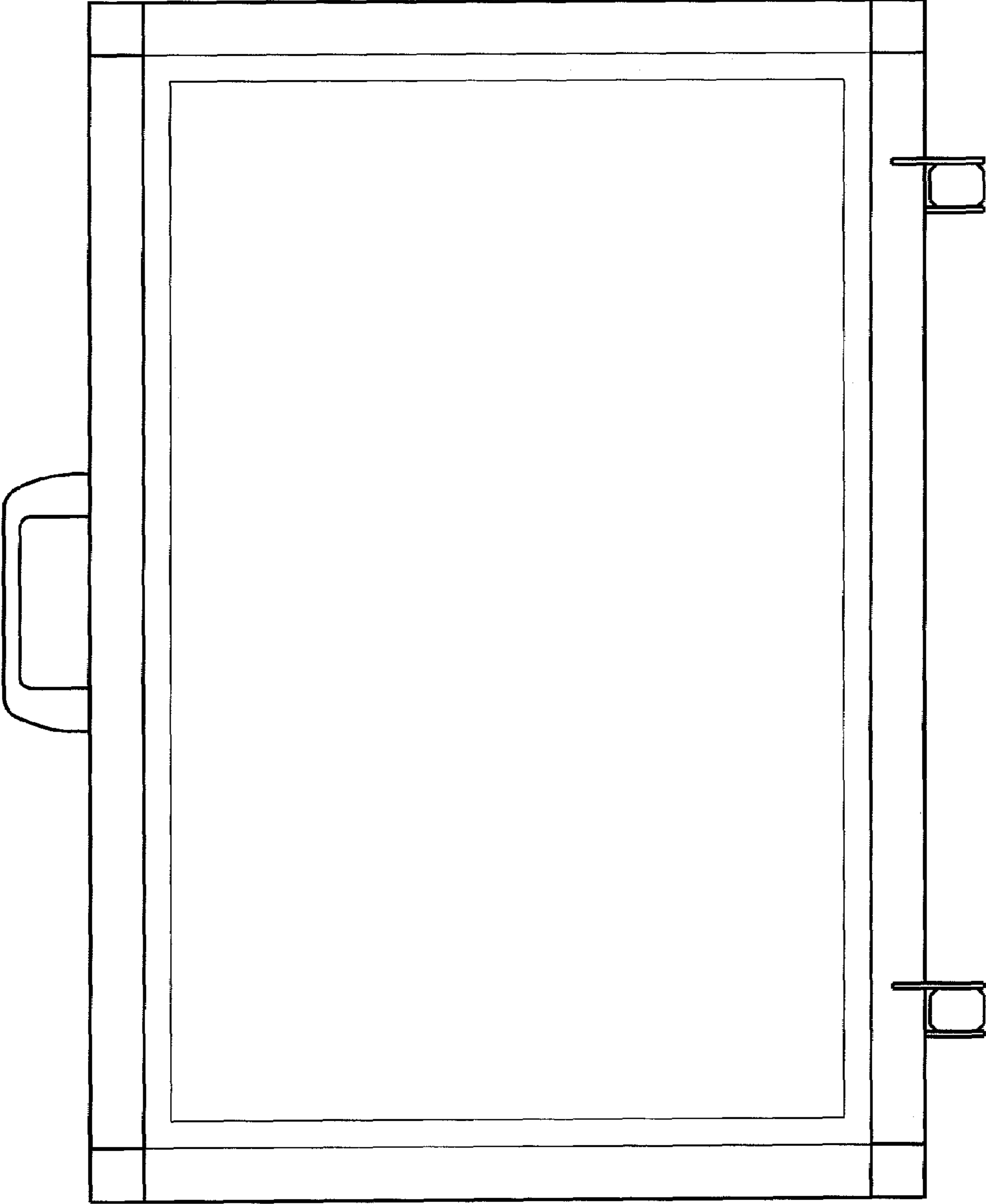


FIG. 2

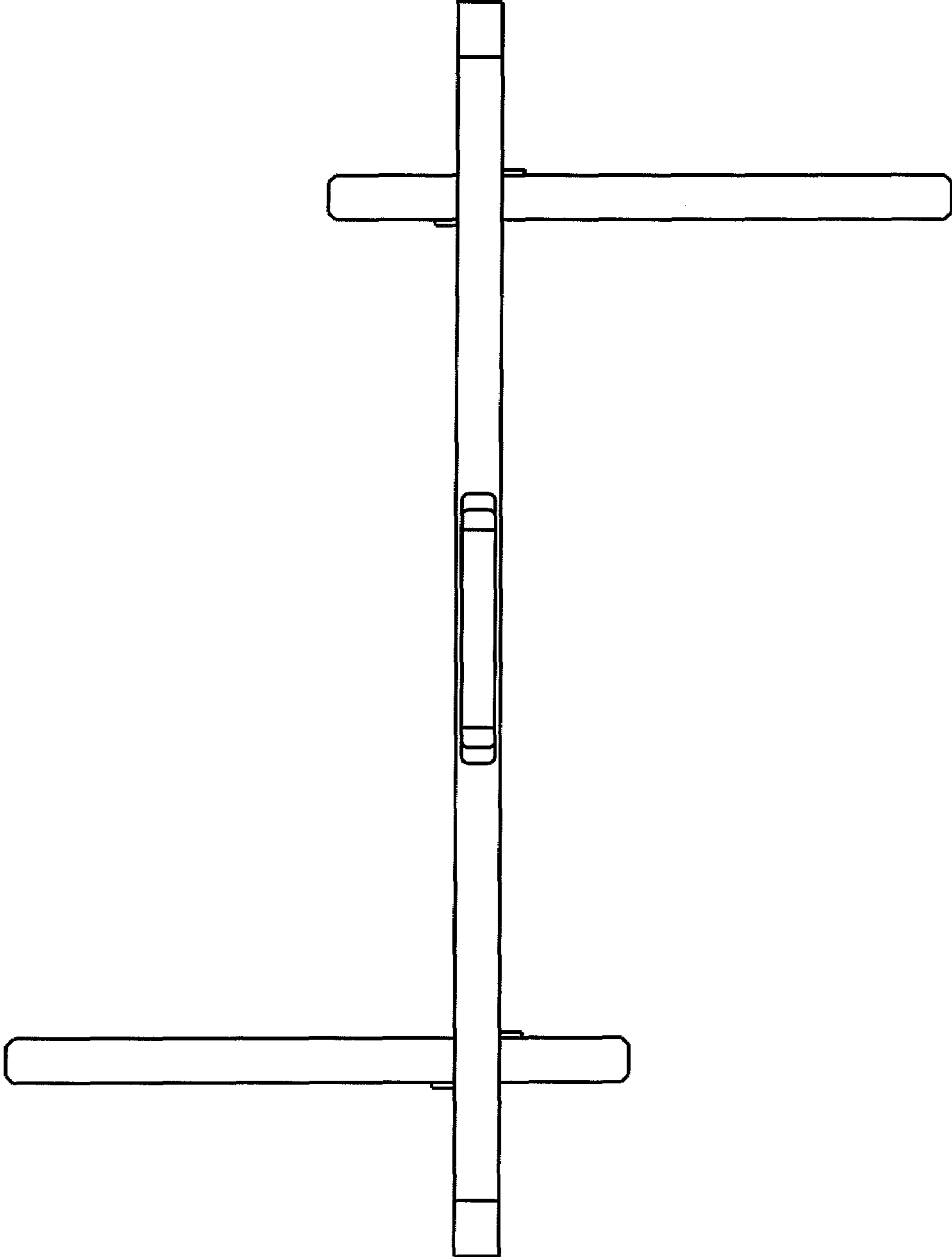
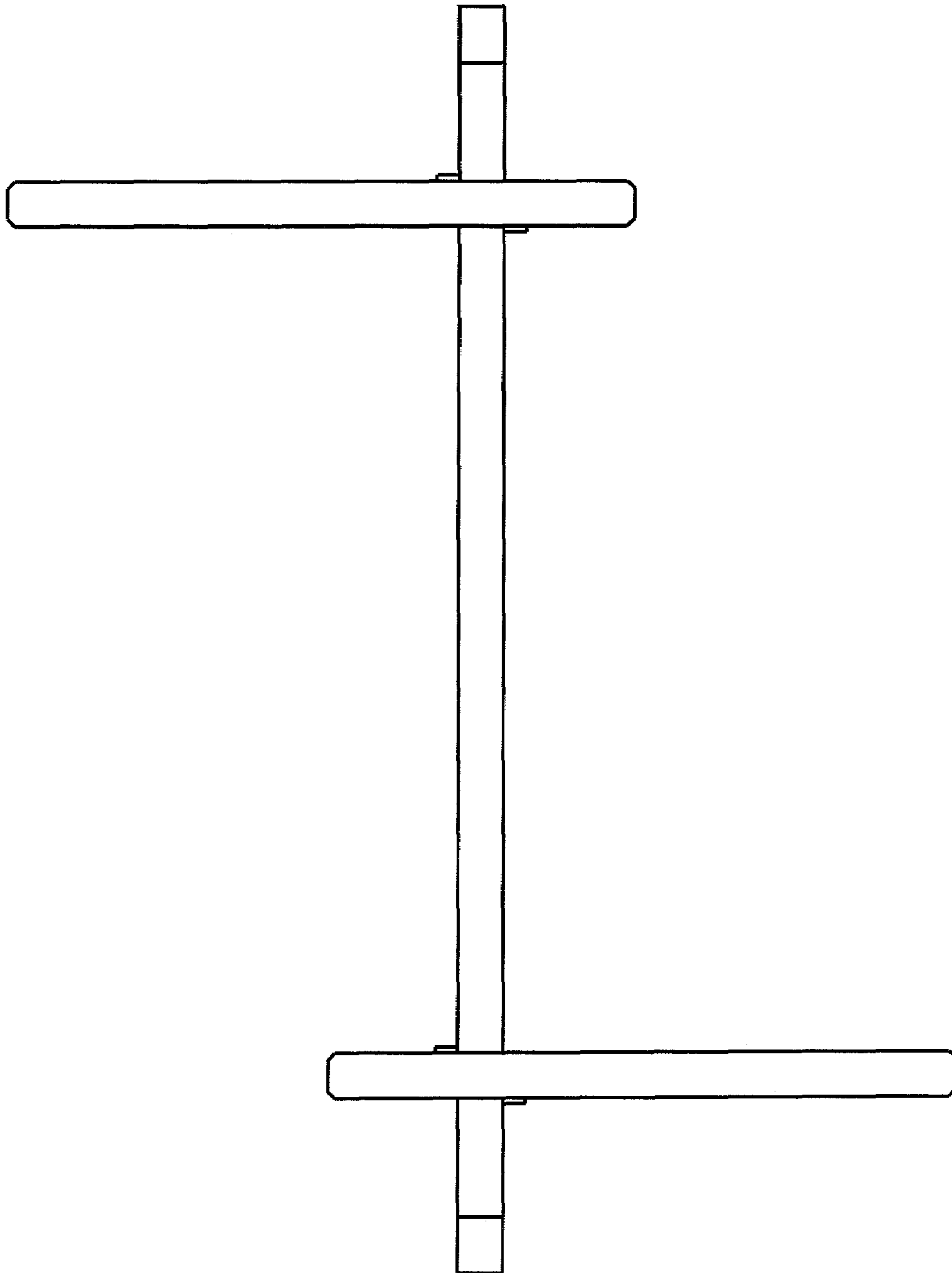


FIG. 3



*FIG. 4*

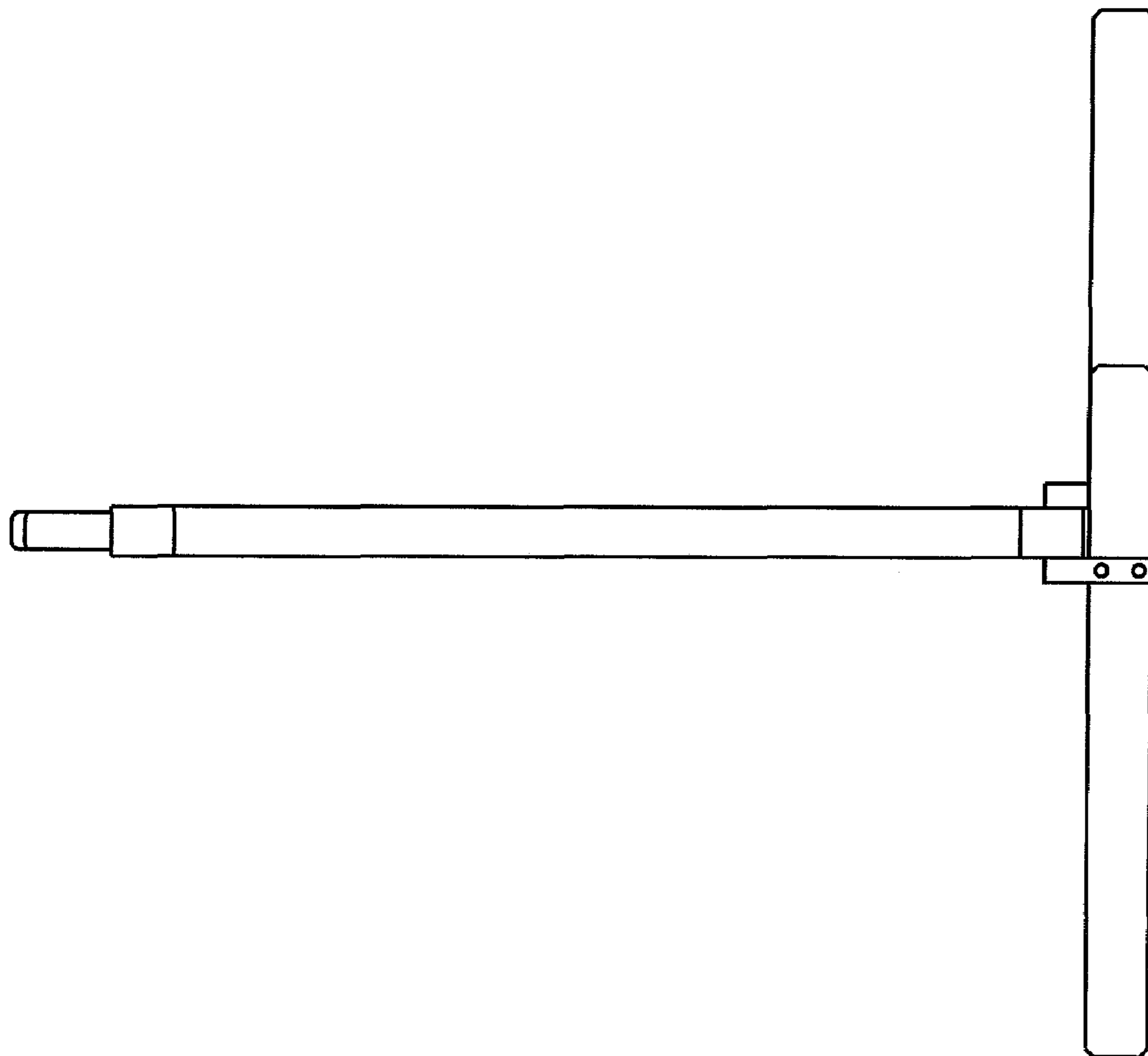


FIG. 5

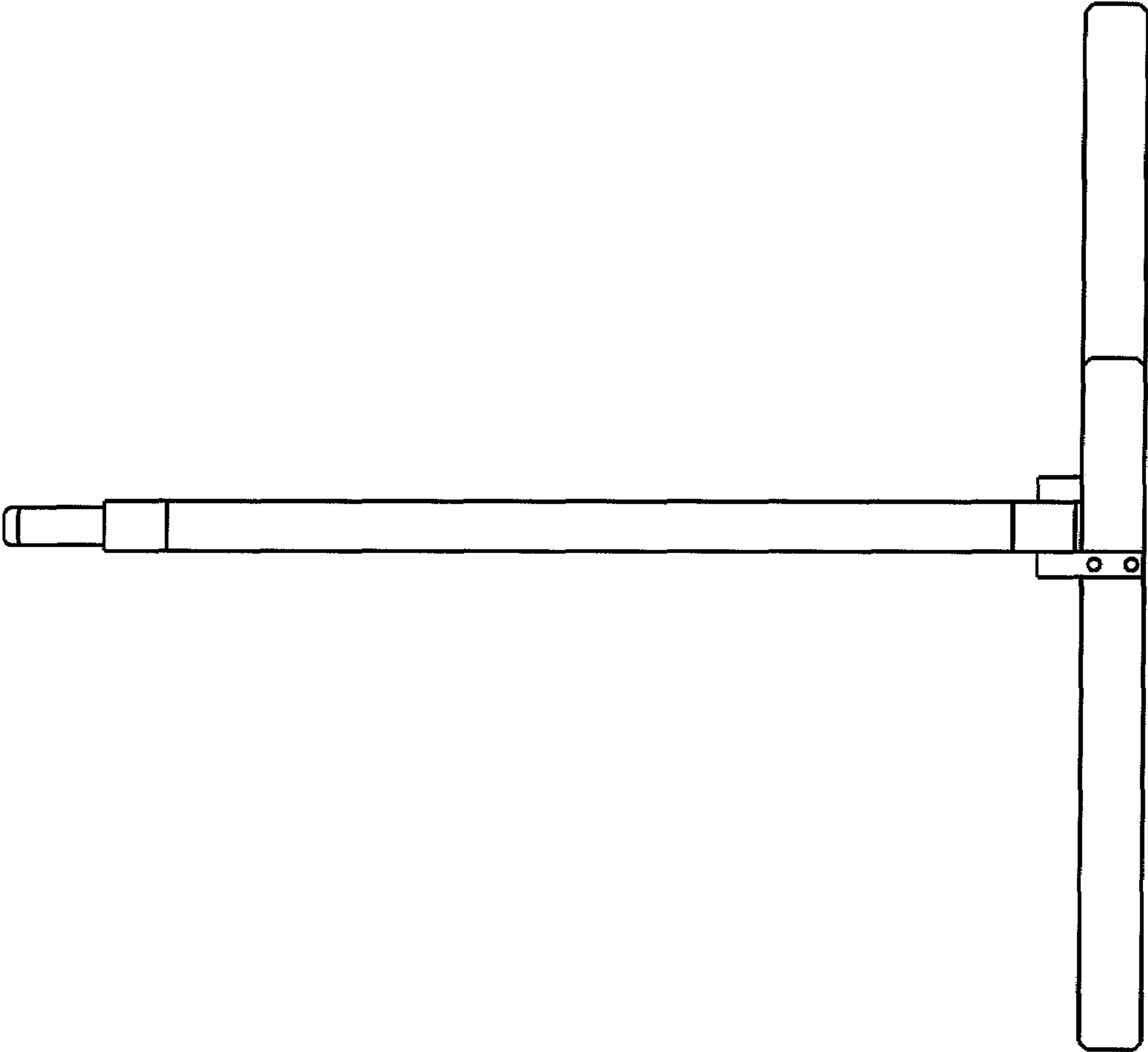


FIG. 6

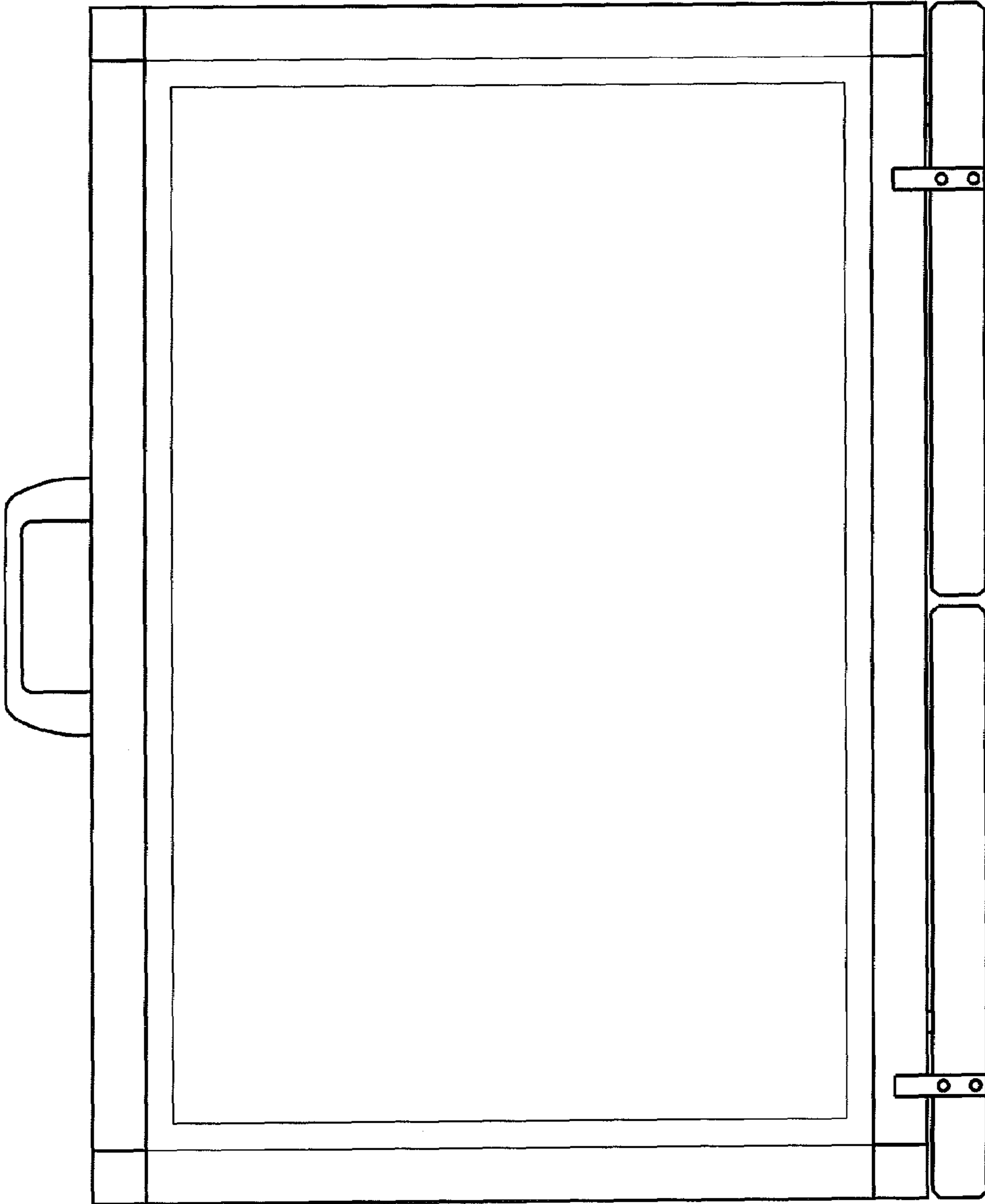


FIG. 7





*FIG. 8*



*FIG. 9*



*FIG. 10*