



US00D598547S

(12) **United States Design Patent**  
**Stefan**

(10) **Patent No.:** **US D598,547 S**

(45) **Date of Patent:** **\*\* Aug. 18, 2009**

(54) **ATTACHMENT FOR MEDICAL FORCEPS**

(75) Inventor: **Jochen Stefan, Wald (DE)**

(73) Assignee: **Karl Storz GmbH & Co. KG (DE)**

(\*\*) Term: **14 Years**

(21) Appl. No.: **29/329,623**

(22) Filed: **Dec. 18, 2008**

(30) **Foreign Application Priority Data**

Jun. 20, 2008 (EM) ..... 000956263

(51) **LOC (9) Cl.** ..... **24-02**

(52) **U.S. Cl.** ..... **D24/143; D24/147**

(58) **Field of Classification Search** ..... D24/143,  
D24/144, 145, 146, 147, 148, 133; 606/205,  
606/206, 208, 167, 170, 45, 210, 213, 215  
See application file for complete search history.

(56) **References Cited**

**U.S. PATENT DOCUMENTS**

5,728,107	A *	3/1998	Zlock et al.	606/139
6,669,696	B2 *	12/2003	Bacher et al.	606/51
D571,914	S *	6/2008	Bacher	D24/143
D583,472	S *	12/2008	Koh	D24/143
2007/0016248	A1 *	1/2007	Cuschieri et al.	606/205
2008/0294192	A1 *	11/2008	Stefan et al.	606/205

\* cited by examiner

*Primary Examiner*—Ian Simmons

*Assistant Examiner*—Christopher Lee

(74) *Attorney, Agent, or Firm*—St. Onge Steward Johnston & Reens LLC

(57) **CLAIM**

The ornamental design for an attachment for medical forceps, as shown and described.

**DESCRIPTION**

FIG. 1 is a top isometric view of an attachment for medical forceps in accordance with the new design;

FIG. 2 is a right side view thereof;

FIG. 3 is a top view thereof;

FIG. 4 is a bottom view thereof;

FIG. 5 is a rear view thereof;

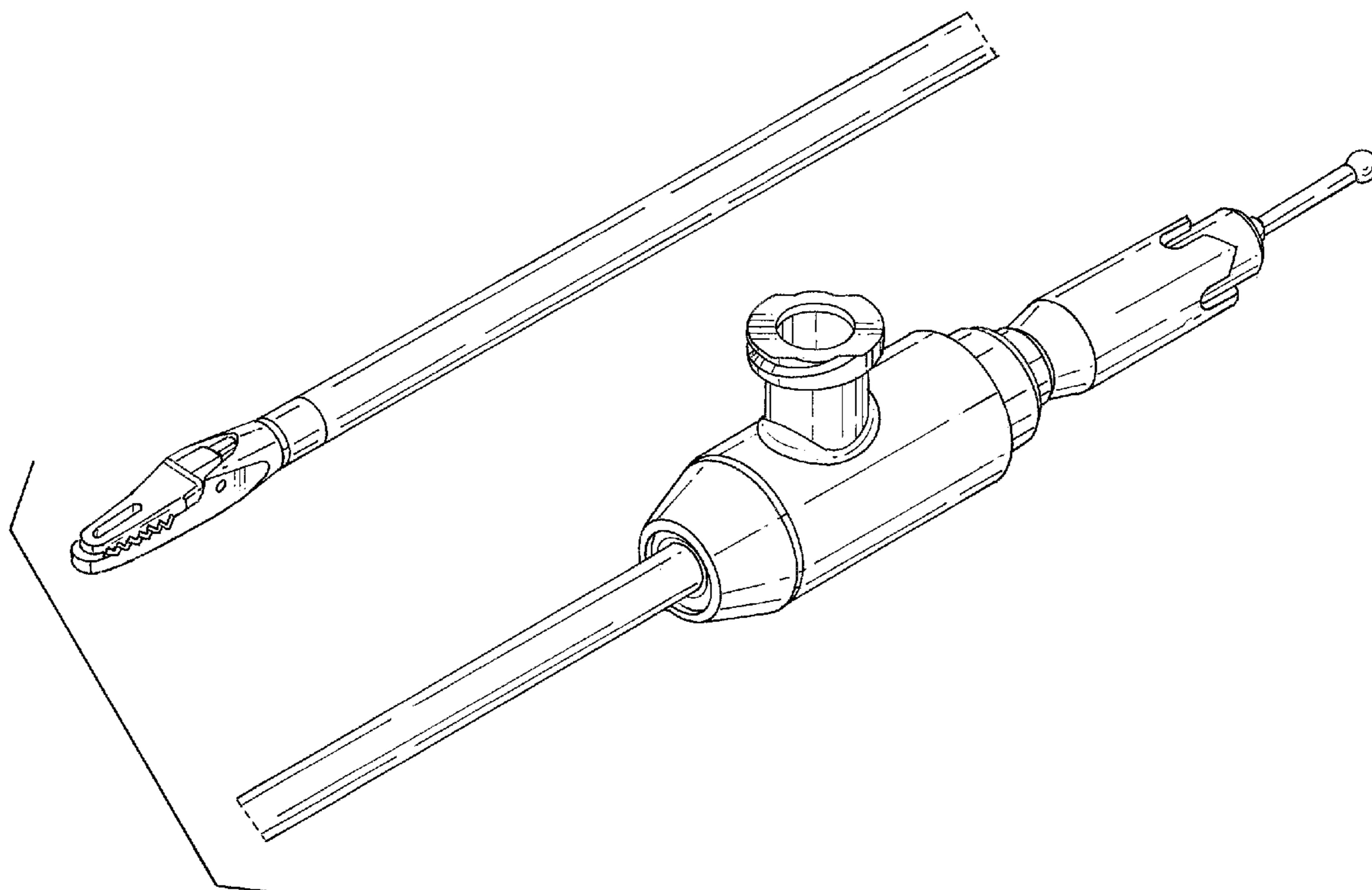
FIG. 6 is a front view thereof; and,

FIG. 7 is a left side view of an attachment for medical forceps shown in the environment in which it is used.

The broken lines in FIG. 7 are included for the purpose of illustrating a portion of the medical forceps that forms no part of the claimed design.

FIGS. 1–4 shown as broken in the middle and embraced with the brackets are for ease of illustration and to show a single article of manufacture.

**1 Claim, 6 Drawing Sheets**



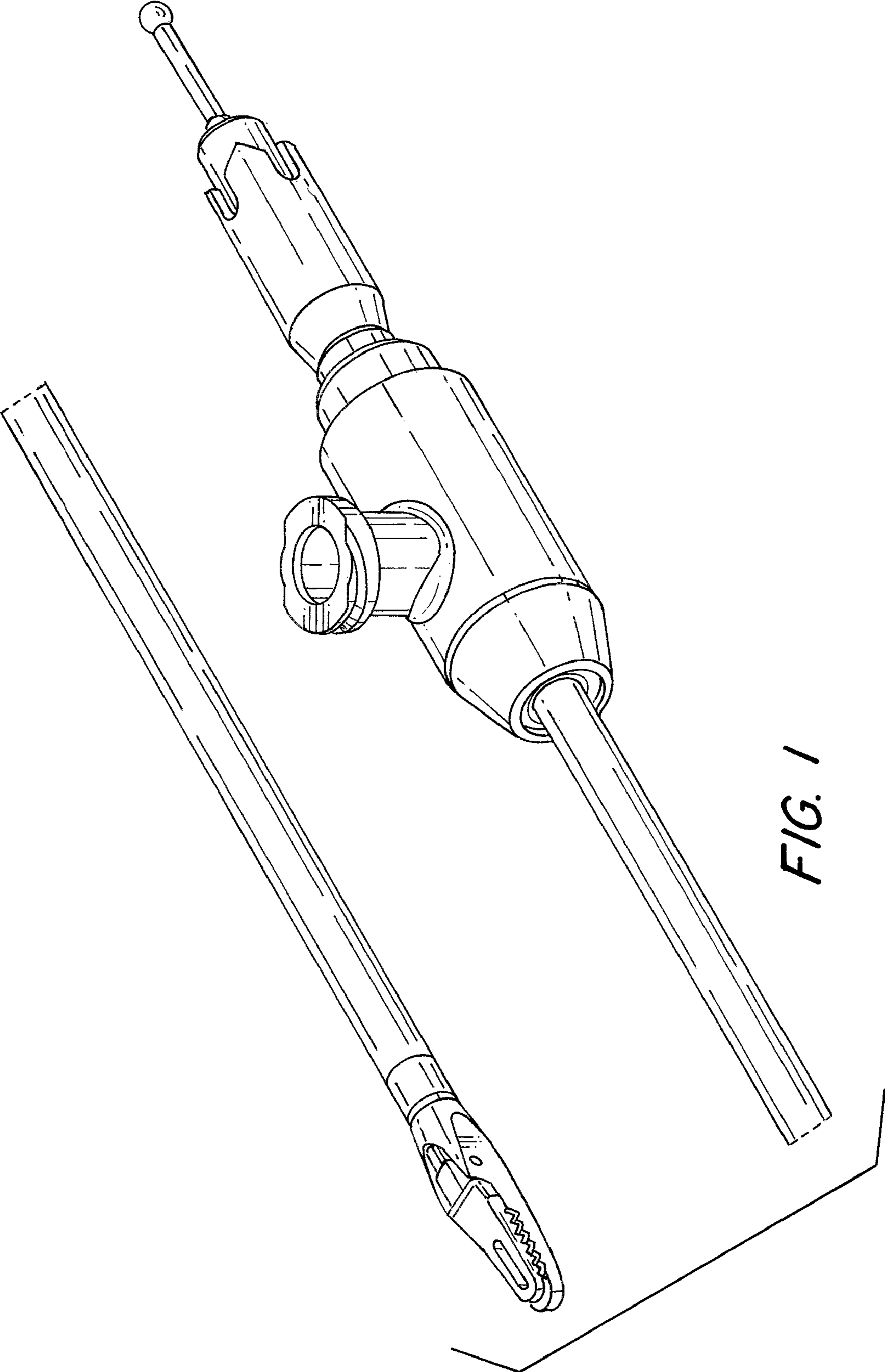


FIG. 1

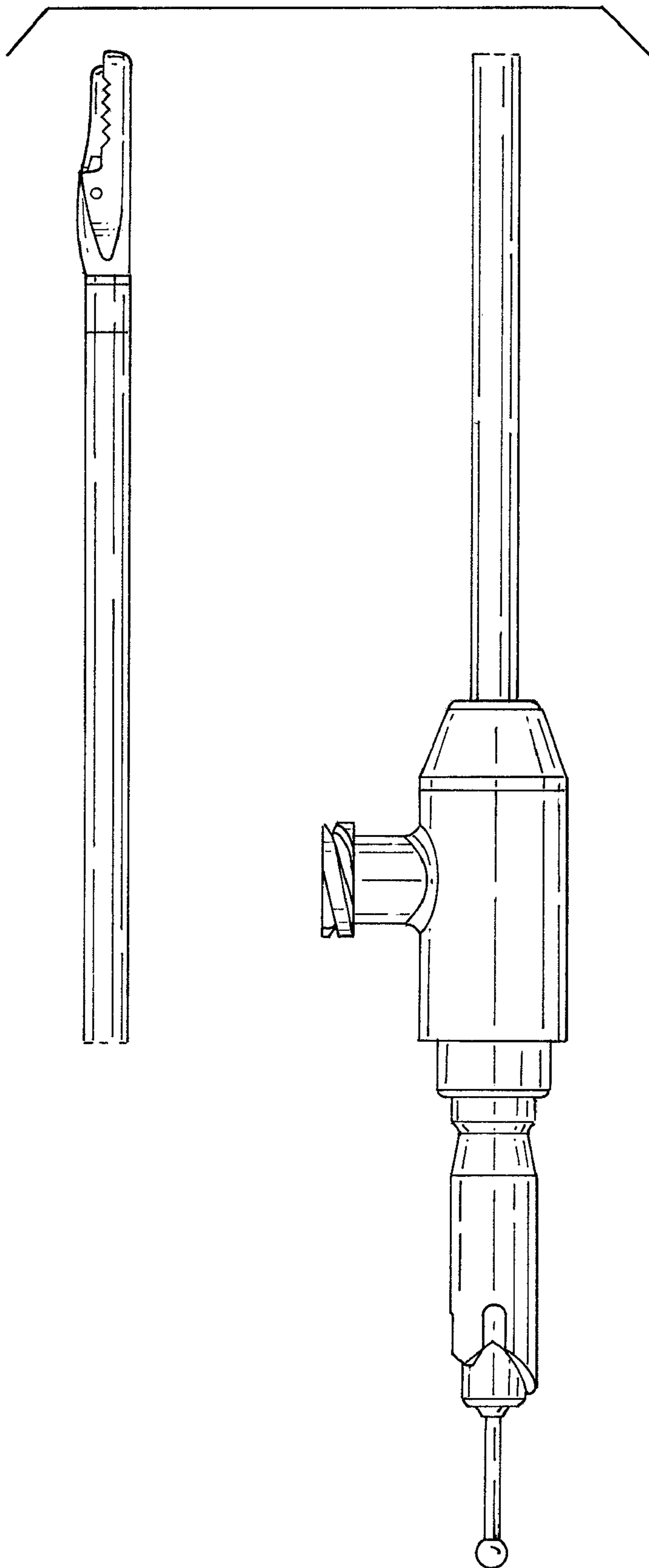


FIG. 2

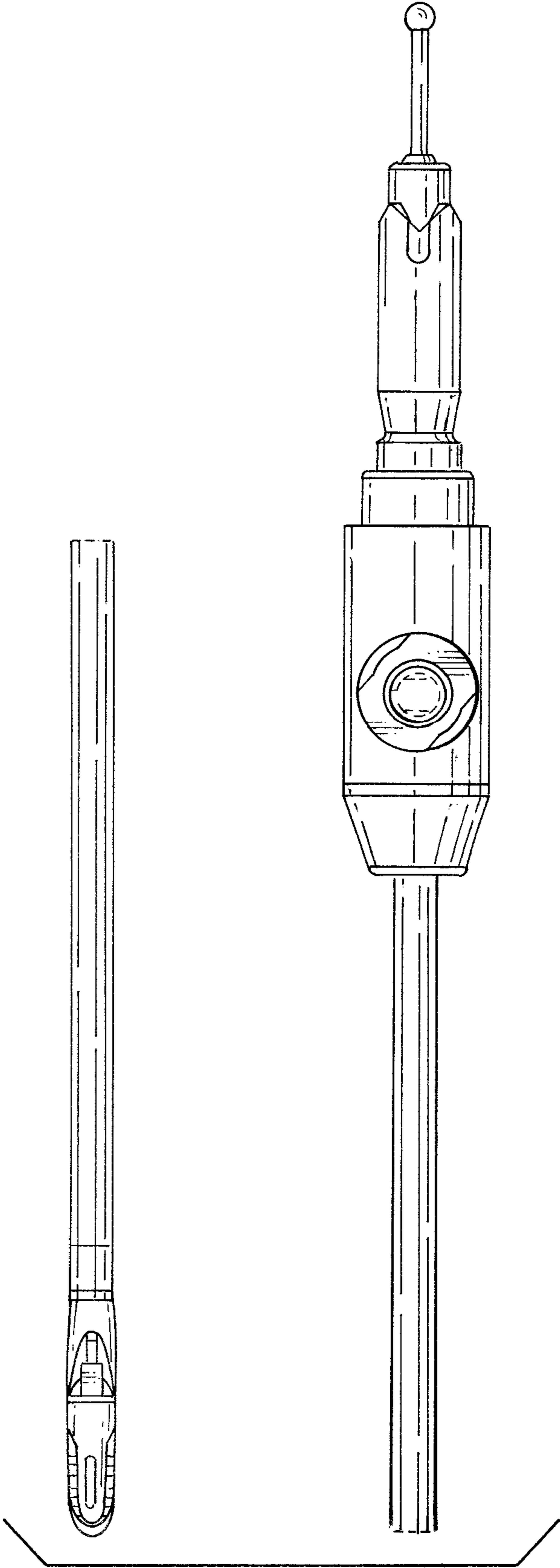


FIG. 3

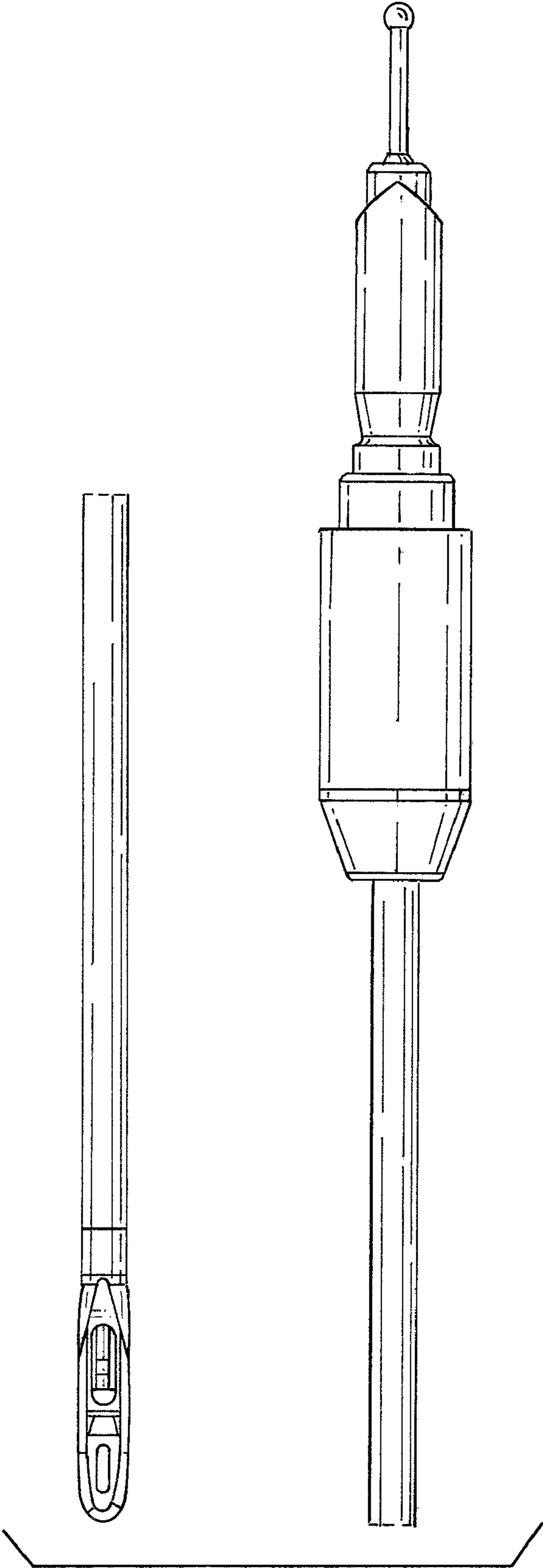
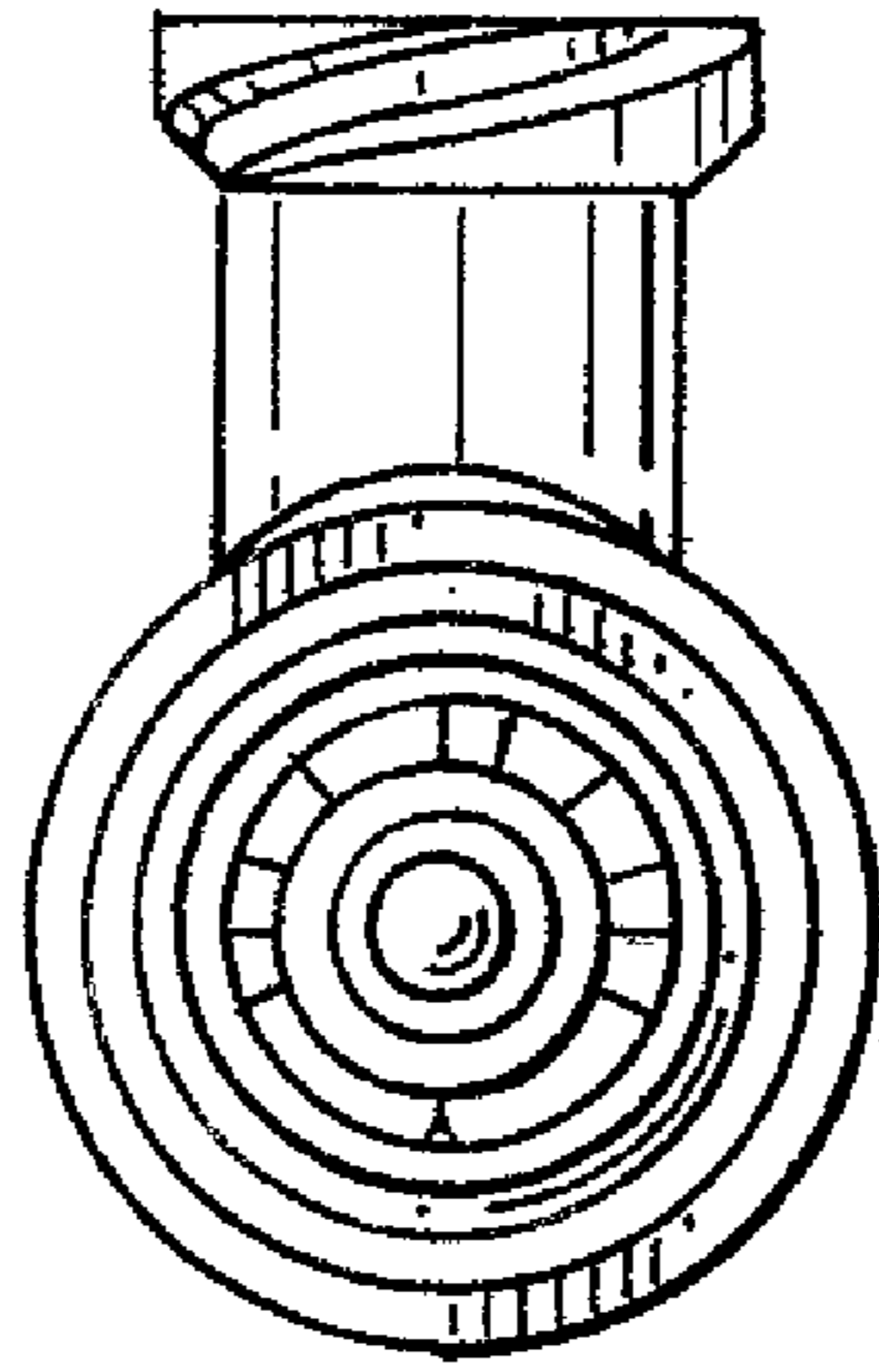
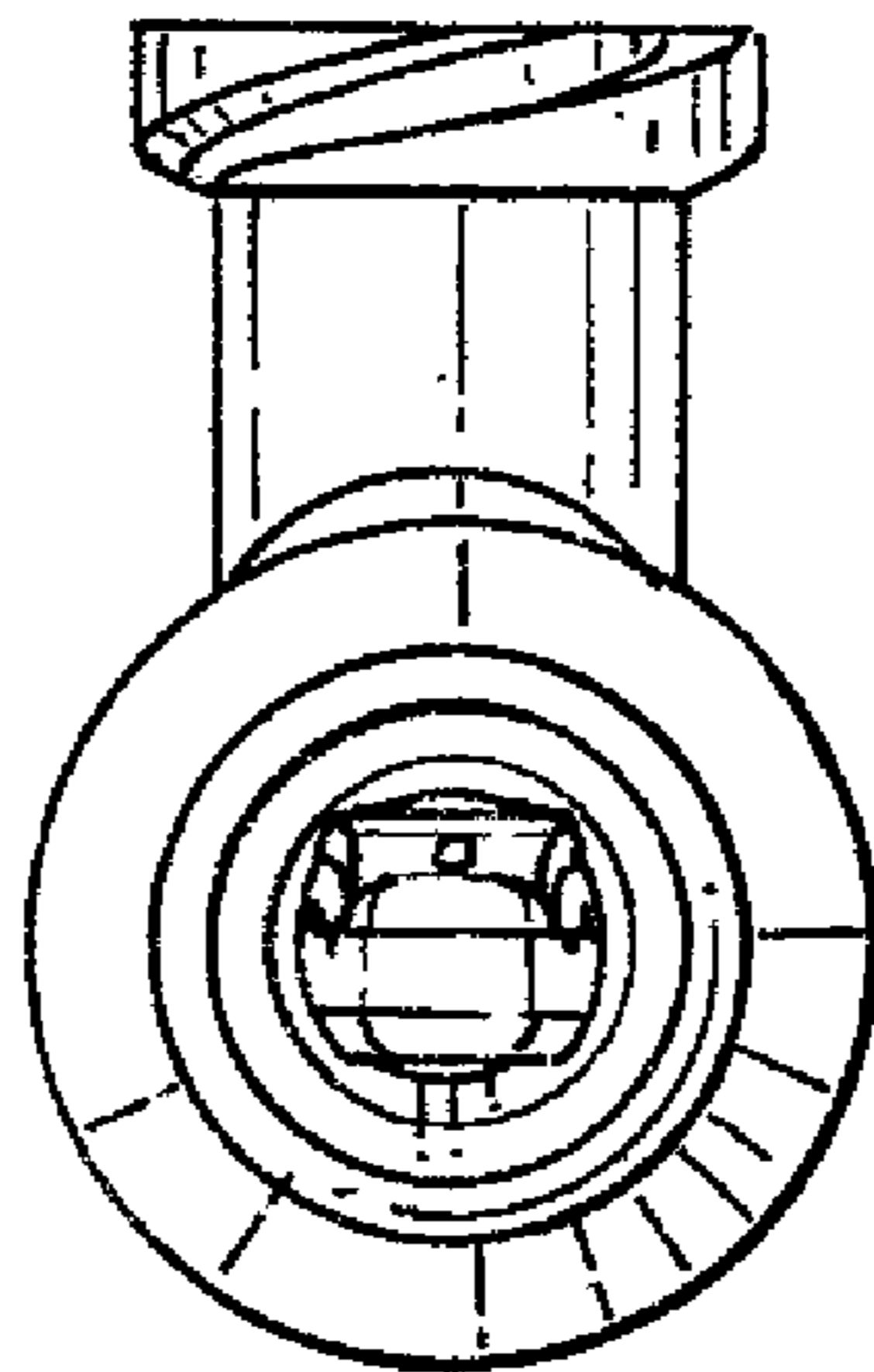


FIG. 4



*FIG. 5*



*FIG. 6*

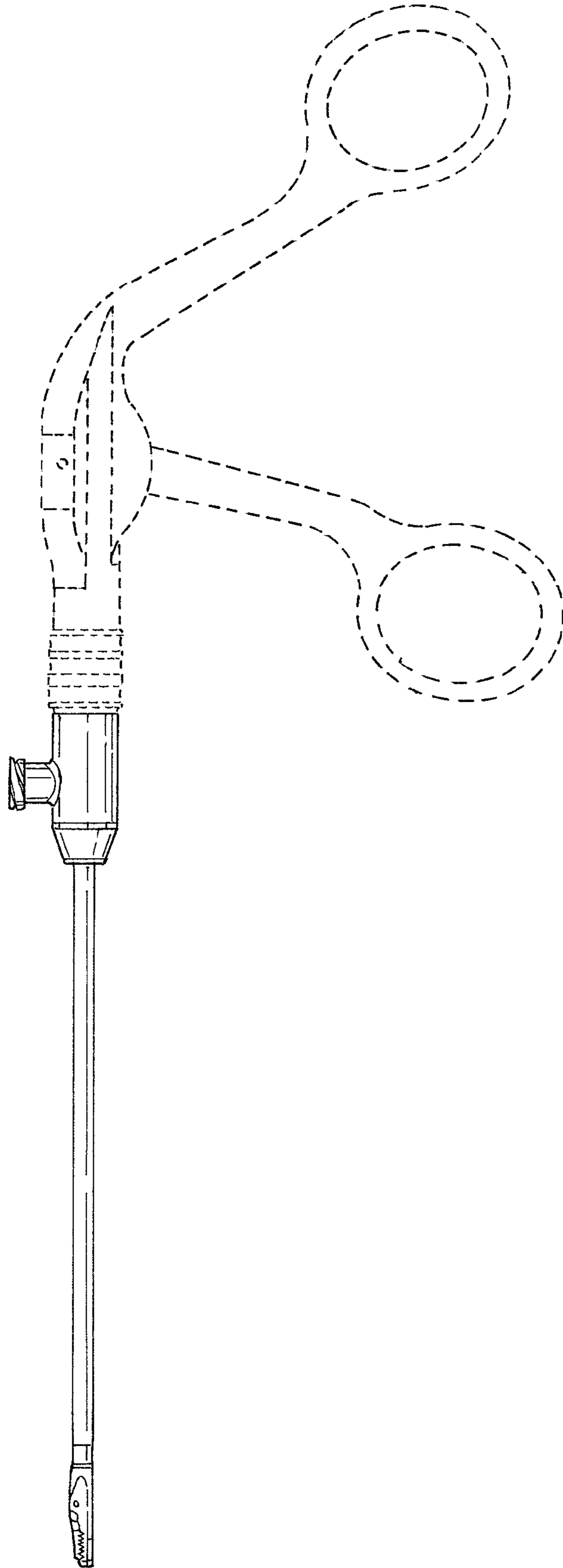


FIG. 7