



US00D598546S

(12) **United States Design Patent**
Melder

(10) **Patent No.:** **US D598,546 S**

(45) **Date of Patent:** **** Aug. 18, 2009**

(54) **STERILE DRAPE FOR AN ENDOSCOPIC CAMERA**

(75) Inventor: **Patrick C. Melder**, Clarksburg, MD (US)

(73) Assignee: **Envisionier Medical Technologies, Inc.**, Woodstock, GA (US)

(**) Term: **14 Years**

(21) Appl. No.: **29/295,909**

(22) Filed: **Oct. 10, 2007**

(51) **LOC (9) Cl.** **24-02**

(52) **U.S. Cl.** **D24/138**

(58) **Field of Classification Search** D24/138;
128/849-856

See application file for complete search history.

(56) **References Cited**

U.S. PATENT DOCUMENTS

5,341,815	A *	8/1994	Cofone et al.	600/562
5,375,717	A *	12/1994	Roshdy	206/476
5,433,221	A *	7/1995	Adair	128/849
5,699,909	A *	12/1997	Foster	206/370
6,000,400	A *	12/1999	Navis	128/849
2007/0000498	A1 *	1/2007	Glynn et al.	128/852
2007/0229655	A1 *	10/2007	Ellison et al.	348/173

OTHER PUBLICATIONS

Co-pending U.S. Appl. No. 29/247,639, filed Jun. 30, 2006, Entitled Camera, having a common inventor and assignee with the present application.

Co-pending U.S. Appl. No. 11/768,965, filed Jun. 27, 2007, Entitled Endoscopic Imaging System, having a common inventor and assignee with the present application.

* cited by examiner

Primary Examiner—Ian Simmons

Assistant Examiner—Carissa C Fitts

(74) *Attorney, Agent, or Firm*—Patzik, Frank & Sanotny Ltd.

(57) **CLAIM**

The ornamental design for the sterile drape for an endoscopic camera, as shown and described.

DESCRIPTION

FIG. 1 is a left side perspective view of the sterile drape for an endoscopic camera according to the invention, showing the new ornamental design;

FIG. 2 is a left side elevational view thereof, the right-side elevational view being a mirror image thereof;

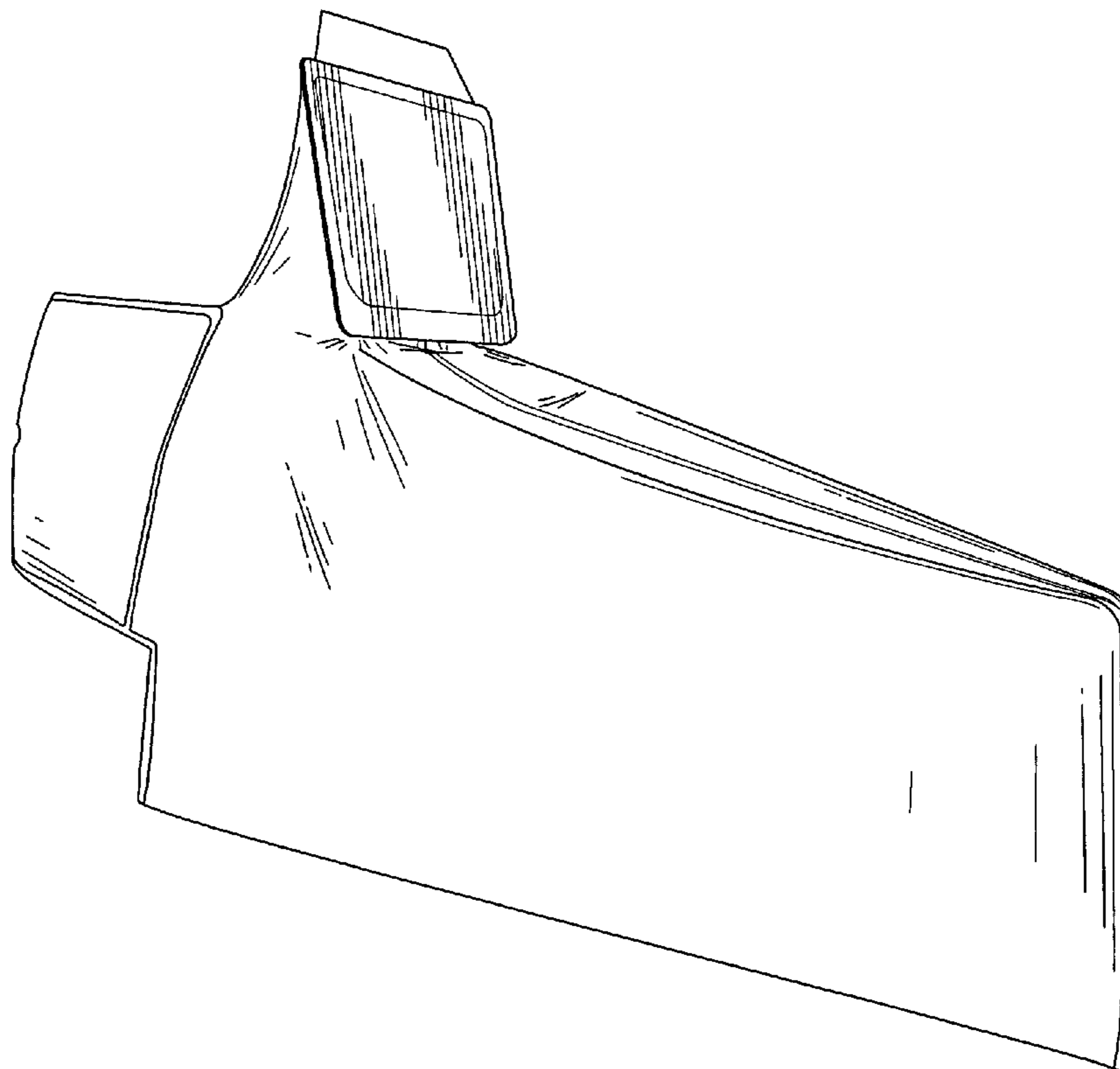
FIG. 3 is a front elevational view thereof;

FIG. 4 is a rear elevational view thereof;

FIG. 5 is a top plan view thereof; and,

FIG. 6 is a bottom plan view thereof.

1 Claim, 6 Drawing Sheets



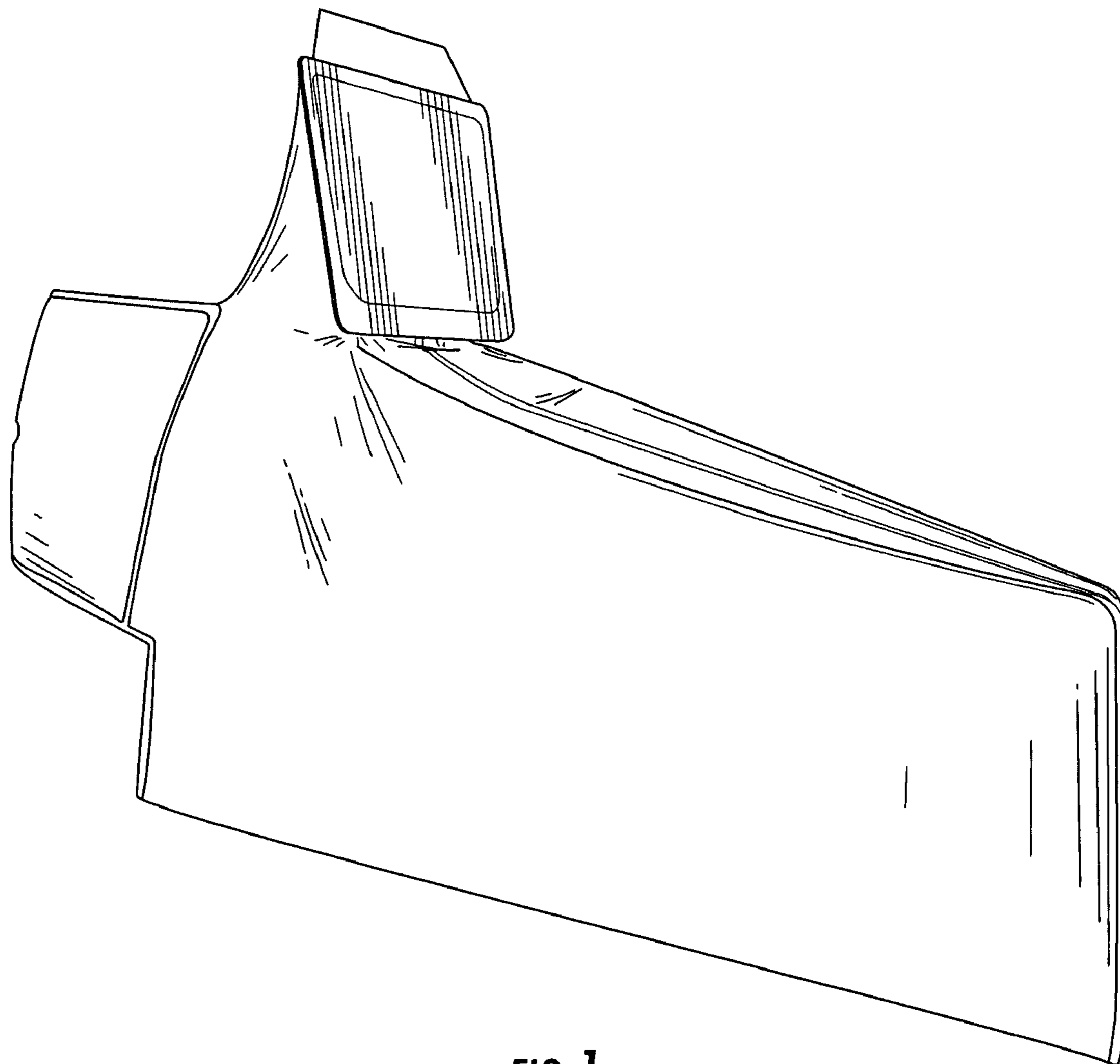


FIG. 1

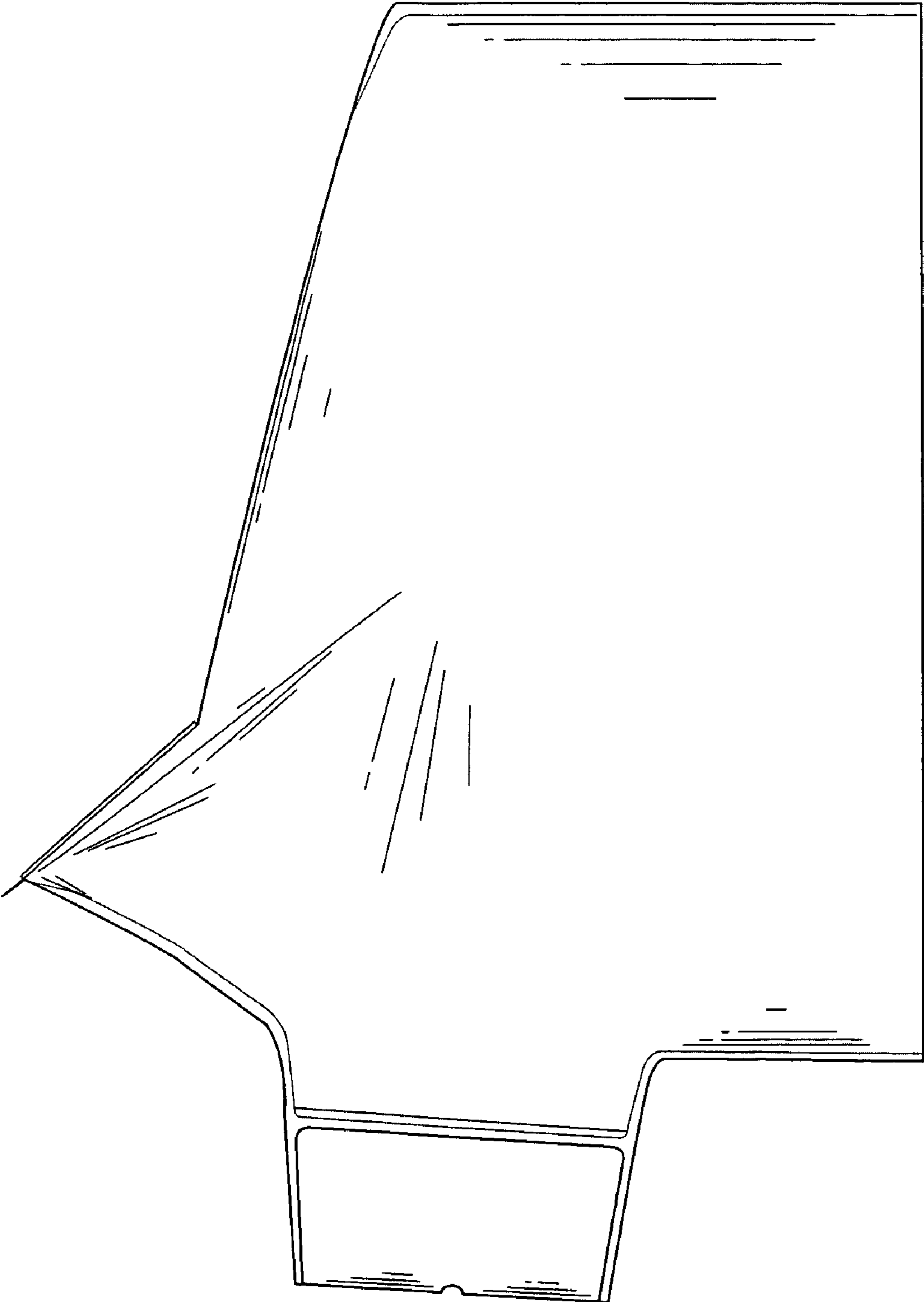


FIG. 2

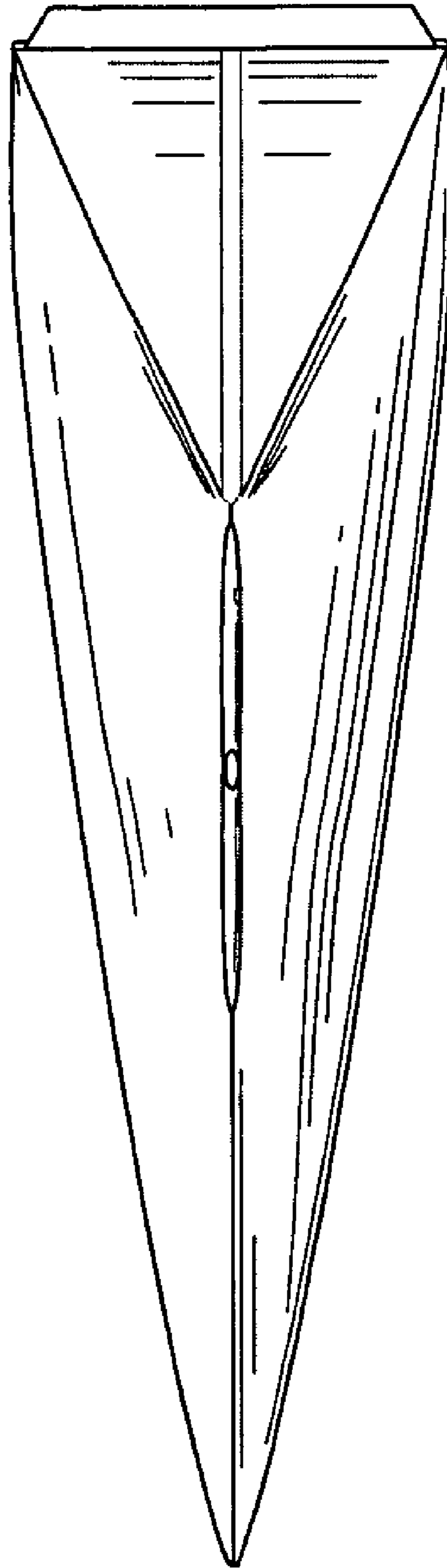


FIG. 3

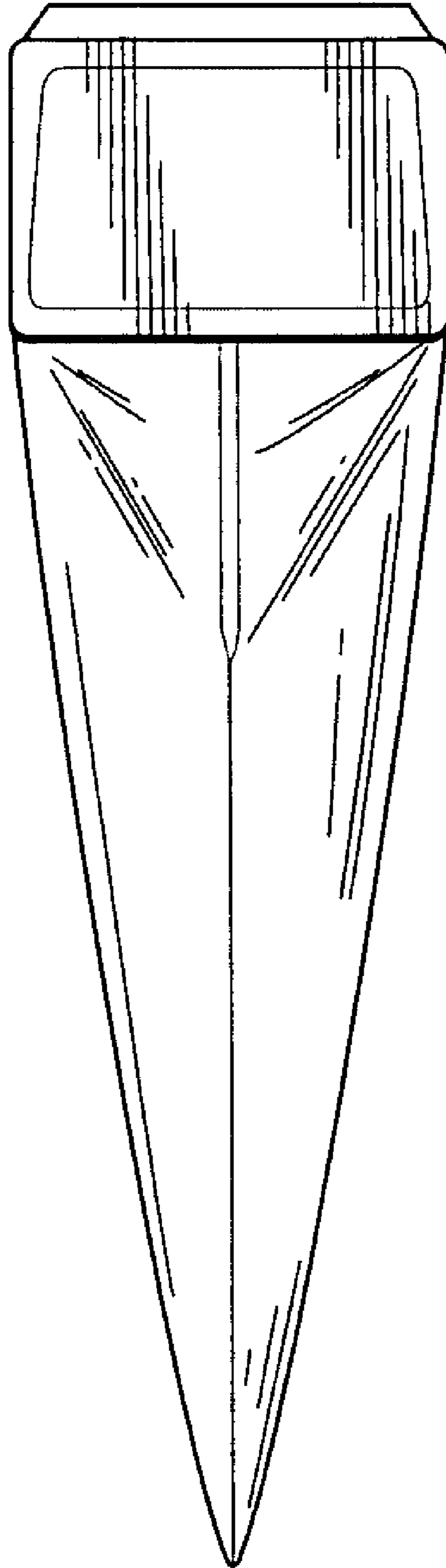


FIG. 4

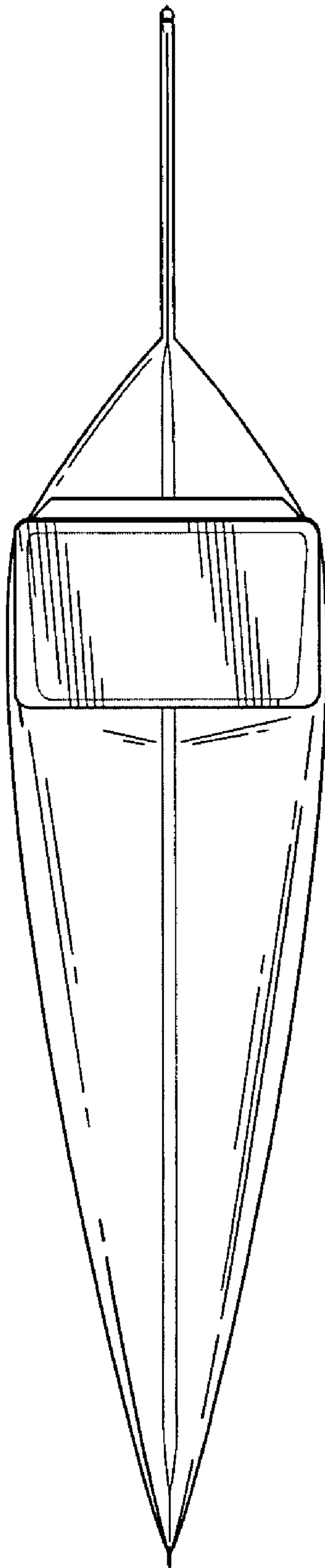


FIG. 5

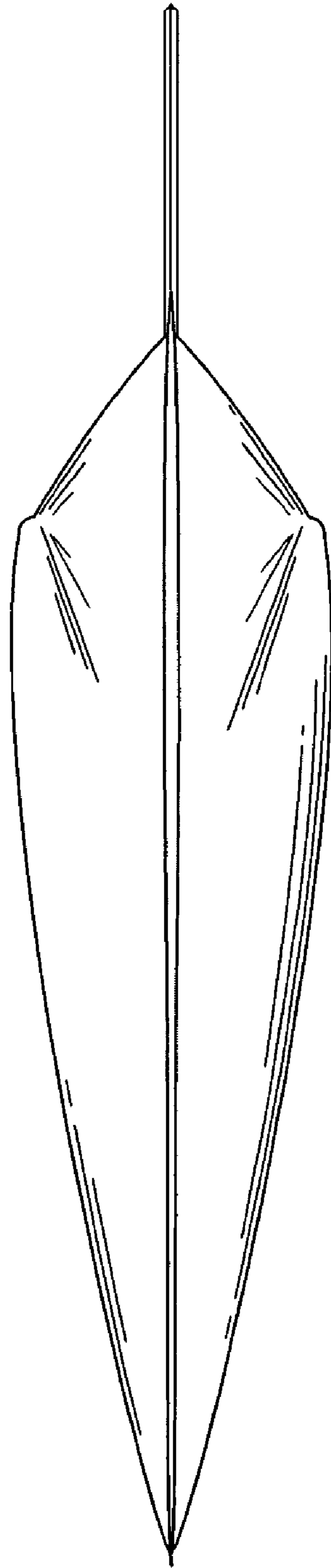


FIG. 6