



US00D598545S

(12) **United States Design Patent**
Haines, III et al.

(10) **Patent No.:** **US D598,545 S**

(45) **Date of Patent:** **** Aug. 18, 2009**

(54) **DIGITAL OTOSCOPE**

(75) Inventors: **Howard Haines, III**, Auburn, NY (US);
Corinn Fahrenkrug, Liverpool, NY
(US); **Eric M. Andreassen**, Syracuse,
NY (US); **David M. Fallat**, Auburn, NY
(US); **Ervin Goldfain**, Syracuse, NY
(US); **John R. Strom**, Moravia, NY
(US); **John Delaney**, Auburn, NY (US)

(73) Assignee: **Welch Allyn, Inc.**, Skaneateles Falls, NY
(US)

(**) Term: **14 Years**

(21) Appl. No.: **29/278,585**

(22) Filed: **Apr. 3, 2007**

(51) **LOC (9) Cl.** **24-02**

(52) **U.S. Cl.** **D24/137**

(58) **Field of Classification Search** D24/137,
D24/133, 135, 138, 150, 172; D8/61, 68;
D13/107, 108; 606/14, 17, 162; 320/114,
320/107; 429/97, 100; 600/200, 203
See application file for complete search history.

(56) **References Cited**

U.S. PATENT DOCUMENTS

D222,925 S * 2/1972 Pulsos D24/137
3,698,387 A 10/1972 Moore et al.
D265,504 S * 7/1982 Nash D24/137
D278,554 S * 4/1985 Bain et al. D24/137
5,390,663 A 2/1995 Schaefer

D423,668 S * 4/2000 Coe D24/137
6,106,457 A 8/2000 Perkins et al.
7,029,439 B2 4/2006 Roberts et al.
D529,777 S * 10/2006 Hattori D8/68
D551,047 S * 9/2007 Lopano D8/68
2005/0027168 A1 * 2/2005 Strom et al. 600/200

* cited by examiner

Primary Examiner—Charles A Rademaker

Assistant Examiner—Christopher Lee

(74) *Attorney, Agent, or Firm*—Hiscock & Barclay, LLP

(57) **CLAIM**

The ornamental design for a digital otoscope, as shown and described.

DESCRIPTION

FIG. 1 is a side view of a digital otoscope showing our new design;

FIG. 2 is another side view thereof;

FIG. 3 is a top view thereof;

FIG. 4 is a bottom view thereof;

FIG. 5 is a front view thereof;

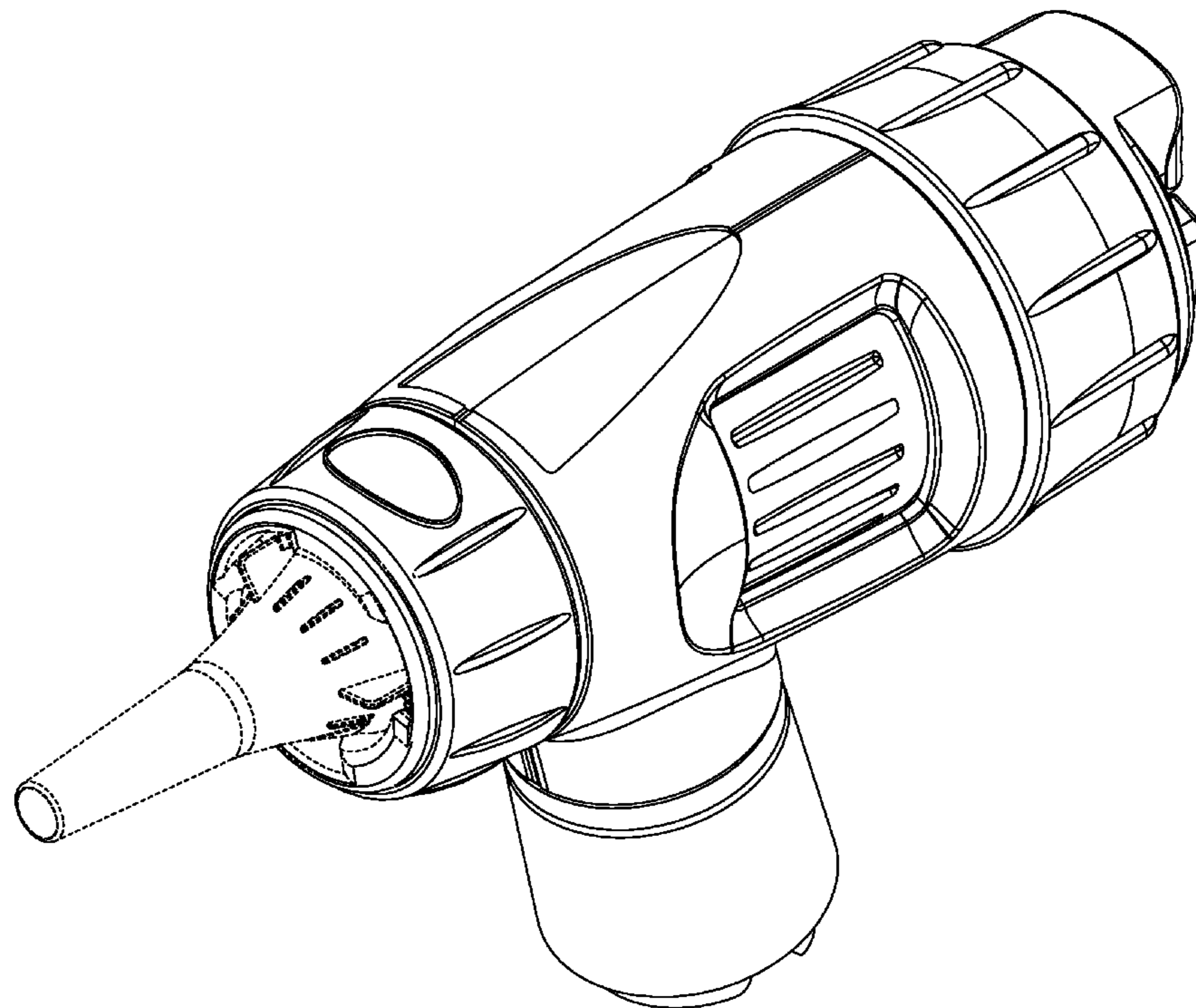
FIG. 6 is a rear view thereof;

FIG. 7 is a perspective view thereof; and,

FIG. 8 is another perspective thereof.

The broken line illustration of an otoscopic speculum in FIGS. 1–8 except for FIG. 6 is shown for illustrative purposes only and forms no part of the claimed design.

1 Claim, 7 Drawing Sheets



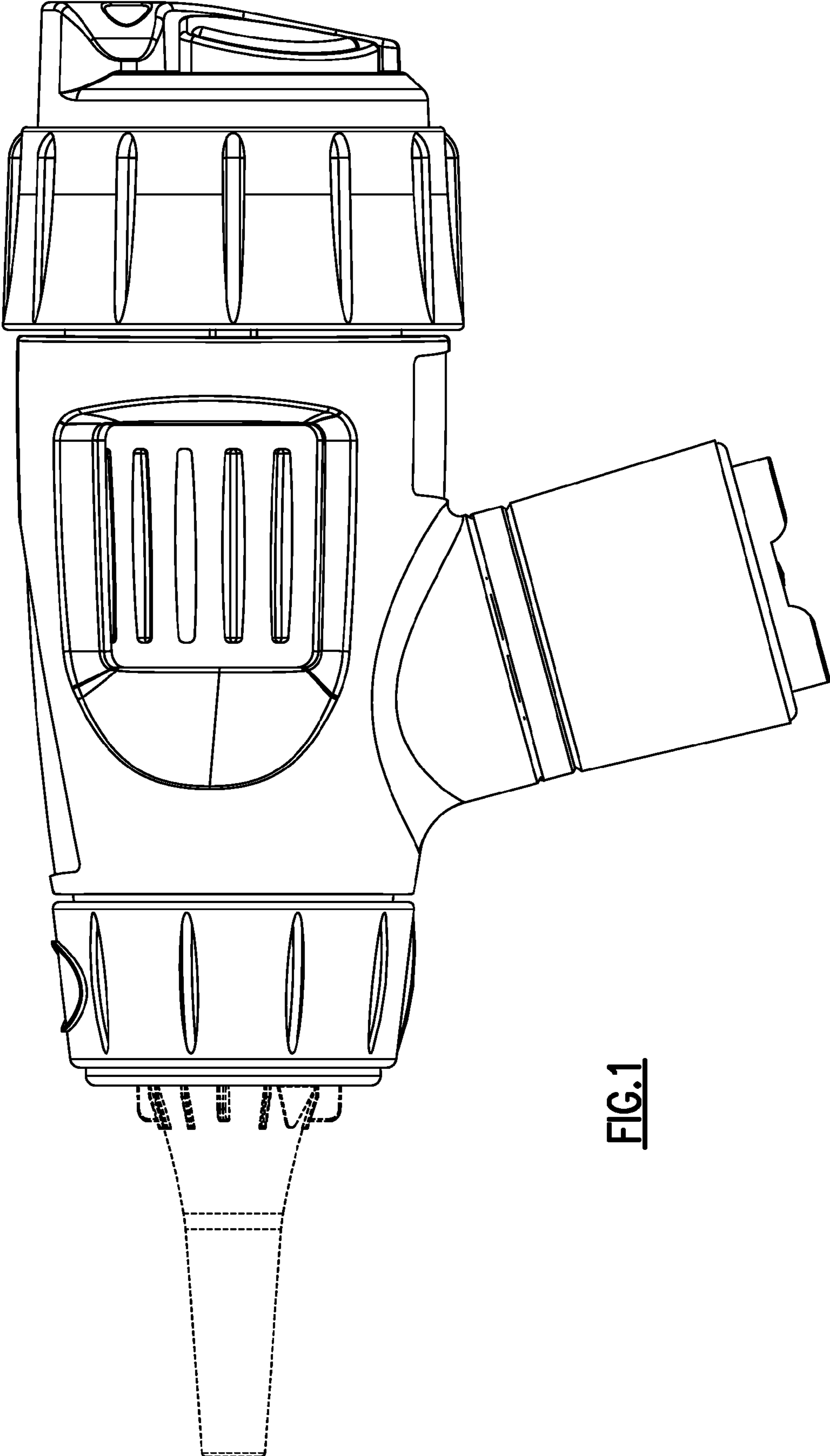


FIG.1

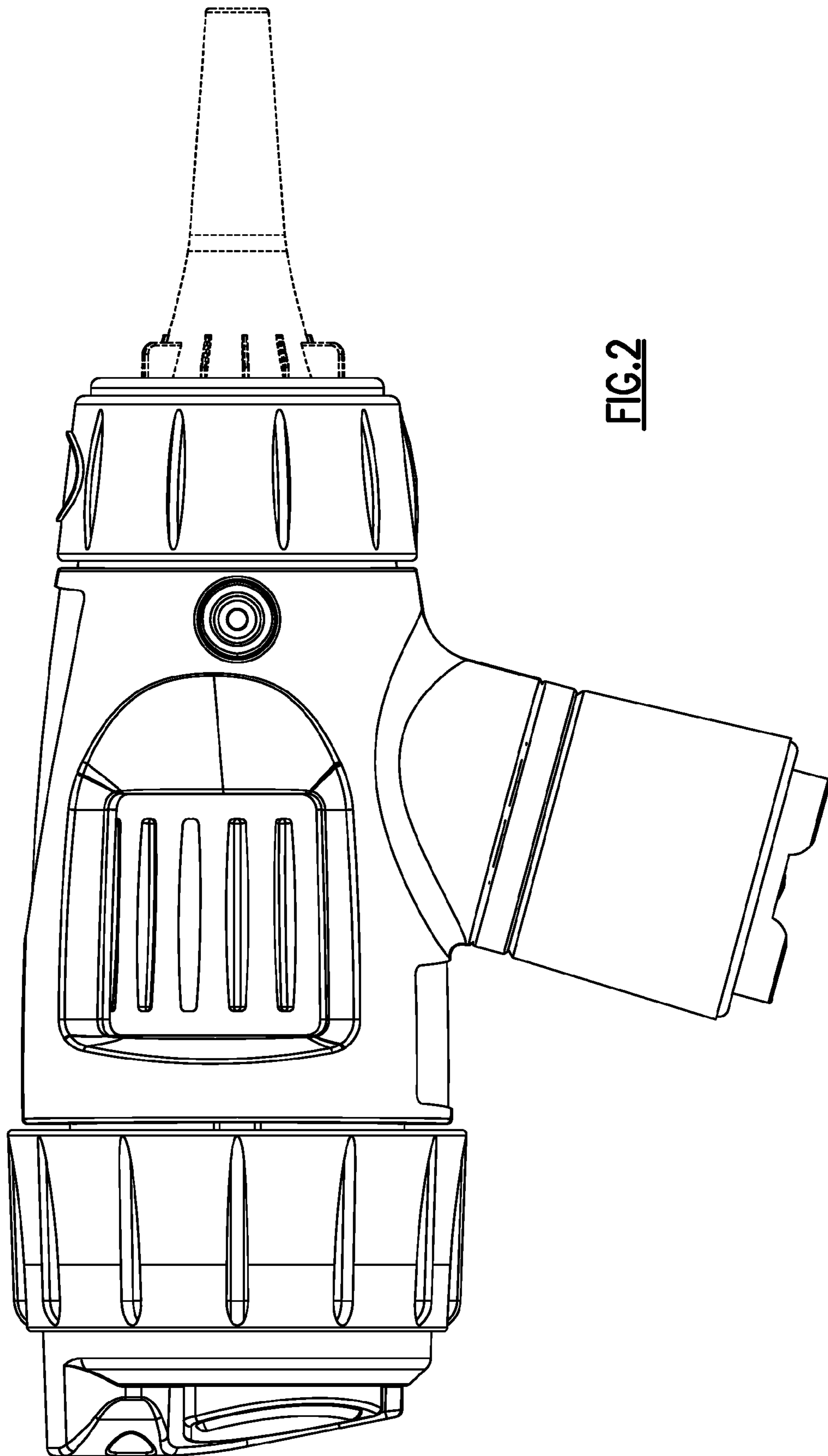


FIG. 2

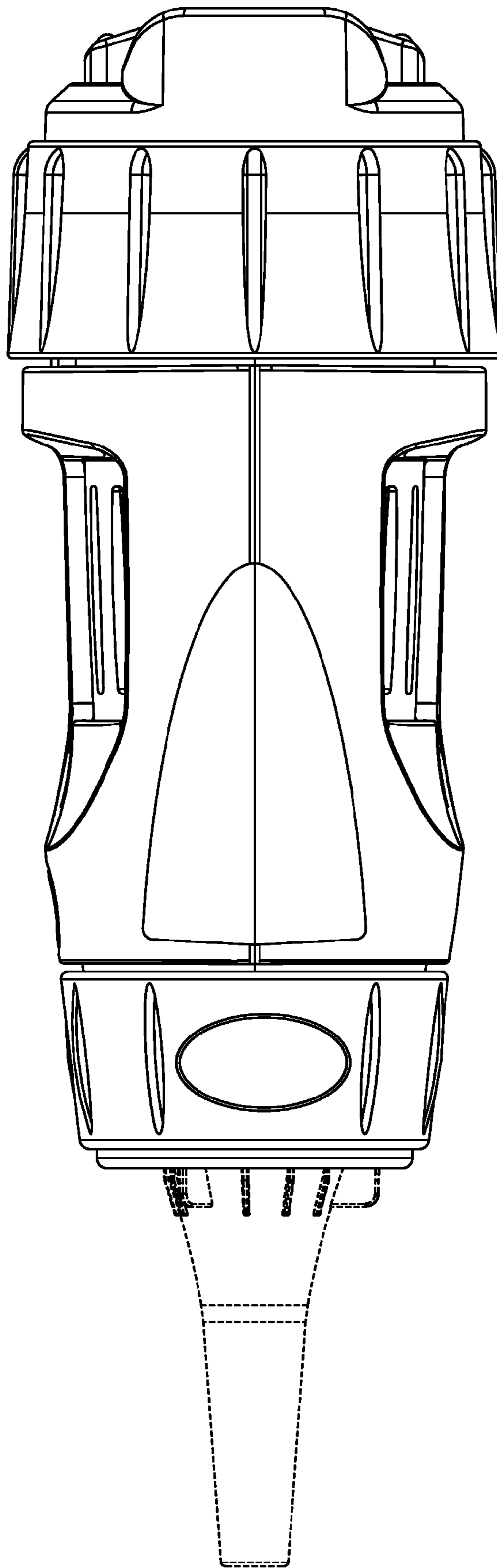


FIG. 3

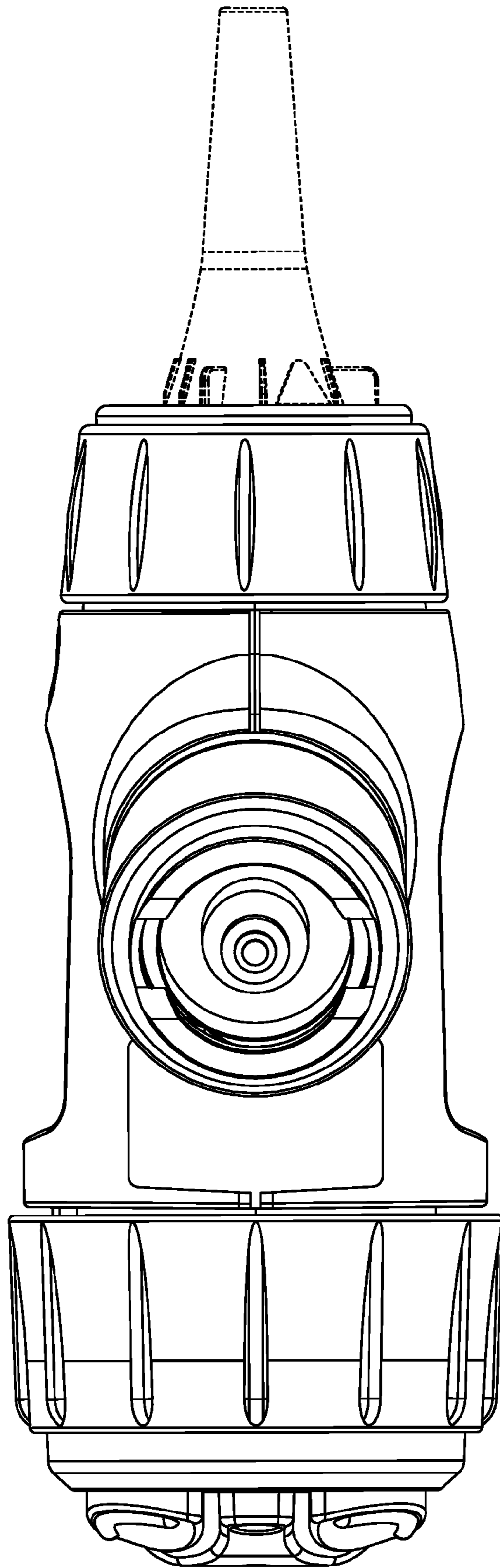


FIG.4

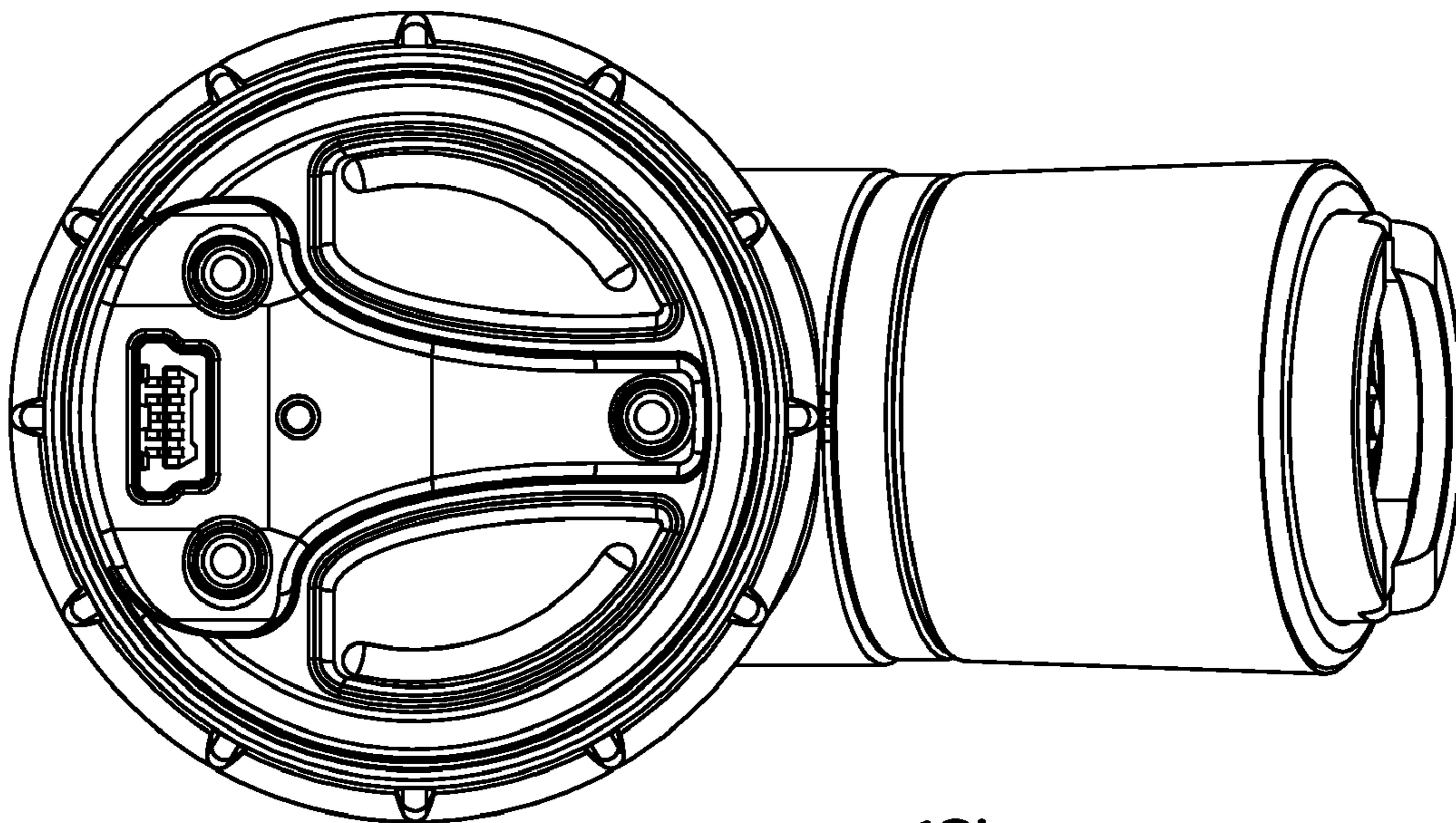


FIG. 6

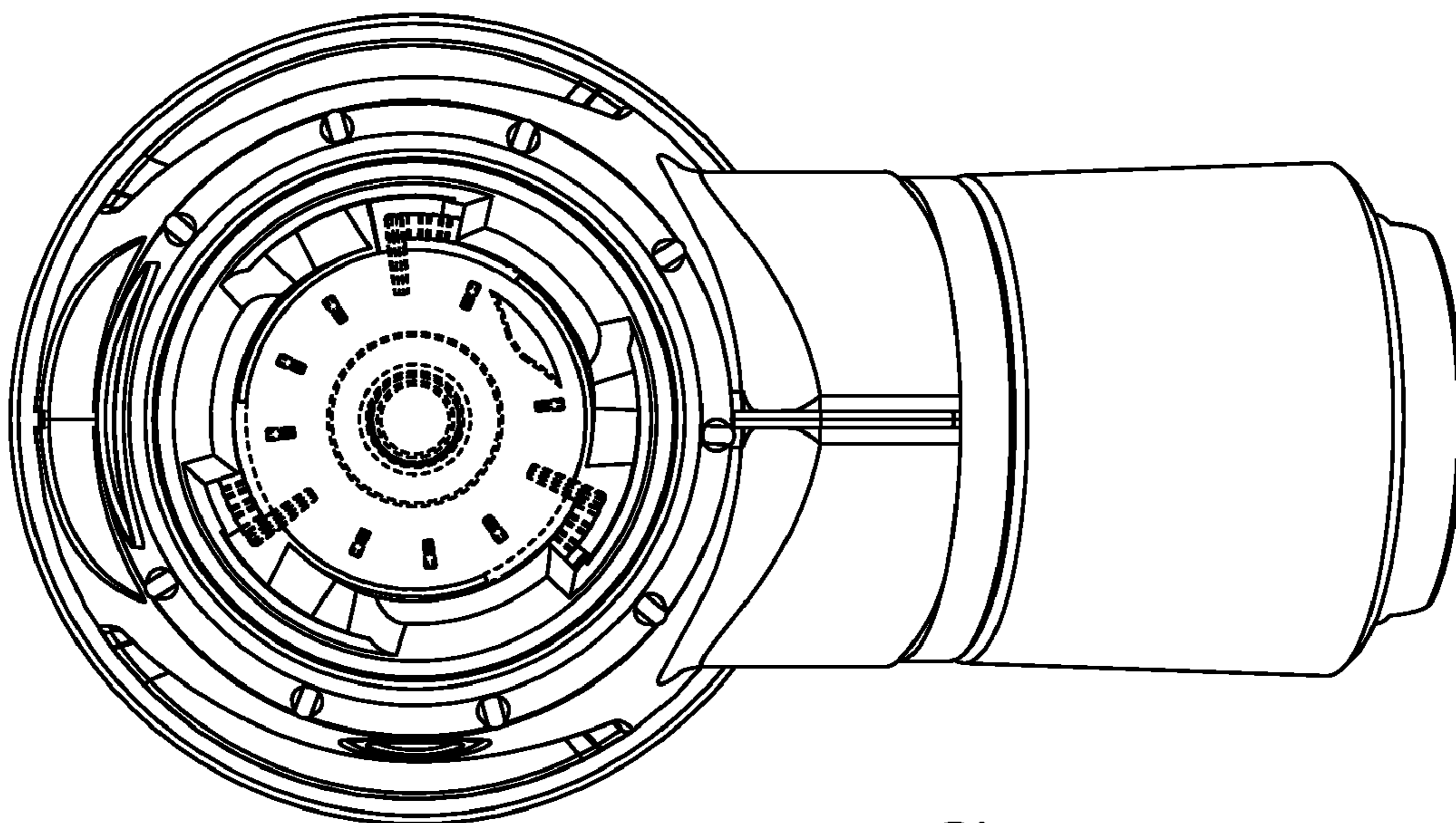


FIG. 5

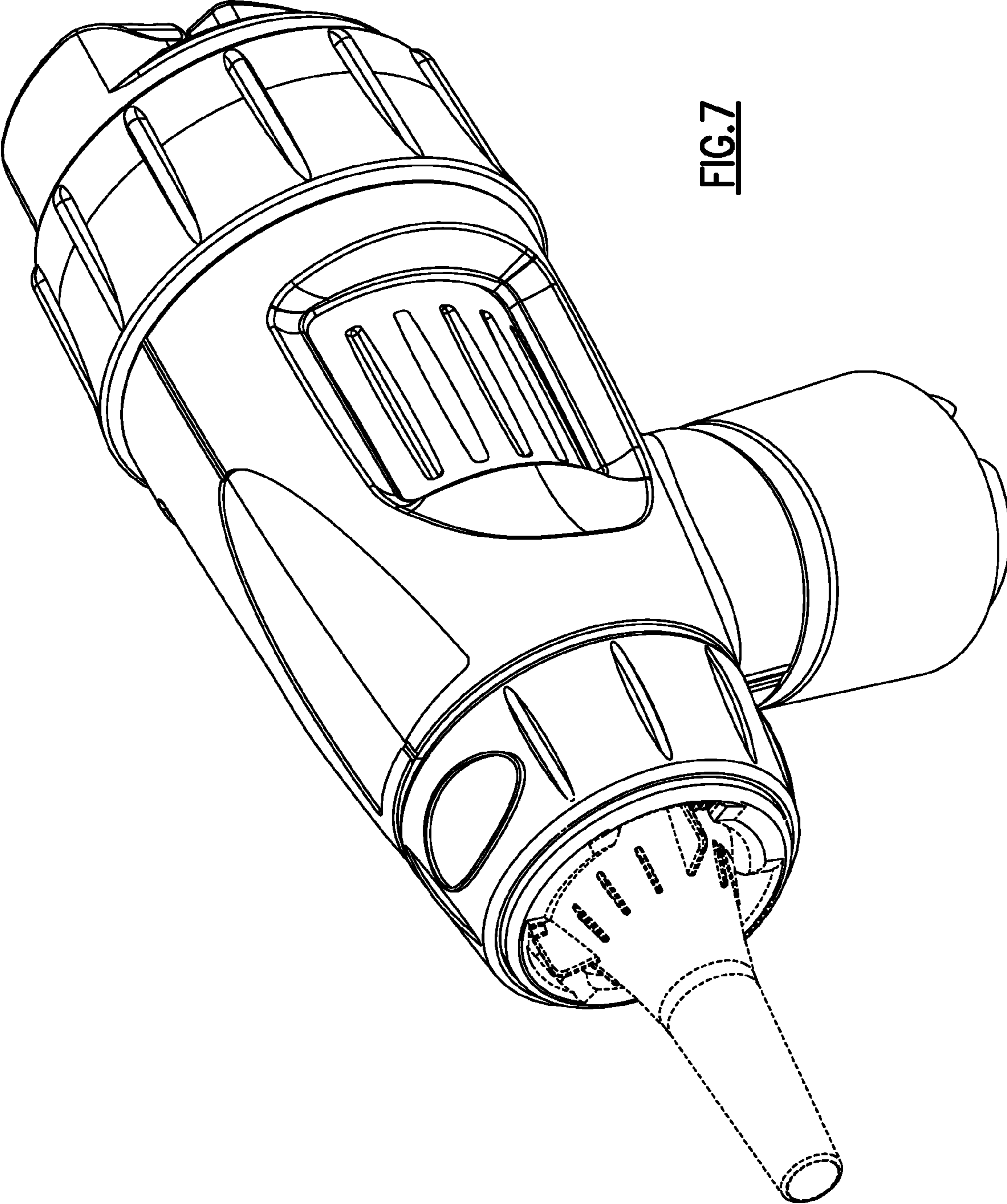


FIG. 7

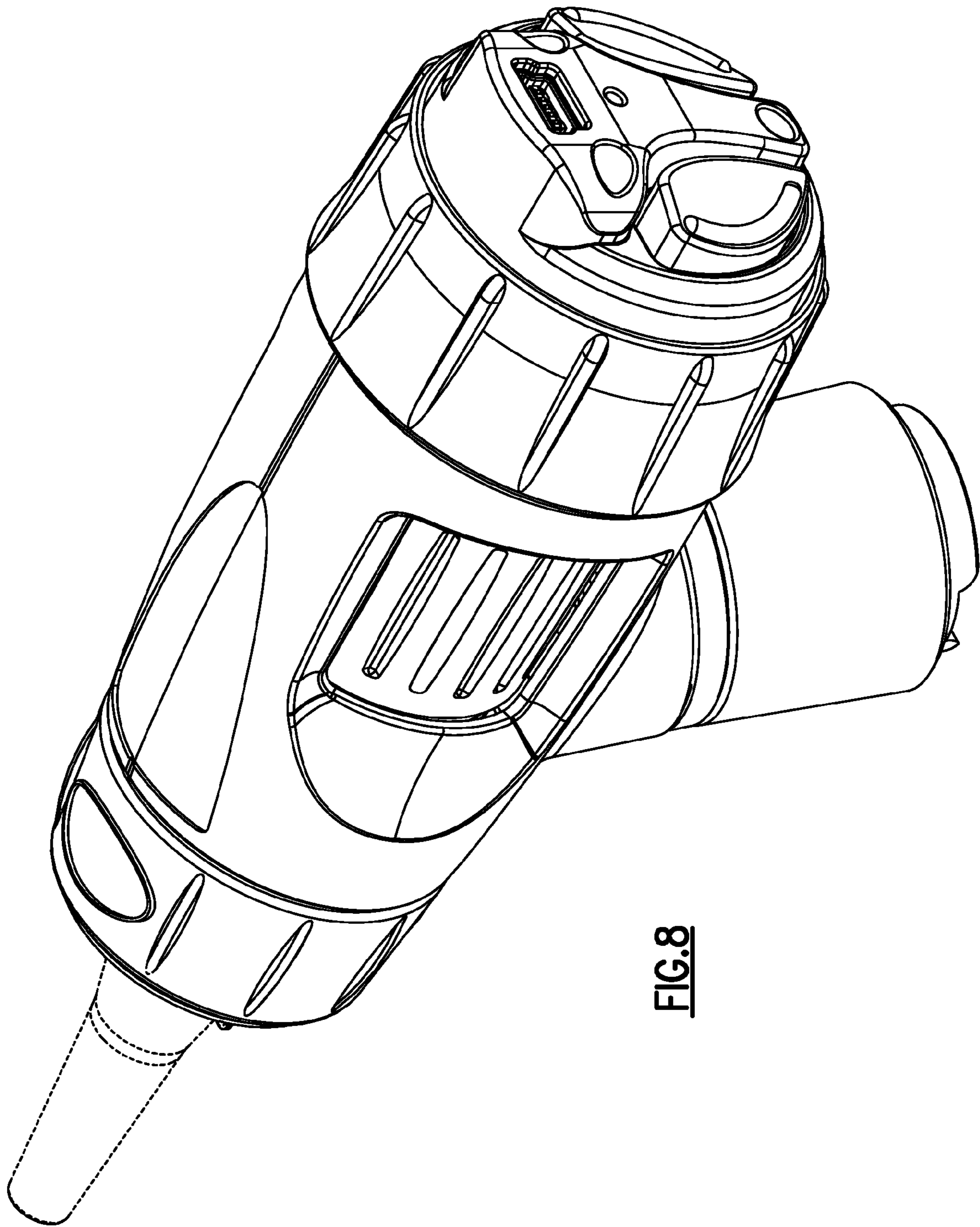


FIG. 8