

US00D598544S

(12) **United States Design Patent**
Gaab et al.

(10) **Patent No.:** **US D598,544 S**

(45) **Date of Patent:** **** Aug. 18, 2009**

(54) **MEDICAL INSTRUMENT**

(75) Inventors: **Michael Gaab**, Hanover (DE); **Rainer Hermle**, Gosheim (DE)

(73) Assignee: **Karl Storz GmbH & Co. KG** (DE)

(**) Term: **14 Years**

(21) Appl. No.: **29/320,242**

(22) Filed: **Jun. 24, 2008**

(30) **Foreign Application Priority Data**

Dec. 26, 2007 (EM) 000850375

(51) **LOC (9) Cl.** **24-02**

(52) **U.S. Cl.** **D24/135; D24/138**

(58) **Field of Classification Search** D24/135,
D24/143, 146, 147, 140, 133, 128, 129, 137,
D24/138; 604/184; 606/144; 600/164, 113,
600/135, 156, 138, 121, 153, 920, 131, 102,
600/114; 385/117

See application file for complete search history.

(56) **References Cited**

U.S. PATENT DOCUMENTS

5,383,860 A * 1/1995 Lau 604/167.03
5,545,150 A * 8/1996 Danks et al. 604/256

5,779,697 A * 7/1998 Glowa et al. 606/185
5,843,031 A * 12/1998 Hermann et al. 604/95.01
D434,148 S * 11/2000 Sauer et al. D24/146
D537,941 S * 3/2007 Haberland et al. D24/143
2008/0064929 A1 * 3/2008 Wiedenbein 600/131

* cited by examiner

Primary Examiner—Charles A Rademaker

Assistant Examiner—Christopher Lee

(74) *Attorney, Agent, or Firm*—St. Onge Steward Johnston & Reens LLC

(57) **CLAIM**

The ornamental design for a medical instrument, as shown and described.

DESCRIPTION

FIG. 1 is a front isometric view of a medical instrument in accordance with the new design;

FIG. 2 is a right side view thereof;

FIG. 3 is a left side view thereof;

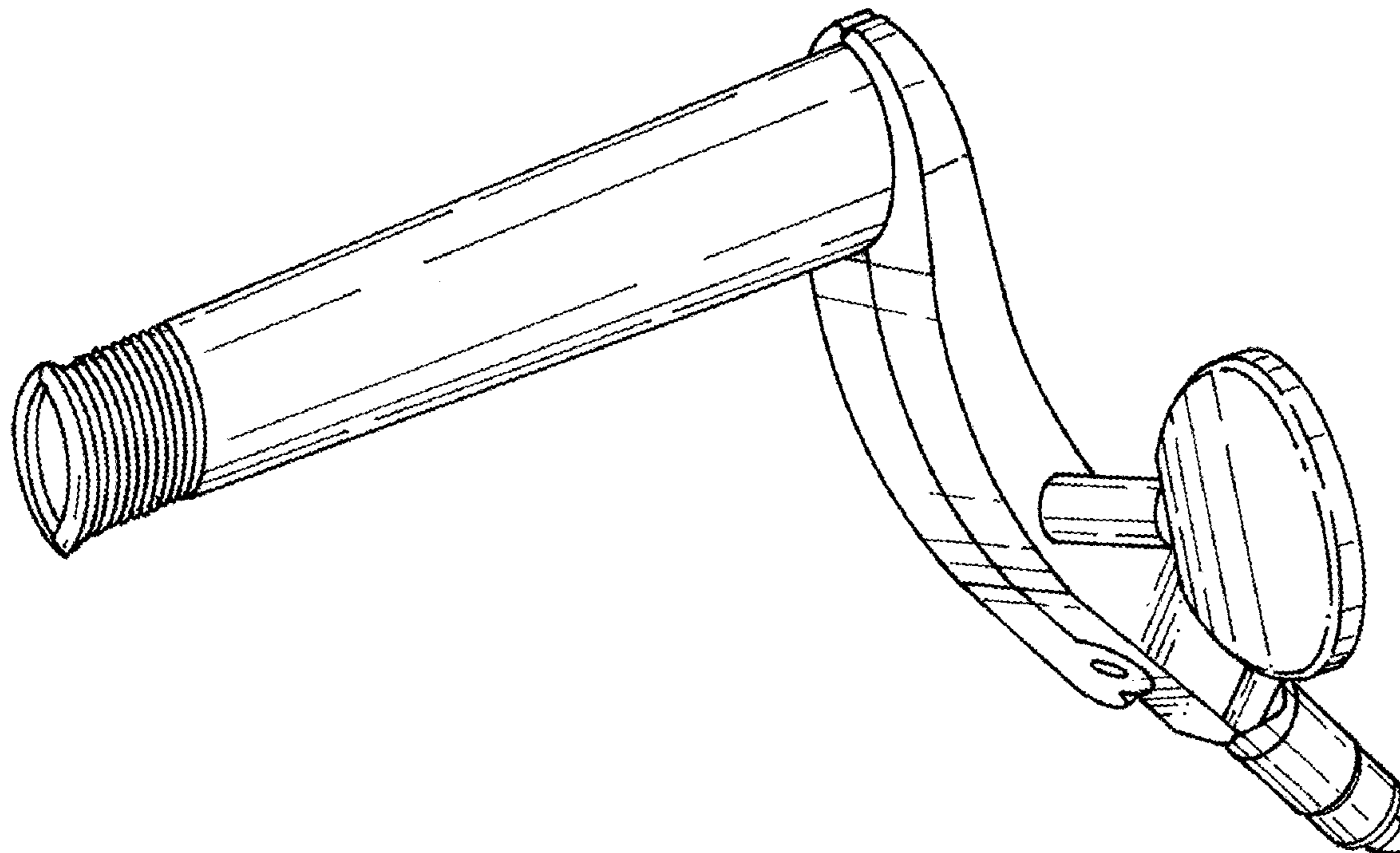
FIG. 4 is a top view thereof;

FIG. 5 is a bottom view thereof;

FIG. 6 is a rear view thereof; and,

FIG. 7 is a front view thereof.

1 Claim, 5 Drawing Sheets



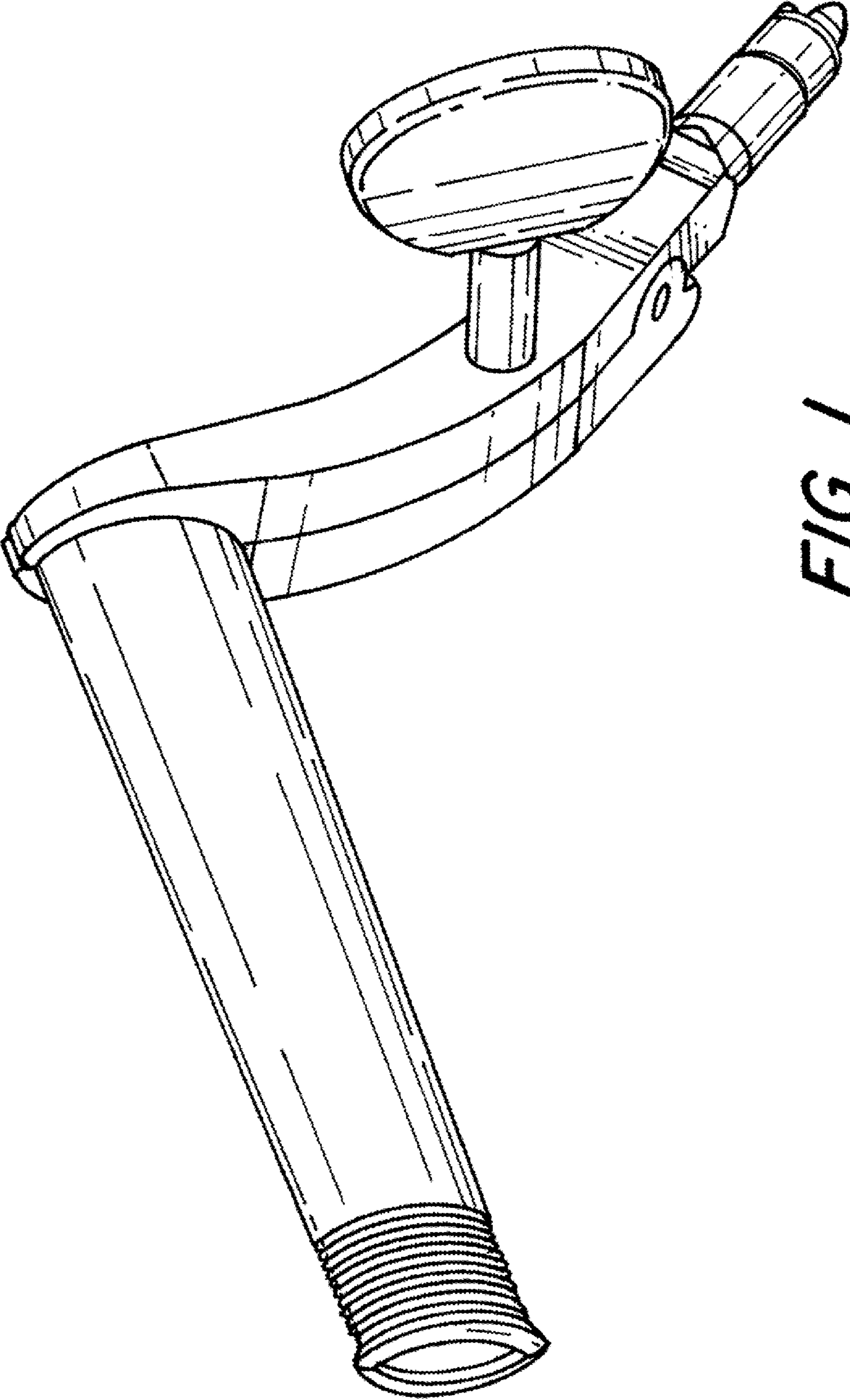


FIG. 1

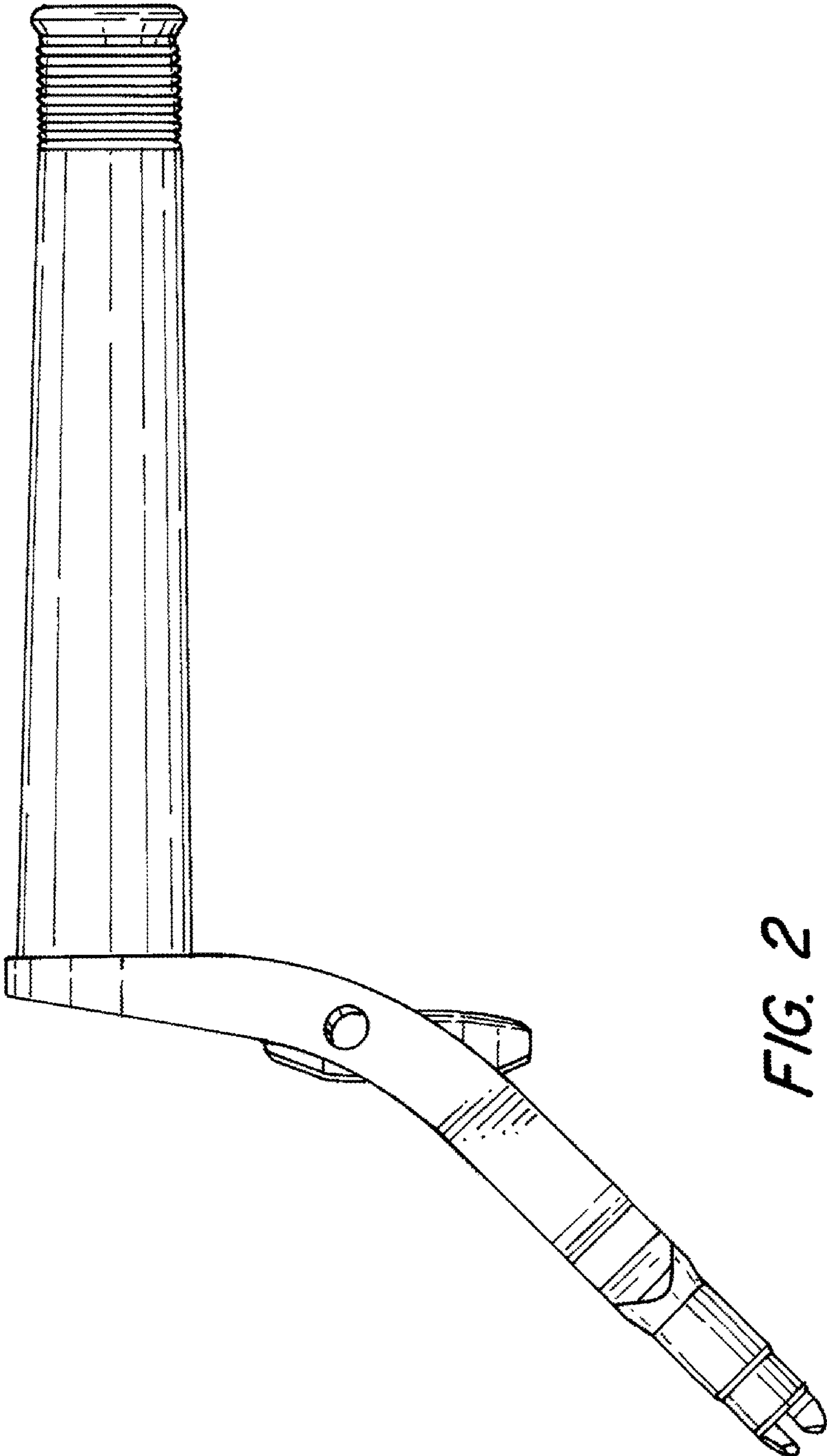


FIG. 2

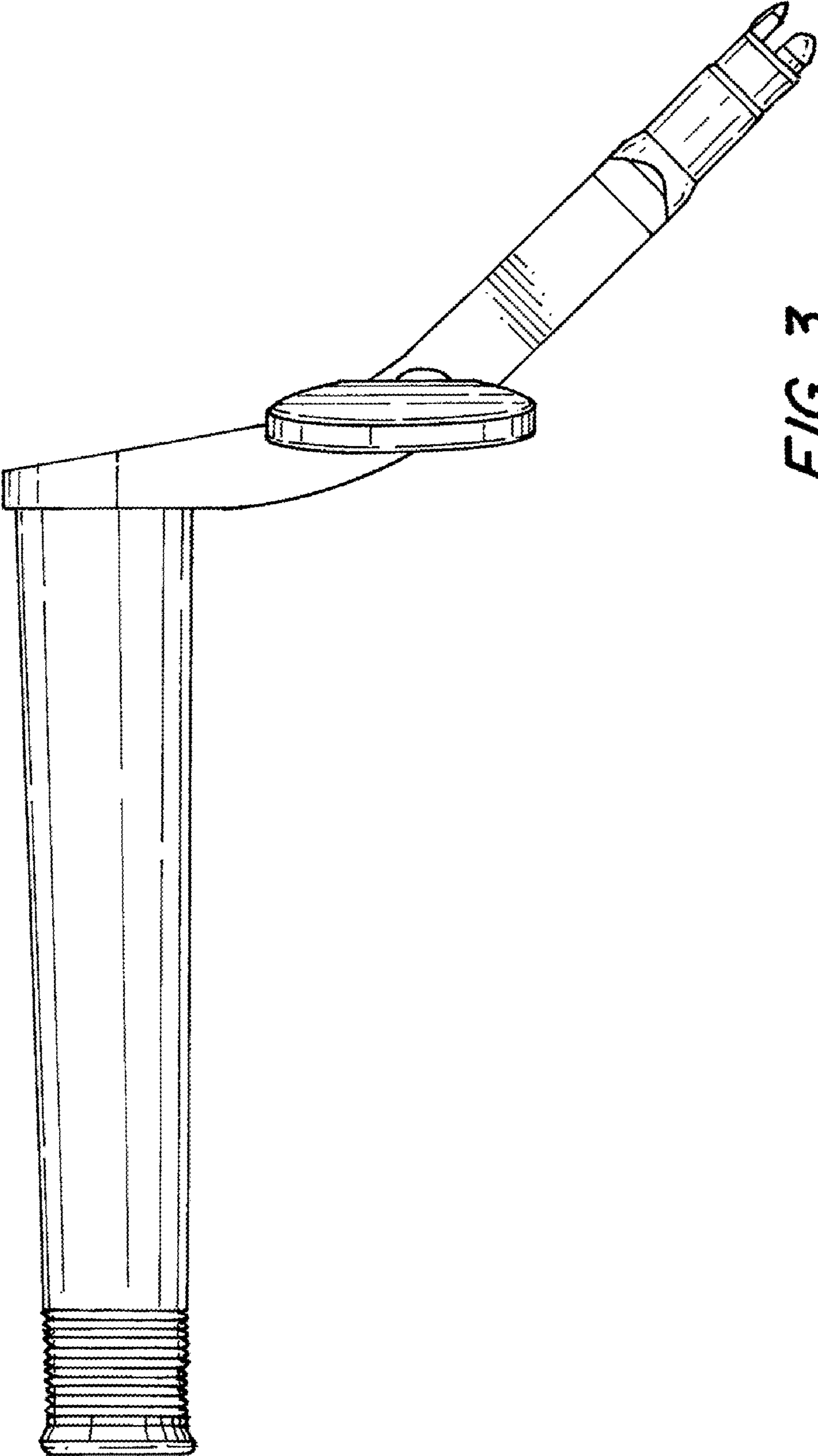
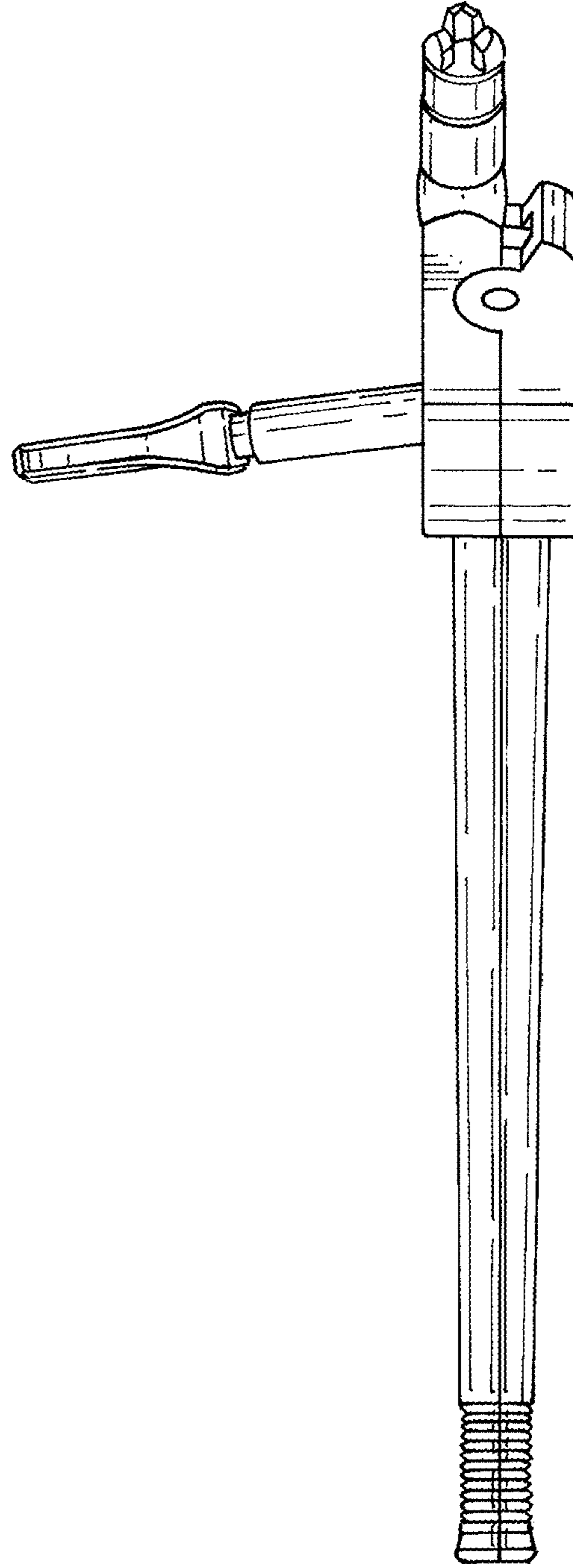
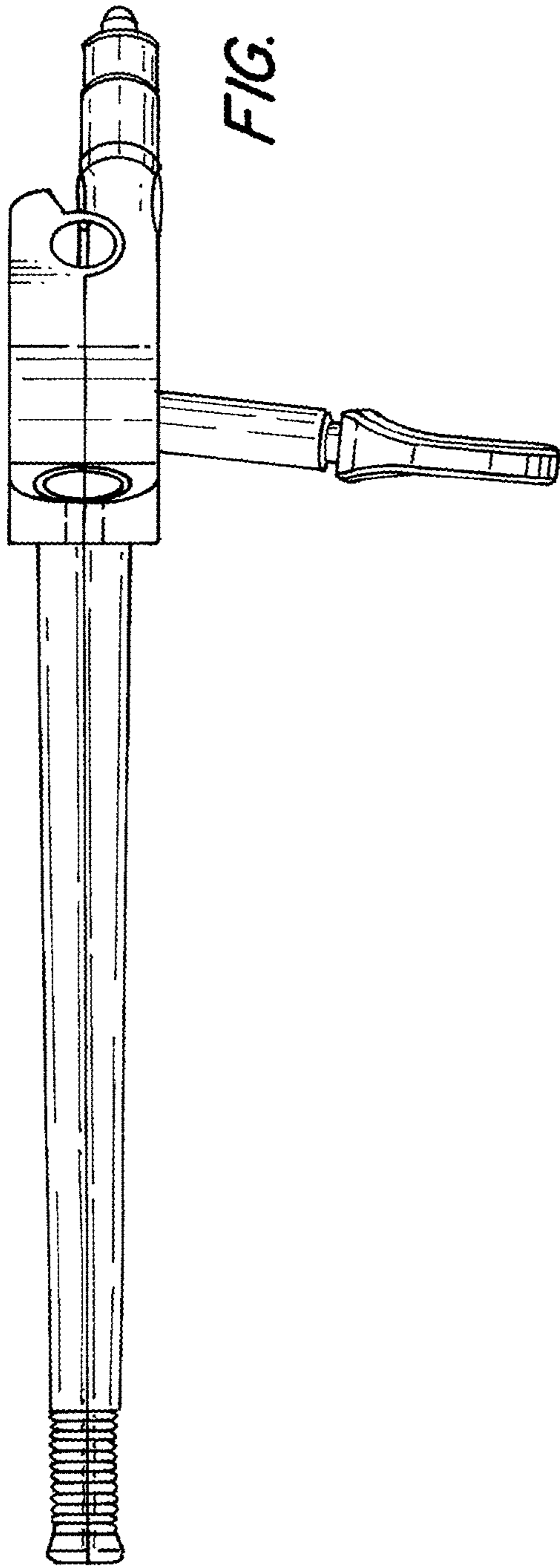


FIG. 3



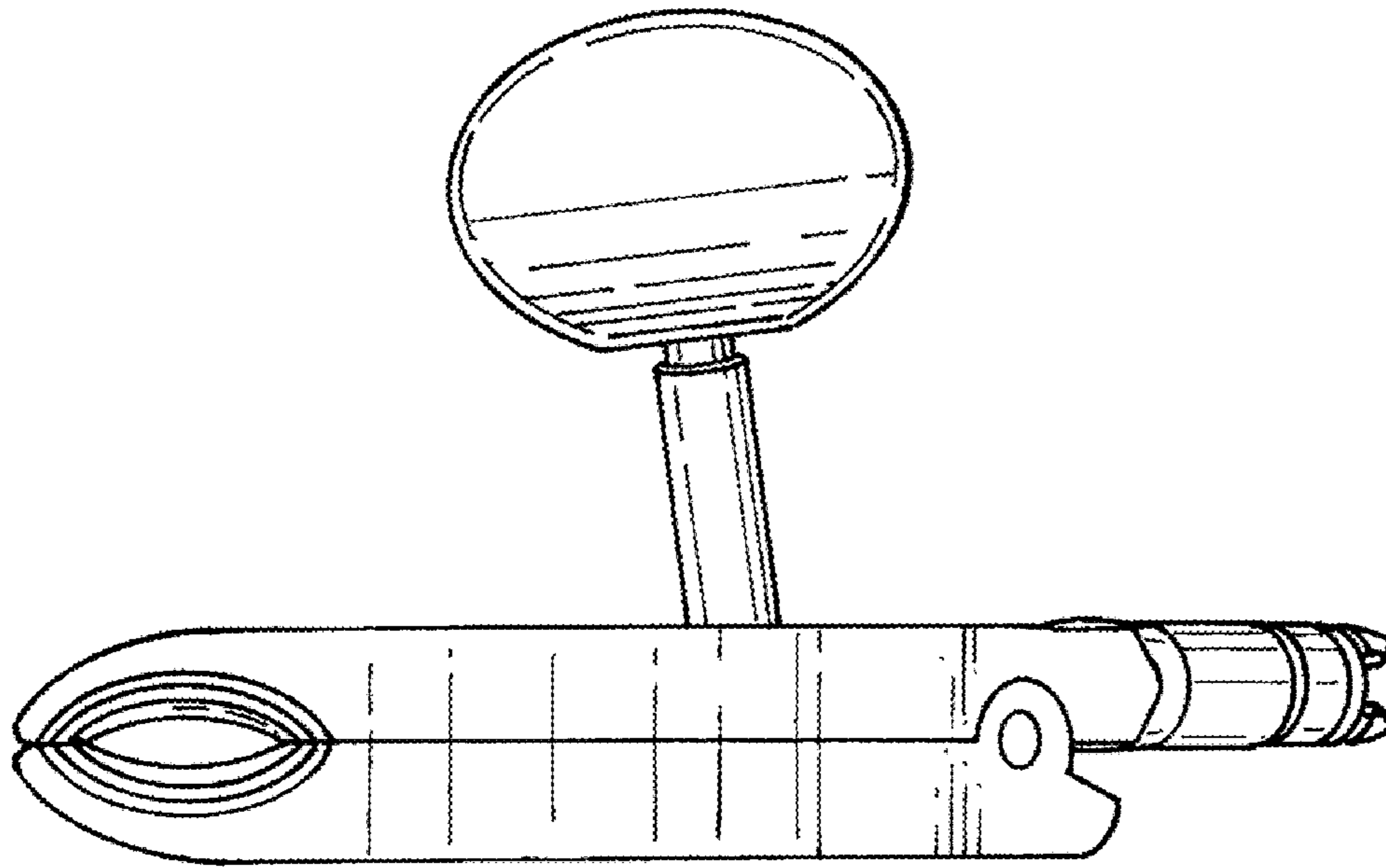


FIG. 7

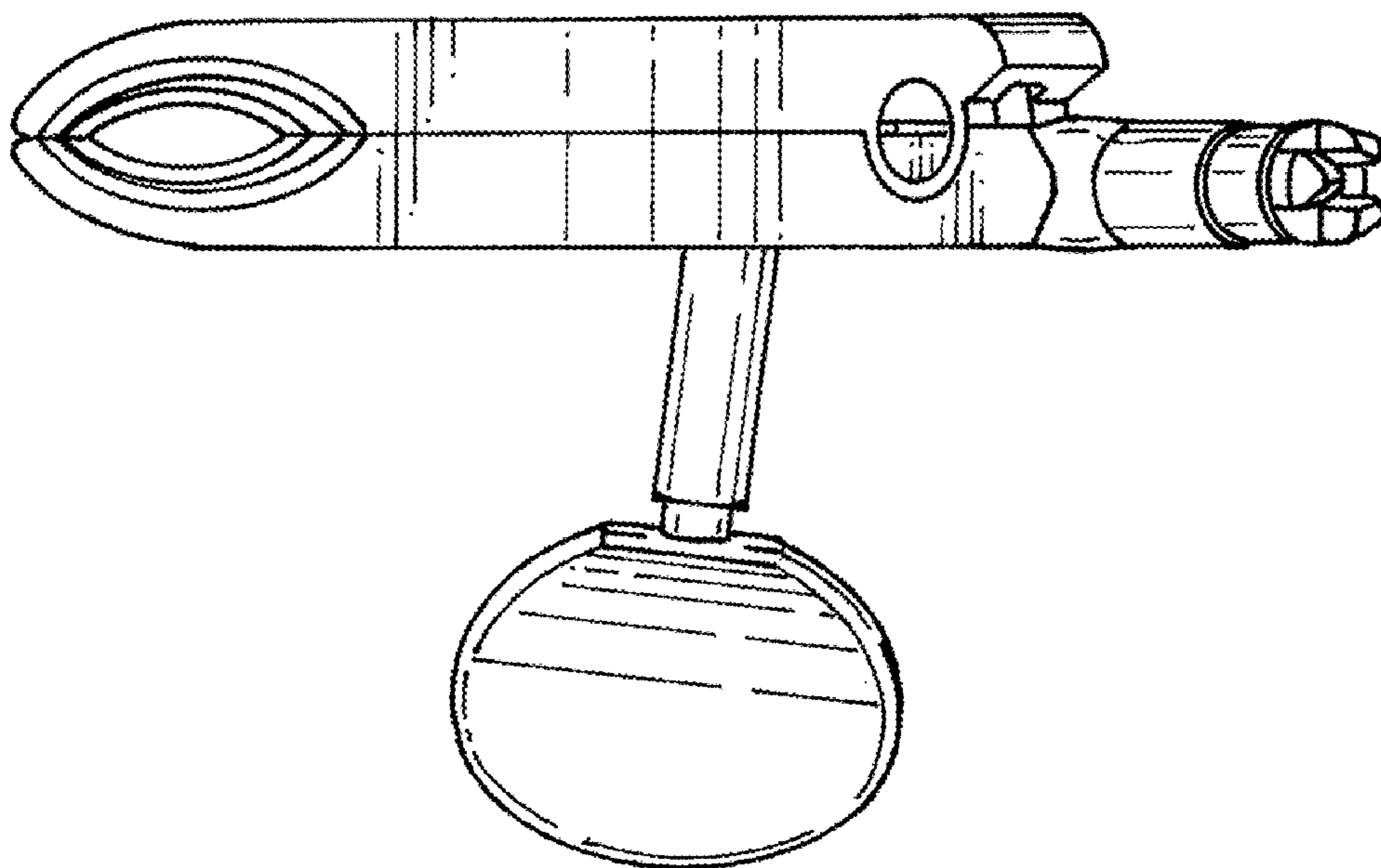


FIG. 6