



US00D598542S

(12) **United States Design Patent**
Willis

(10) **Patent No.:** **US D598,542 S**

(45) **Date of Patent:** **** Aug. 18, 2009**

(54) **INHALER-MODULE HOLDER**

(76) Inventor: **Hughlet L. Willis**, 1266 W. Wabash St.,
Tucson, AZ (US) 85705

(**) Term: **14 Years**

(21) Appl. No.: **29/327,957**

(22) Filed: **Nov. 14, 2008**

(51) **LOC (9) Cl.** **24-02**

(52) **U.S. Cl.** **D24/128**

(58) **Field of Classification Search** D24/112,
D24/128; 128/200.23, 200.24, 200.16, 200.18,
128/200.14, 200.25; 248/229.13, 298
See application file for complete search history.

(56) **References Cited**

U.S. PATENT DOCUMENTS

D286,816 S *	11/1986	Newell	D24/110
D418,600 S *	1/2000	Haerle	D24/128
D456,074 S *	4/2002	McCurry	D24/110
D461,239 S *	8/2002	Cassidy	D24/110
7,082,943 B1 *	8/2006	Clark	128/200.23
2006/0032495 A1 *	2/2006	Fernandez	128/200.23
2006/0107949 A1 *	5/2006	Davies et al.	128/200.23

2007/0119450 A1* 5/2007 Wharton et al. 128/200.23

* cited by examiner

Primary Examiner—T. Chase Nelson

Assistant Examiner—Eric L Goodman

(74) *Attorney, Agent, or Firm*—Dale F. Regelman; Quarles & Brady LLP

(57) **CLAIM**

The ornamental design for an inhaler-module holder, as shown and described.

DESCRIPTION

FIG. 1 is a perspective view of Applicant's inhaler-module holder;

FIG. 2 is a rear view thereof;

FIG. 3 is a side view thereof;

FIG. 4 is a top view thereof; and,

FIG. 5 is a bottom view thereof.

The broken line showing of the inhaler in FIG. 1 is included for the purpose of illustrating environmental structure and forms no part of the claimed design.

1 Claim, 2 Drawing Sheets

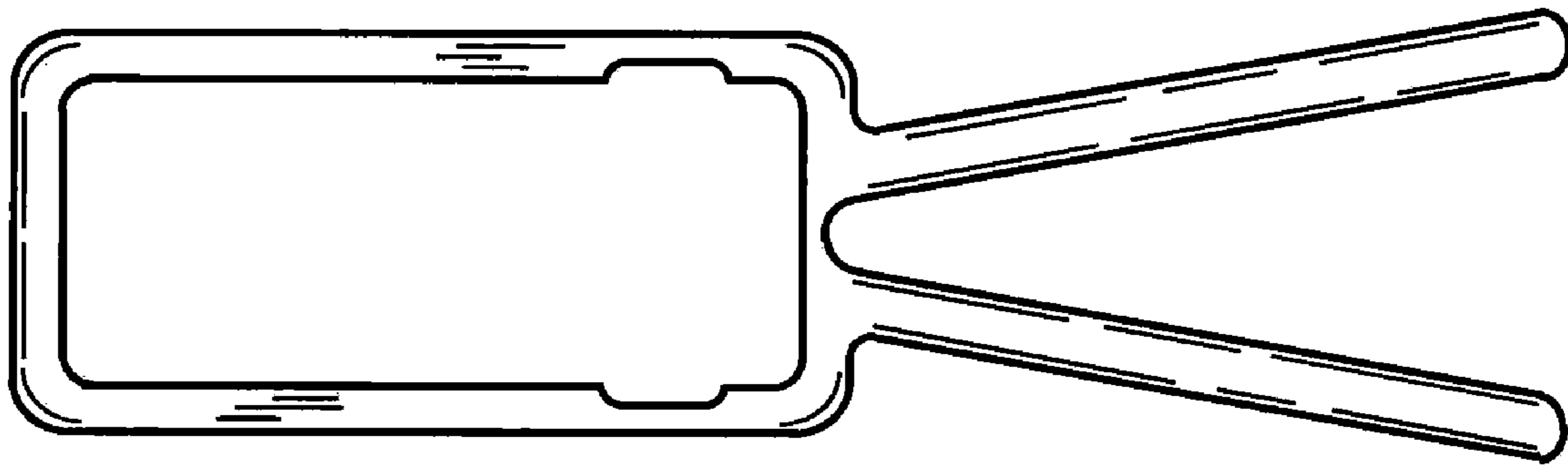


FIG. 1

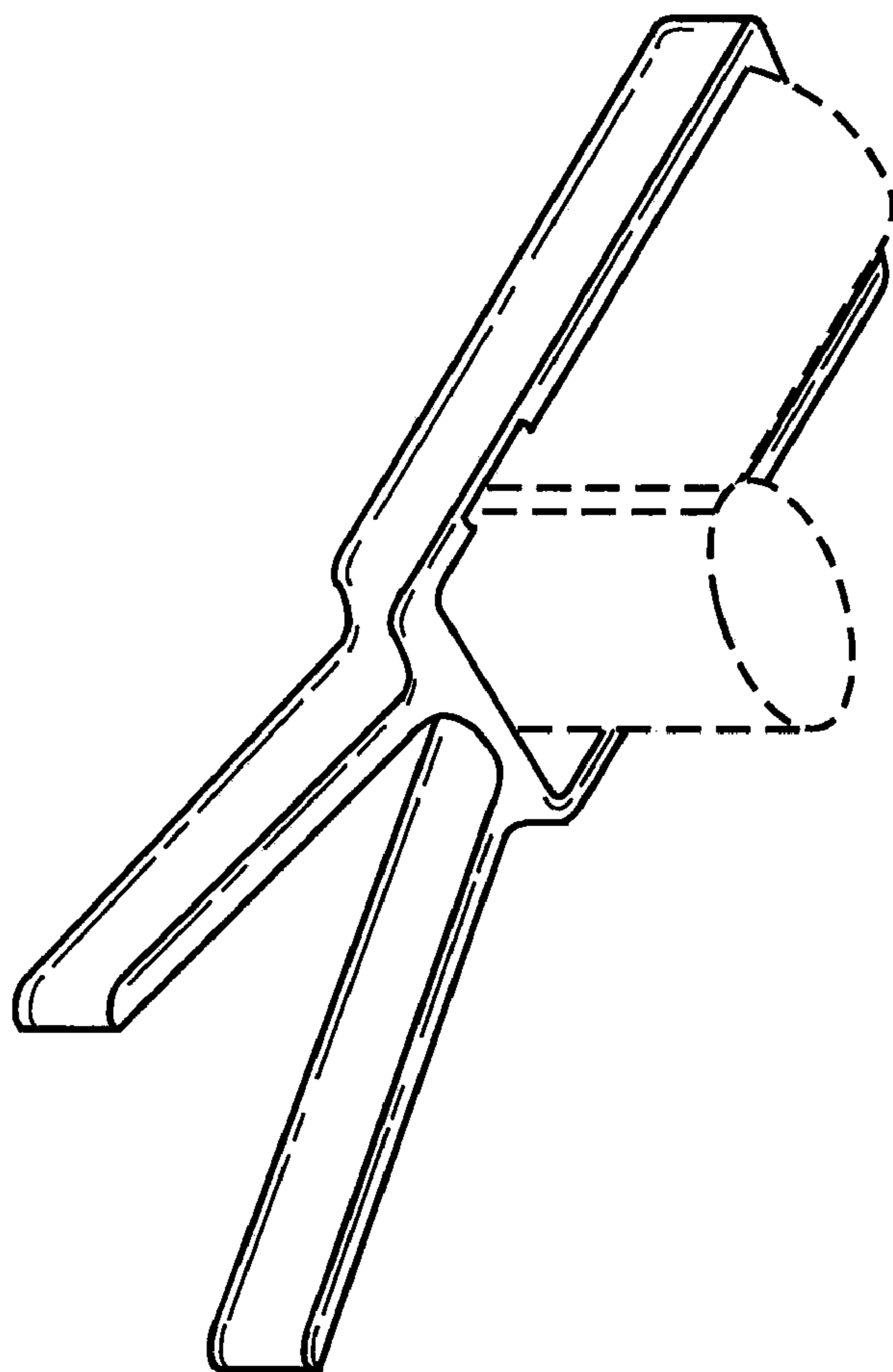


FIG. 2

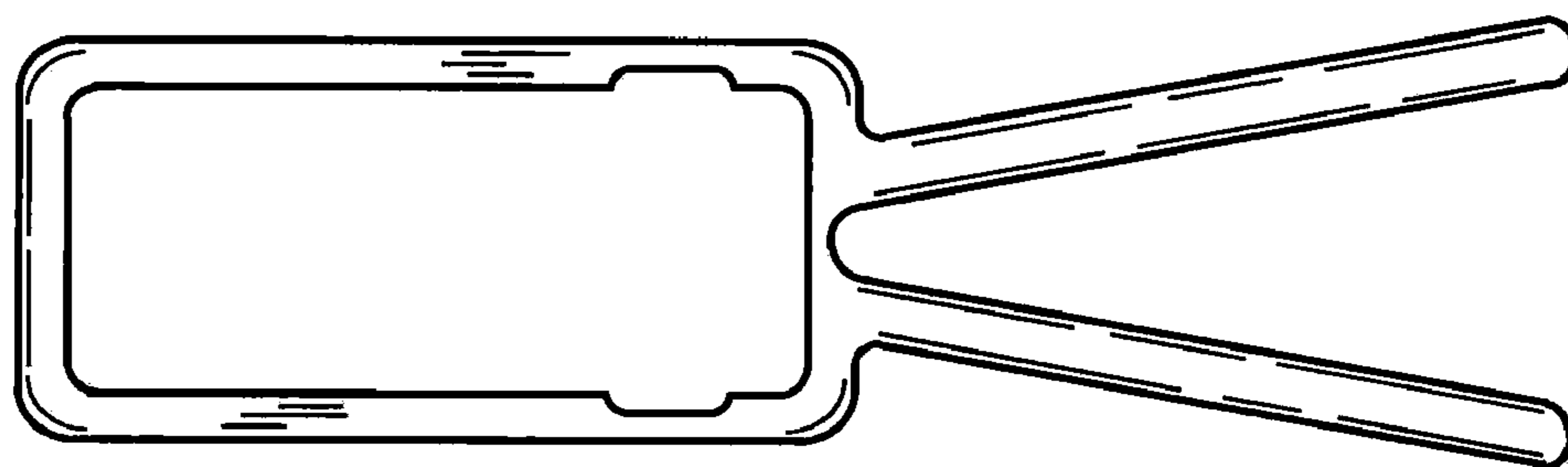


FIG. 3



FIG. 4

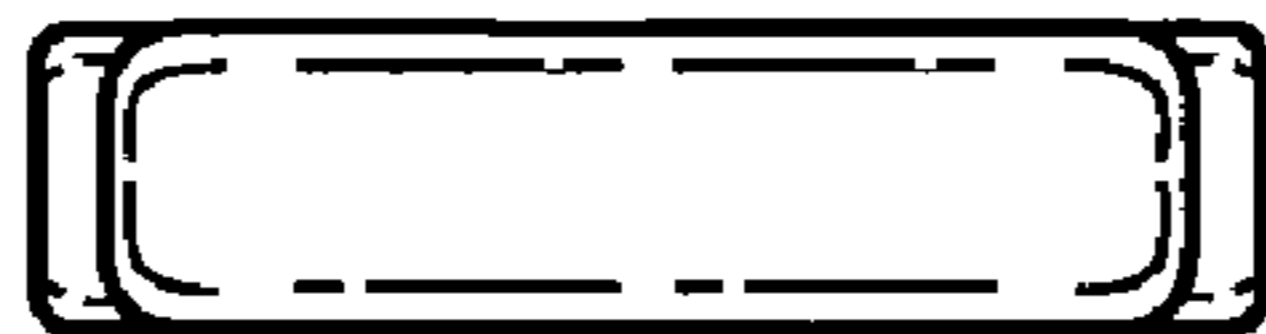


FIG. 5

