



US00D598537S

(12) **United States Design Patent**
Nashed

(10) **Patent No.:** **US D598,537 S**

(45) **Date of Patent:** **** Aug. 18, 2009**

(54) **DISPOSABLE ANESTHESIA FACE MASK**

D411,297 S * 6/1999 Rosiello et al. D24/110.4
5,975,079 A 11/1999 Hellings et al.
2007/0295335 A1* 12/2007 Nashed 128/206.24

(76) Inventor: **Ramses Nashed**, 505 First Ave., South,
Tierra Verde, FL (US) 33715

(**) Term: **14 Years**

(21) Appl. No.: **29/292,759**

(22) Filed: **Oct. 29, 2007**

Related U.S. Application Data

(63) Continuation of application No. 11/809,435, filed on
Jun. 1, 2007.

(51) **LOC (9) Cl.** **29-02**

(52) **U.S. Cl.** **D24/110.1; D24/110.4**

(58) **Field of Classification Search** D24/110.1,
D24/110.4

See application file for complete search history.

(56) **References Cited**

U.S. PATENT DOCUMENTS

D285,496 S * 9/1986 Berman D24/110.4
D293,613 S * 1/1988 Wingler D24/110.1
D300,473 S * 3/1989 Roush D24/110.4
D323,908 S * 2/1992 Hollister et al. D24/110.4
D347,495 S * 5/1994 Baldwin D24/110.1
5,540,223 A * 7/1996 Starr et al. 128/205.25
D388,873 S * 1/1998 Richards et al. D24/110.4
5,738,094 A * 4/1998 Hoftman 128/206.26
D397,215 S * 8/1998 Hoftman D24/110.4

OTHER PUBLICATIONS

2-page Brochure entitled: Crystal (tm) Anesthesia Mask, published
by Koo Americas, Inc. Date unknown.

* cited by examiner

Primary Examiner—Ian Simmons
Assistant Examiner—Christopher Lee

(57) **CLAIM**

The ornamental design for a disposable anesthesia face mask,
as shown and described.

DESCRIPTION

FIG. 1 is a front elevational view of the disposable anesthesia
face mask showing my new design;

FIG. 2 is a rear elevational view thereof;

FIG. 3 is a top plan view thereof;

FIG. 4 is a bottom plan view thereof;

FIG. 5 is a right side elevational view thereof;

FIG. 6 is a left side elevational view thereof; and,

FIG. 7 is a right side elevational view thereof showing my new
design in use with the broken line representation of a person's
face being for illustrative purposes only.

1 Claim, 4 Drawing Sheets

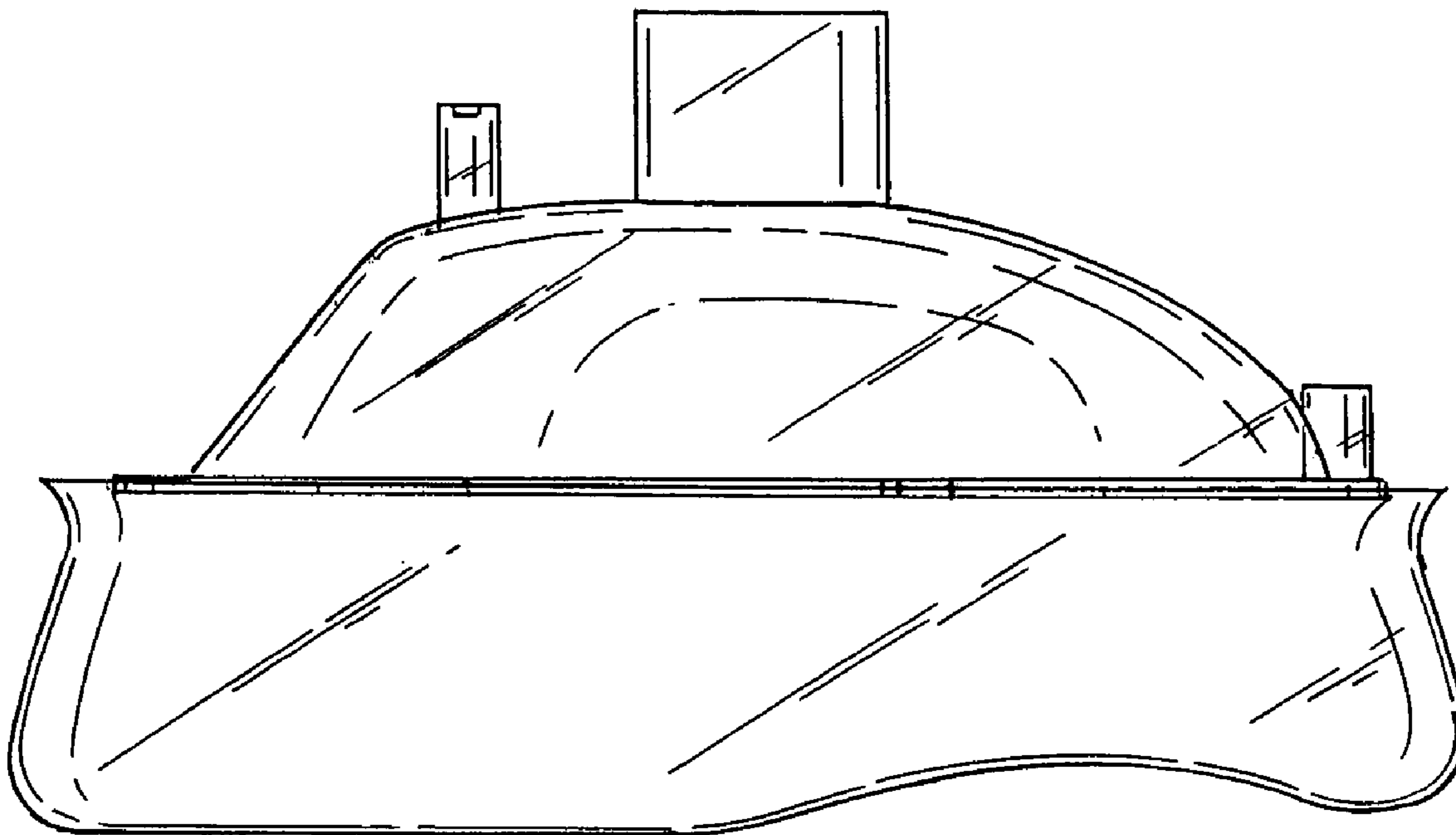


FIG. 1

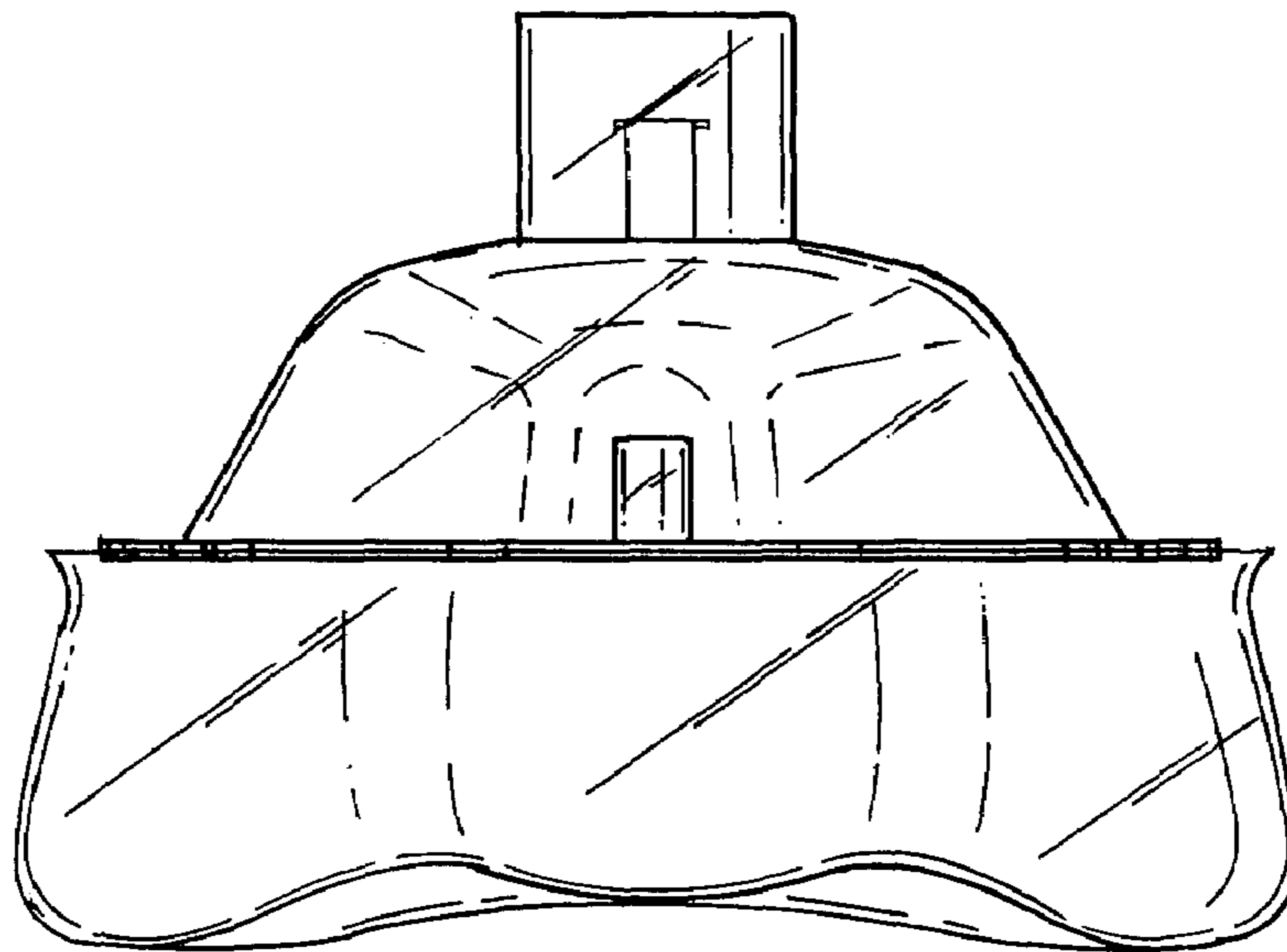
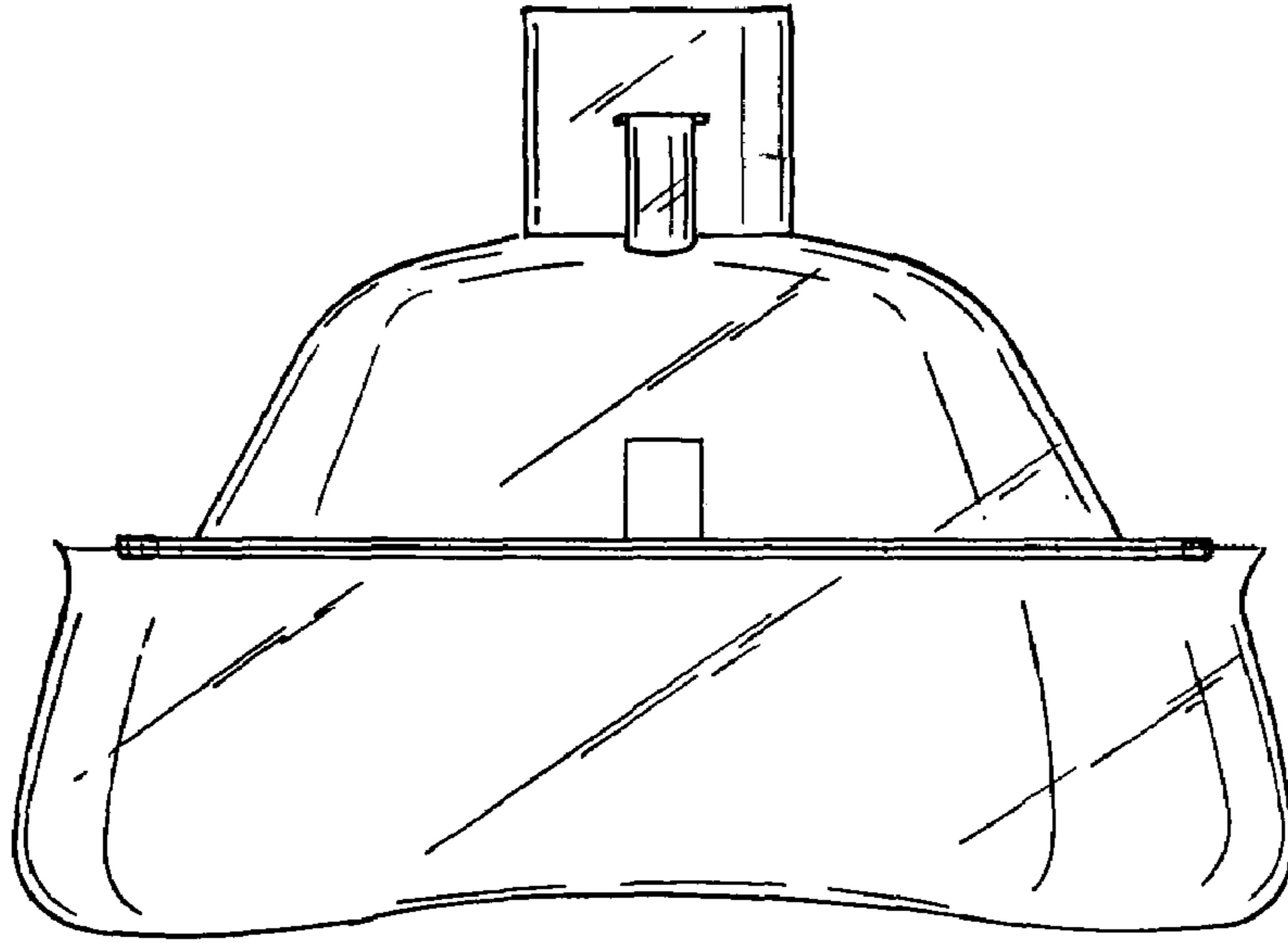


FIG. 2

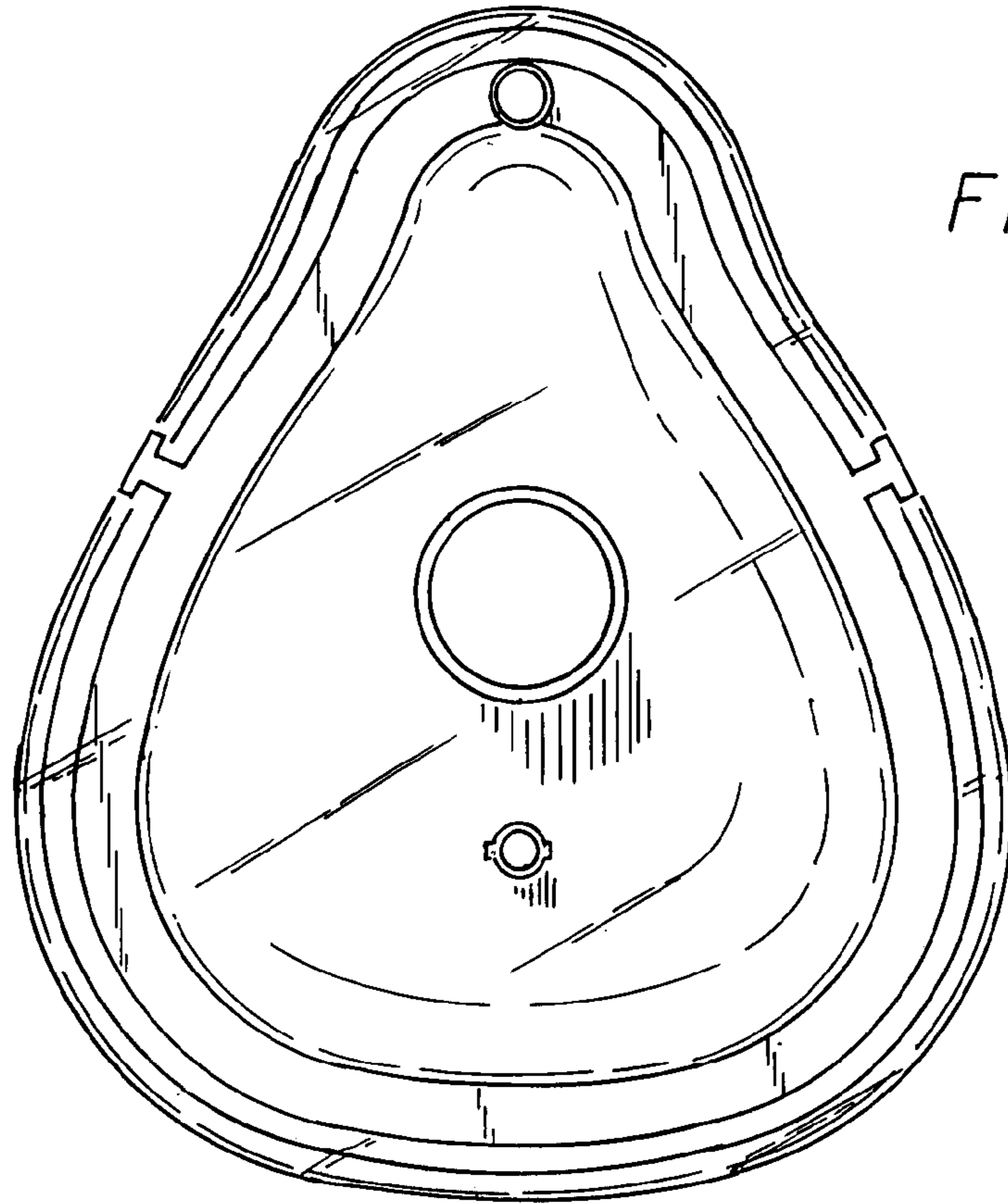


FIG 3

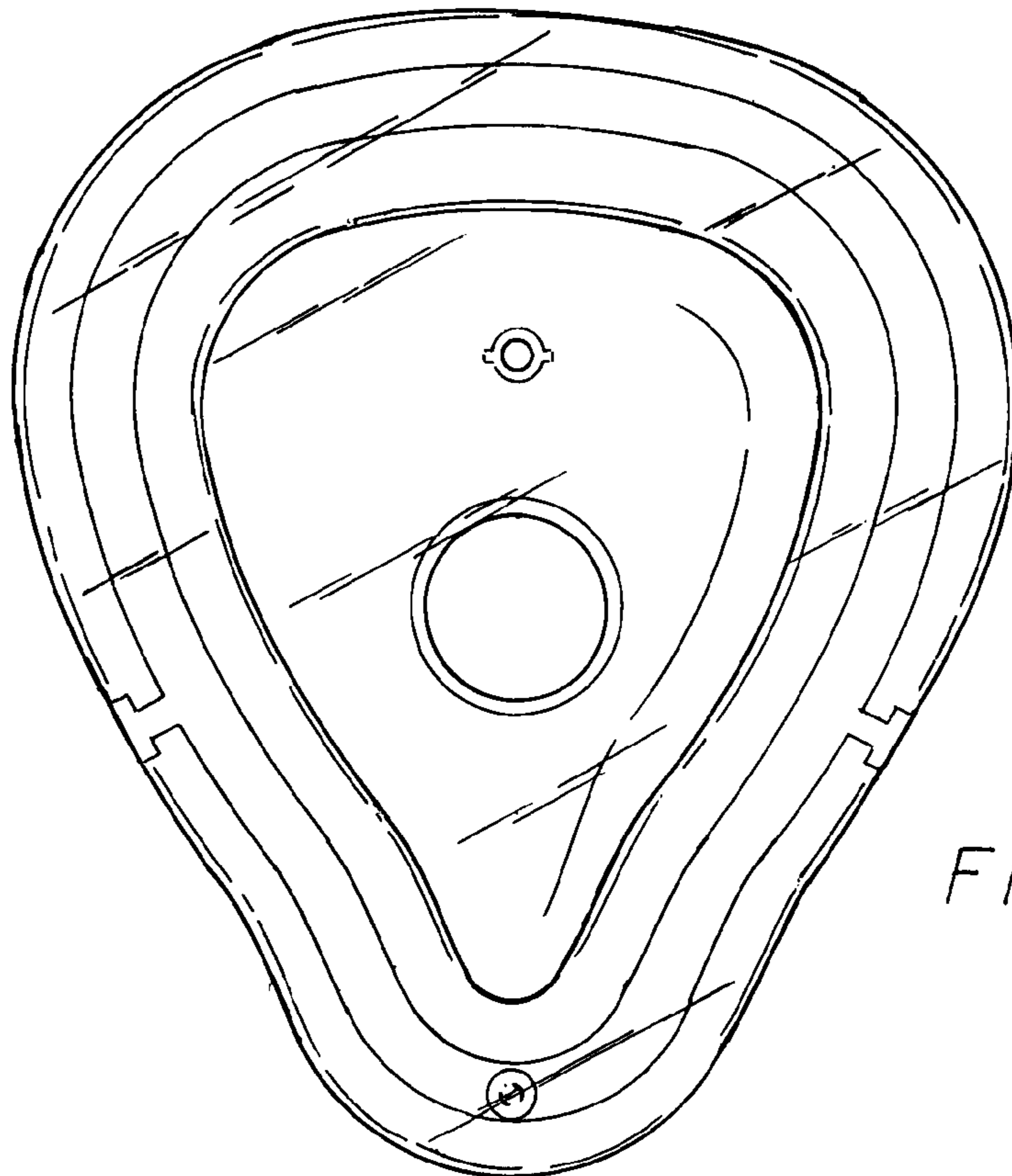


FIG 4

FIG. 5

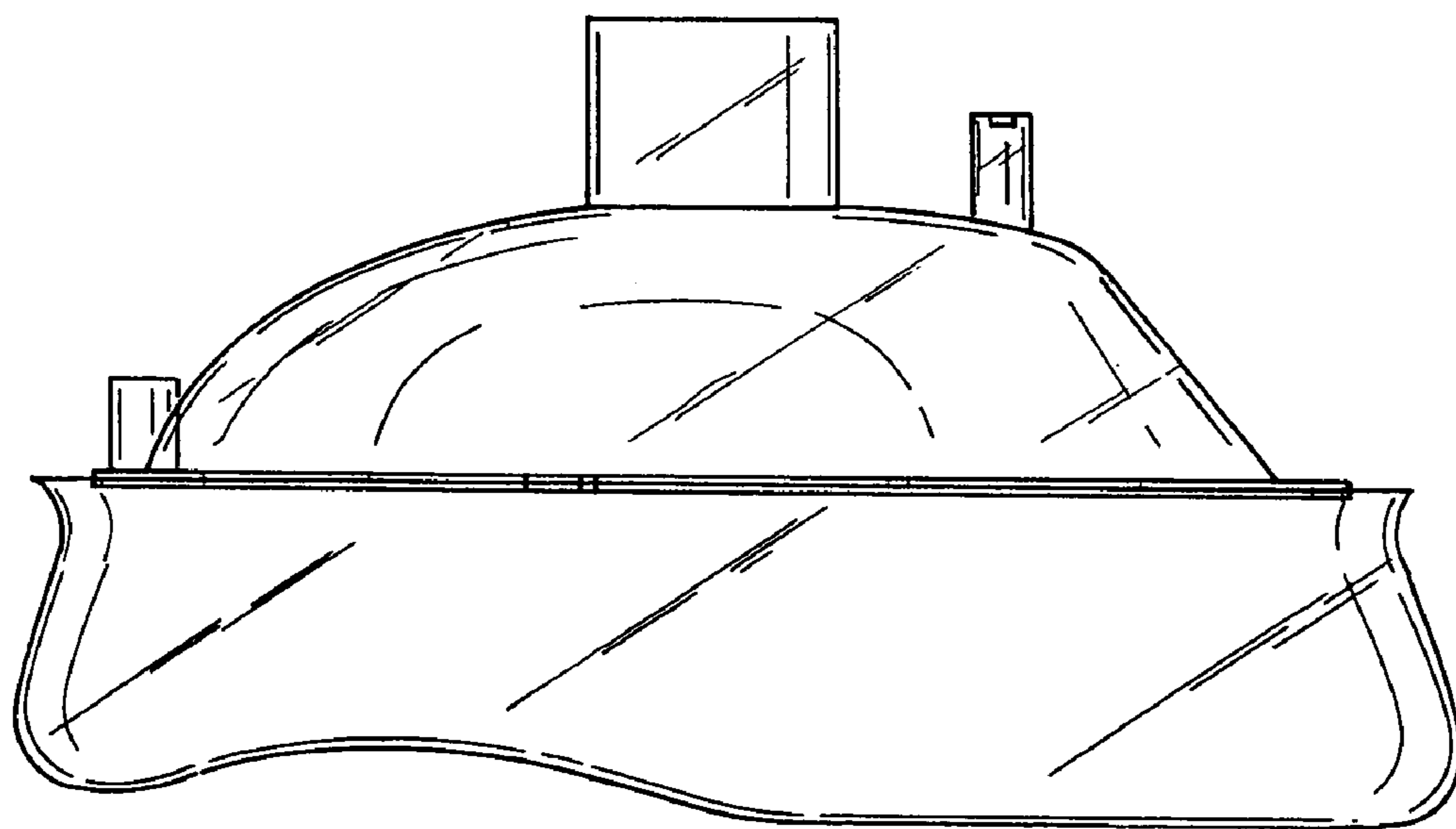
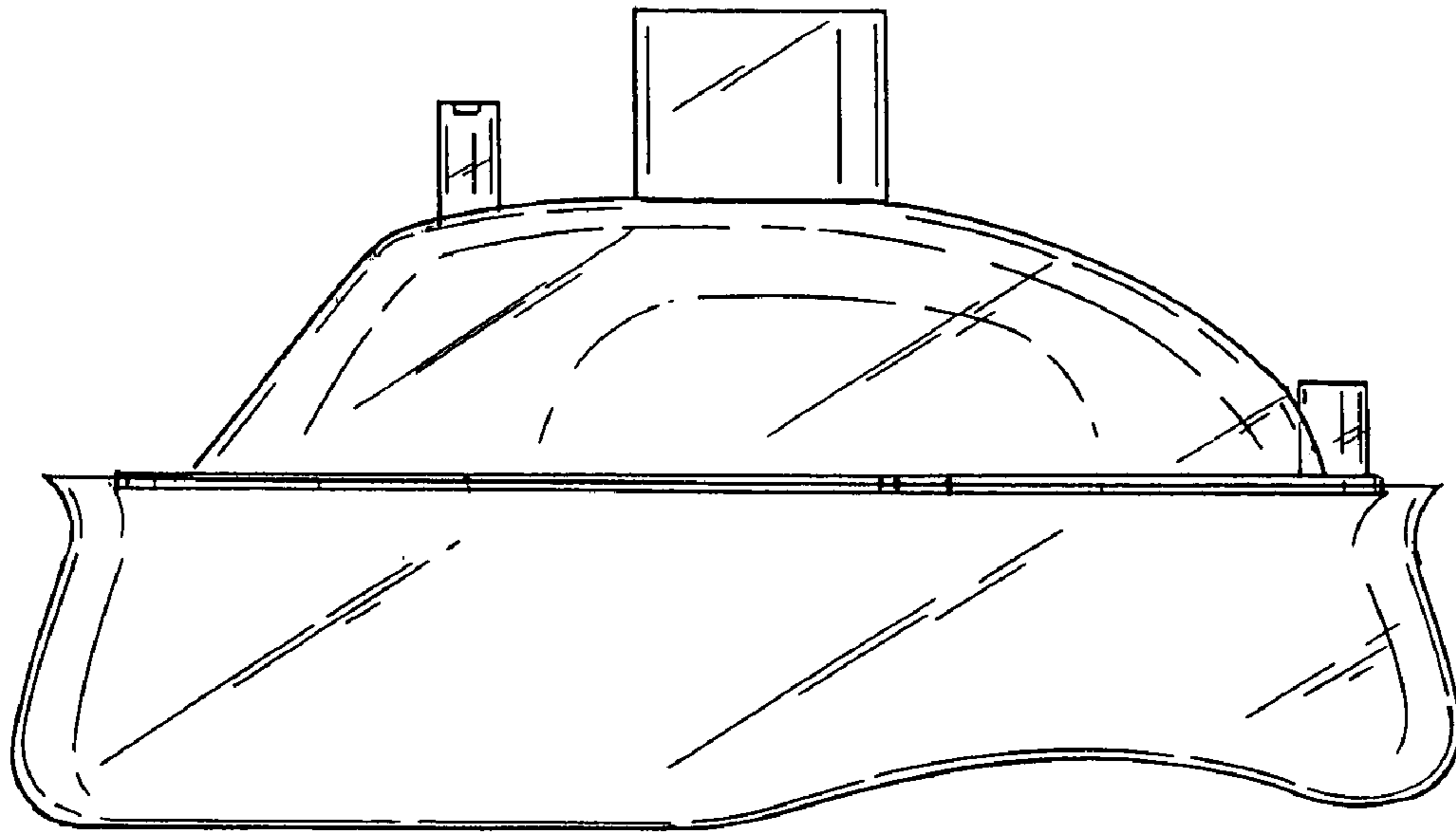


FIG. 6

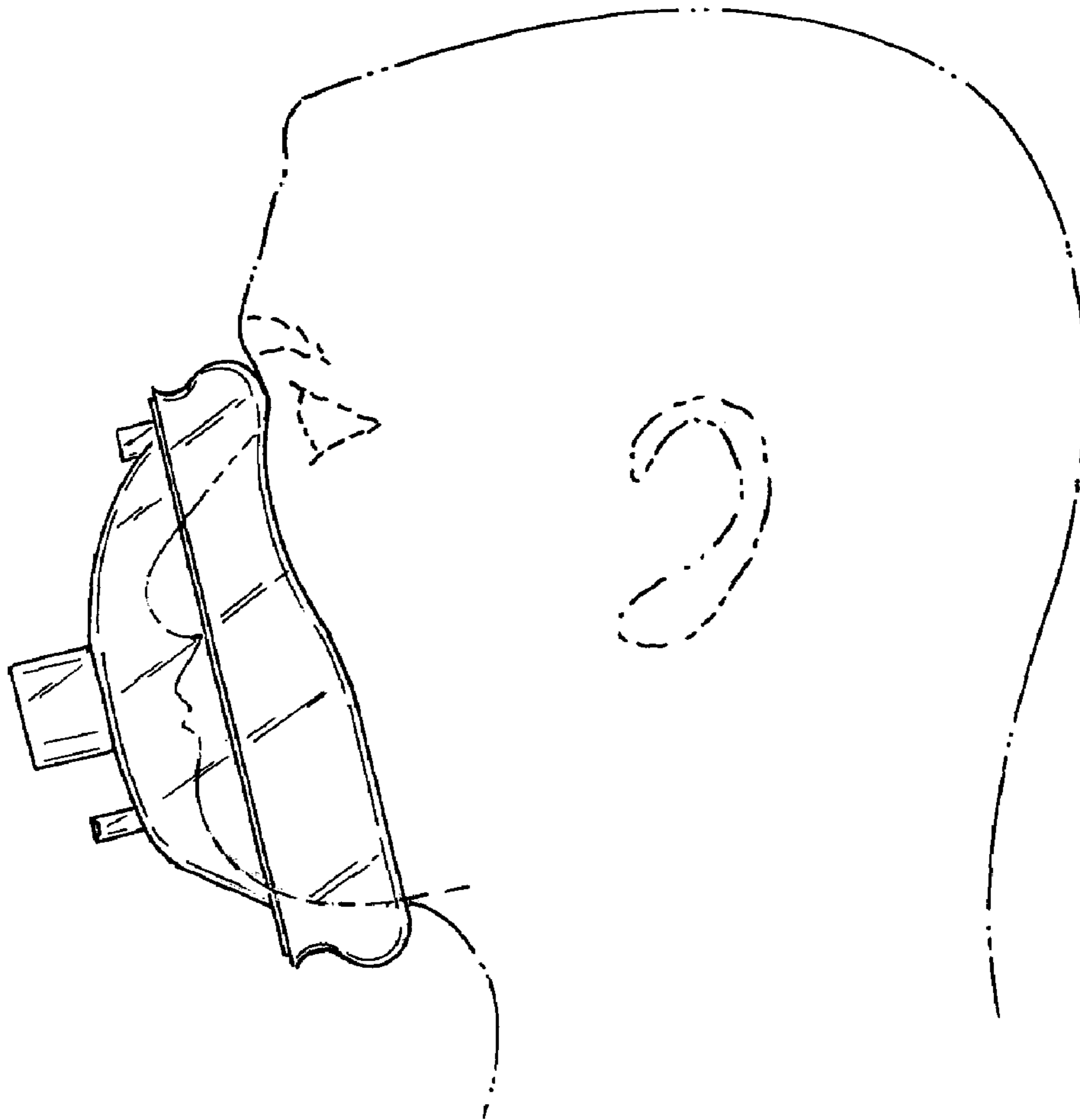


FIG 7