



US00D598533S

(12) **United States Design Patent**  
**Smith**

(10) **Patent No.:** **US D598,533 S**

(45) **Date of Patent:** **\*\* Aug. 18, 2009**

(54) **COMBINATION CEILING FAN AND LIGHT  
FIXTURE**

(75) Inventor: **Nathan Smith**, Pasadena, CA (US)

(73) Assignee: **Minka Lighting, Inc.**, Corona, CA (US)

(\*\*) Term: **14 Years**

(21) Appl. No.: **29/319,976**

(22) Filed: **Jun. 18, 2008**

(51) **LOC (9) Cl.** ..... **23-04**

(52) **U.S. Cl.** ..... **D23/377; D26/59**

(58) **Field of Classification Search** ..... D23/377,  
D23/379, 385, 411, 413; D26/59, 71, 81-86,  
D26/88, 51; 362/96

See application file for complete search history.

(56) **References Cited**

**U.S. PATENT DOCUMENTS**

D370,973 S \* 6/1996 Wu ..... D23/411  
6,158,964 A \* 12/2000 Gajewski ..... 416/244 R  
D463,020 S \* 9/2002 Liu ..... D23/377  
D529,602 S \* 10/2006 Glasbrenner ..... D23/411

**OTHER PUBLICATIONS**

Emerson Internet Catalog; Westfield; Model #CF680ORB; printed from hansenwholesale.com on May 10, 2008.

Fanimation Internet Catalog; Hubbardton Forge; Model #HF7040BZ; printed from hansenwholesale.com May 10, 2008.

Emerson Internet Catalog; Maya Zen; Model #CF750ORB; printed from hansenwholesale.com May 10, 2008.

Fanimation Internet Catalog; The Andover; Model #FP5220OB; printed from hansenwholesale.com on May 10, 2008.

MinkaAire 2007 Catalog; Iconic; Jan. 2007; pp. 140-146; Minka Lighting, Inc.; U.S.A.

The Great Outdoors 2008 Catalog; Iconic; Jan. 2008; pp. 46-47; Minka Lighting, Inc.; U.S.A.

\* cited by examiner

*Primary Examiner*—Lisa P Lichtenstein

(74) *Attorney, Agent, or Firm*—Baker & McKenzie LLP

(57) **CLAIM**

The ornamental design for a combination ceiling fan and light fixture, as shown and described.

**DESCRIPTION**

FIG. 1 is a bottom perspective view of a combination ceiling fan and light fixture in accordance with my design;

FIG. 2 is a reduced top plan view of the combination ceiling fan and light fixture in accordance with my design;

FIG. 3 is a reduced bottom plan view of the combination ceiling fan and light fixture in accordance with my design;

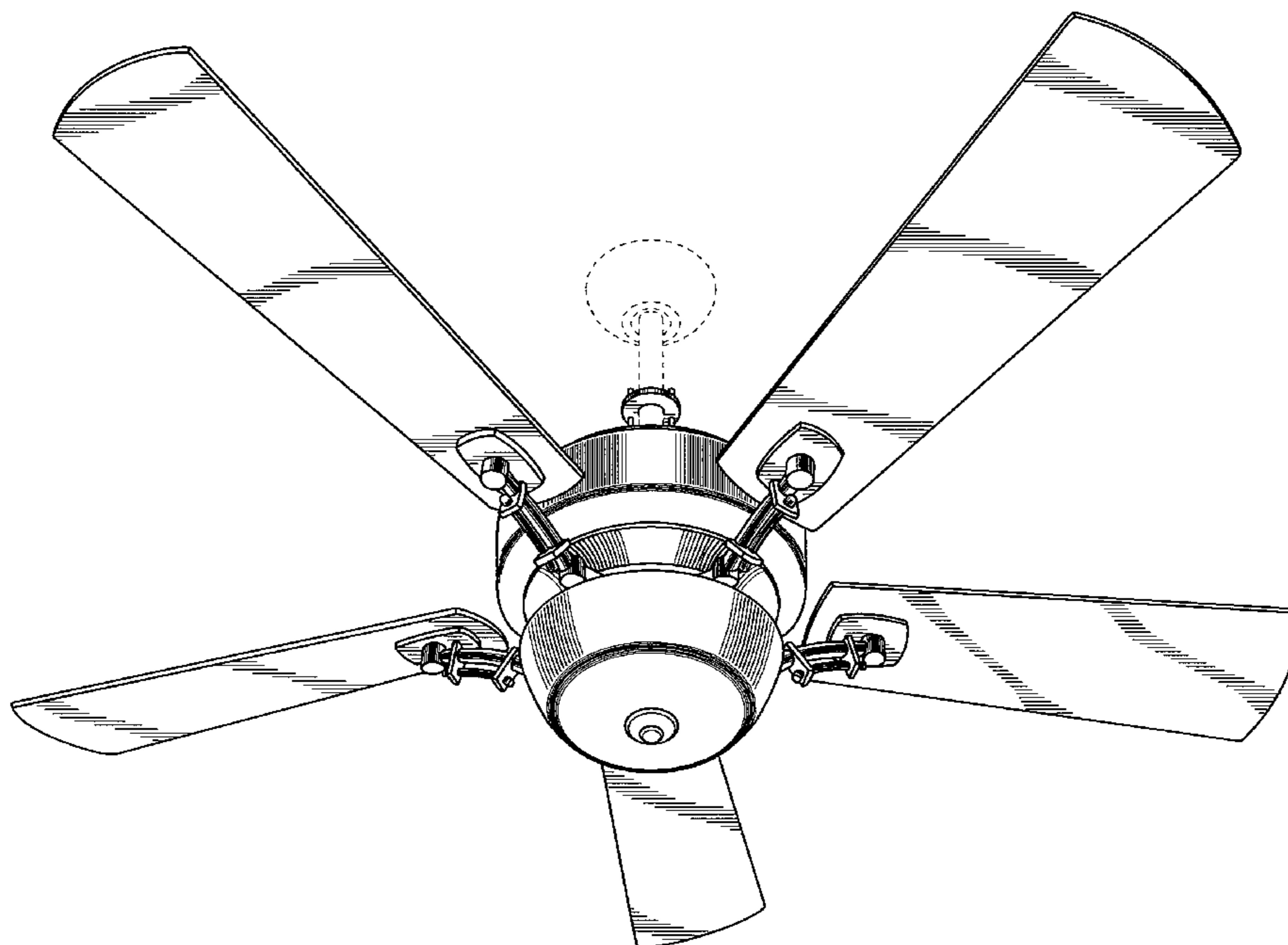
FIG. 4 is an enlarged front elevation view of the combination ceiling fan and light fixture in accordance with my design;

FIG. 5 is an enlarged back elevation view of the combination ceiling fan and light fixture in accordance with my design; and,

FIG. 6 is an enlarged side elevation view of the combination ceiling fan and light fixture in accordance with my design, the opposite side view being a mirror image of that shown except for the position of the fan blades.

The broken line showing a canopy and support pole is included for the purpose of illustrating environmental structure and forms no part of the claimed design.

**1 Claim, 6 Drawing Sheets**



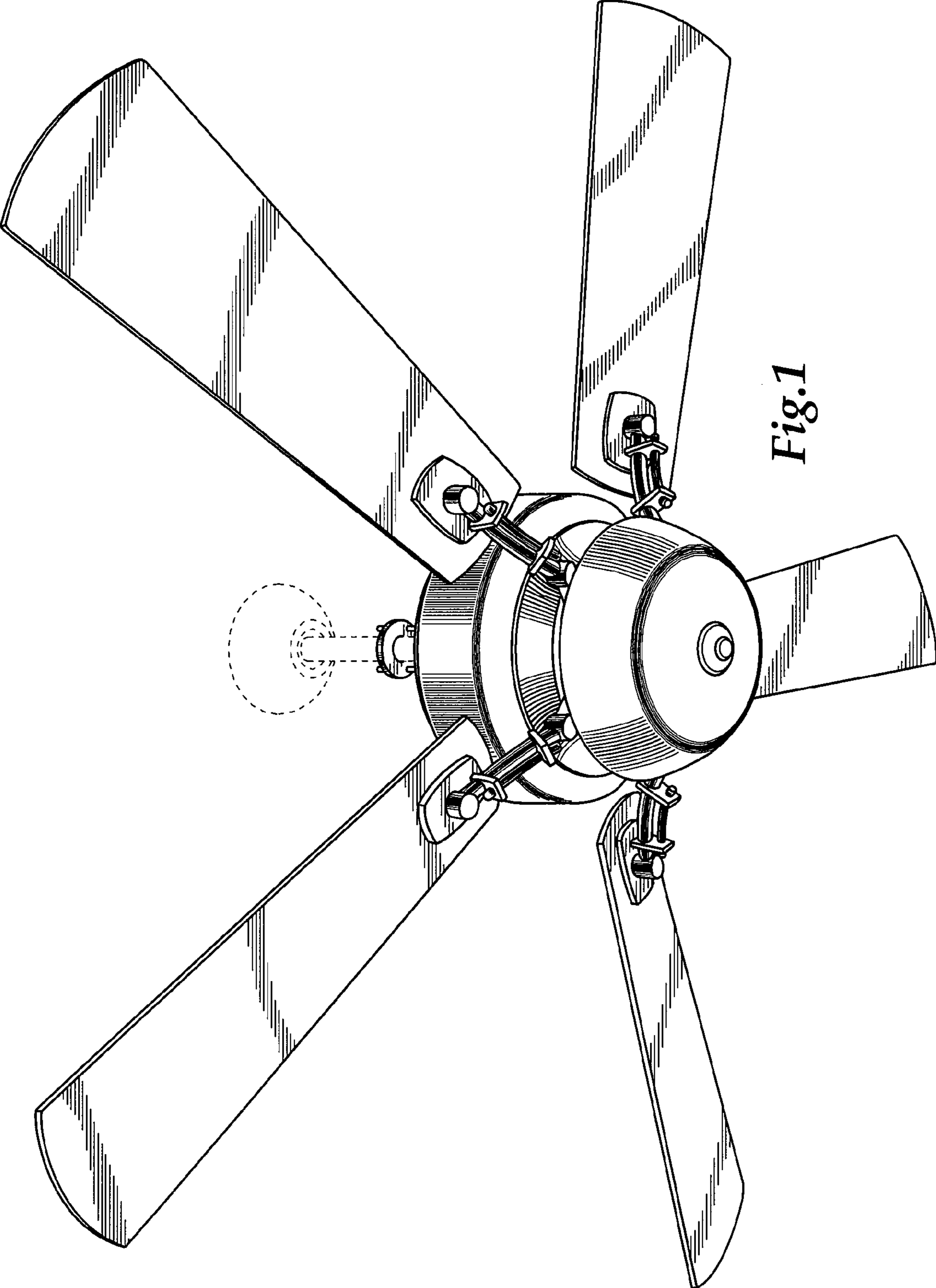
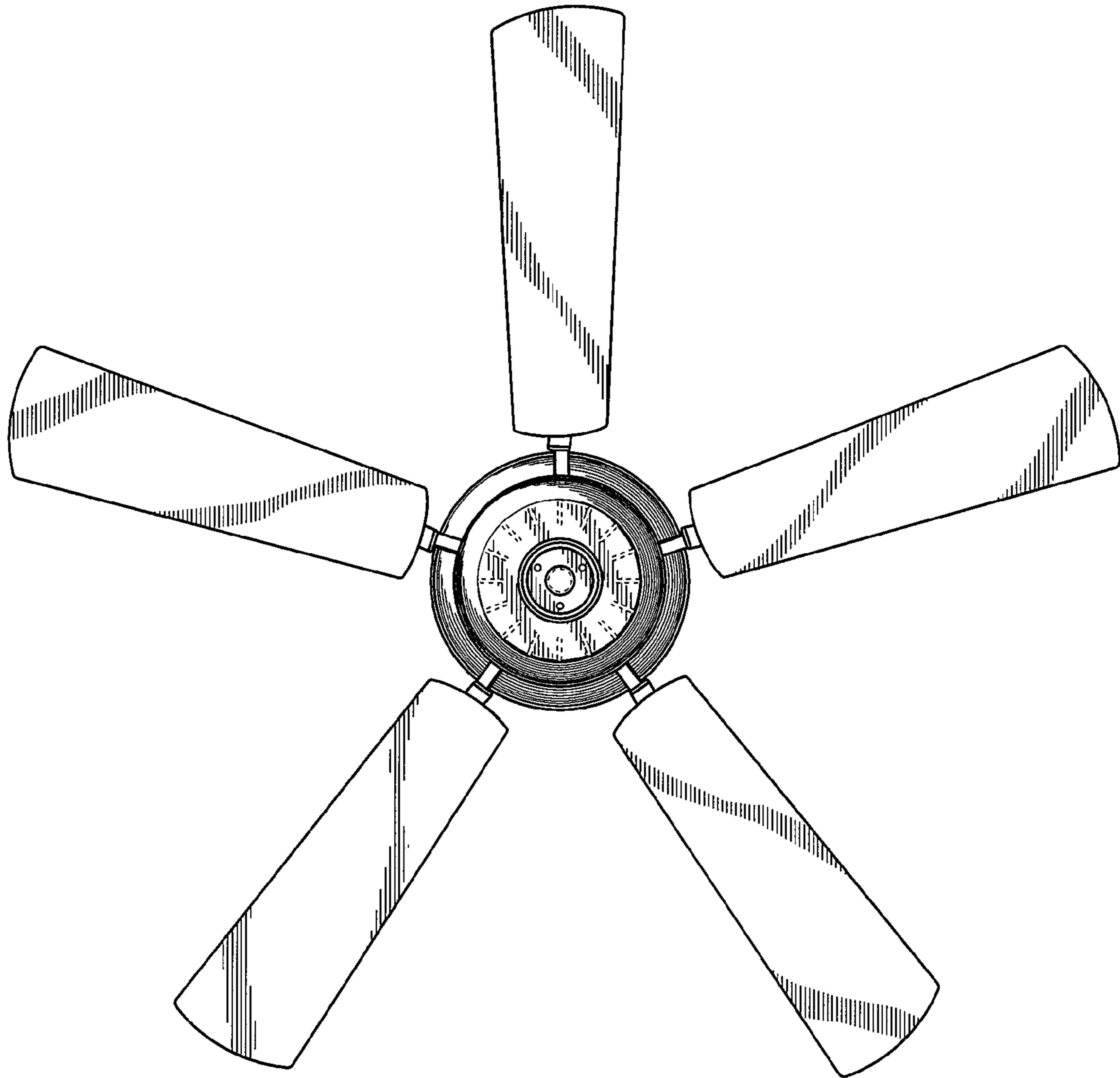
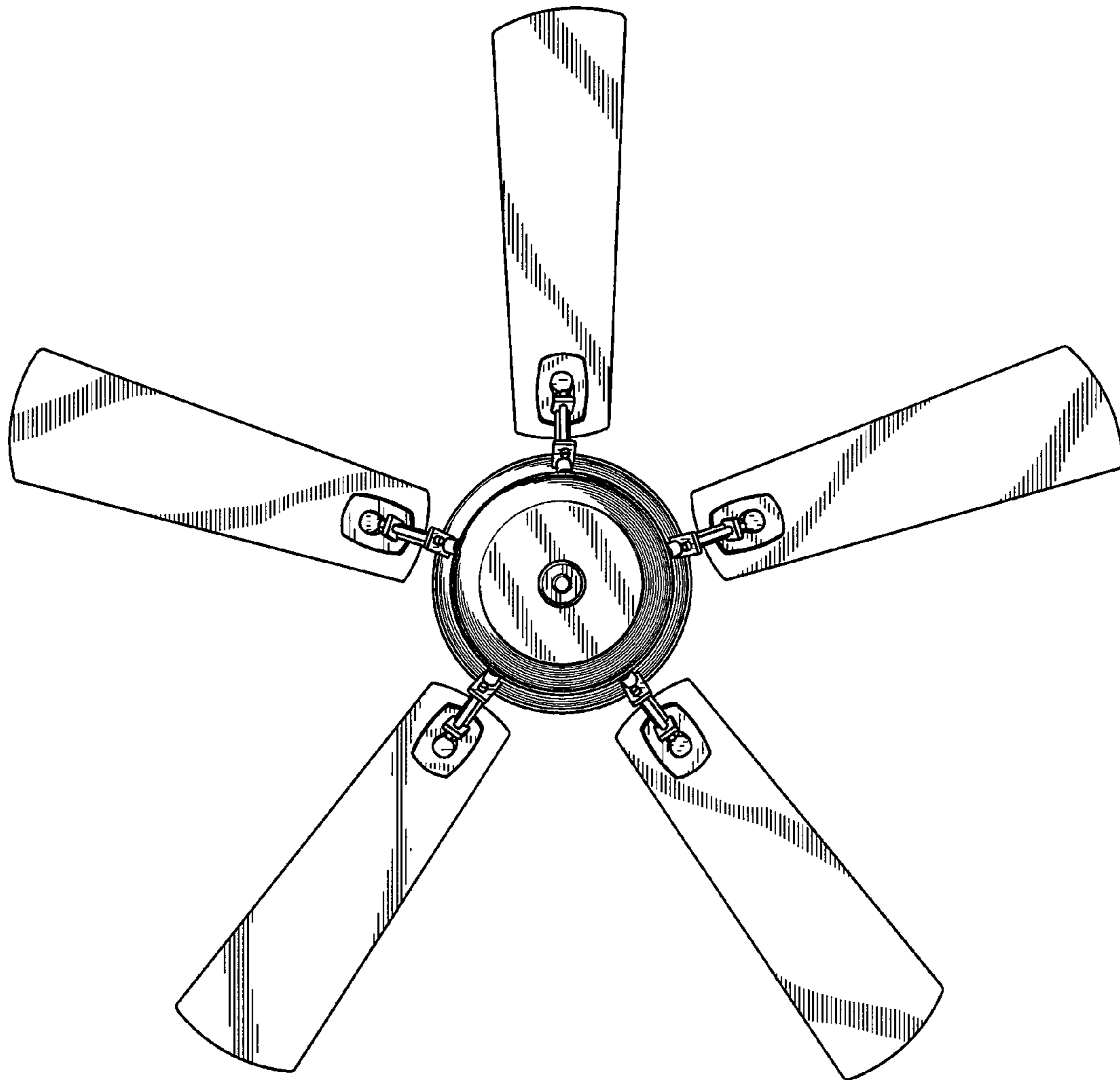


Fig.1



*Fig.2*



*Fig.3*

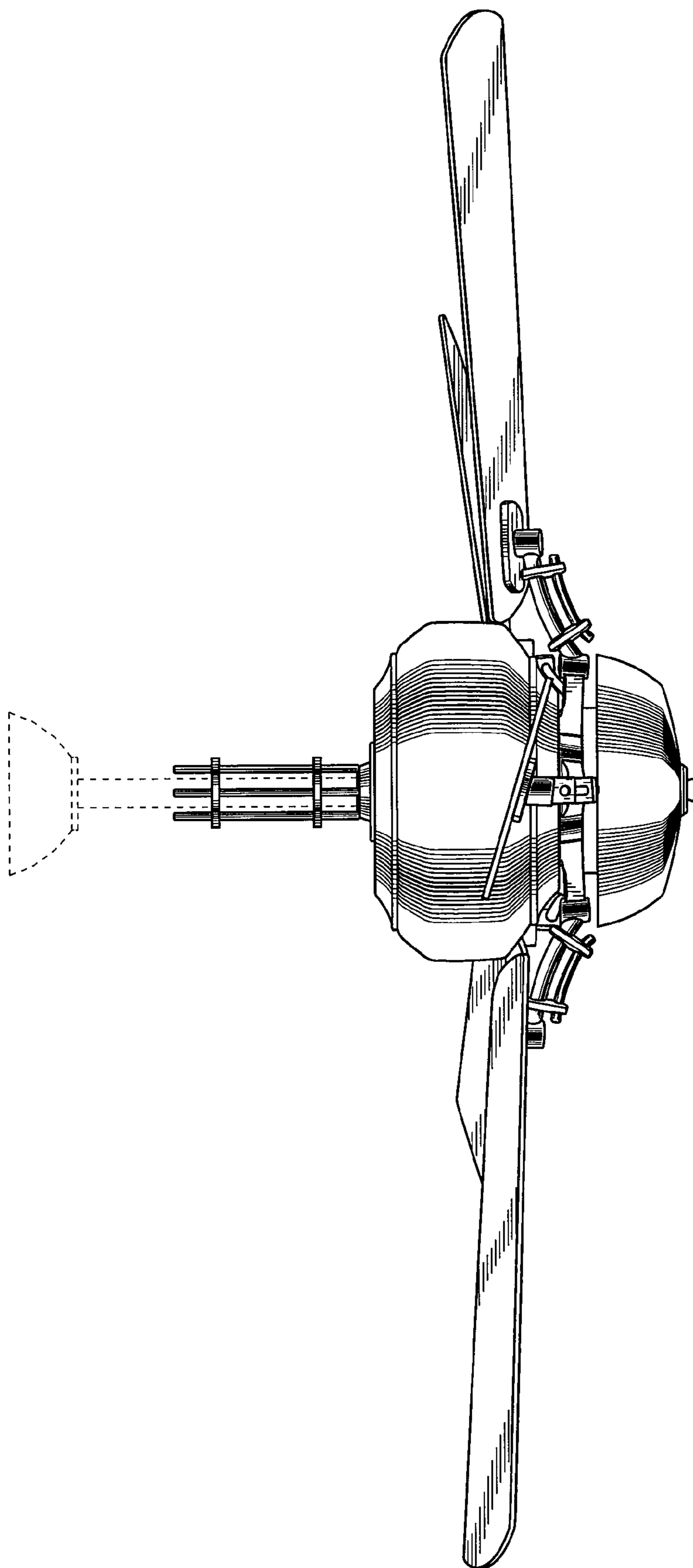


Fig.4

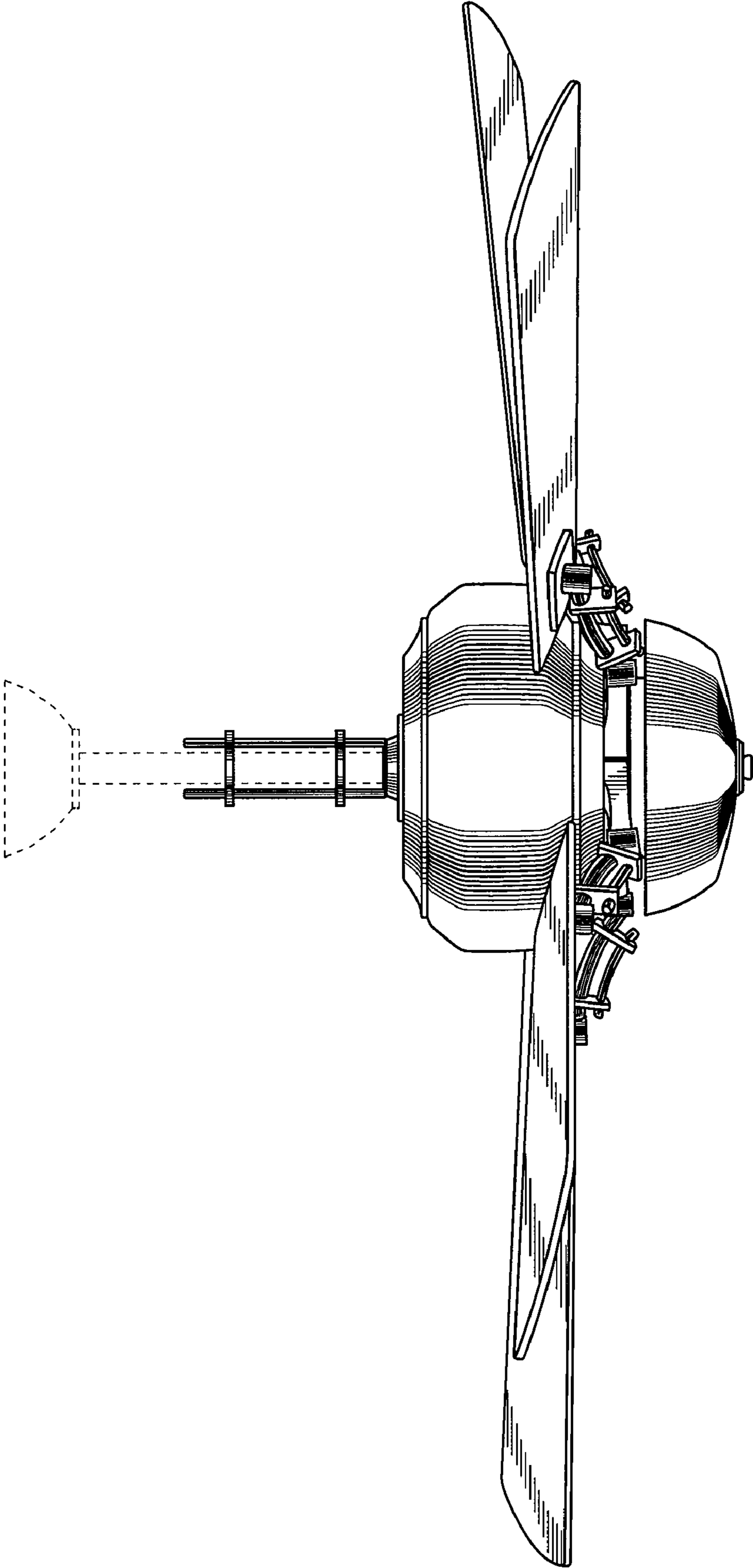


Fig.5

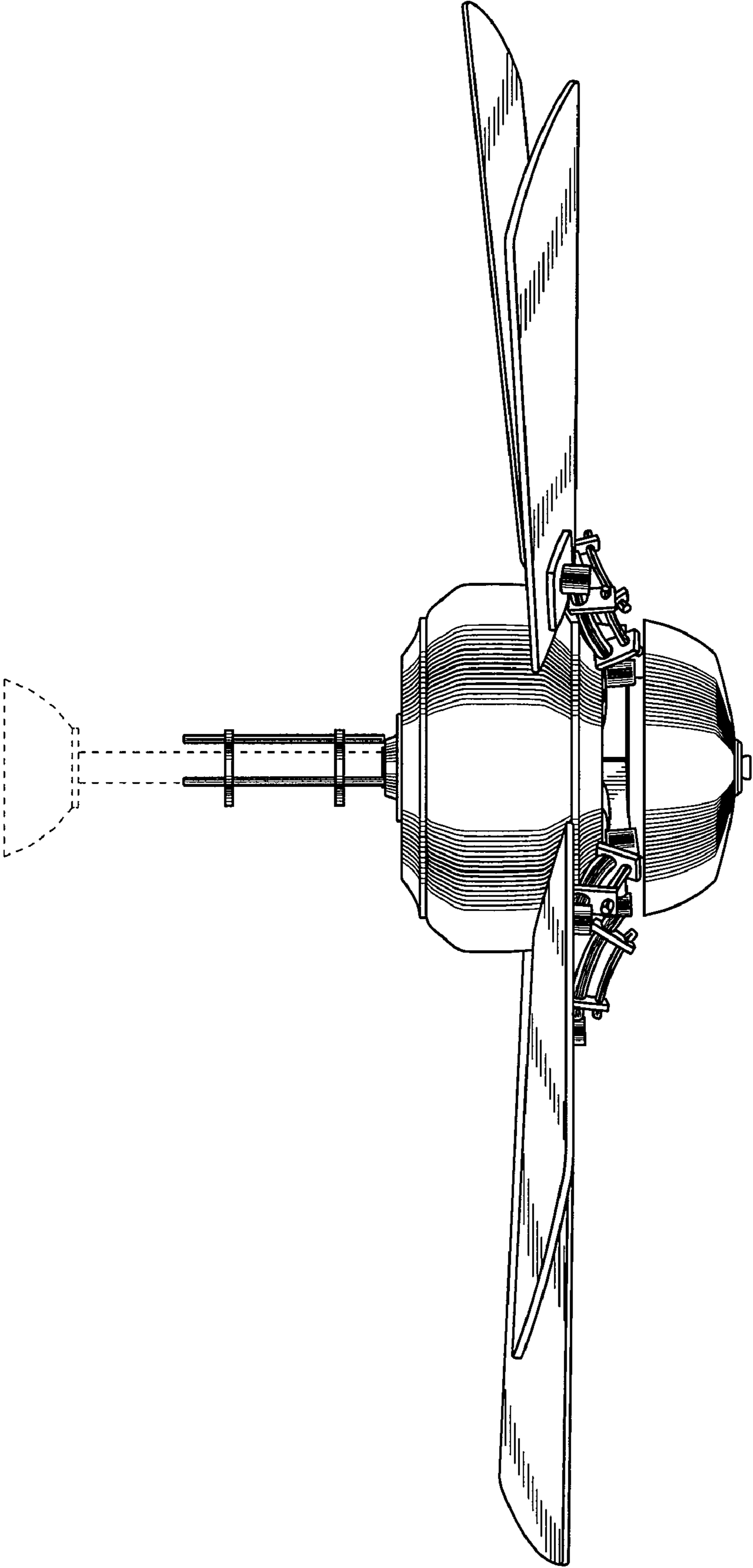


Fig.6