



US00D598530S

(12) **United States Design Patent**
Whitehead et al.

(10) **Patent No.:** **US D598,530 S**

(45) **Date of Patent:** **** Aug. 18, 2009**

(54) **FRAGRANCE GEL CONTAINER**

(76) Inventors: **Kenneth R. Whitehead**, 385 Farmhouse La., Wind Gap, PA (US) 18091; **Ronald B. Smith**, 806 Westridge Dr., Hockessin, DE (US) 19707

(**) Term: **14 Years**

(21) Appl. No.: **29/331,050**

(22) Filed: **Jan. 19, 2009**

D383,377 S *	9/1997	Sellers	D8/374
5,695,692 A *	12/1997	Kennedy	261/30
D391,445 S *	3/1998	Toth et al.	D7/554.2
D391,449 S *	3/1998	Toth et al.	D7/554.2
D399,945 S *	10/1998	Bonomo et al.	D23/369
D404,807 S *	1/1999	Nepsund et al.	D23/365
D418,375 S *	1/2000	Goodman et al.	D7/624.1
D463,541 S *	9/2002	Thomas	D23/365
D491,257 S *	6/2004	Picken, Jr.	D23/366
D504,248 S *	4/2005	Wagner	D6/403
D504,249 S *	4/2005	Wagner	D6/403
D505,564 S *	5/2005	Wagner	D6/403
D581,726 S *	12/2008	Shamoon	D7/388

(51) **LOC (9) Cl.** **28-99**

(52) **U.S. Cl.** **D23/366**

(58) **Field of Classification Search** D23/355-369; 261/DIG. 17, DIG. 42, DIG. 65, DIG. 88, 261/DIG. 89; 239/34-37, 44, 45, 53, 54, 239/57, 60, 136, 152, 302, 326; 392/386, 392/390, 392, 394, 395; D28/5, 6; D11/143, D11/146, 152; D6/529, 532; D7/624.1
See application file for complete search history.

* cited by examiner

Primary Examiner—Sandra Snapp

(74) *Attorney, Agent, or Firm*—Louis C. Paul

(57) **CLAIM**

The ornamental design for a fragrance gel container, as shown and described.

(56) **References Cited**

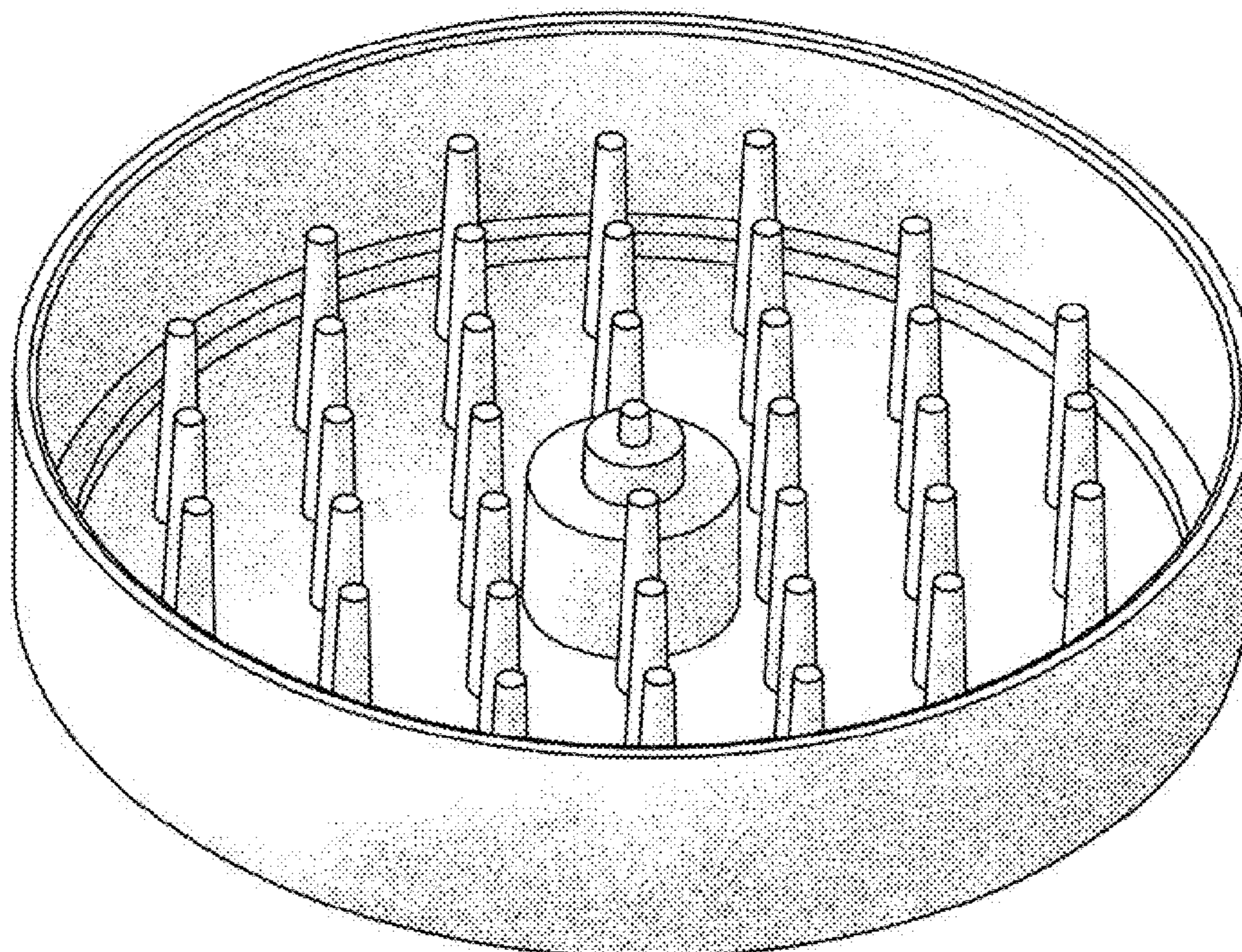
U.S. PATENT DOCUMENTS

539,698 A *	5/1895	Milligan	248/346.11
2,128,118 A *	8/1938	Burford	248/346.11
2,301,385 A *	11/1942	Ehrgott	248/346.11
2,851,713 A *	9/1958	Tupper	15/105
D229,655 S *	12/1973	Cyren	D7/624.1
3,902,877 A *	9/1975	Swaim	55/490
4,833,823 A *	5/1989	Edwards, III	47/39
D355,100 S *	2/1995	Goodman et al.	D7/624.1

DESCRIPTION

FIG. 1 is a top plan view of the present invention.
FIG. 2 is a bottom plan view of the present invention.
FIG. 3 is a left elevation side view of the present invention. The right elevation side view is a mirror image of the left elevation side view; and,
FIG. 4 is a top perspective view of the present invention.

1 Claim, 4 Drawing Sheets



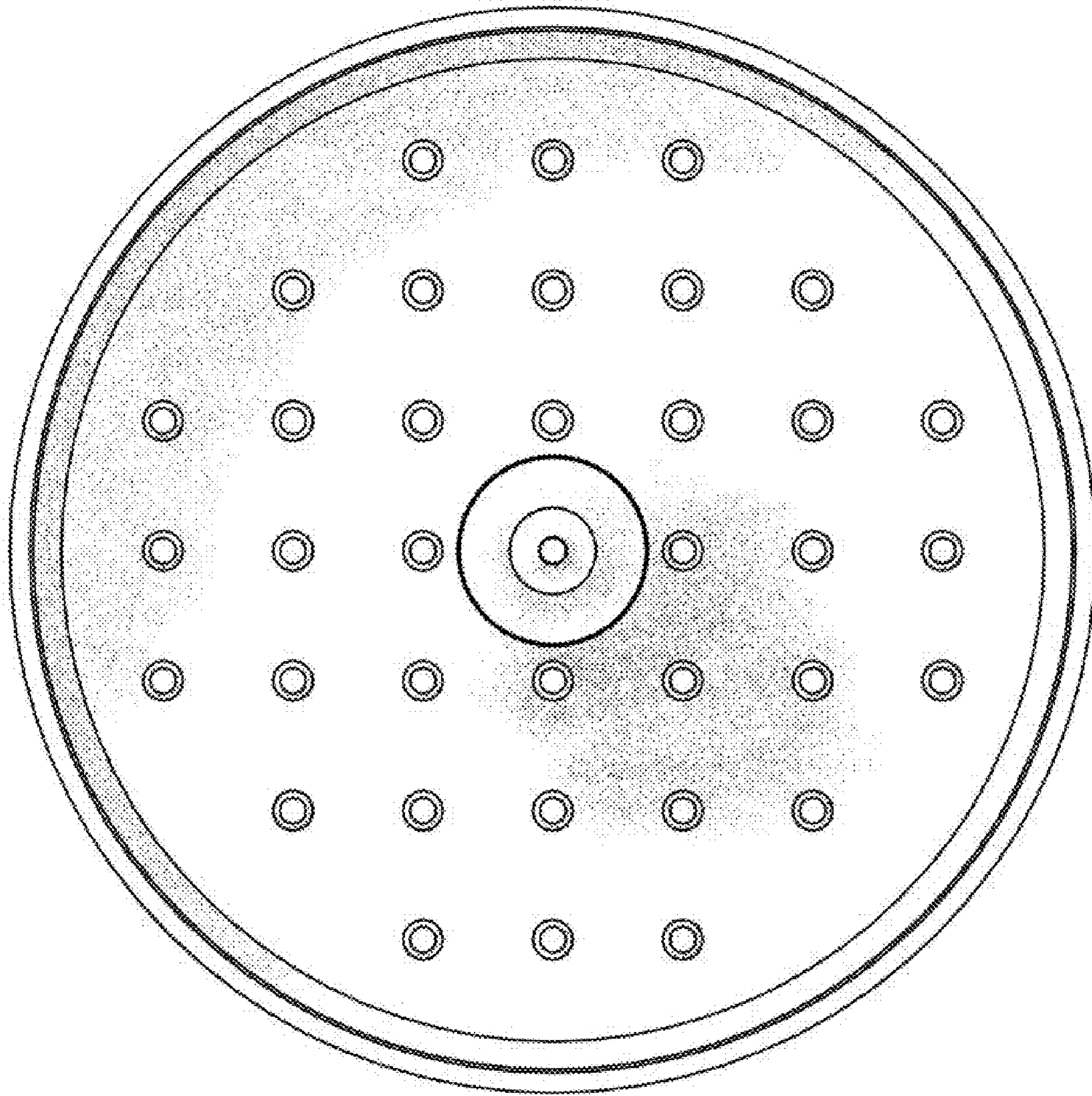


FIG. 1

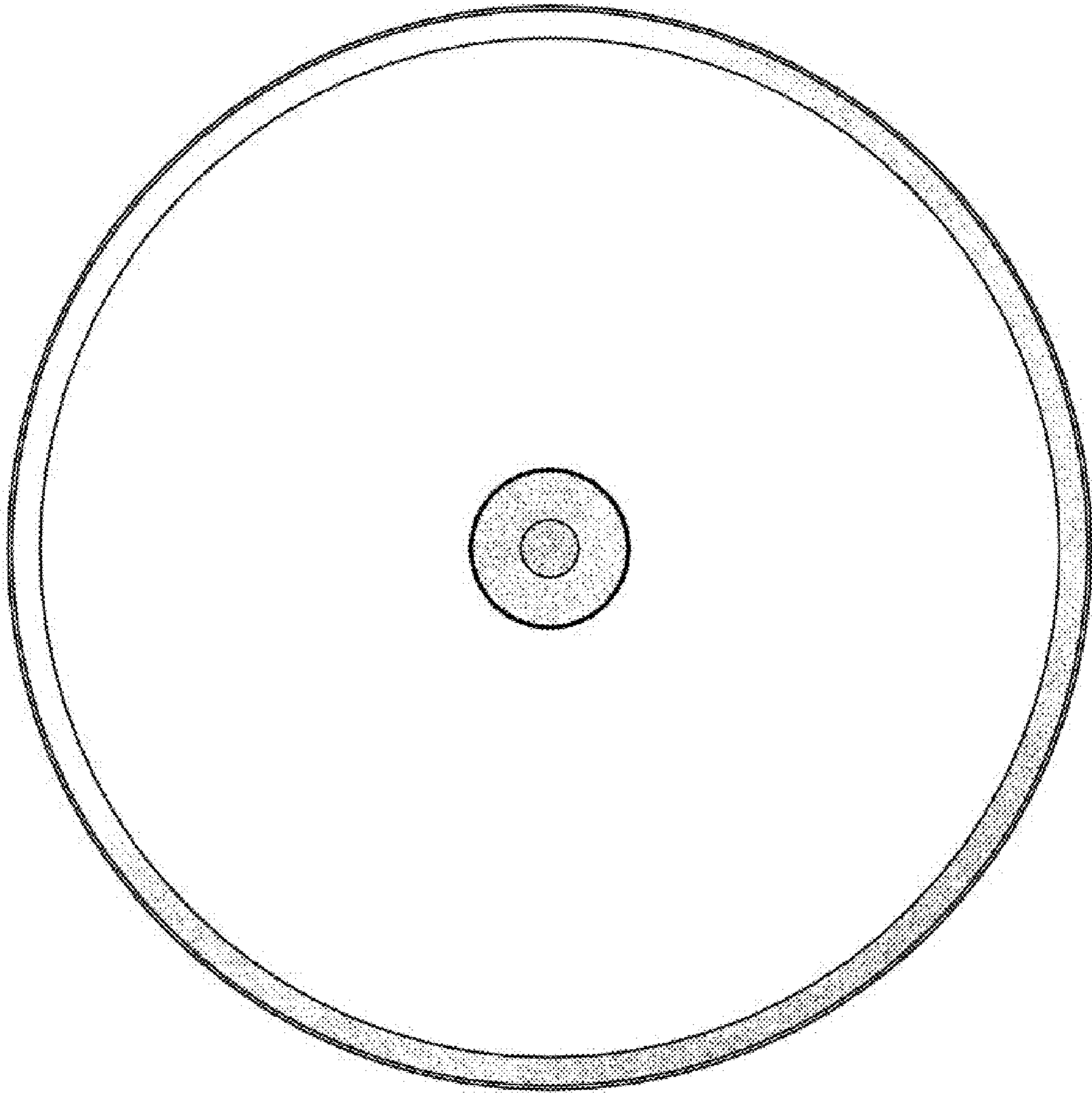


FIG. 2

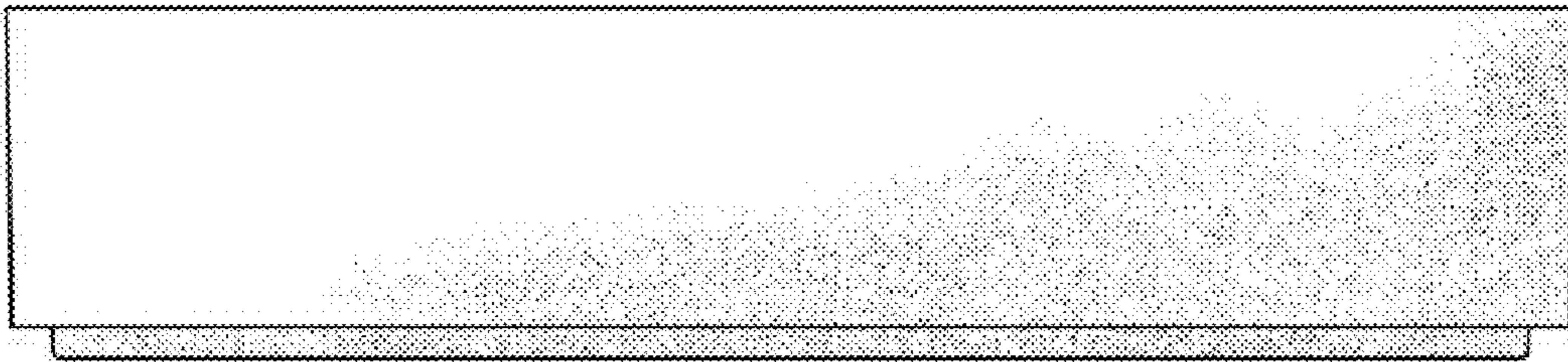


FIG. 3

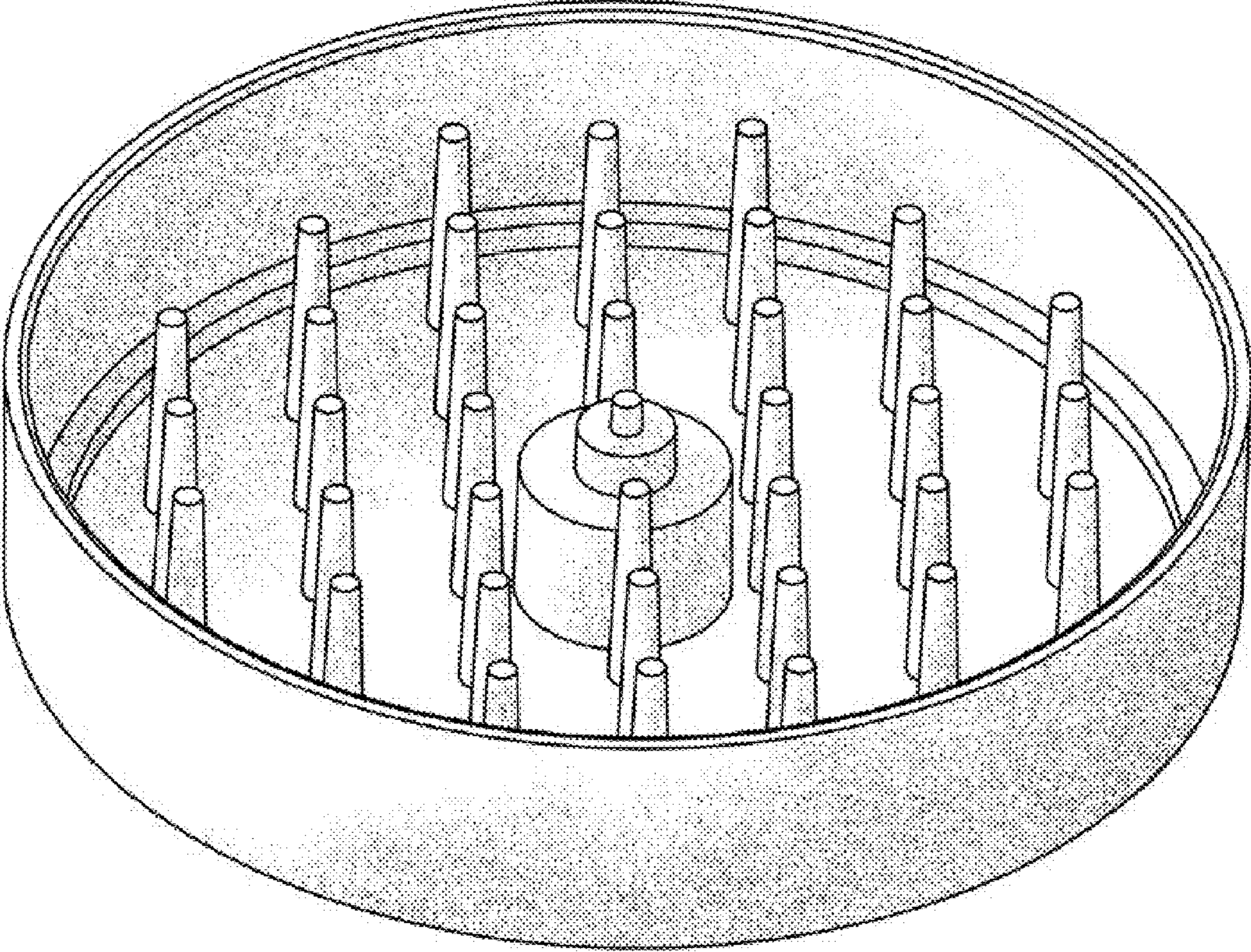


FIG. 4