



US00D598529S

(12) **United States Design Patent**
Mah et al.

(10) **Patent No.:** **US D598,529 S**

(45) **Date of Patent:** **** Aug. 18, 2009**

(54) **MANUAL ODOR REMOVER**

(75) Inventors: **Pat Y. Mah**, Kowloon (HK); **Alexander Joseph Kalogroulis**, Coulsdon (GB)

(73) Assignee: **Daka Research Inc. (Br. Virg. Isl Corp.) Offshore Incorporations**, Tortolla (VG)

(**) Term: **14 Years**

(21) Appl. No.: **29/310,458**

(22) Filed: **Aug. 18, 2008**

(51) **LOC (9) Cl.** **28-99**

(52) **U.S. Cl.** **D23/366**

(58) **Field of Classification Search** D23/355-369;
261/DIG. 17, DIG. 42, DIG. 65, DIG. 88,
261/DIG. 89; 239/34-37, 44, 45, 53, 54,
239/57, 60, 136, 152, 302, 326; 392/386,
392/390, 392, 394, 395; D28/5, 6

See application file for complete search history.

(56) **References Cited**

U.S. PATENT DOCUMENTS

D247,573 S * 3/1978 Schimanski D23/366
D258,511 S * 3/1981 Ashton D19/90

D514,679 S * 2/2006 Wheatley D23/366
D530,806 S * 10/2006 Holquin-Remolina D23/364
7,137,570 B2 * 11/2006 Wheatley et al. 239/32
7,159,792 B2 * 1/2007 Wheatley et al. 239/6
7,293,719 B2 * 11/2007 Wheatley et al. 239/56
D564,650 S * 3/2008 Hasik et al. D23/366
2004/0169091 A1 * 9/2004 Wheatley et al. 239/6

* cited by examiner

Primary Examiner—Sandra Snapp

(74) *Attorney, Agent, or Firm*—Curtis L. Harrington; Kathy E. Harrington; Harrington & Harrington

(57) **CLAIM**

The ornamental design for a manual odor remover, as shown and described.

DESCRIPTION

FIG. 1 is a perspective view of the manual odor remover;
FIG. 2 is a right side elevation which is identical to a left side elevation thereof;
FIG. 3 is a front elevation view which is identical to a rear elevation view;
FIG. 4 is a top plan view; and,
FIG. 5 is a bottom plan view.

1 Claim, 1 Drawing Sheet

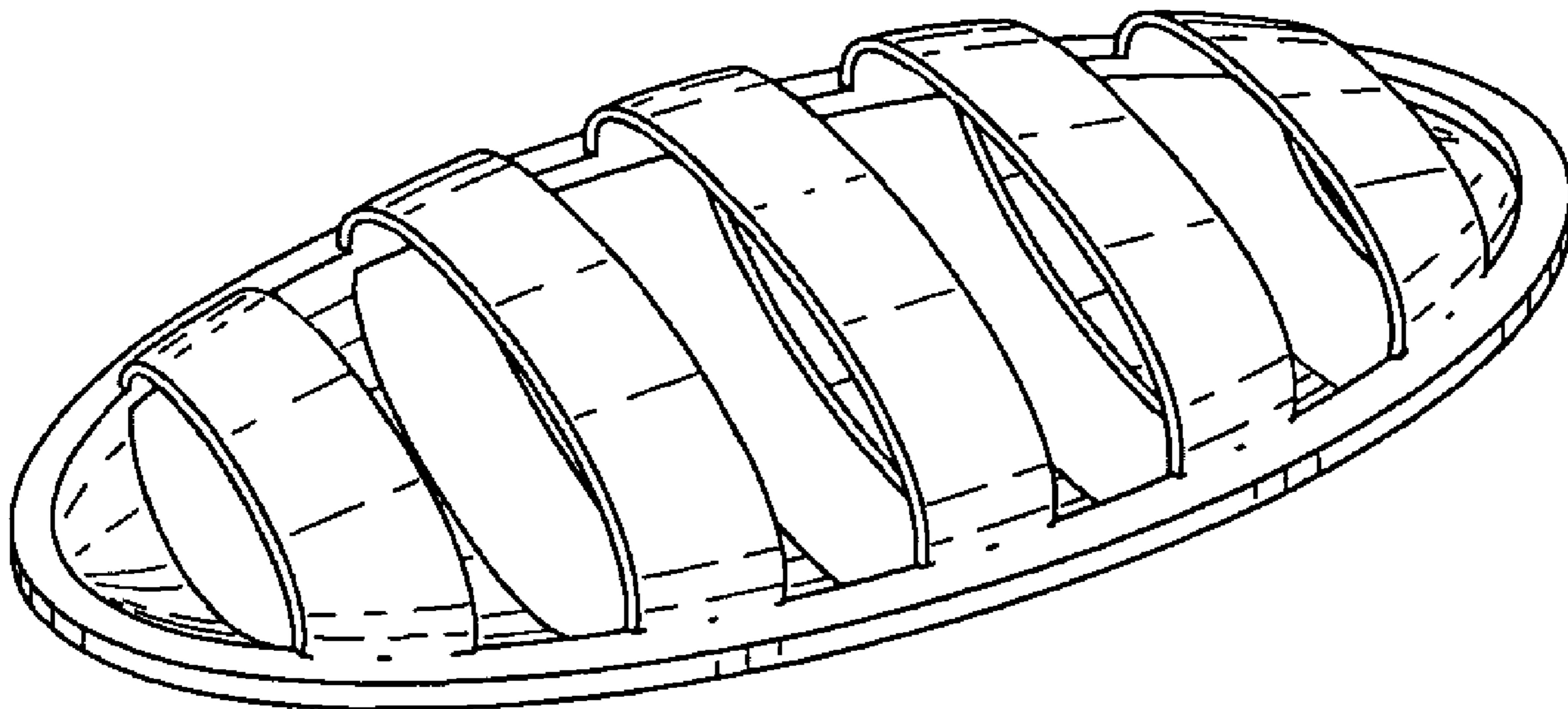


Fig. 1

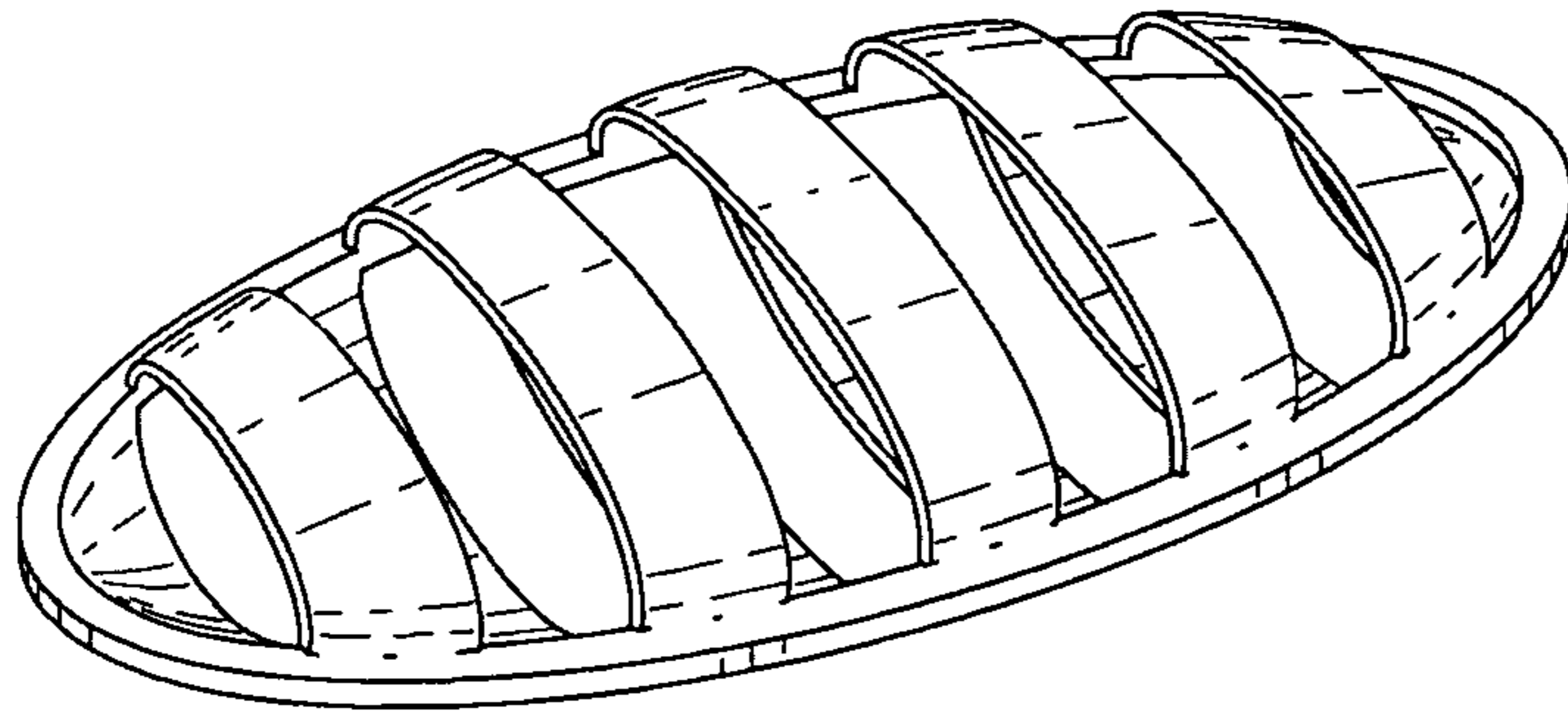


Fig. 2

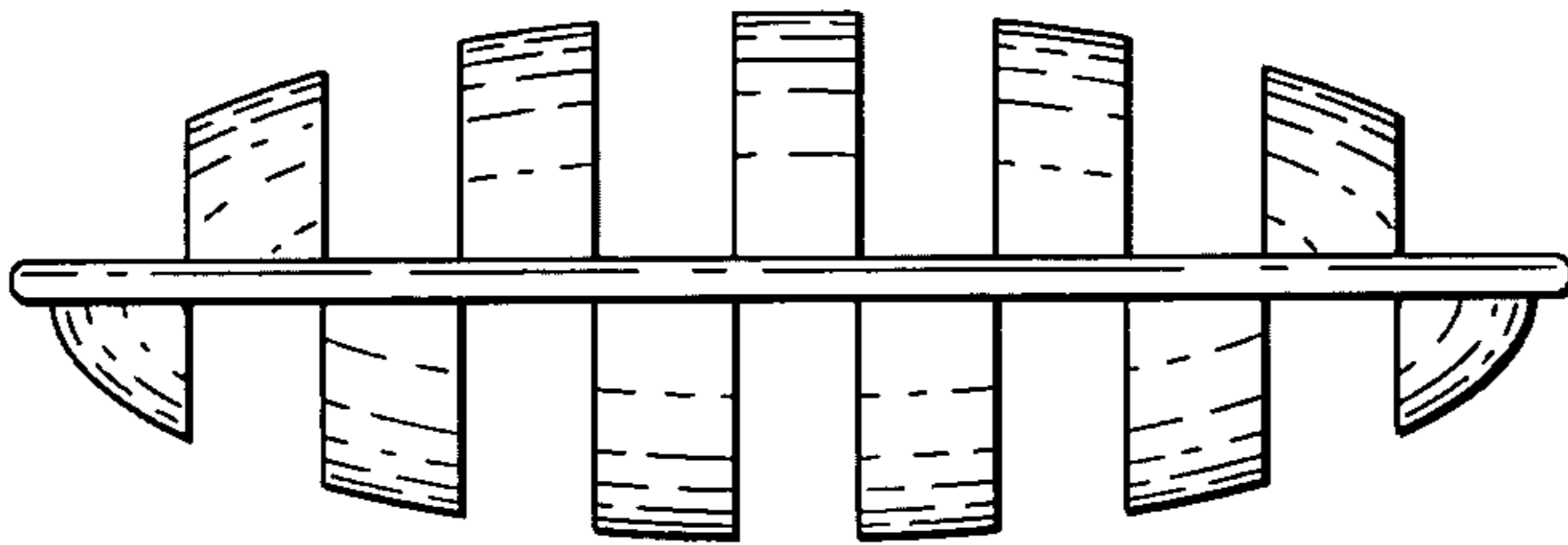


Fig. 3

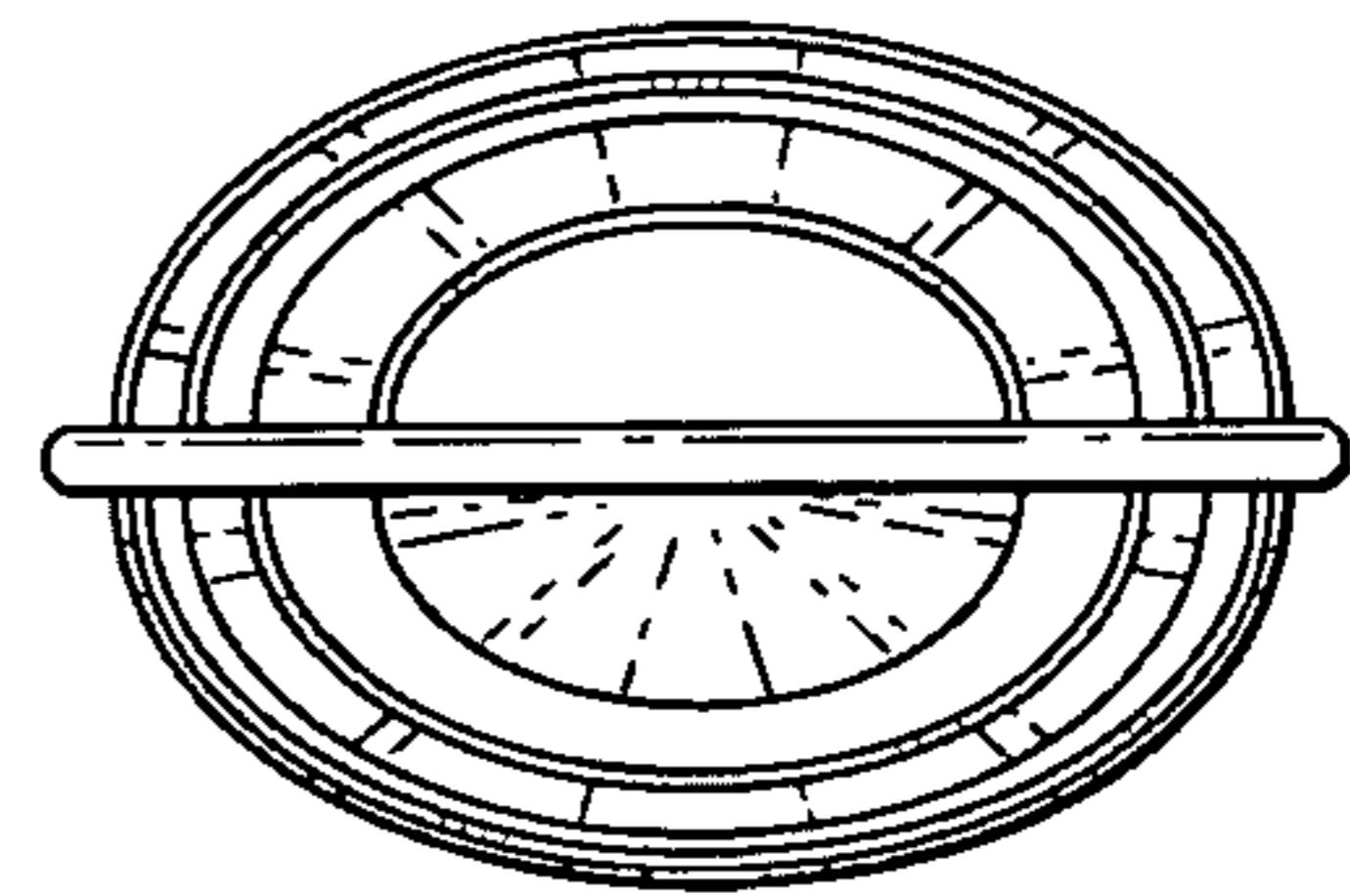


Fig. 5

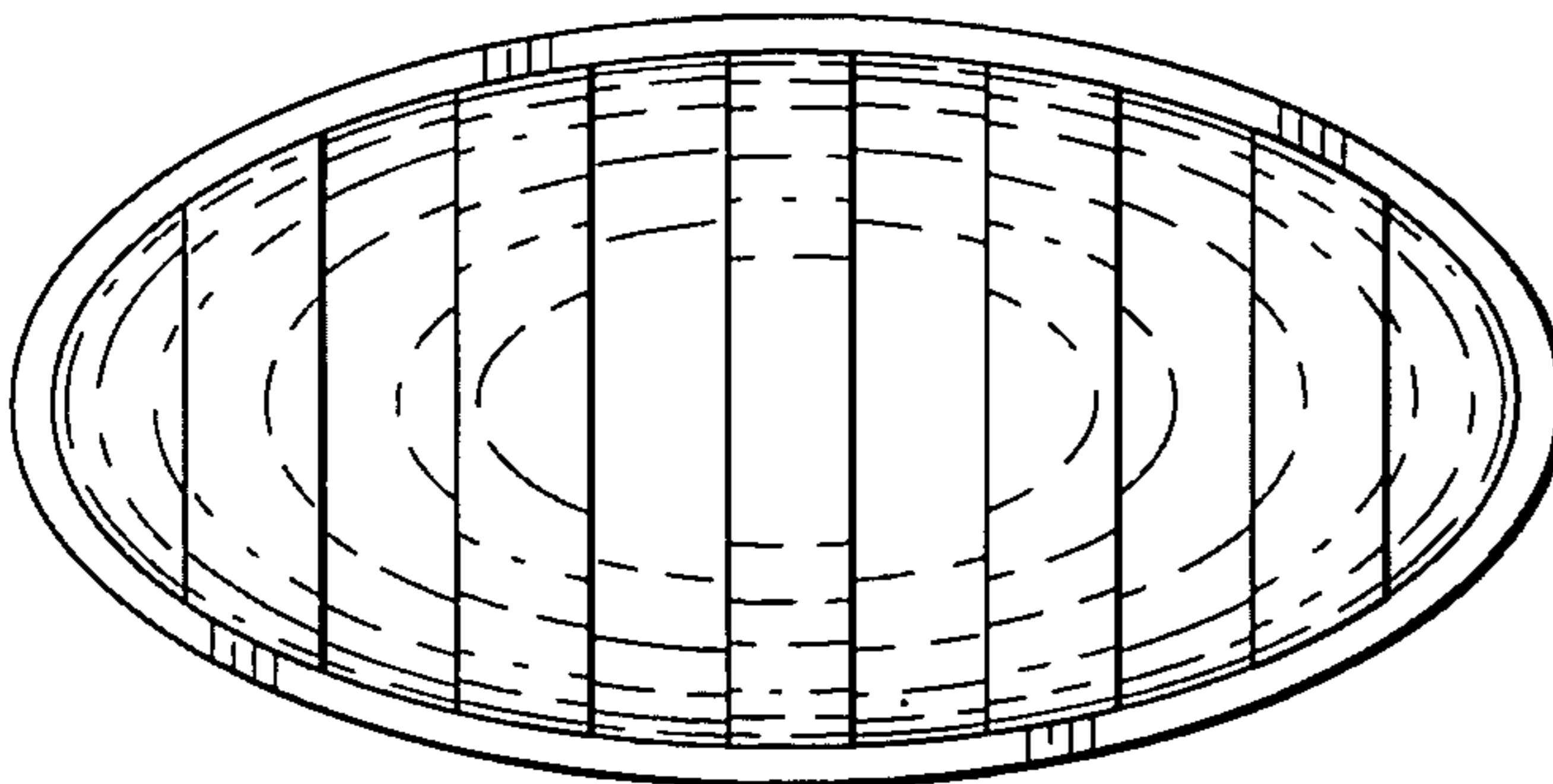


Fig. 4

